



US00D861746S

(12) **United States Design Patent** (10) **Patent No.:** **US D861,746 S**
Clark, III et al. (45) **Date of Patent:** **** Oct. 1, 2019**

(54) **PRINTER**

(71) Applicant: **XEROX CORPORATION**, Norwalk, CT (US)

(72) Inventors: **William T Clark, III**, Pittsford, NY (US); **Michael F Leo**, Penfield, NY (US); **Stephen F Skrainar**, Penfield, NY (US); **Donald A Brown**, Honeoye Falls, NY (US); **David M Parsons**, Victor, NY (US)

(73) Assignee: **Xerox Corporation**, Norwalk, CT (US)

(**) Term: **15 Years**

(21) Appl. No.: **29/603,470**

(22) Filed: **May 10, 2017**

(51) **LOC (12) Cl.** **15-09**

(52) **U.S. Cl.**
USPC **D15/122**

(58) **Field of Classification Search**
USPC D18/54, 56, 59, 36, 38, 39, 40, 41, 45, D18/34.4, 34.5, 34.6, 50-53; D14/301, D14/307; D15/122
CPC G06K 15/12; G06K 15/14; H04N 1/00204; H04N 1/00249; H04N 1/00278; B41J 3/00; B41J 3/28; B41J 3/445; B41J 3/46
See application file for complete search history.

(56) **References Cited**

U.S. PATENT DOCUMENTS

- D246,459 S * 11/1977 Olson D18/40
- D265,909 S * 8/1982 Hatanaka 241/285.1
- D556,250 S * 11/2007 Kent D18/34.6
- D598,048 S * 8/2009 Holderfield D18/34.9
- D679,319 S * 4/2013 Romanovich D18/34.5
- D750,163 S * 2/2016 Arima D18/50
- D772,976 S * 11/2016 Stout D18/53

- D801,401 S * 10/2017 Clark, III D15/122
- D808,453 S * 1/2018 Share D15/199
- D836,714 S * 12/2018 Clark, III D18/57
- 2014/0205356 A1 * 7/2014 Mistyurik B41J 3/4075
400/613
- 2017/0120524 A1 * 5/2017 Liu B33Y 30/00

FOREIGN PATENT DOCUMENTS

WO WO-2011110609 A1 * 9/2011 G06F 3/1204

OTHER PUBLICATIONS

Xerox Newsroom. Link: <https://www.news.xerox.com/news/Xerox-takes-360-degree-printing-on-objects-to-PACK-EXPO-2017>. Sep. 25, 2017. Personalization Takes 360 Turn with Xerox at PACK Expo _ Xerox Newsroom. (Year: 2017).*

* cited by examiner

Primary Examiner — Susan Moon Lee
Assistant Examiner — Lauren D McVey

(57) **CLAIM**

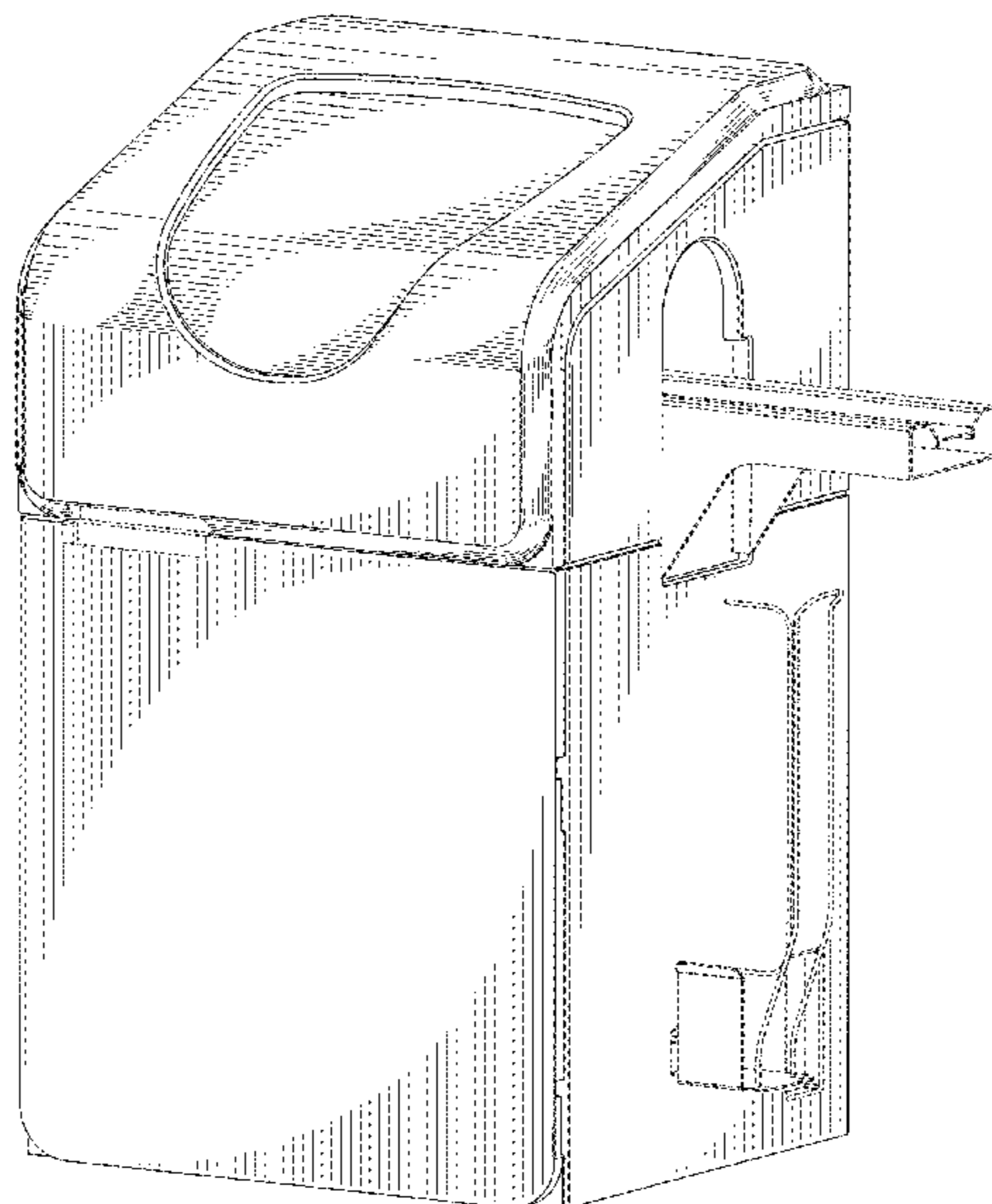
The ornamental design for a printer, as shown and described.

DESCRIPTION

FIG. 1 is a perspective view of a printer in accordance with the present invention;
FIG. 2 is a front view thereof;
FIG. 3 is a right side view thereof;
FIG. 4 is a rear view thereof;
FIG. 5 is a left side view thereof;
FIG. 6 is a top plan view thereof; and,
FIG. 7 is a bottom plan view thereof.

The broken lines immediately adjacent the claim represent the bounds of the claim, while all other broken lines are directed to environment and are for illustrative purposes only; the broken lines form no part of the claimed design. In addition, the unshaded surfaces directly adjoining the solid line claimed edge form no part of the claimed design.

1 Claim, 6 Drawing Sheets



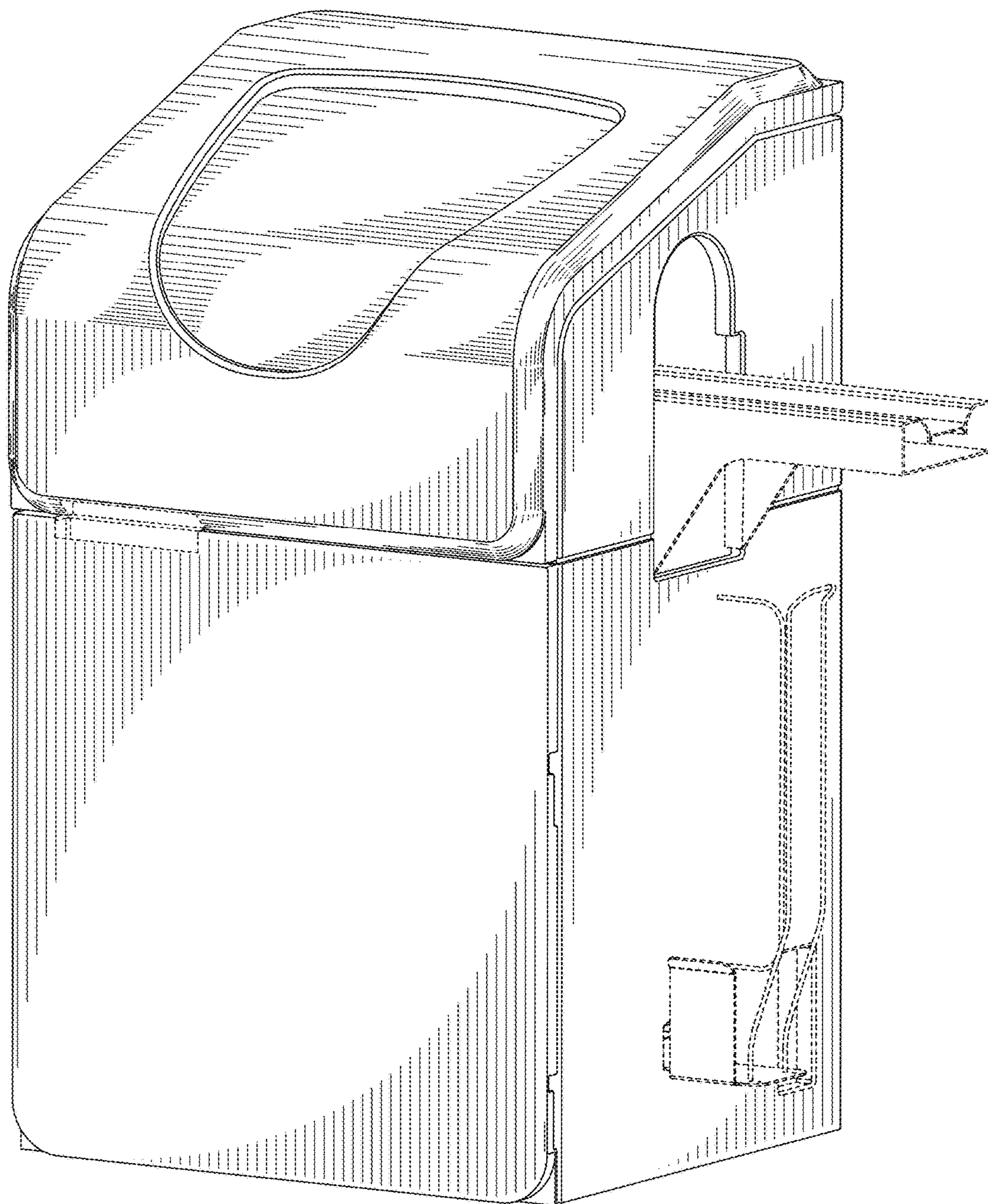


FIG. 1

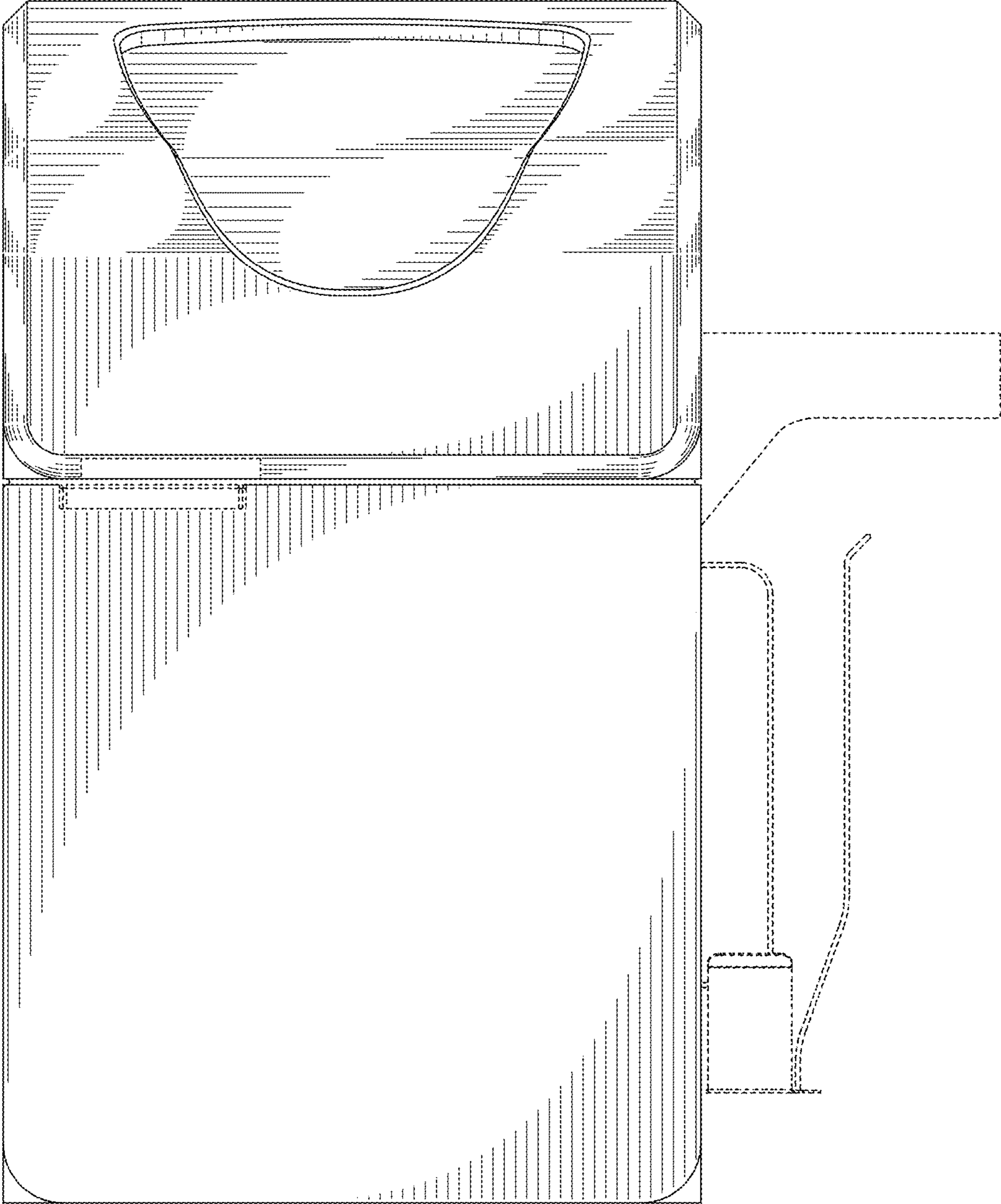


FIG. 2

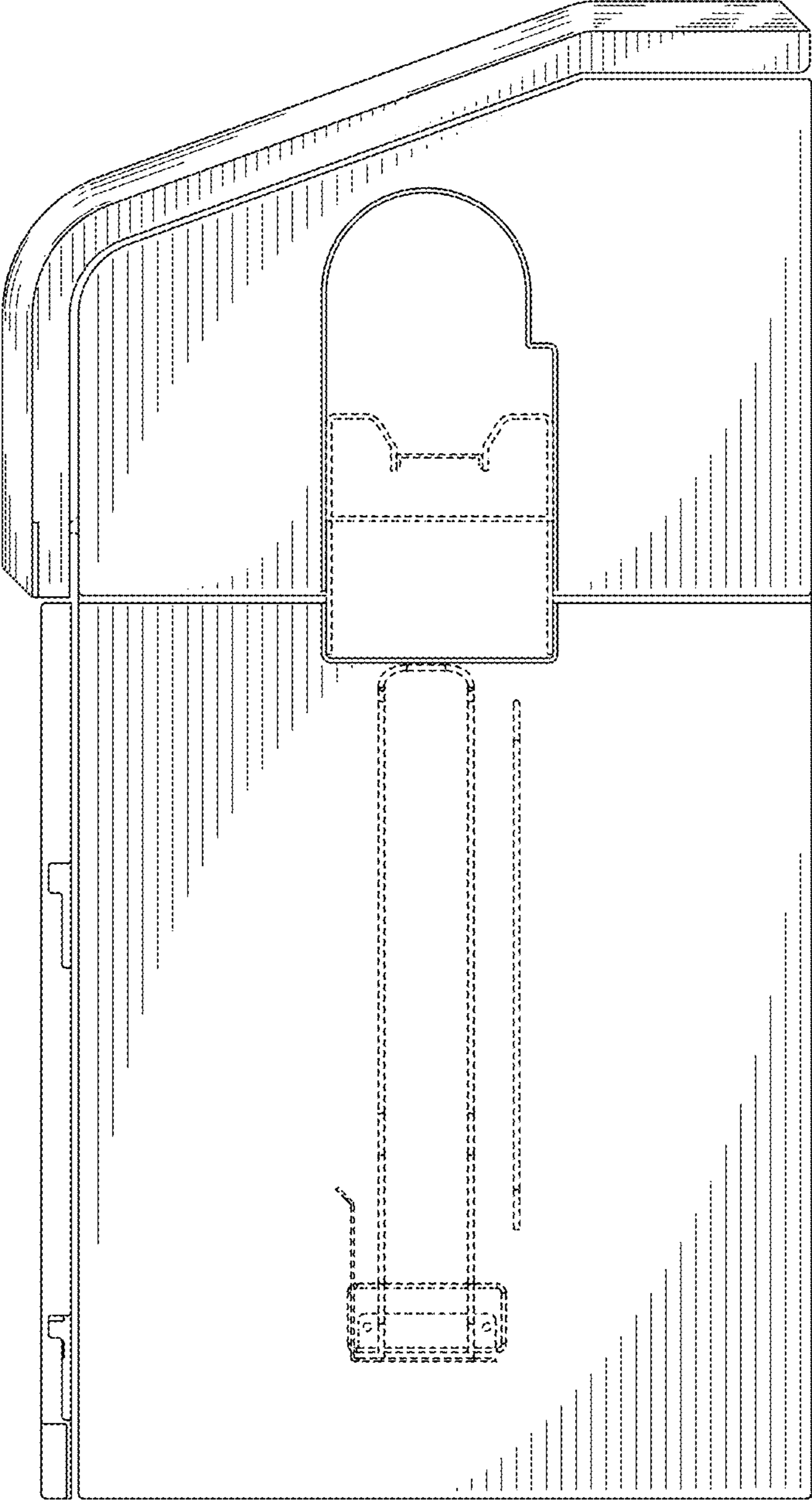


FIG. 3

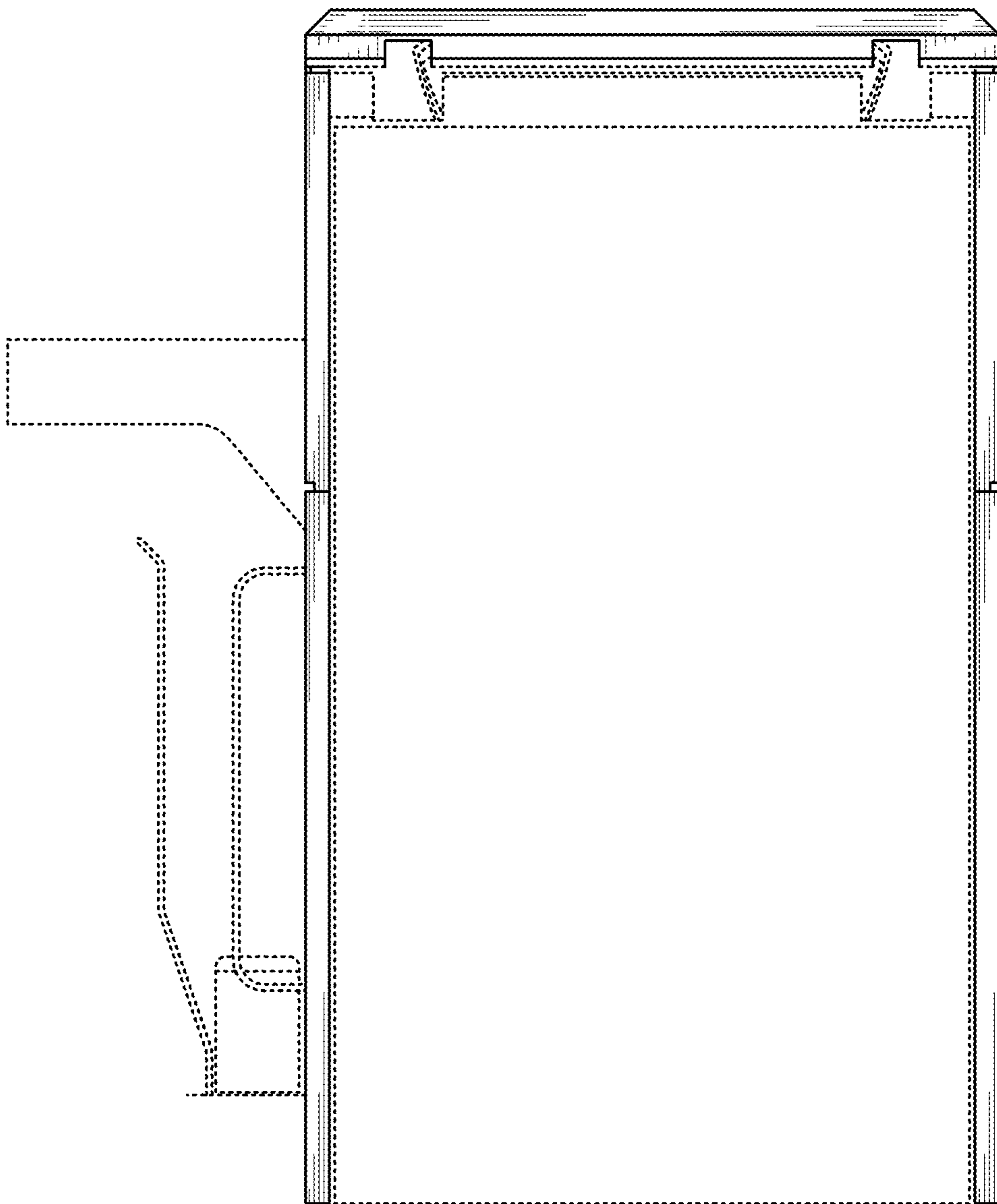


FIG. 4

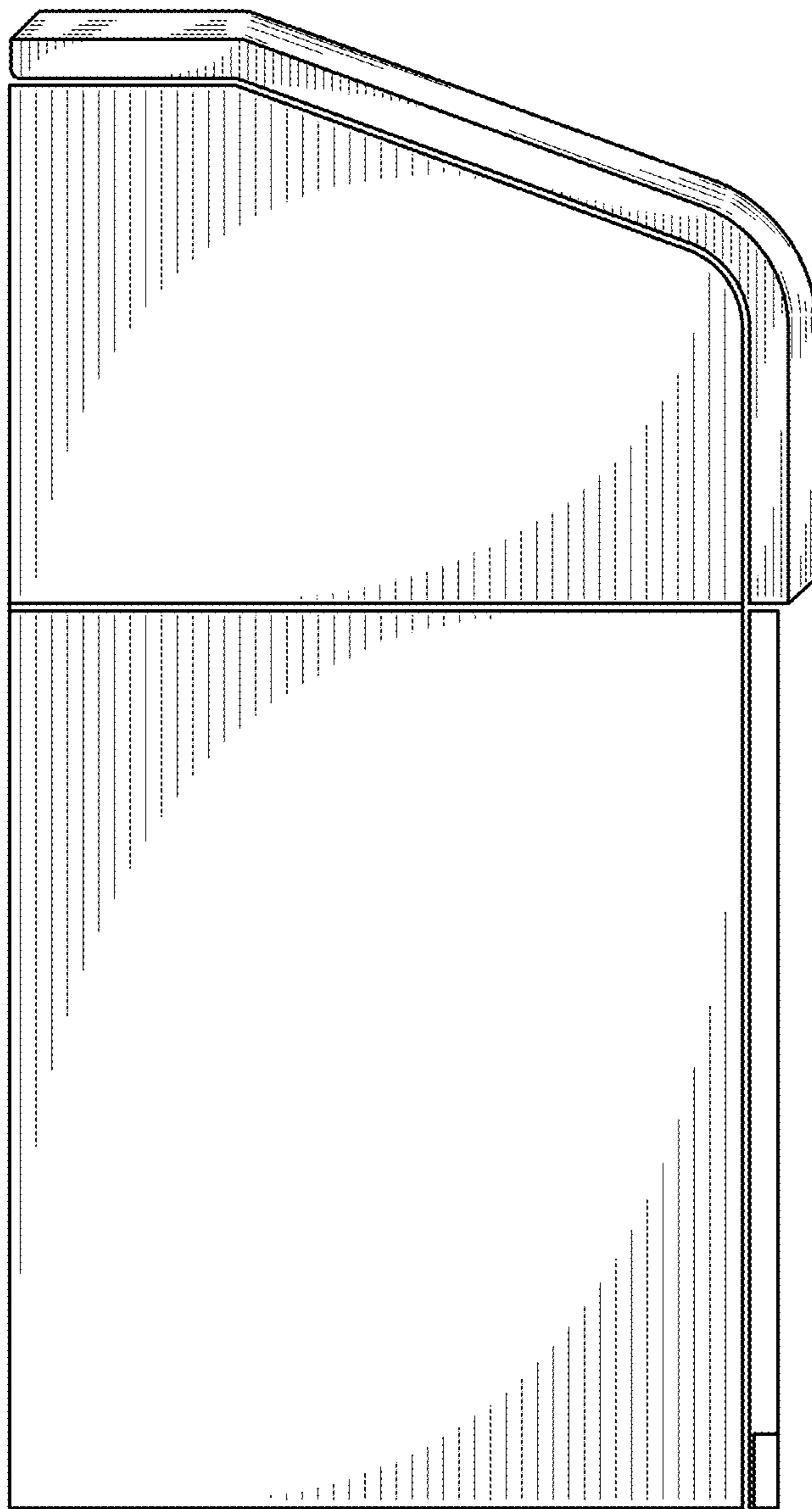


FIG. 5

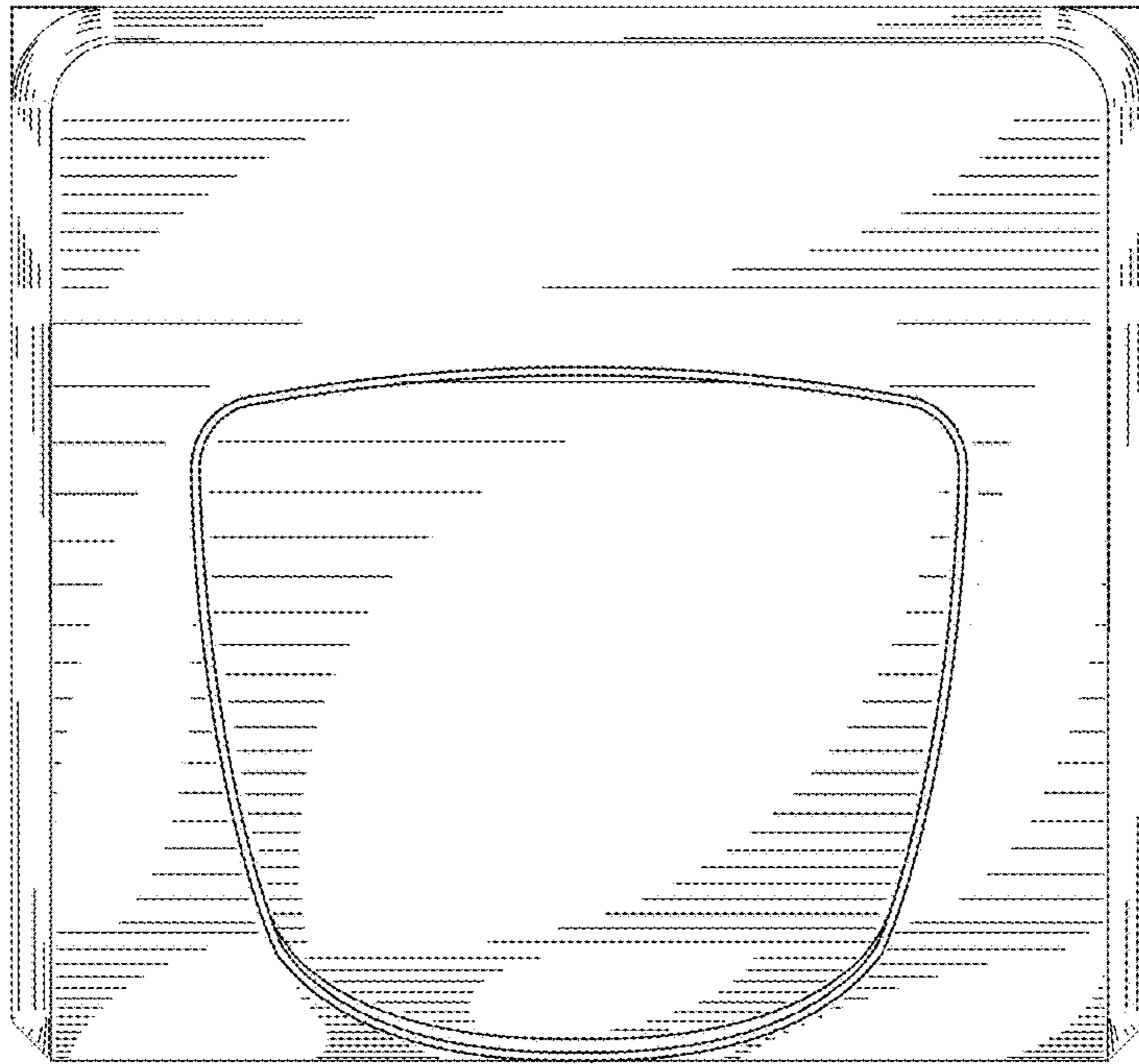


FIG. 6

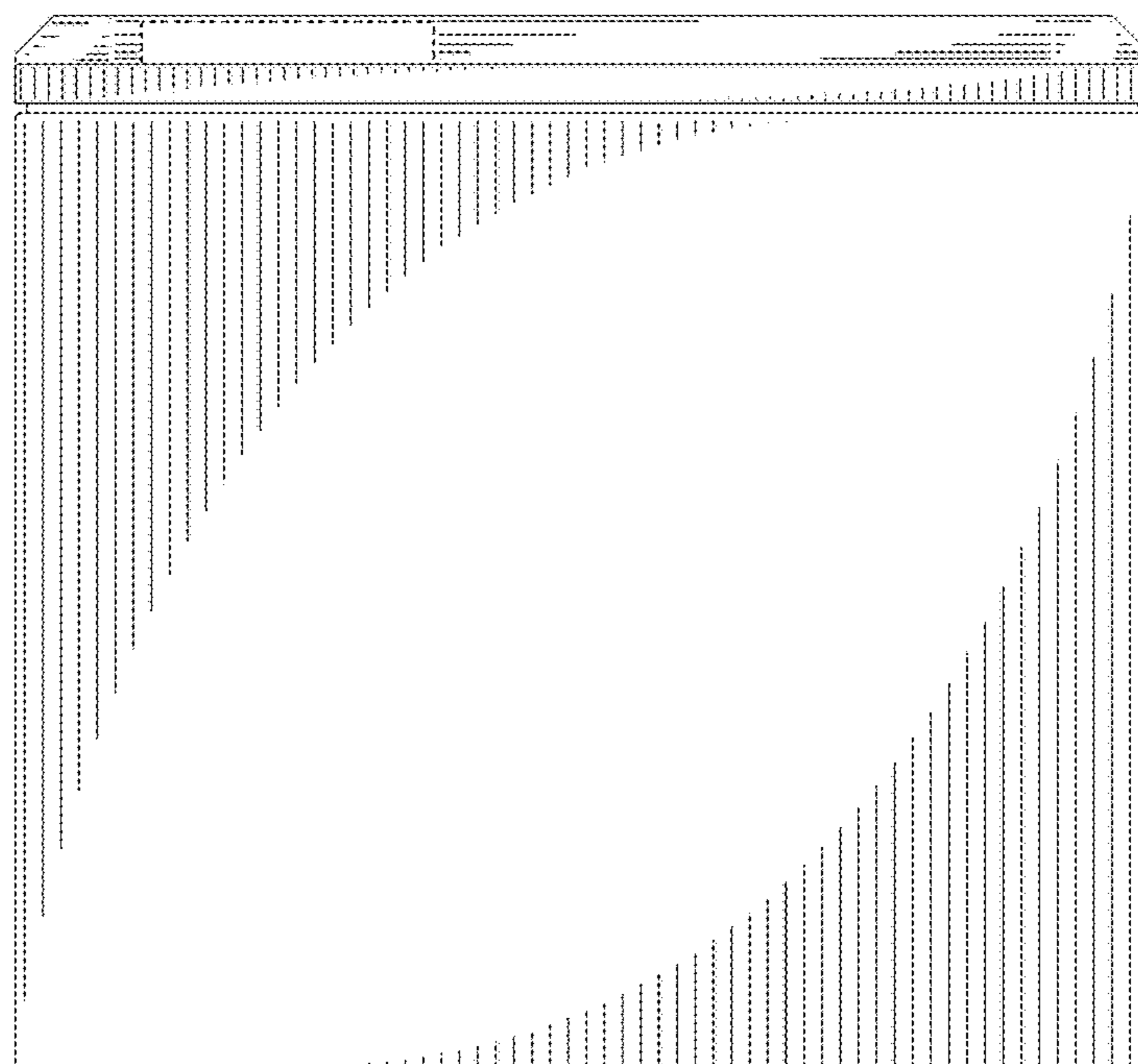


FIG. 7