



US00D861745S

(12) **United States Design Patent**
Schmid

(10) **Patent No.:** **US D861,745 S**

(45) **Date of Patent:** **** Oct. 1, 2019**

(54) **MACHINE FOR COATING**

(71) Applicant: **Oerlikon Surface Solutions AG,**
Pfäffikon, Pfäffikon (SZ)

(72) Inventor: **Jürgen Rainer Schmid,** Ammerbuch
(DE)

(73) Assignee: **OERLIKON SURFACE SOLUTIONS**
AG, PFAFFIKON, Pfaffikon (CH)

(**) Term: **15 Years**

(21) Appl. No.: **29/601,224**

(22) Filed: **Apr. 20, 2017**

(51) **LOC (12) Cl.** **15-03**

(52) **U.S. Cl.**
USPC **D15/122**

(58) **Field of Classification Search**
USPC D15/122, 135, 138, 199
CPC B41M 5/52; B41M 5/502; B41M 5/0017;
B41M 5/5218; B41M 2205/40; C09D
11/40; C09D 11/38; C09D 11/54
See application file for complete search history.

(56) **References Cited**

U.S. PATENT DOCUMENTS

D567,264 S * 4/2008 Muller D15/122
D622,296 S * 8/2010 Ueberschlag D15/122
D674,420 S * 1/2013 Ueberschlag D15/122

D685,825 S * 7/2013 Hoelbl D15/122
D690,330 S * 9/2013 Tsuchiyama D15/122
D730,419 S * 5/2015 Pungetti D15/199
D808,448 S * 1/2018 Kim D15/122
2006/0029740 A1* 2/2006 Sakurai H05K 3/125
427/335

* cited by examiner

Primary Examiner — Khawaja Anwar

(74) *Attorney, Agent, or Firm* — Frost Brown Todd LLC

(57) **CLAIM**

The ornamental design for a machine for coating, as shown and described.

DESCRIPTION

FIG. 1 is a top perspective view of a machine for coating showing our new design;
FIG. 2 is a front elevational view of thereof;
FIG. 3 is a rear elevational view thereof;
FIG. 4 is a left elevational view thereof;
FIG. 5 is a right elevational view thereof;
FIG. 6 is a top plan view thereof; and
FIG. 7 is a bottom plan view thereof.
FIG. 8 is a top perspective view of a second machine for coating showing our new design;
FIG. 9 is a front elevational view of thereof;
FIG. 10 is a rear elevational view thereof;
FIG. 11 is a left elevational view thereof;
FIG. 12 is a right elevational view thereof;
FIG. 13 is a top plan view thereof; and
FIG. 14 is a bottom plan view thereof.

1 Claim, 14 Drawing Sheets

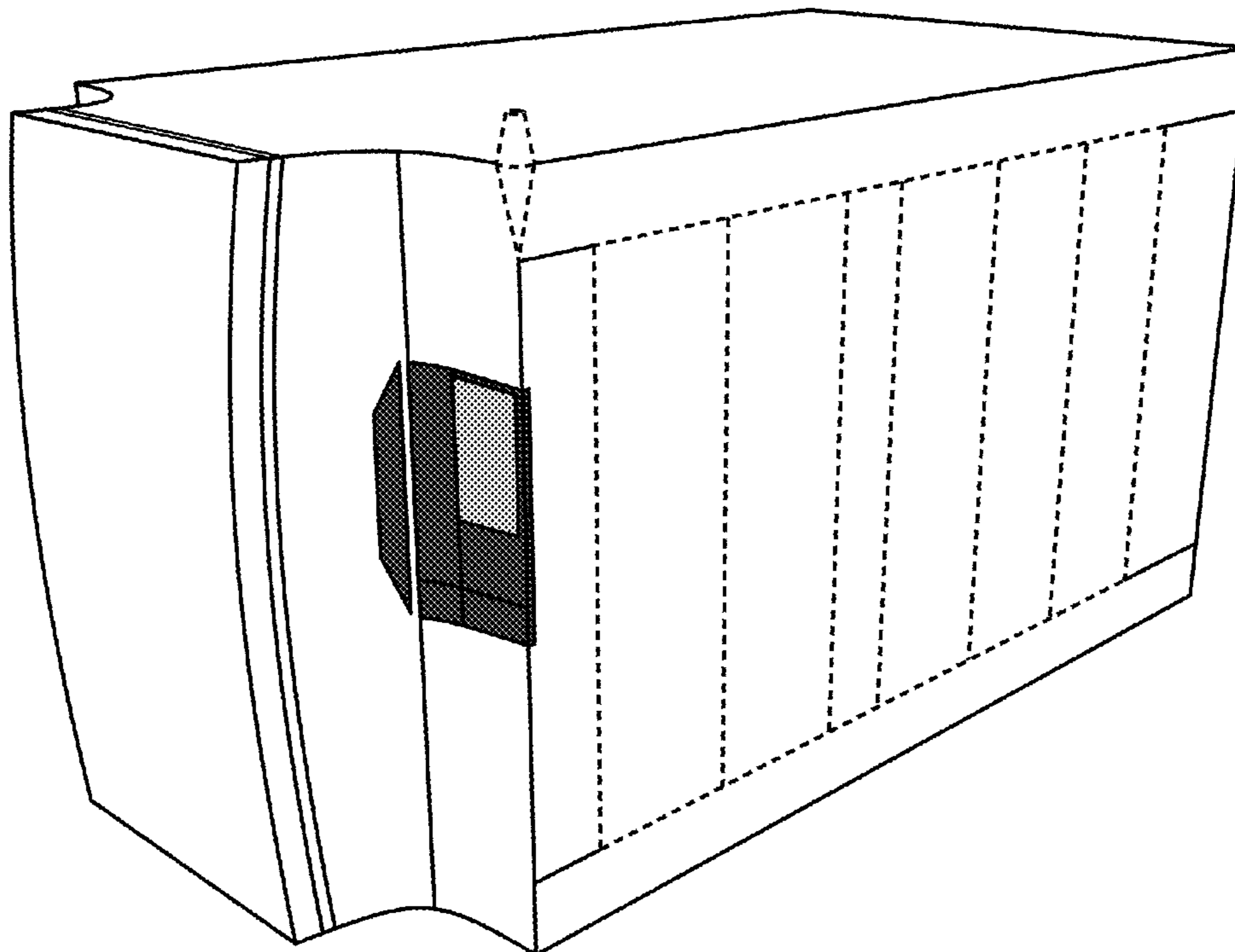


FIG. 1

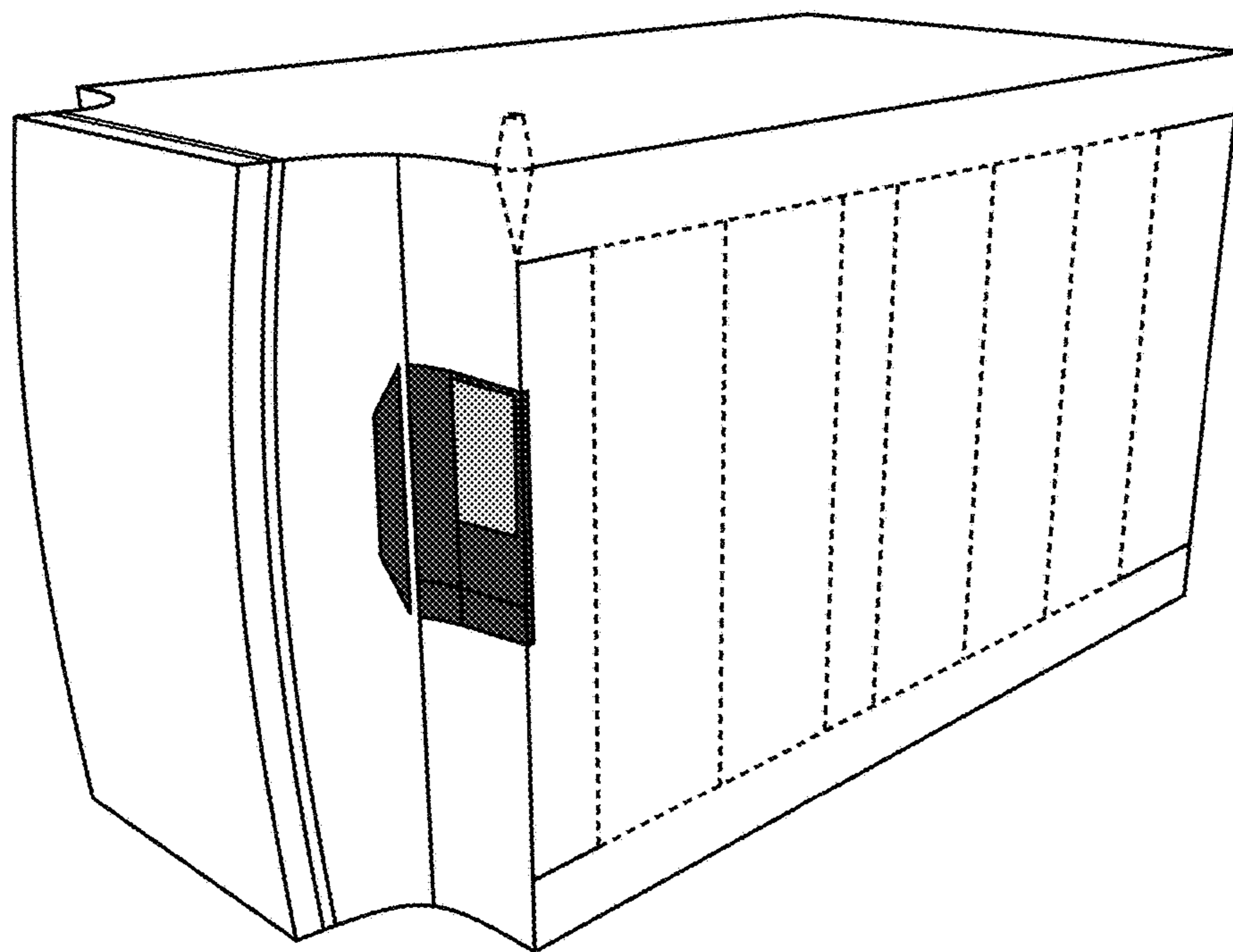


FIG. 2

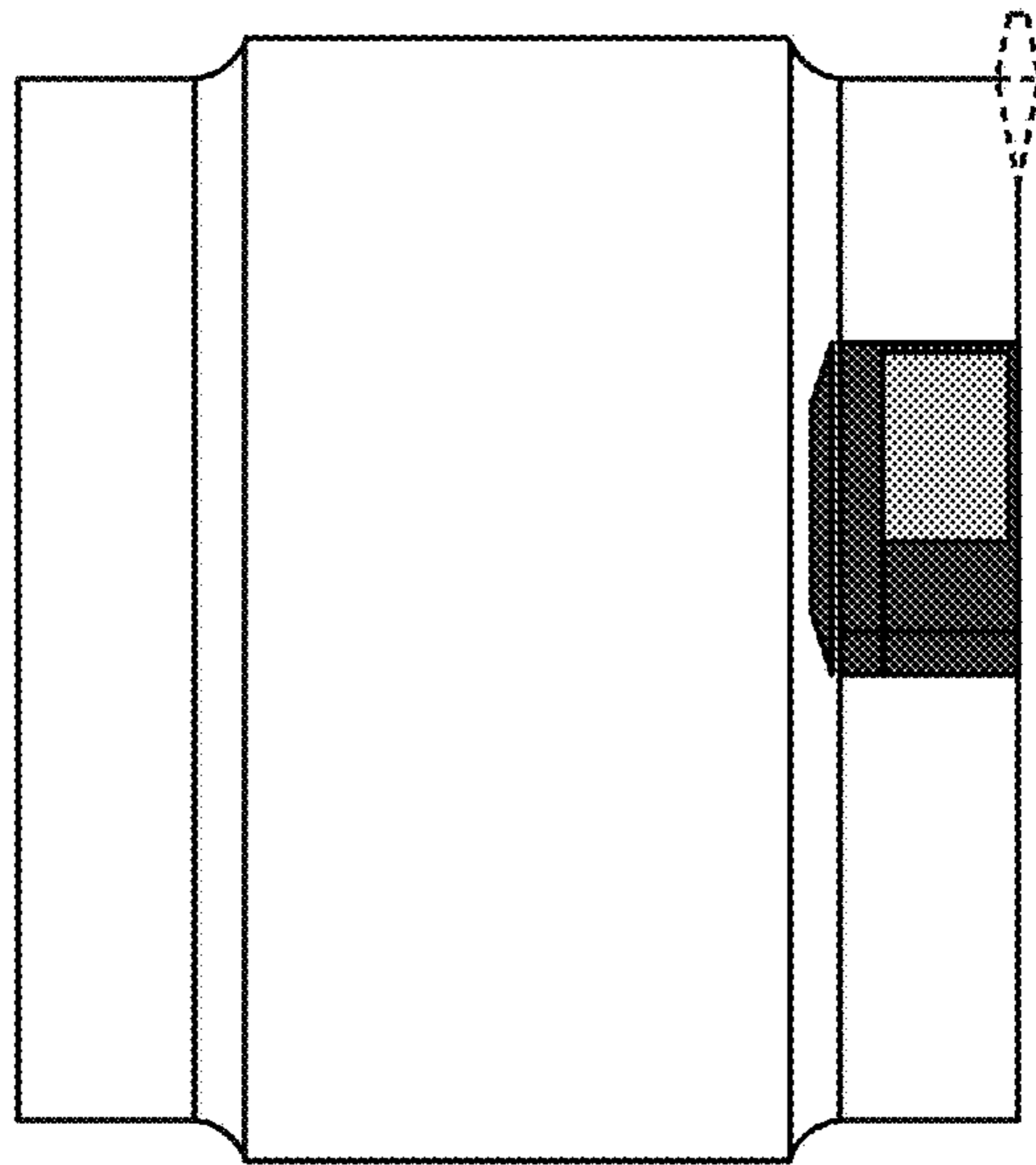


FIG. 3

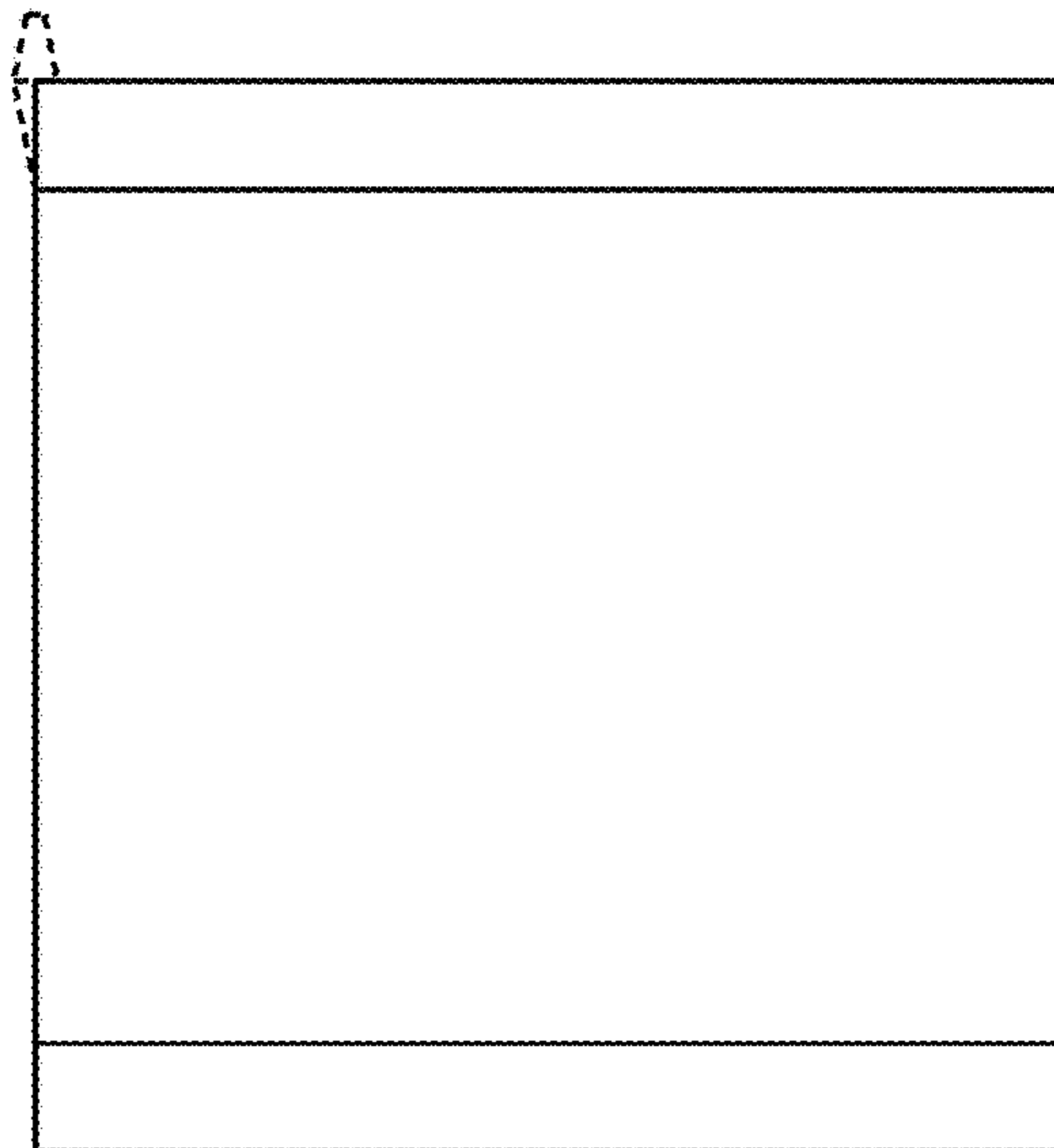


FIG. 4

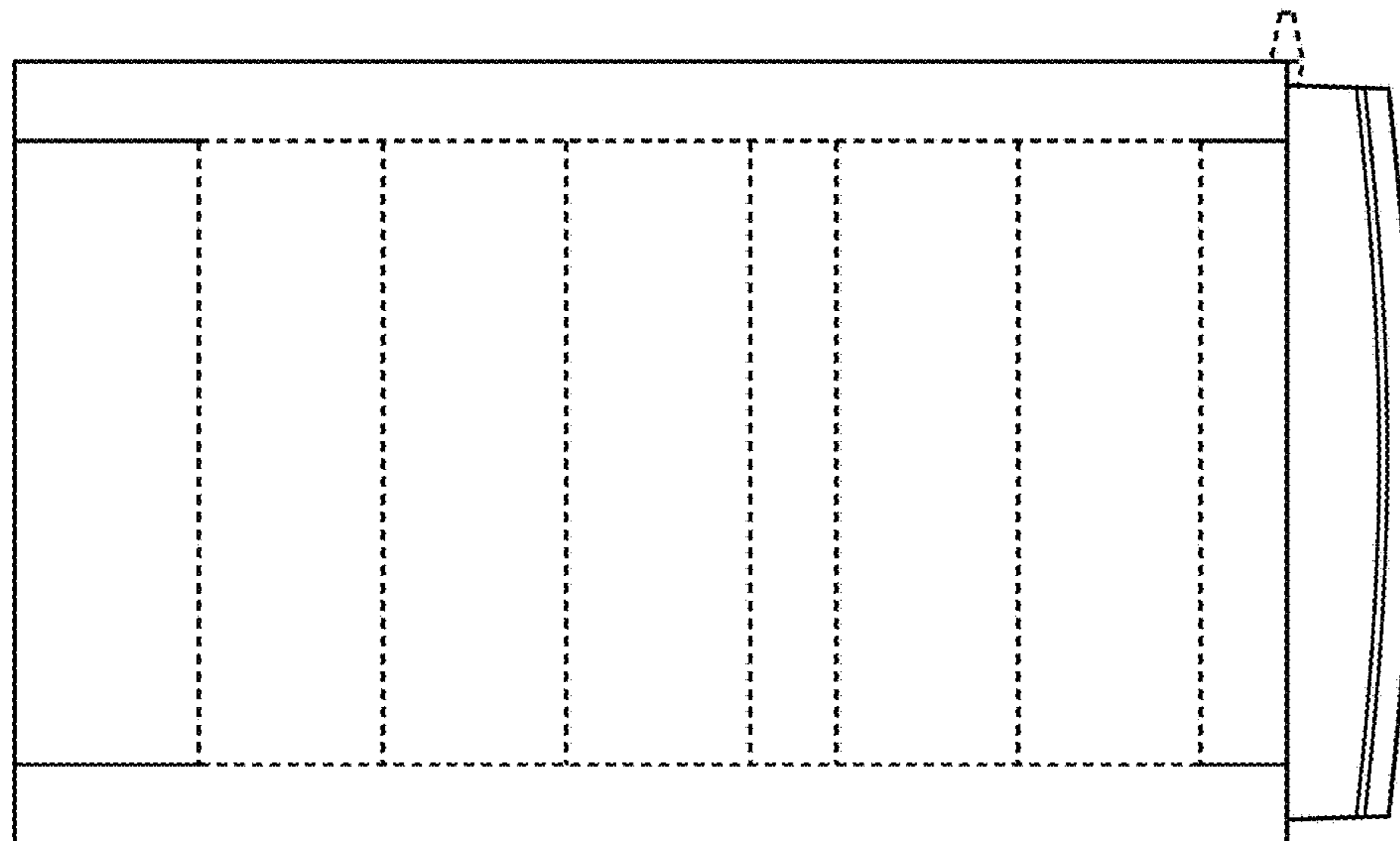


FIG. 5

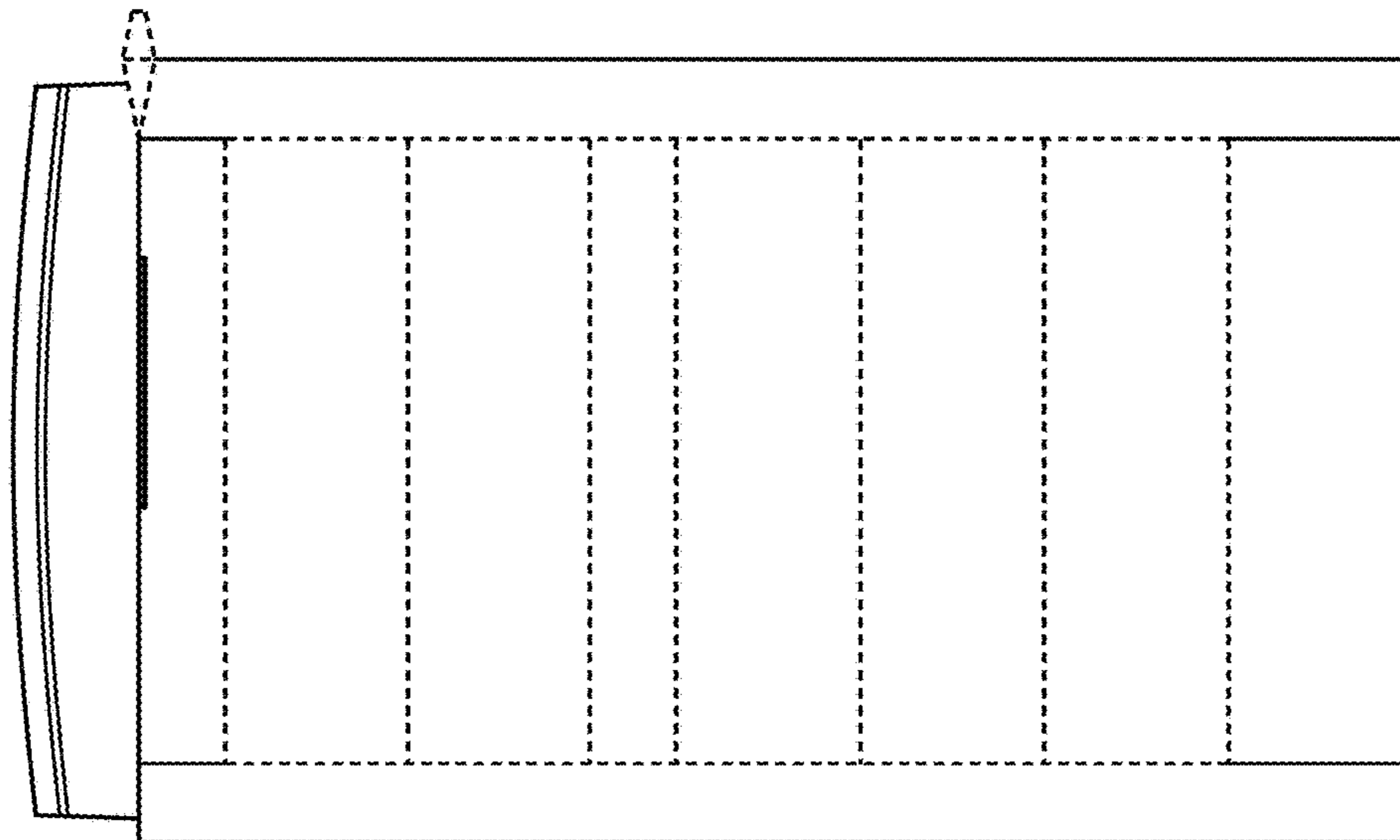


FIG. 6

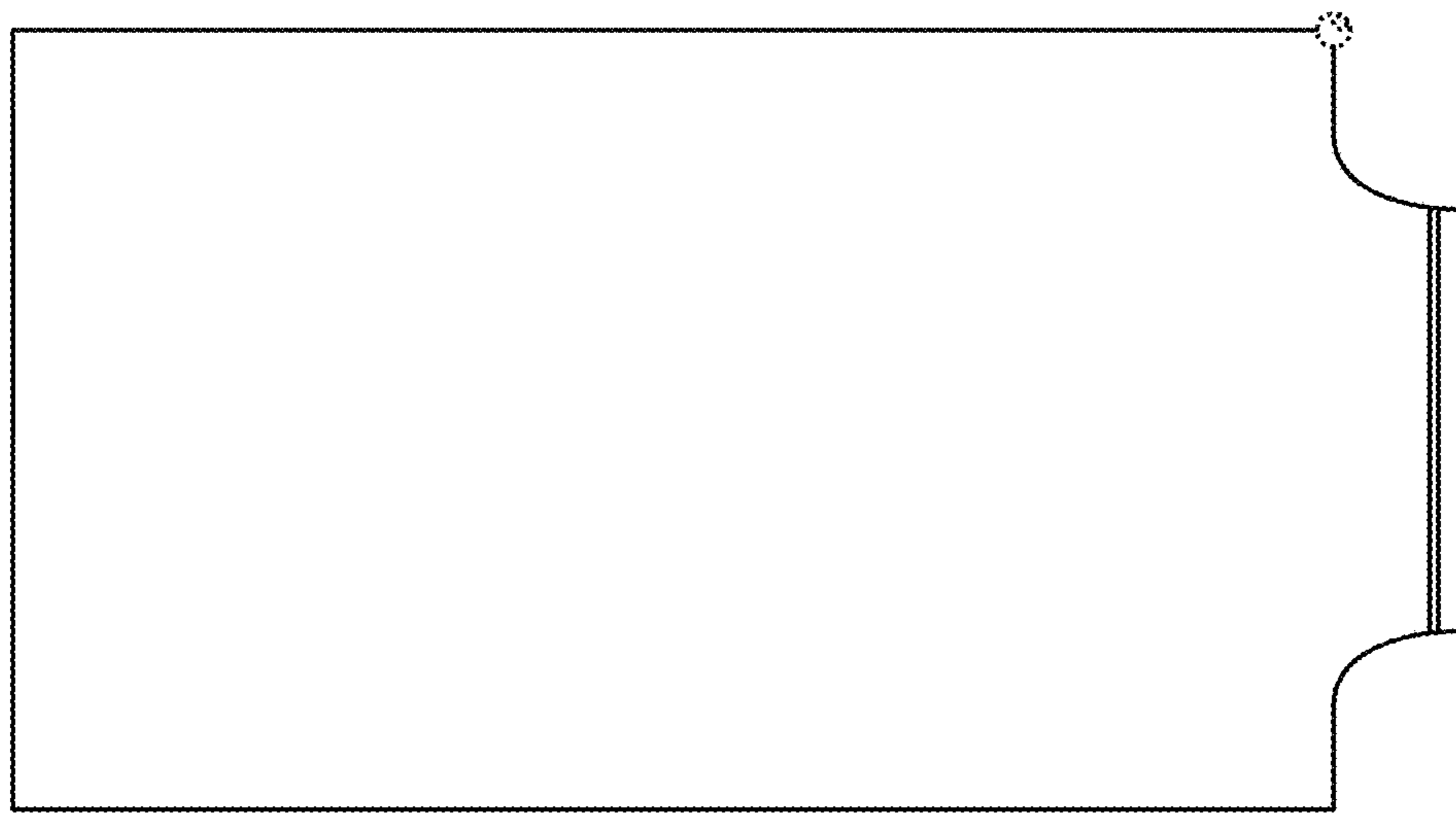


FIG. 7

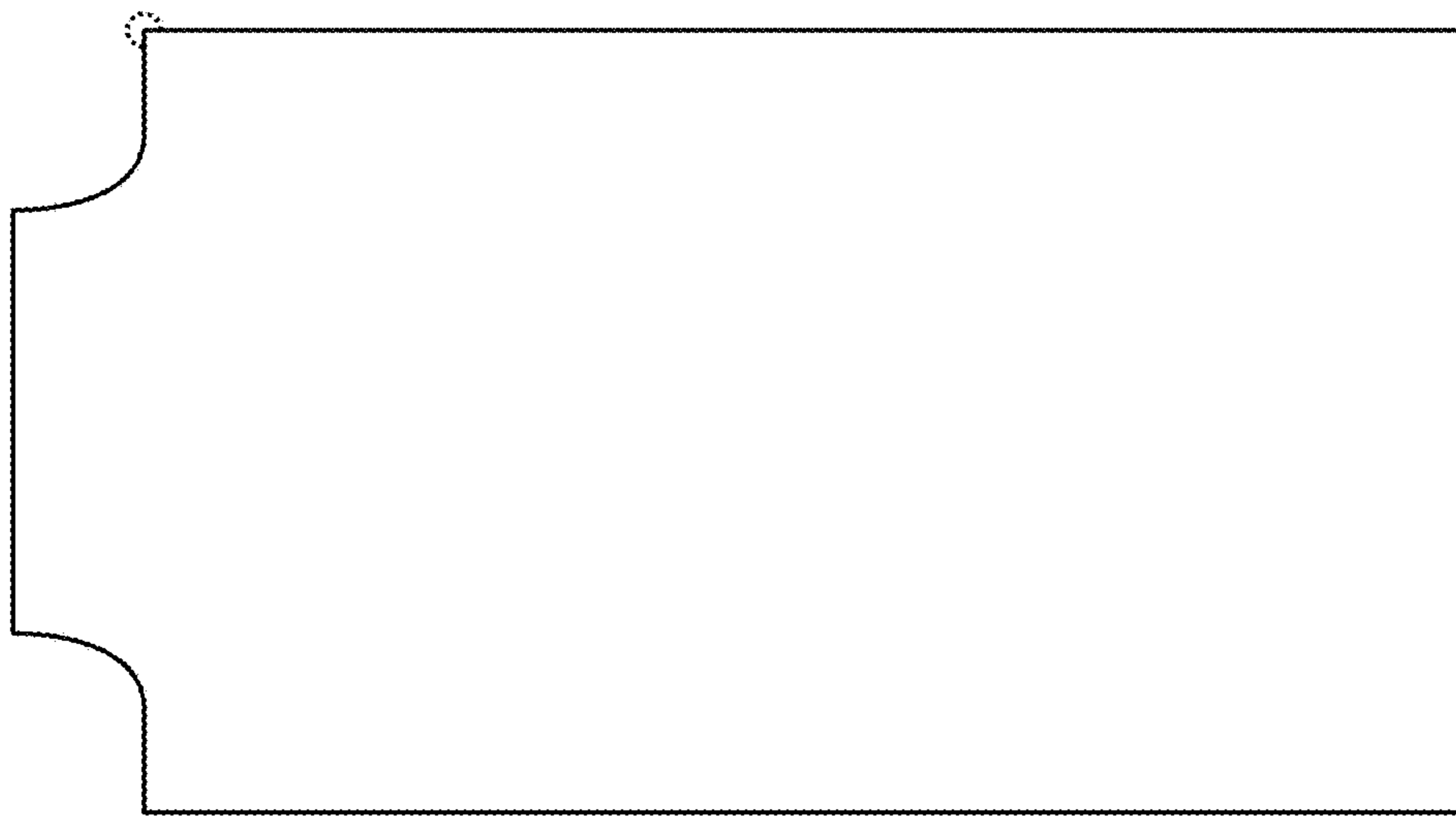


FIG. 8

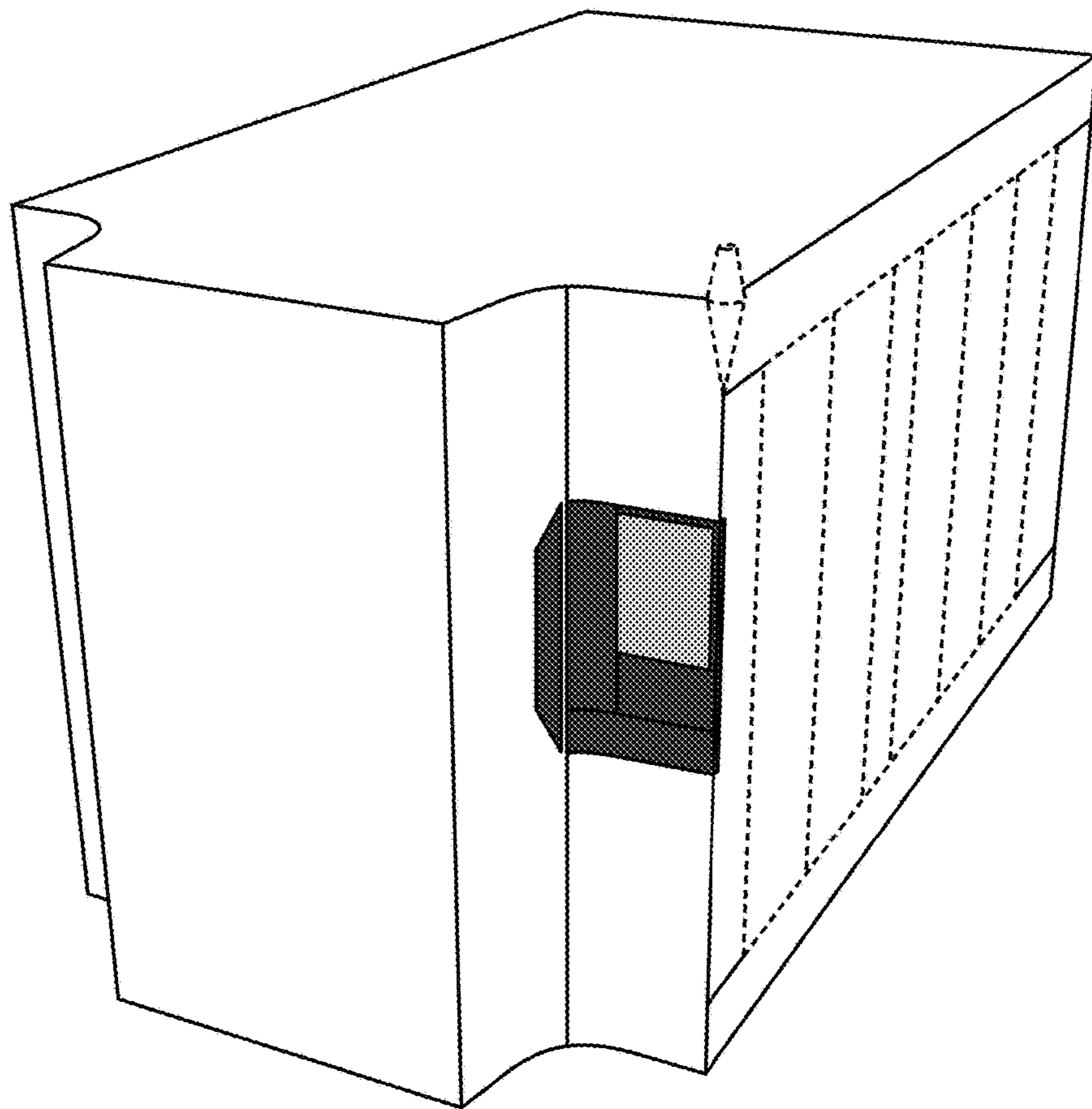


FIG. 9

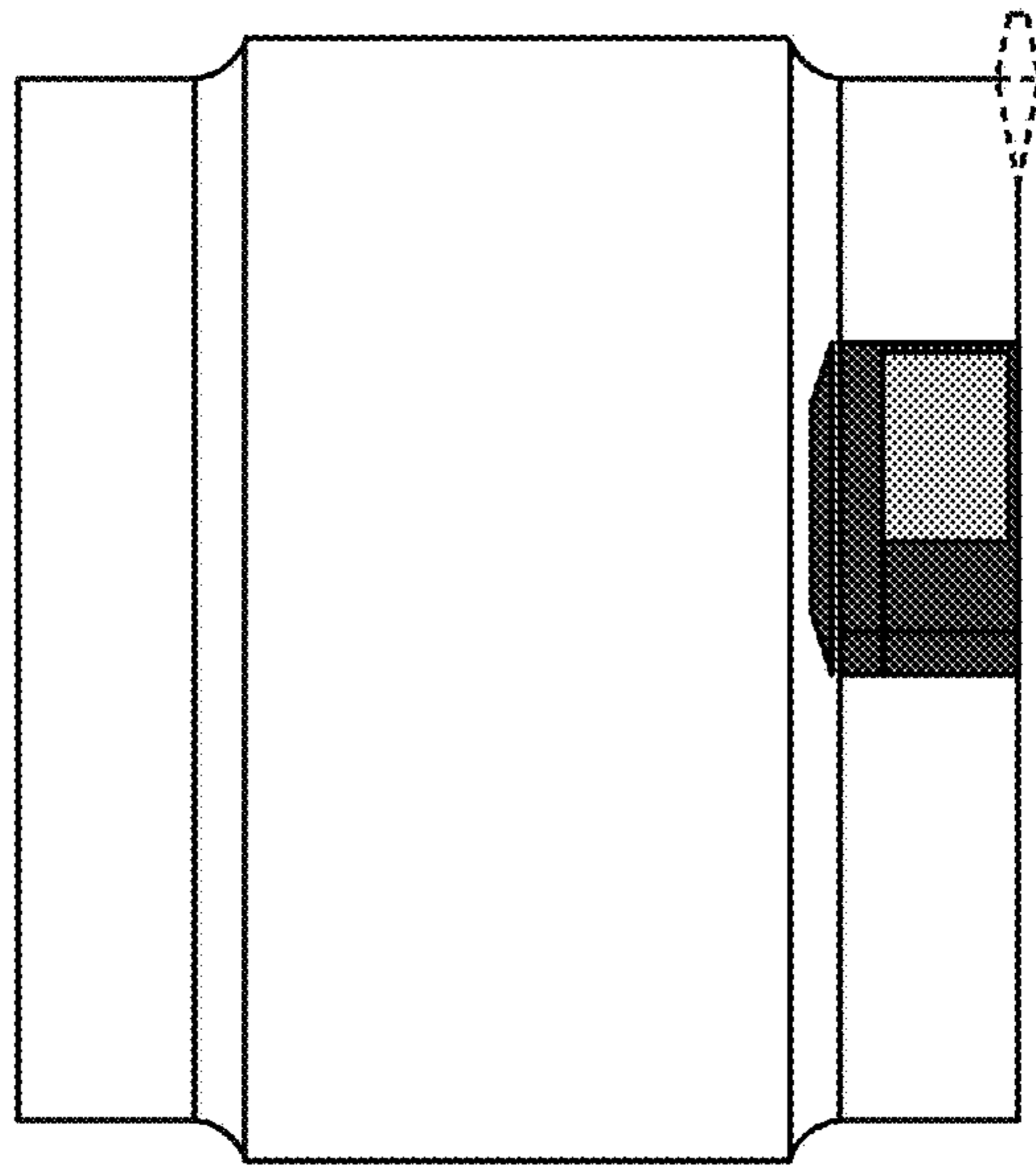


FIG. 10

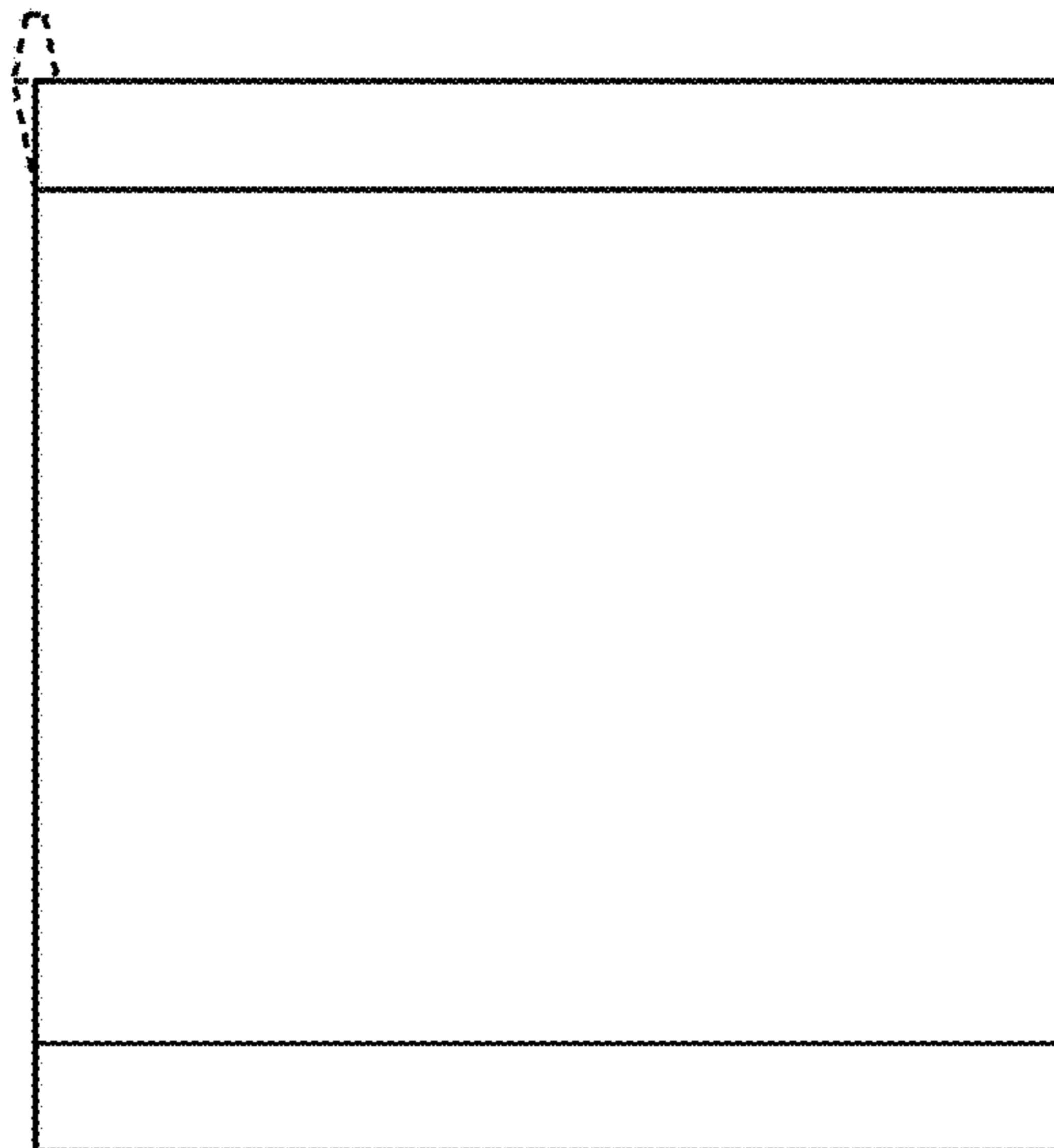


FIG. 11

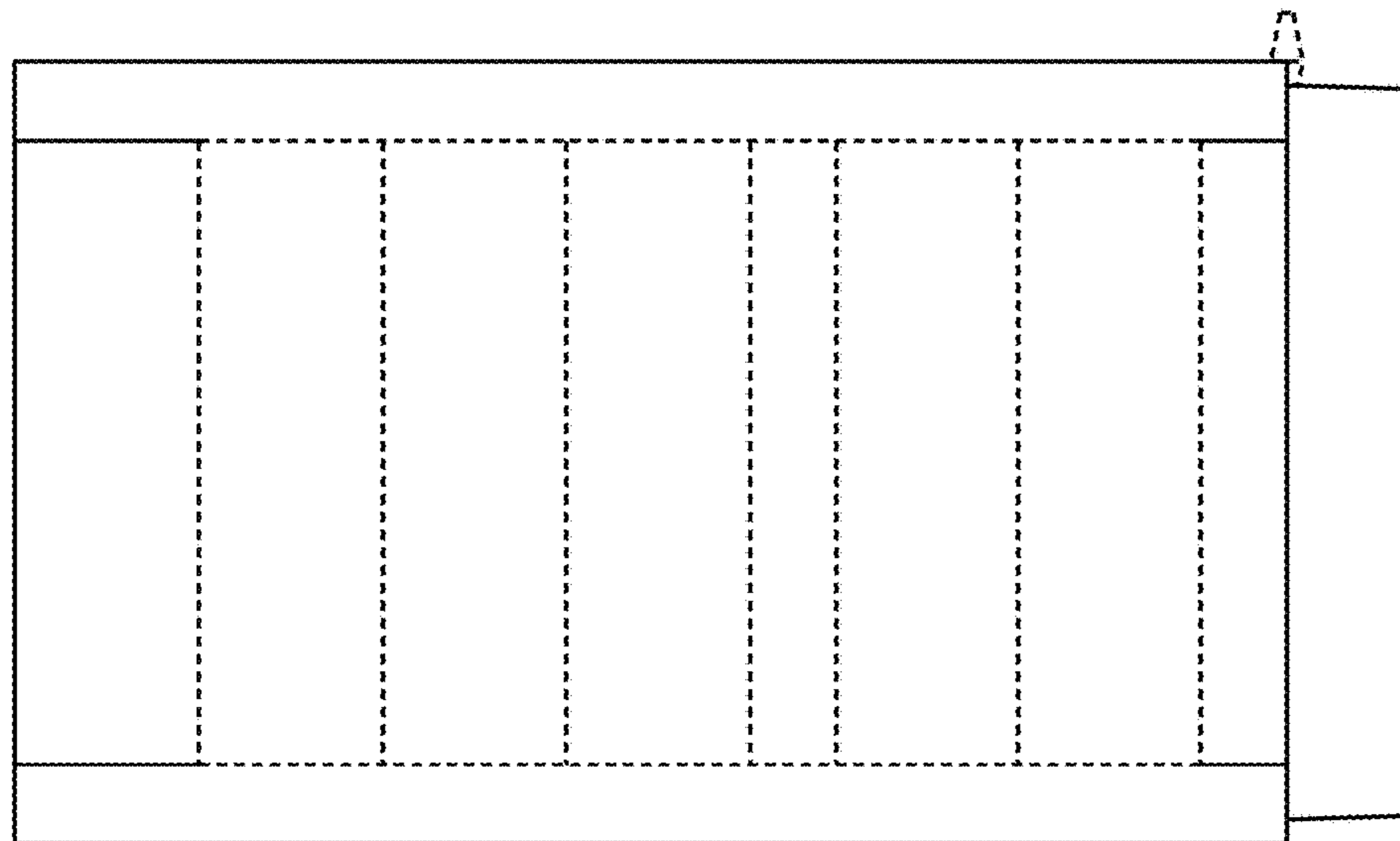


FIG. 12

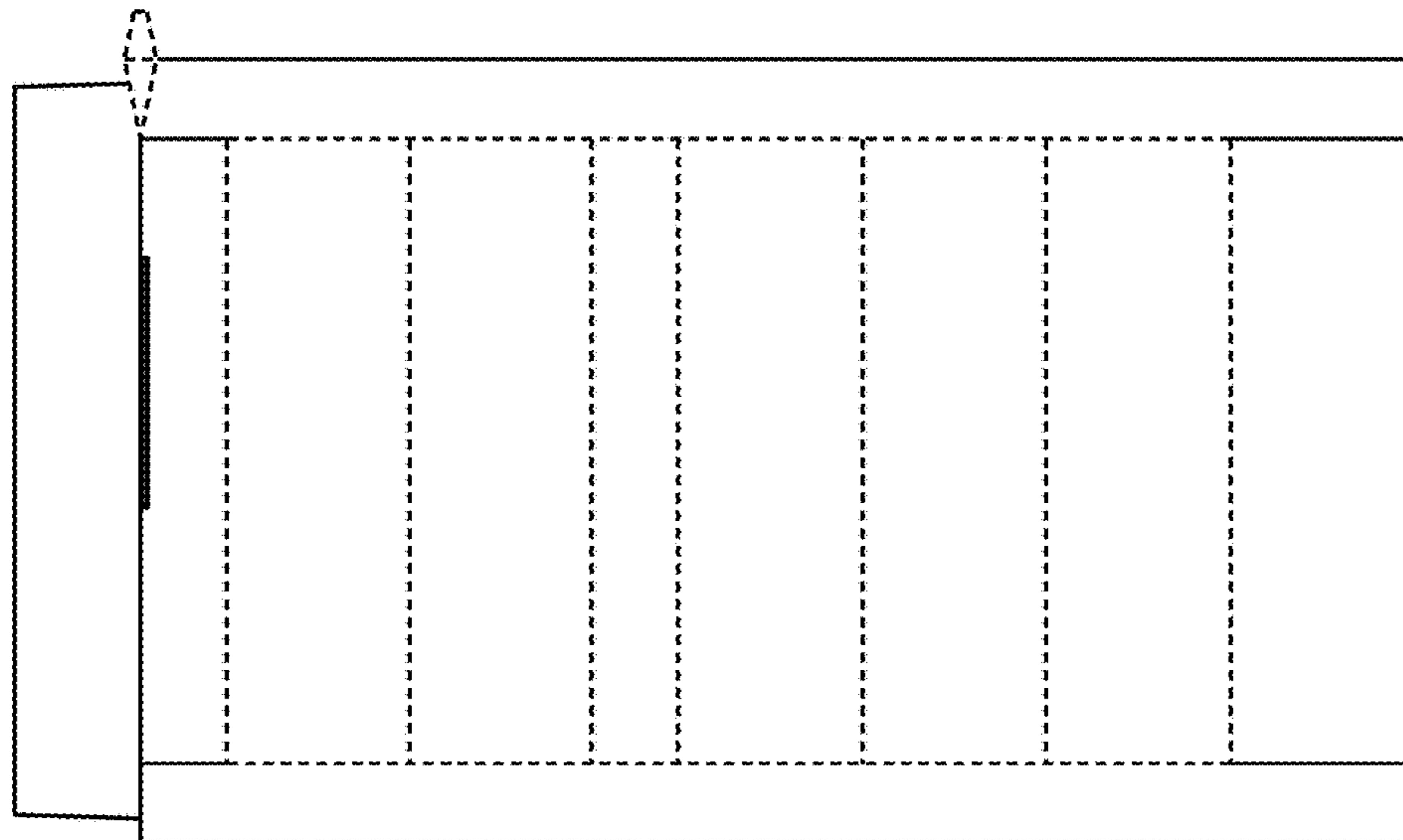


FIG. 13

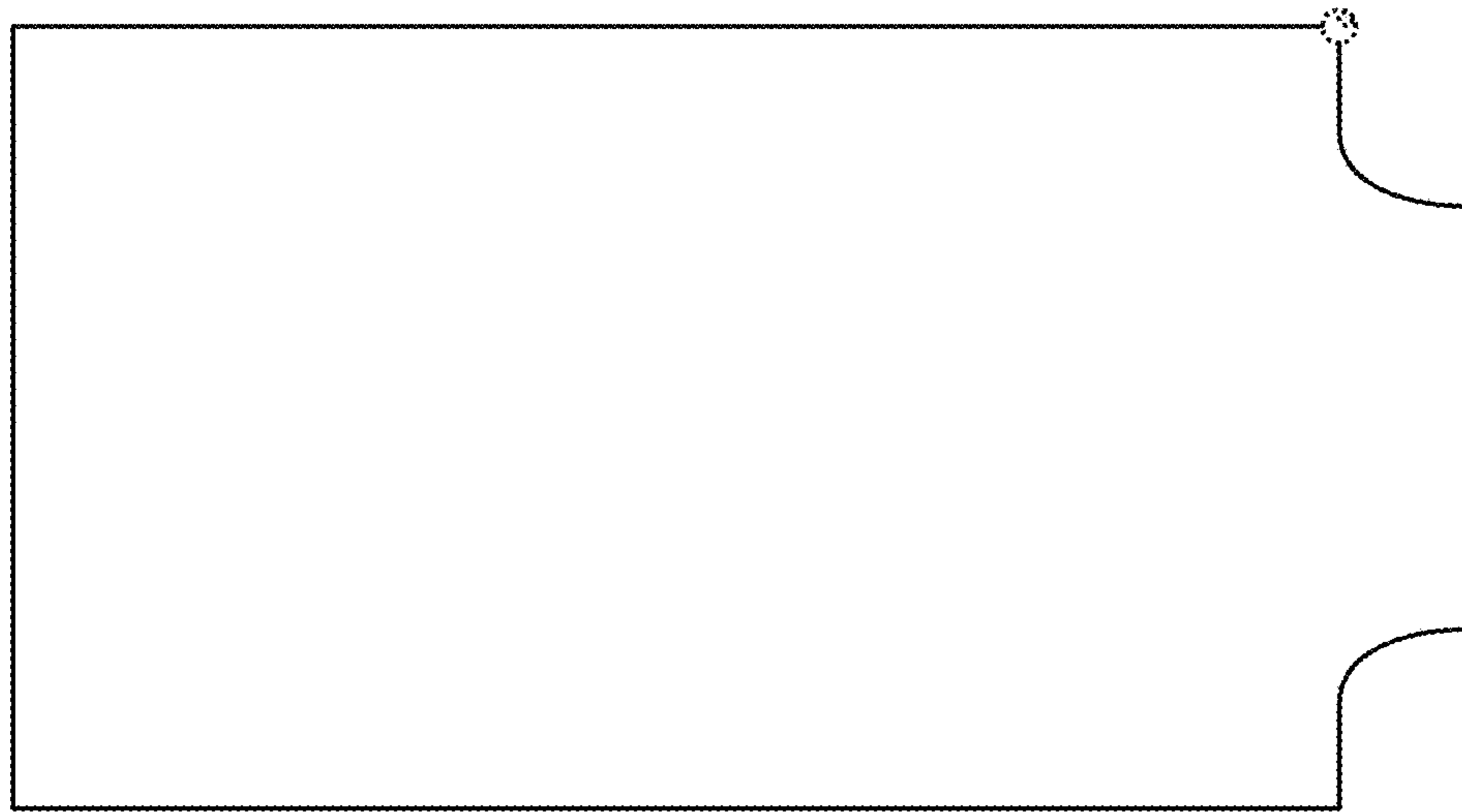
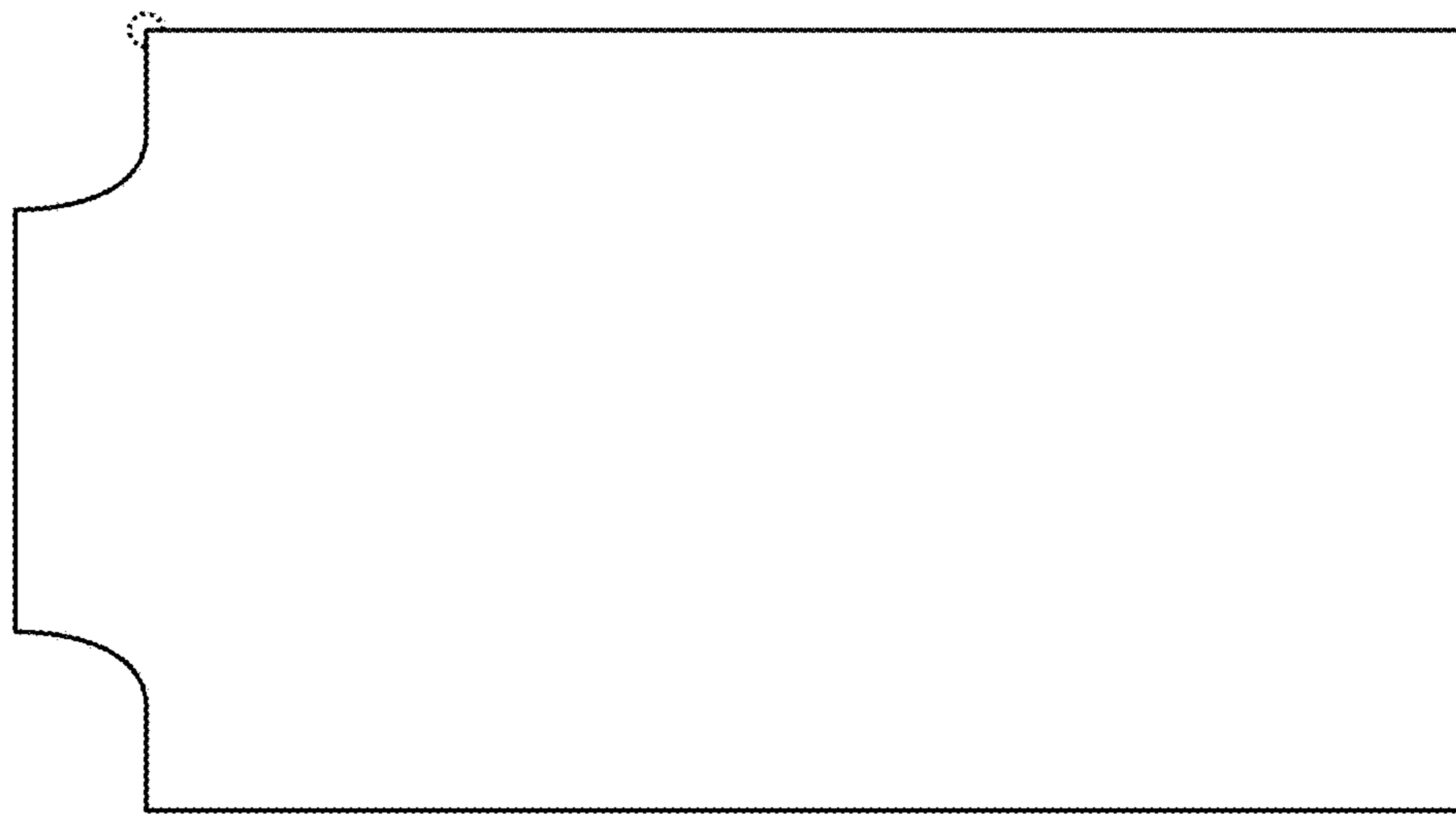


FIG. 14



UNITED STATES PATENT AND TRADEMARK OFFICE
CERTIFICATE OF CORRECTION

PATENT NO. : D861,745 S
APPLICATION NO. : 29/601224
DATED : October 1, 2019
INVENTOR(S) : Jürgen Rainer Schmid

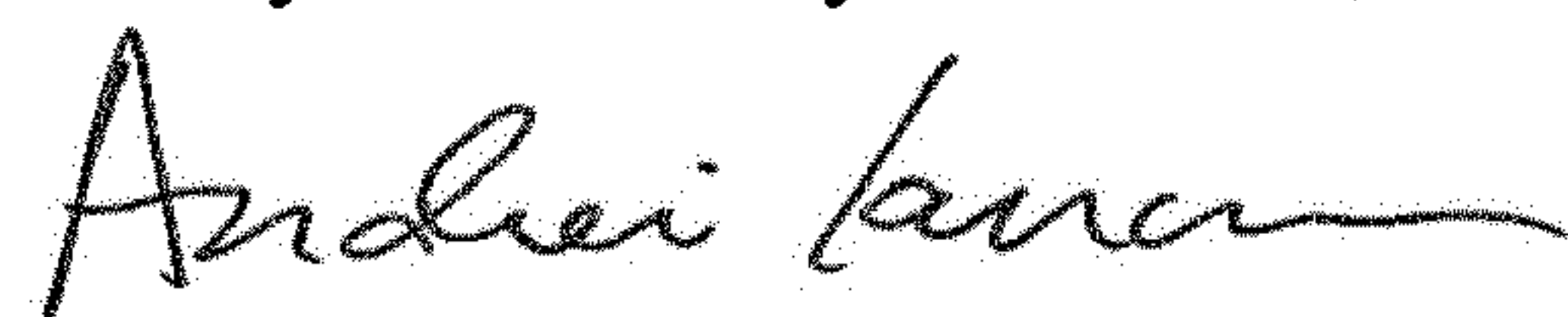
Page 1 of 1

It is certified that error appears in the above-identified patent and that said Letters Patent is hereby corrected as shown below:

On the Title Page

Add "Foreign Application Priority Data Oct. 21, 2016 (EM) 003428861"

Signed and Sealed this
Twenty-fourth Day of March, 2020



Andrei Iancu
Director of the United States Patent and Trademark Office