

US00D861742S

(12) **United States Design Patent** (10) **Patent No.:** **US D861,742 S**
Baron et al. (45) **Date of Patent:** **** Oct. 1, 2019**

(54) **APPLIANCE**

(71) Applicant: **Conopco, Inc.**, Englewood Cliffs, NJ (US)
 (72) Inventors: **Neil Martin Baron**, London (GB); **Graham Potts**, London (GB); **Massimiliano Terio**, Hertfordshire (GB); **Matthew Peter Tidnam**, Surrey (GB)
 (73) Assignee: **Conopco, Inc.**, Englewood Cliffs, NJ (US)

(**) Term: **15 Years**

(21) Appl. No.: **29/614,720**

(22) Filed: **Aug. 22, 2017**

(30) **Foreign Application Priority Data**

Feb. 23, 2017 (EM) 003763440-0002

(51) **LOC (12) Cl.** **15-07**

(52) **U.S. Cl.**
USPC **D15/82**

(58) **Field of Classification Search**
 USPC D15/79-91; D7/300, 303-311
 CPC .. F25D 11/00; F25D 17/065; F25D 2325/022;
 F25D 23/069; F25D 25/025; F25D 11/02;
 F25D 17/062; F25D 21/12; F25D 21/125;
 F25D 21/14; F25D 2317/061; F25D
 2317/067; F25D 2323/021; F25D
 2323/024; F25D 23/028; F25D 23/04;
 F25D 23/066; F25D 23/085; F25D
 23/087; F25D 23/126; F25D 2400/02;
 F25D 2400/06; F25D 2400/361; F25D
 2400/40; F25D 25/005; F25D 25/02;
 F25D 2600/02; F25D 2700/02; F25D
 2700/12; F25D 2700/121; F25D 2700/14;
 F25D 29/00

See application file for complete search history.

(56) **References Cited**

U.S. PATENT DOCUMENTS

D40,381	S	*	11/1909	Bunnell	D15/82
D307,754	S	*	5/1990	Osrow	D15/82
D378,215	S	*	2/1997	Gander	D15/82
D535,668	S	*	1/2007	Moore	D15/82
D671,568	S	*	11/2012	Pelayo	D15/82
D748,688	S	*	2/2016	Sherman	D15/80

* cited by examiner

Primary Examiner — Khawaja Anwar

(74) *Attorney, Agent, or Firm* — Gerard J. McGowan, Jr.

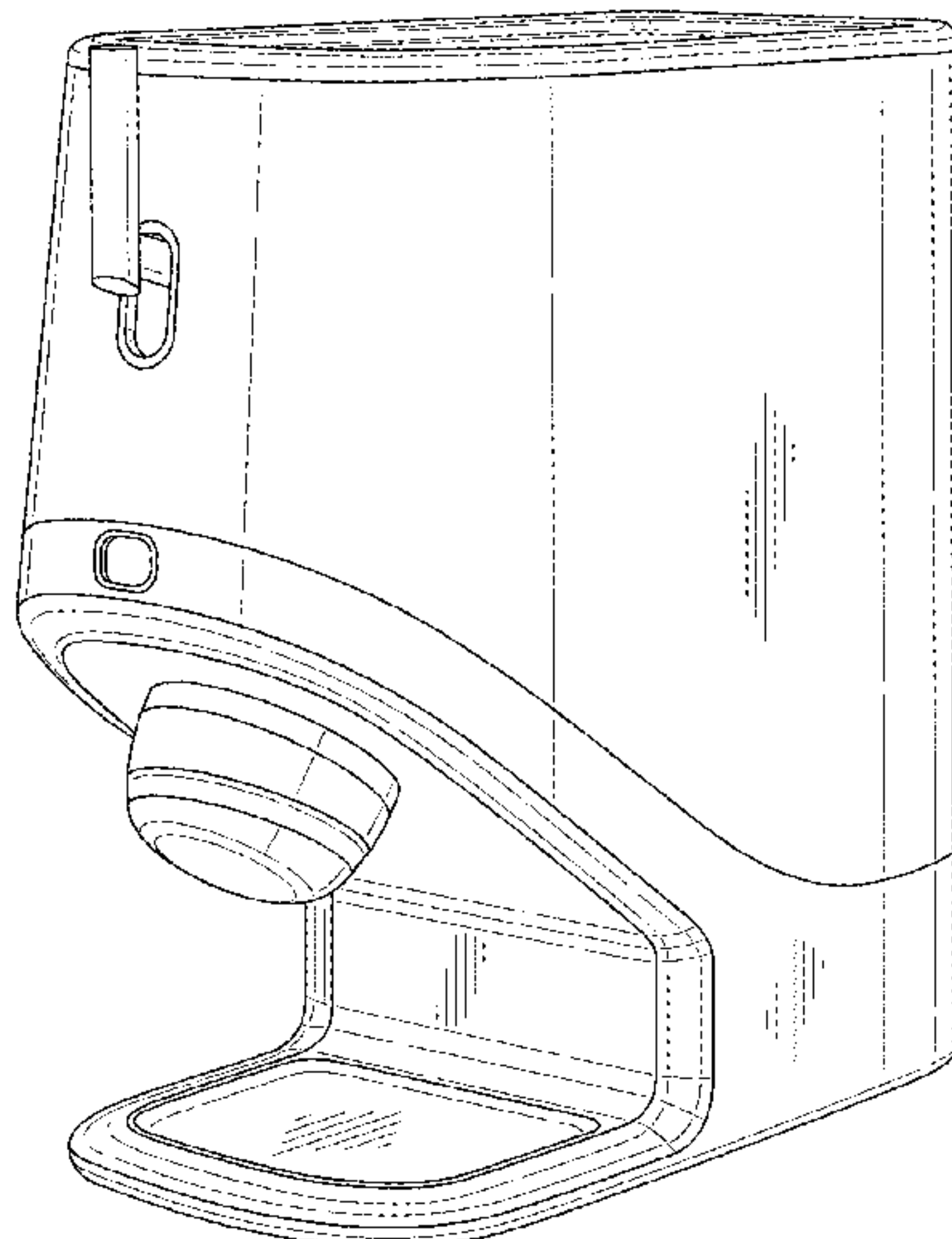
(57) **CLAIM**

An ornamental design for an appliance, as shown and described.

DESCRIPTION

FIG. 1 is a perspective view of an appliance in accordance with our new design,
 FIG. 2 is a front view of an appliance in accordance with our new design,
 FIG. 3 is a back view of an appliance in accordance with our new design,
 FIG. 4 is a left side view of an appliance in accordance with our new design,
 FIG. 5 is a right side view of an appliance in accordance with our new design,
 FIG. 6 is a top plan view of an appliance in accordance with our new design; and,
 FIG. 7 is an underneath plan view of an appliance in accordance with our new design.
 The appliance is particularly useful for dispensing frozen confections, especially soft ice cream.

1 Claim, 5 Drawing Sheets



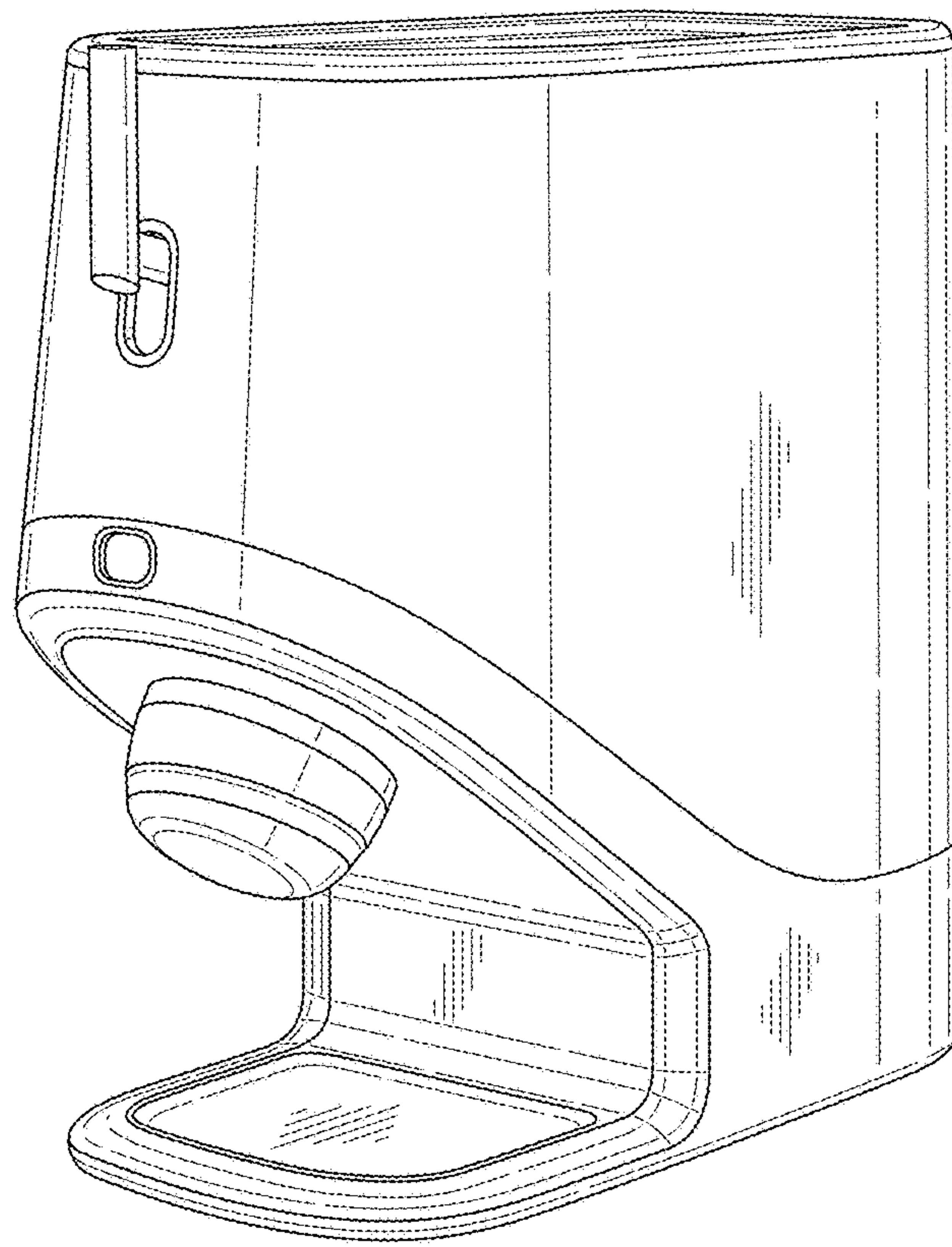


Fig. 1

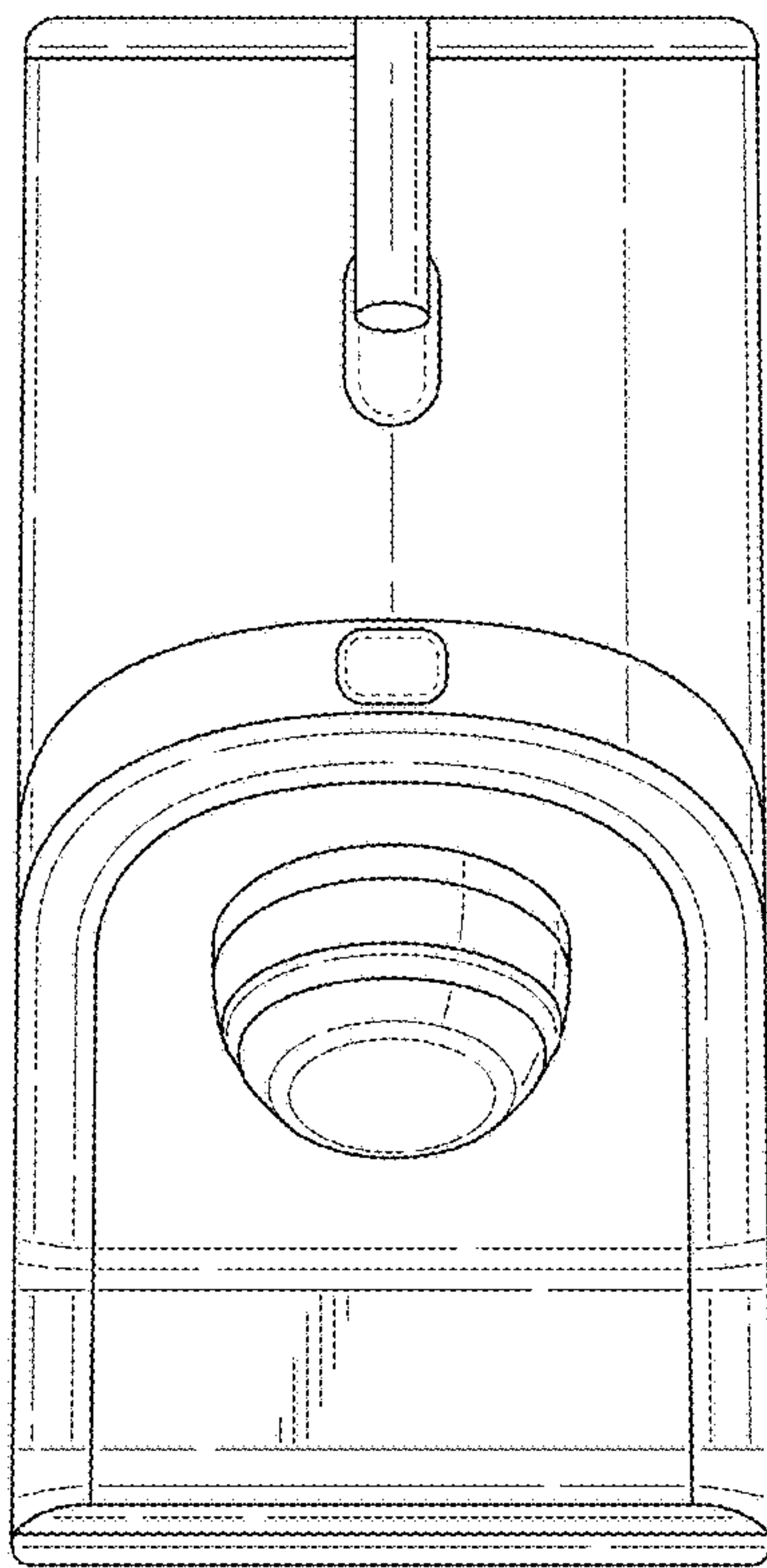


Fig. 2

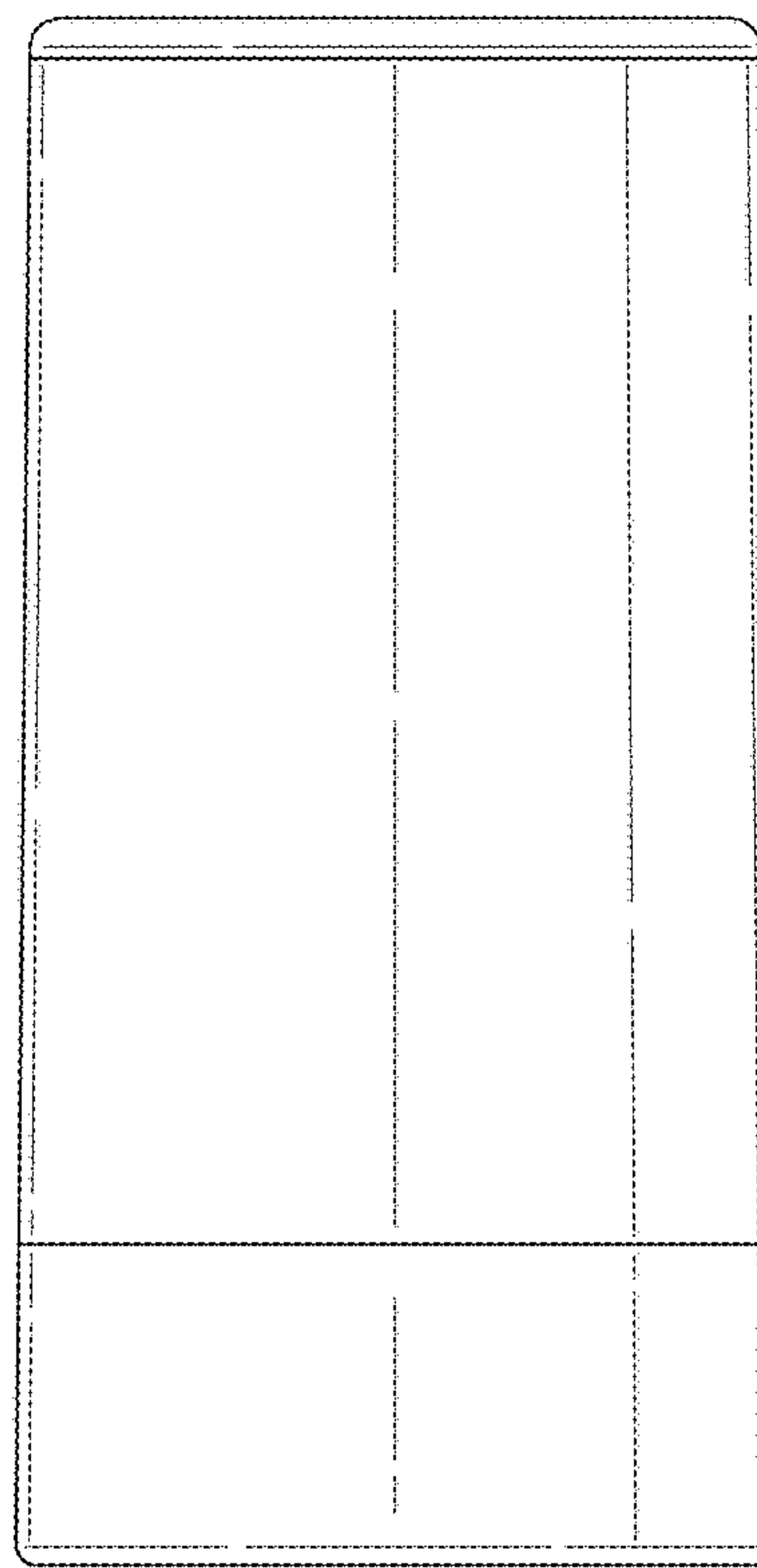


Fig. 3

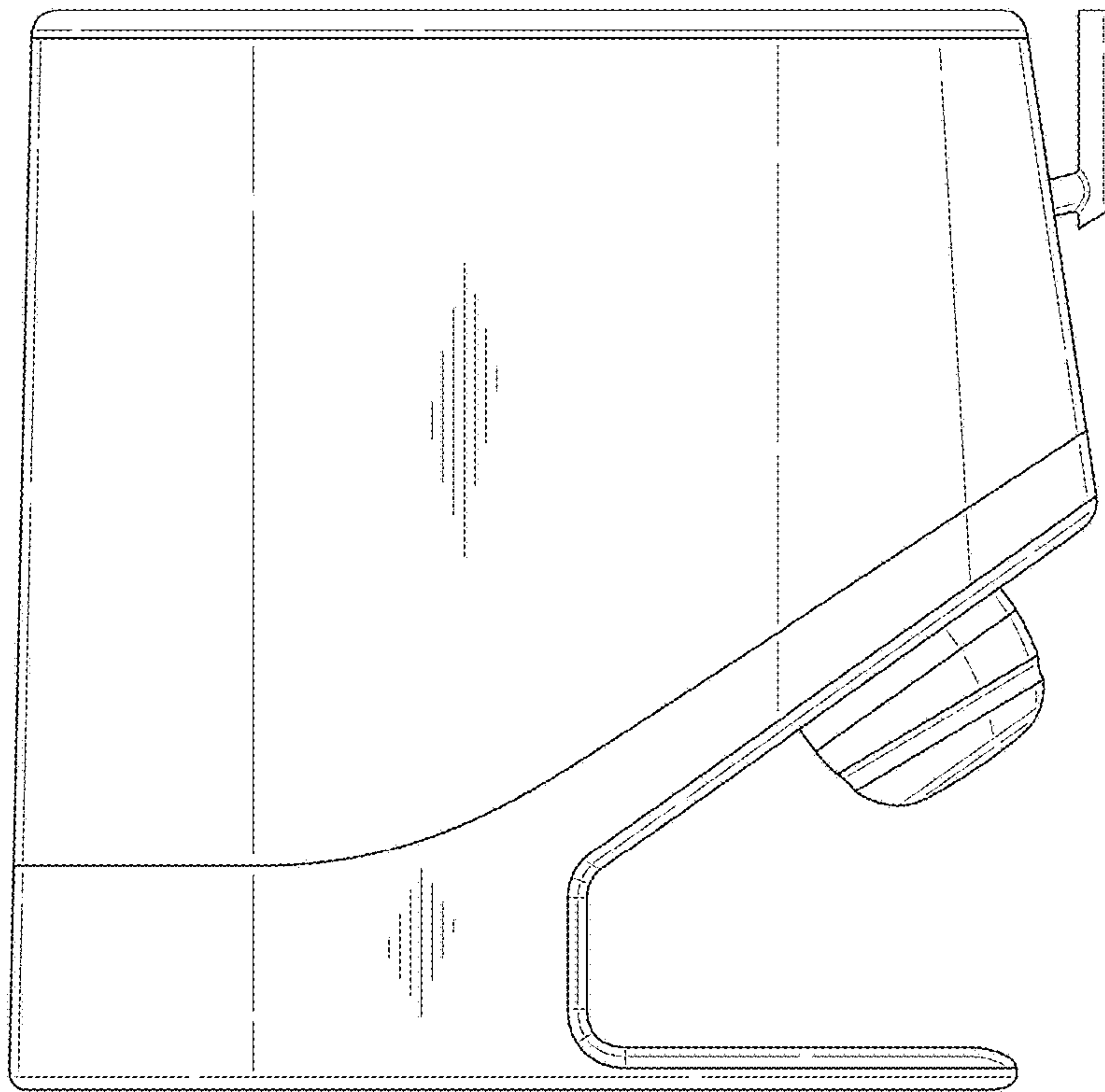


Fig. 4

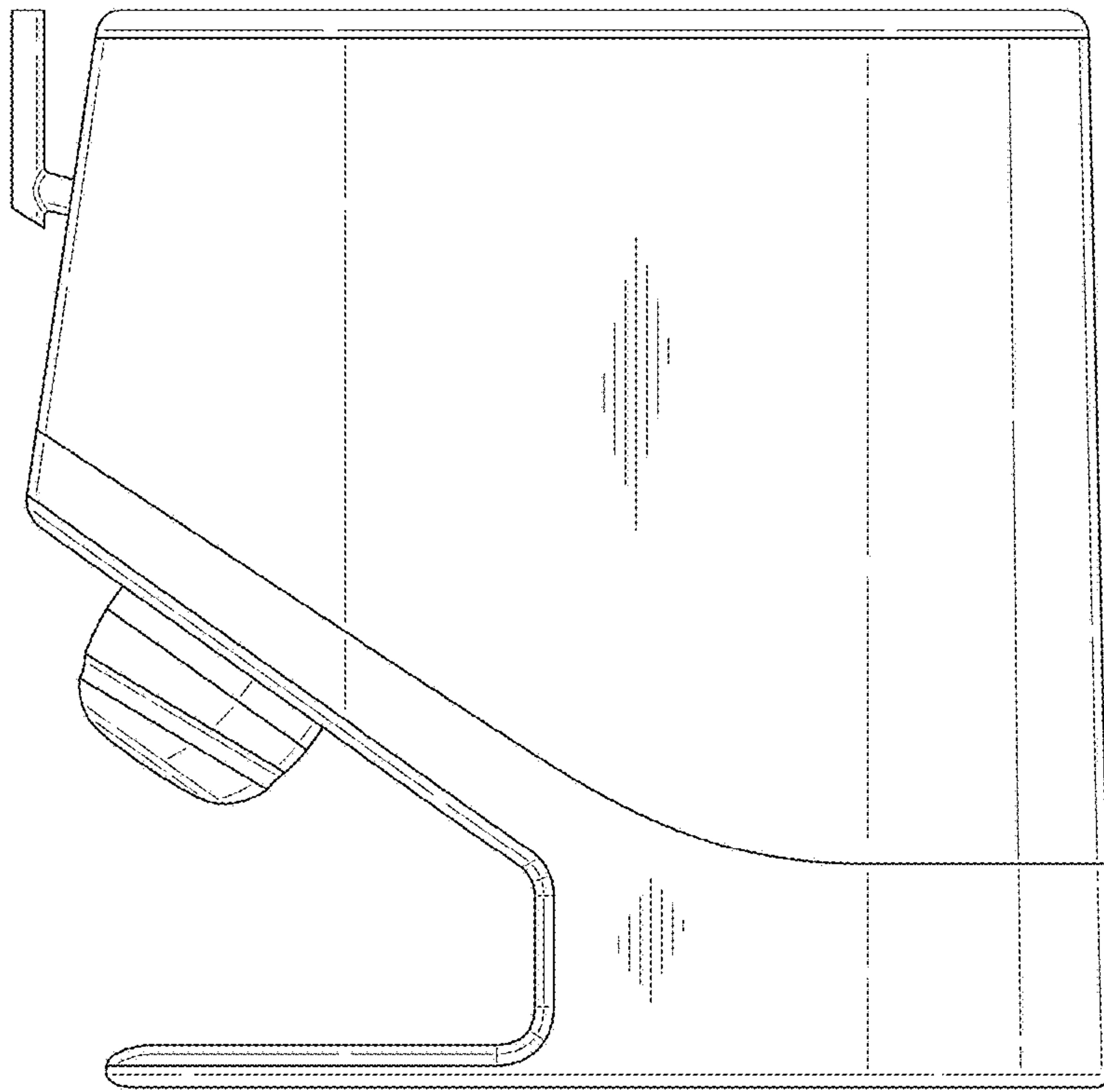


Fig. 5

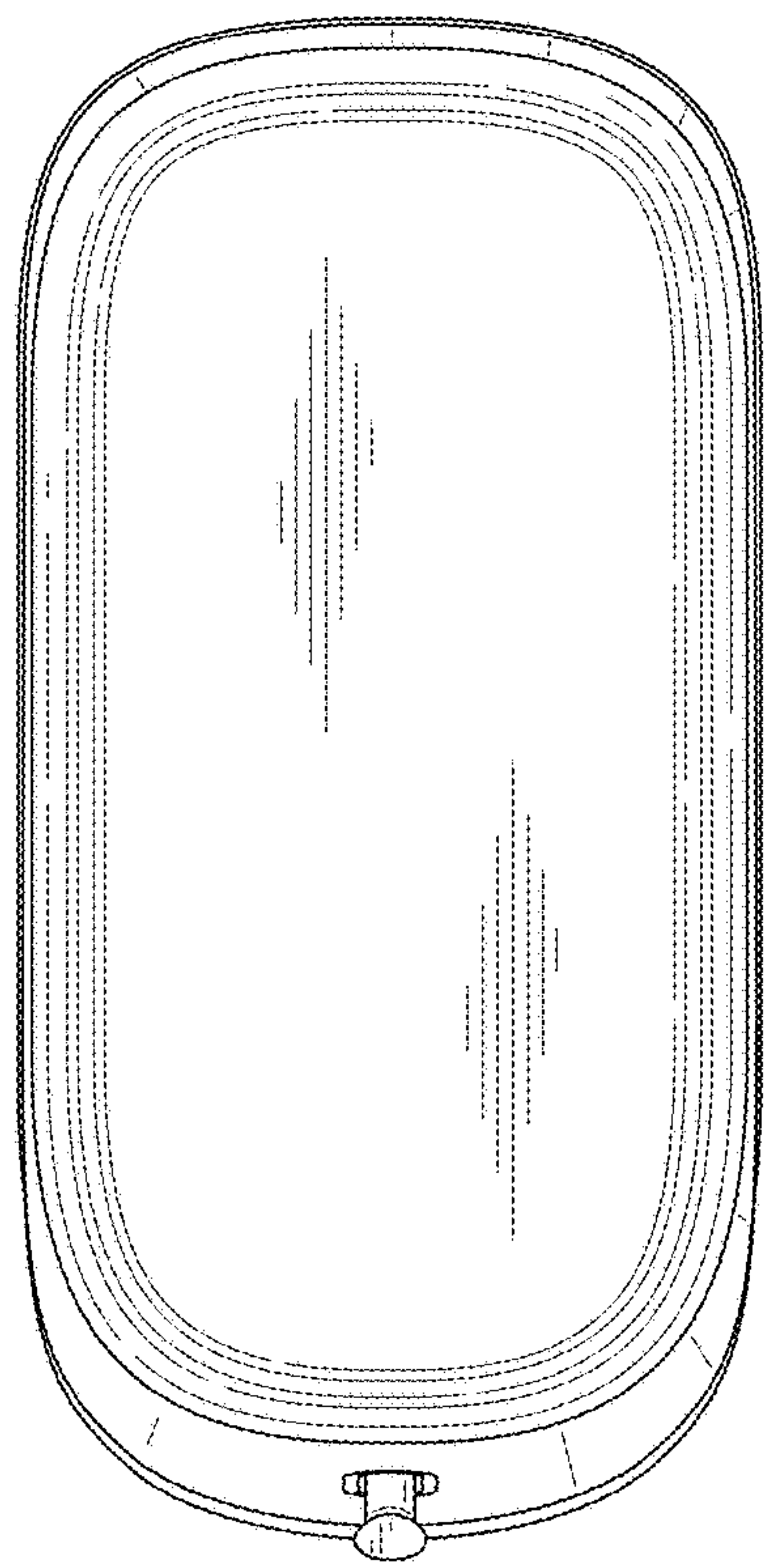


Fig. 6

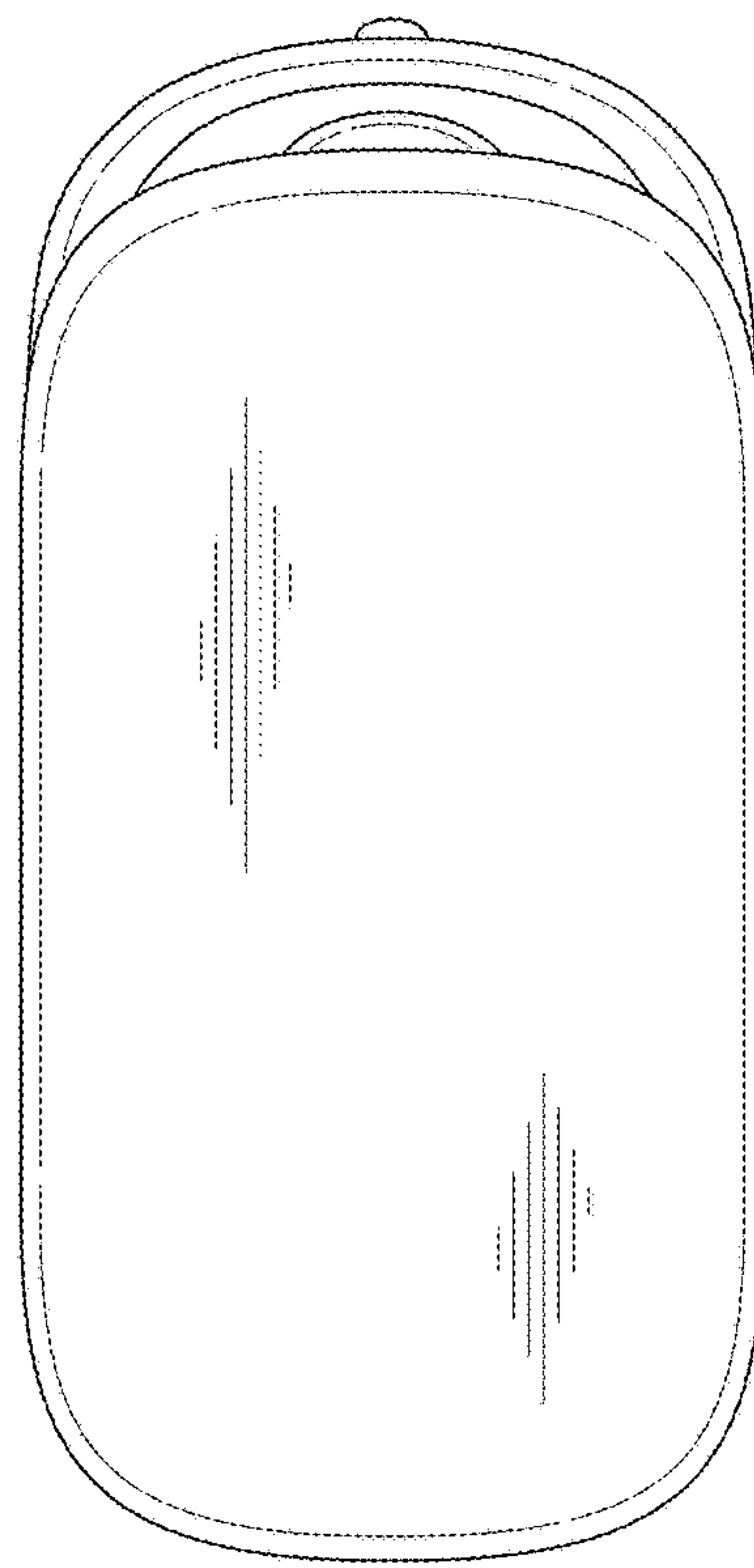


Fig. 7