



US00D861741S

(12) **United States Design Patent**
Humphrey et al.

(10) **Patent No.:** **US D861,741 S**

(45) **Date of Patent:** **** Oct. 1, 2019**

(54) **AGRICULTURAL SPRAYER HOOD**

(71) Applicant: **EXEL INDUSTRIES**, Epernay (FR)

(72) Inventors: **Linda Humphrey**, Epernay (FR); **Greg Long**, Epernay (FR)

(**) Term: **15 Years**

(21) Appl. No.: **35/504,908**

(22) Filed: **Jan. 19, 2018**

(80) **Hague Agreement Data**

Int. Filing Date: **Jan. 19, 2018**

Int. Reg. No.: **DM/100843**

Int. Reg. Date: **Jan. 19, 2018**

Int. Reg. Pub. Date: **May 11, 2018**

(51) **LOC (12) Cl.** **15-03**

(52) **U.S. Cl.**
USPC **D15/31**

(58) **Field of Classification Search**
USPC D15/10-33
CPC A01D 2101/00; A01D 34/008; A01D
34/6806; A01D 42/00; A01D 43/063;
A01D 93/00

See application file for complete search history.

(56) **References Cited**

U.S. PATENT DOCUMENTS

D355,919 S * 2/1995 Larson D15/13
D565,607 S * 4/2008 Moen D15/31

D743,450 S * 11/2015 Claeys D15/33
D765,738 S * 9/2016 Treinen D15/28
D765,739 S * 9/2016 Borucki, Jr. D15/28
D794,086 S * 8/2017 Thompson D15/26
D797,813 S * 9/2017 Budde D15/26
D838,295 S * 1/2019 Schwalbe D15/26

* cited by examiner

Primary Examiner — Khawaja Anwar

(57) **CLAIM**

The ornamental design for an agricultural sprayer hood, as shown and described.

DESCRIPTION

FIG. 1.1 is a perspective view of an agricultural sprayer hood showing my new design;
FIG. 1.2 is a front view thereof;
FIG. 1.3 is a back view thereof;
FIG. 1.4 is a right view thereof;
FIG. 1.5 is a left view thereof;
FIG. 1.6 is a top view thereof; and
FIG. 1.7 is a bottom view thereof.
The broken lines in the drawing illustrate portions of the agricultural sprayer hood which form no part of the claimed design.

1 Claim, 7 Drawing Sheets

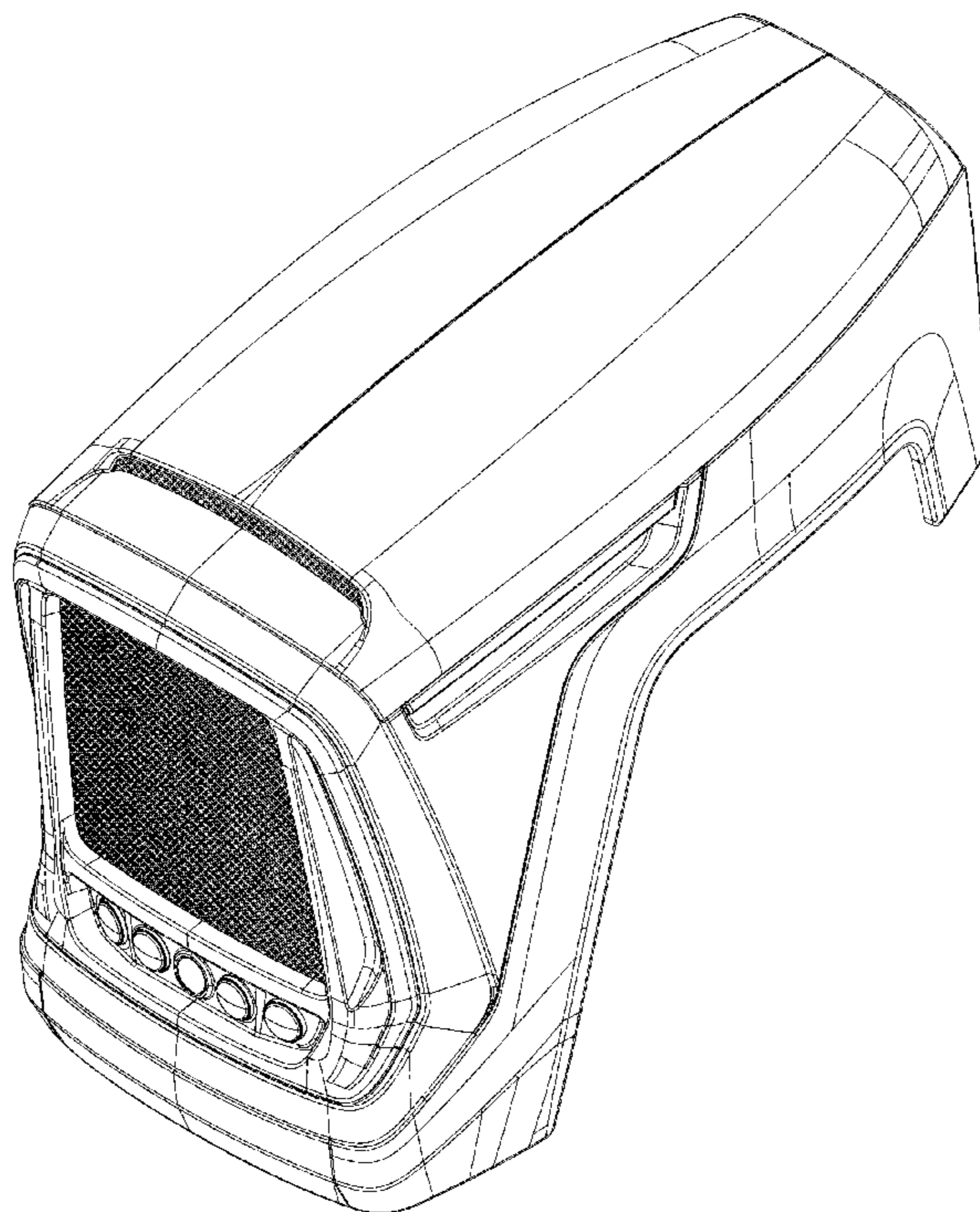


FIG. 1.1

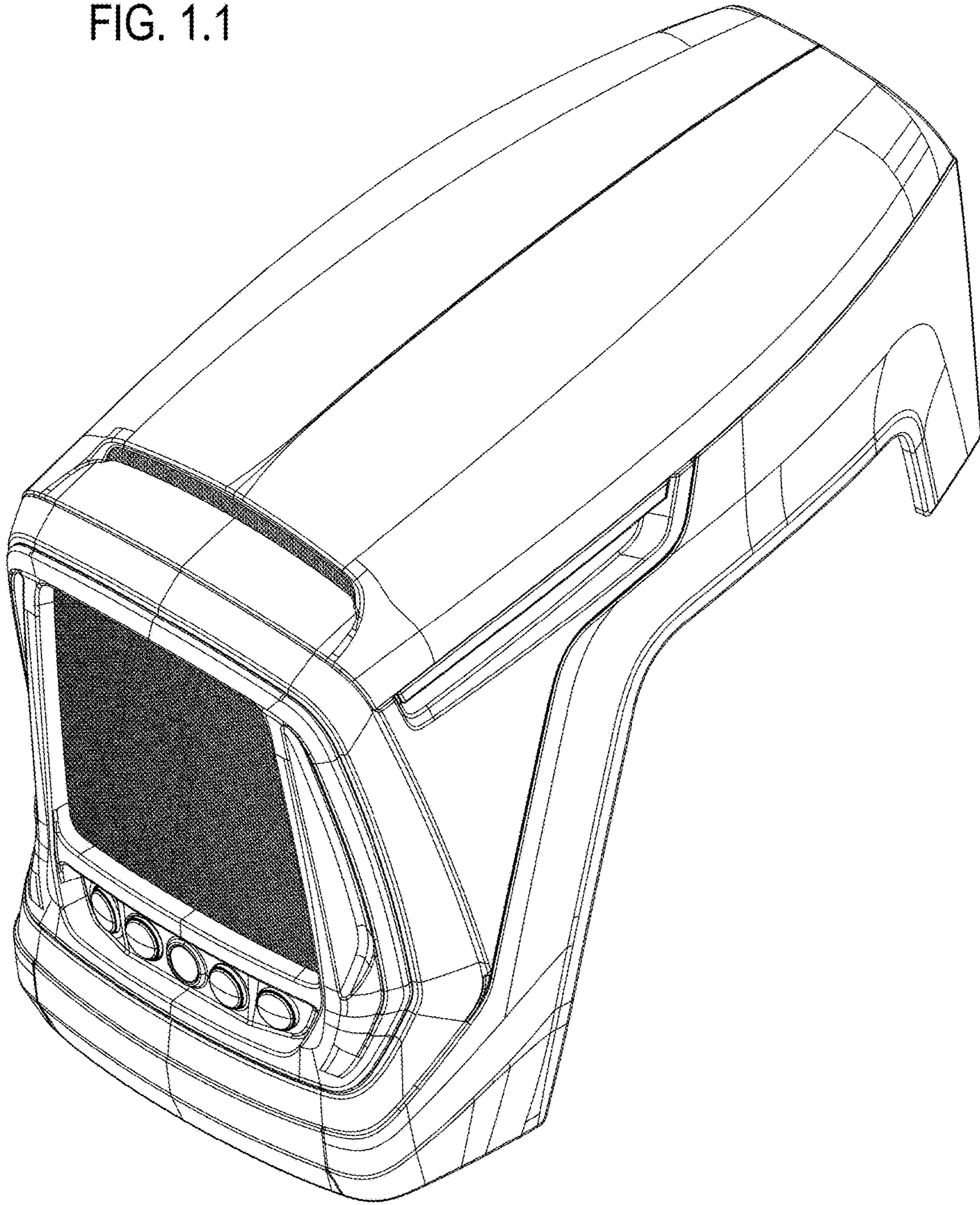


FIG. 1.2

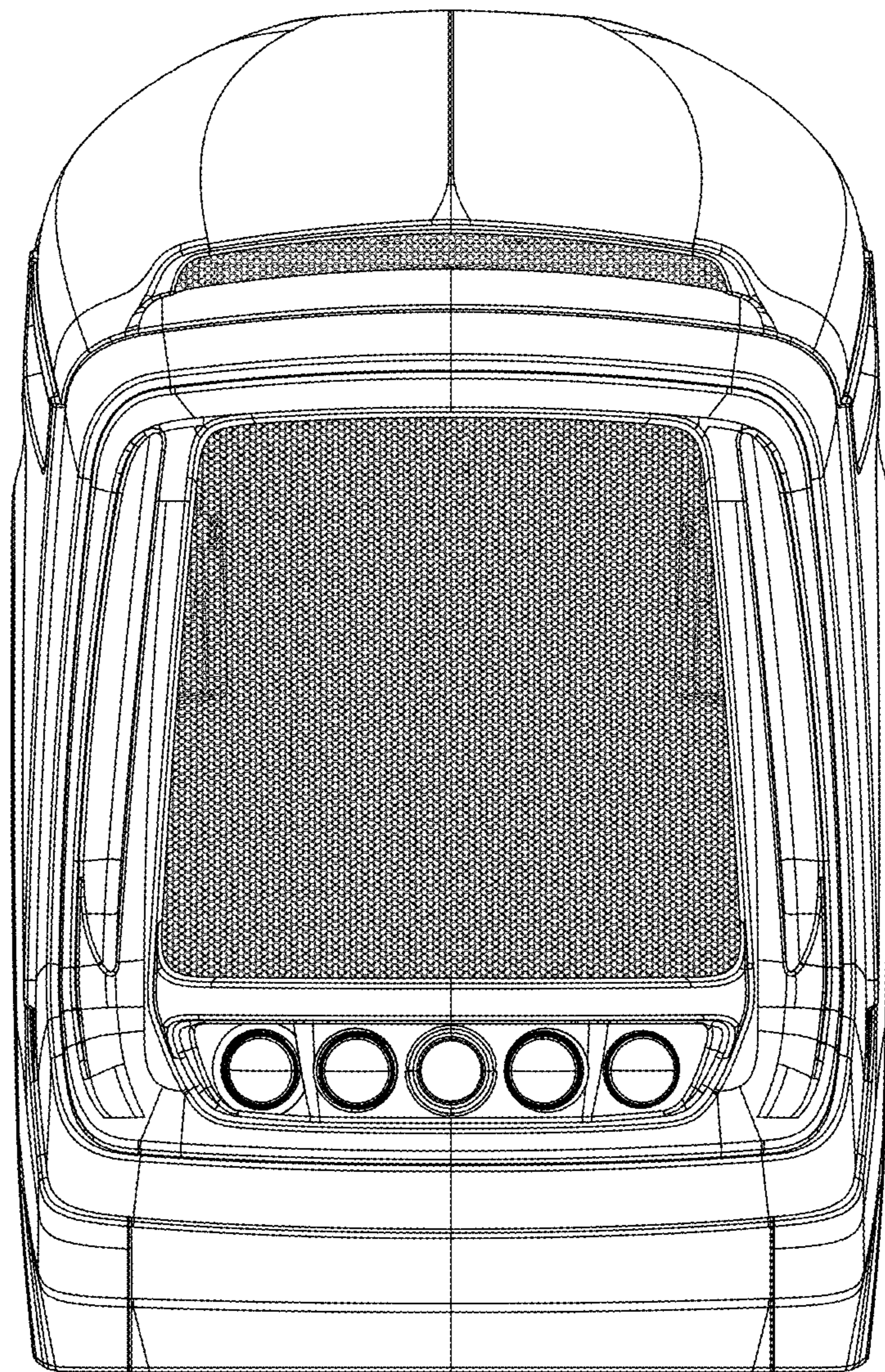


FIG. 1.3

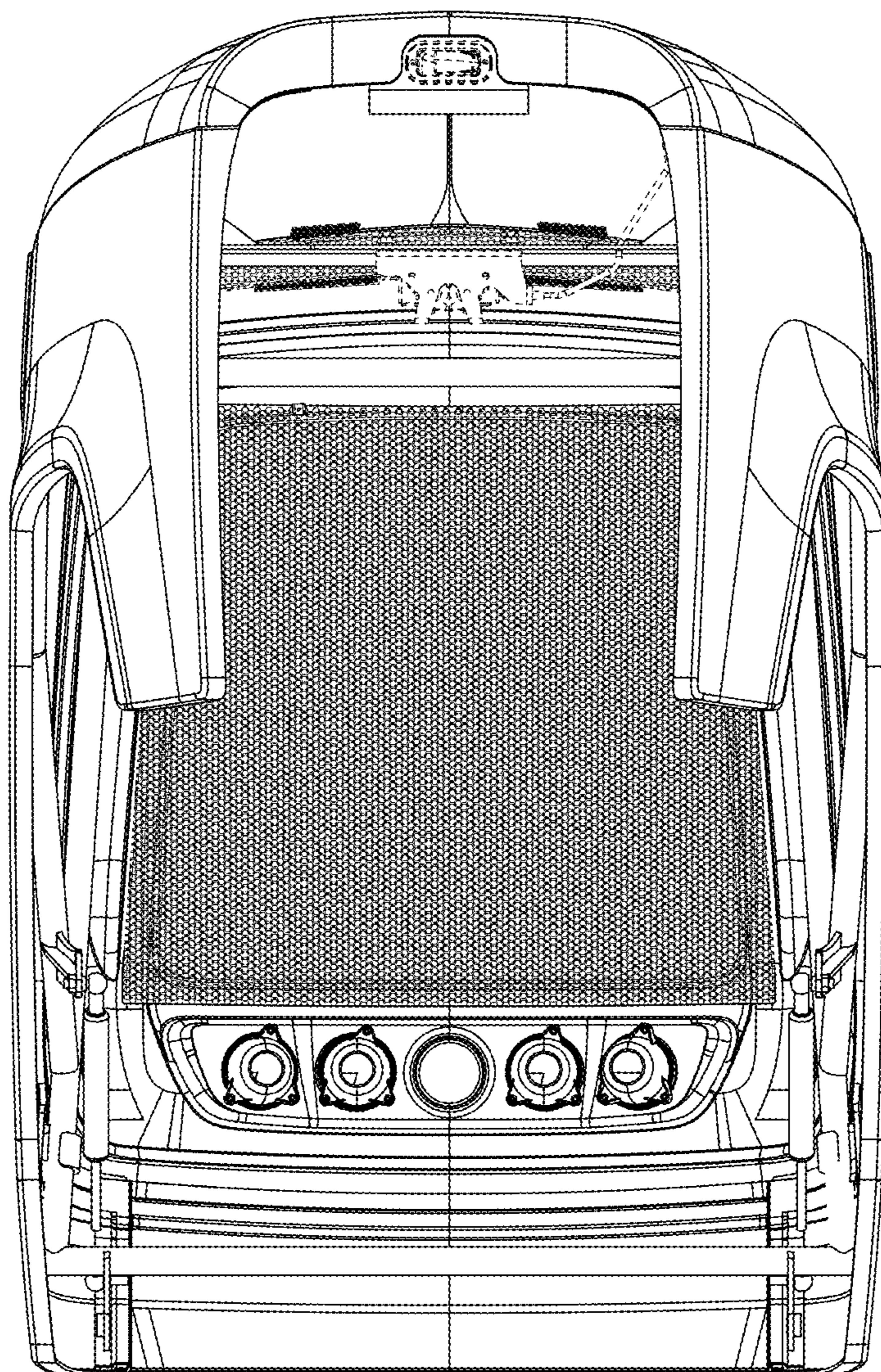


FIG. 1.4

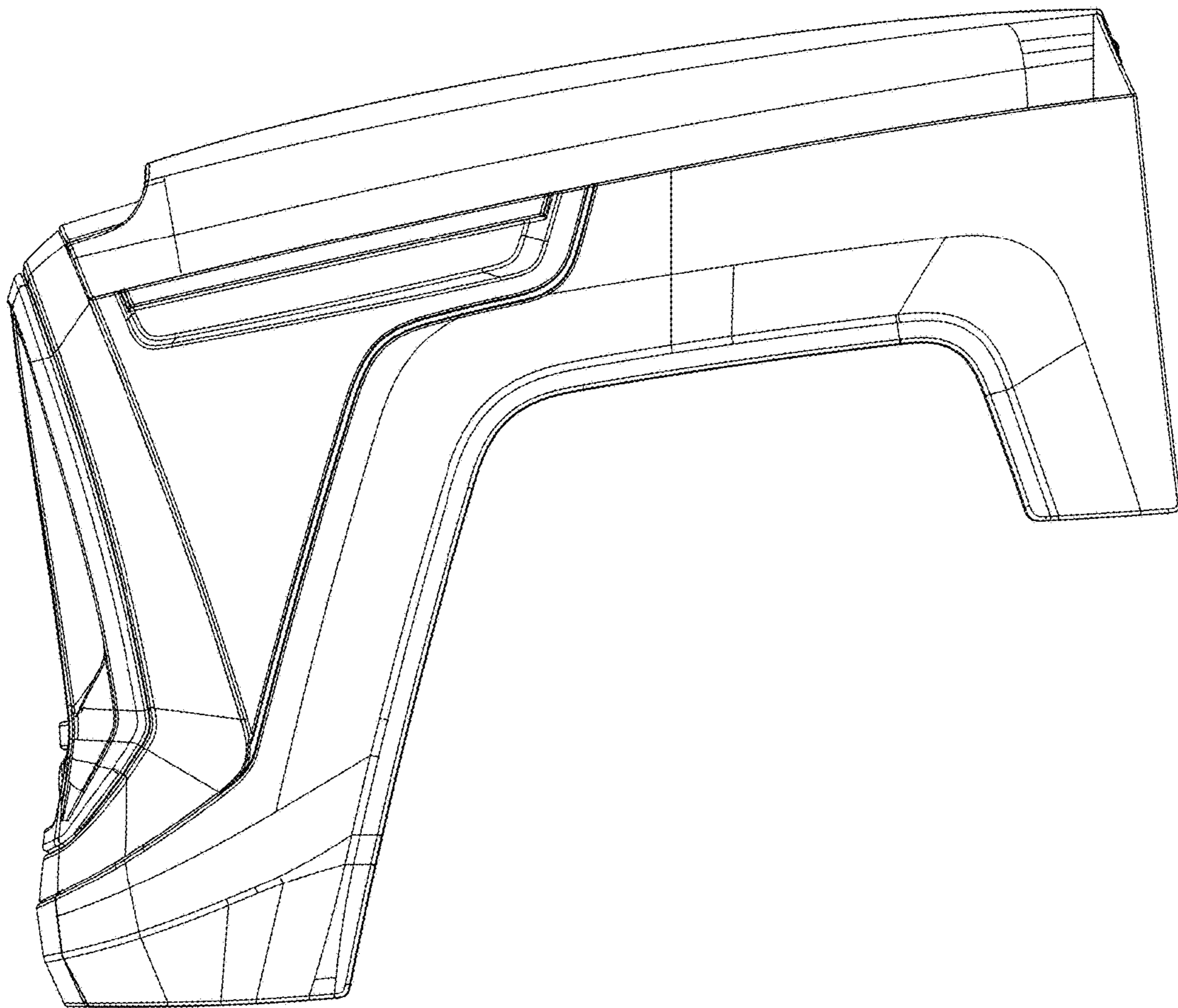


FIG. 1.5

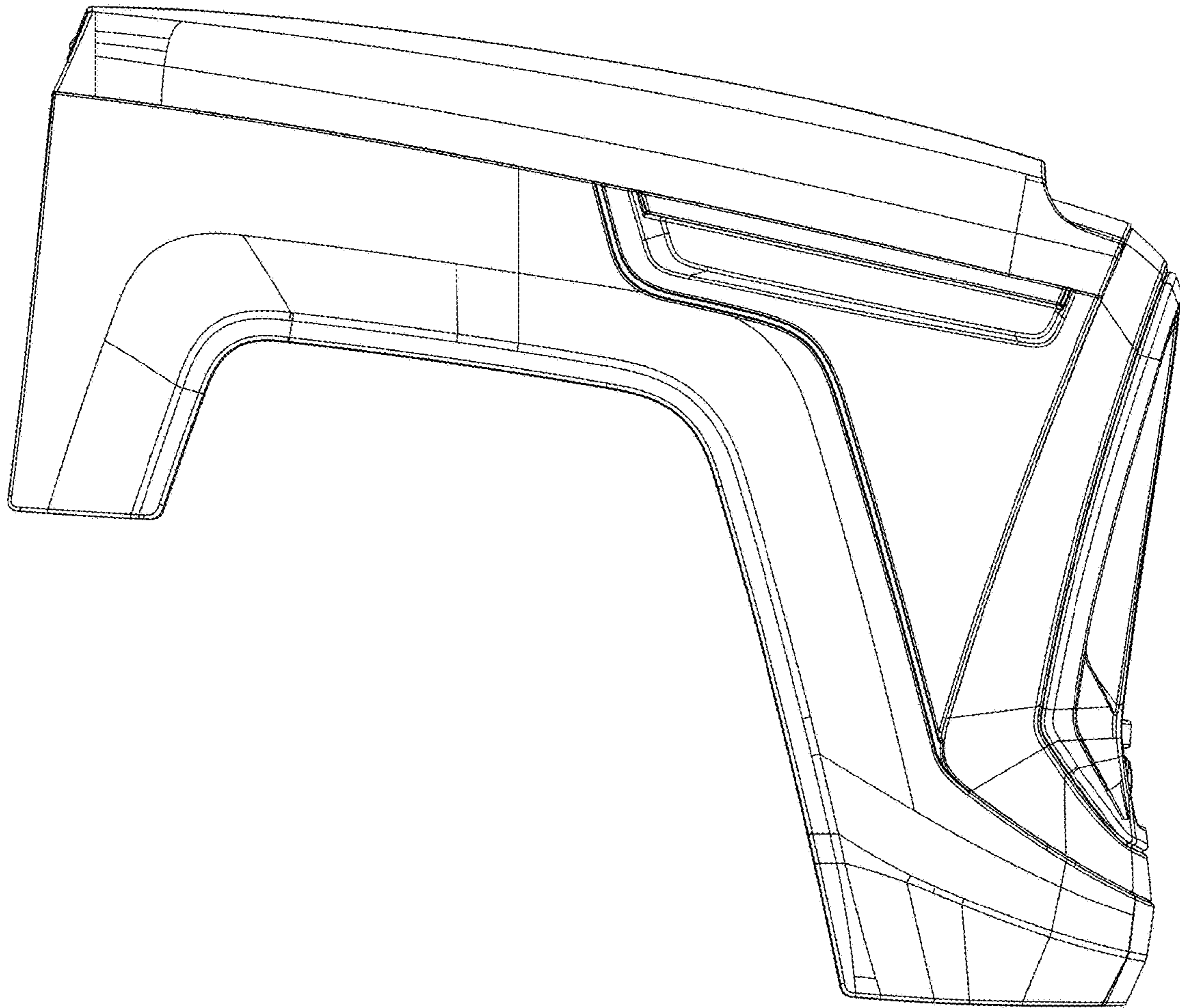


FIG. 1.6

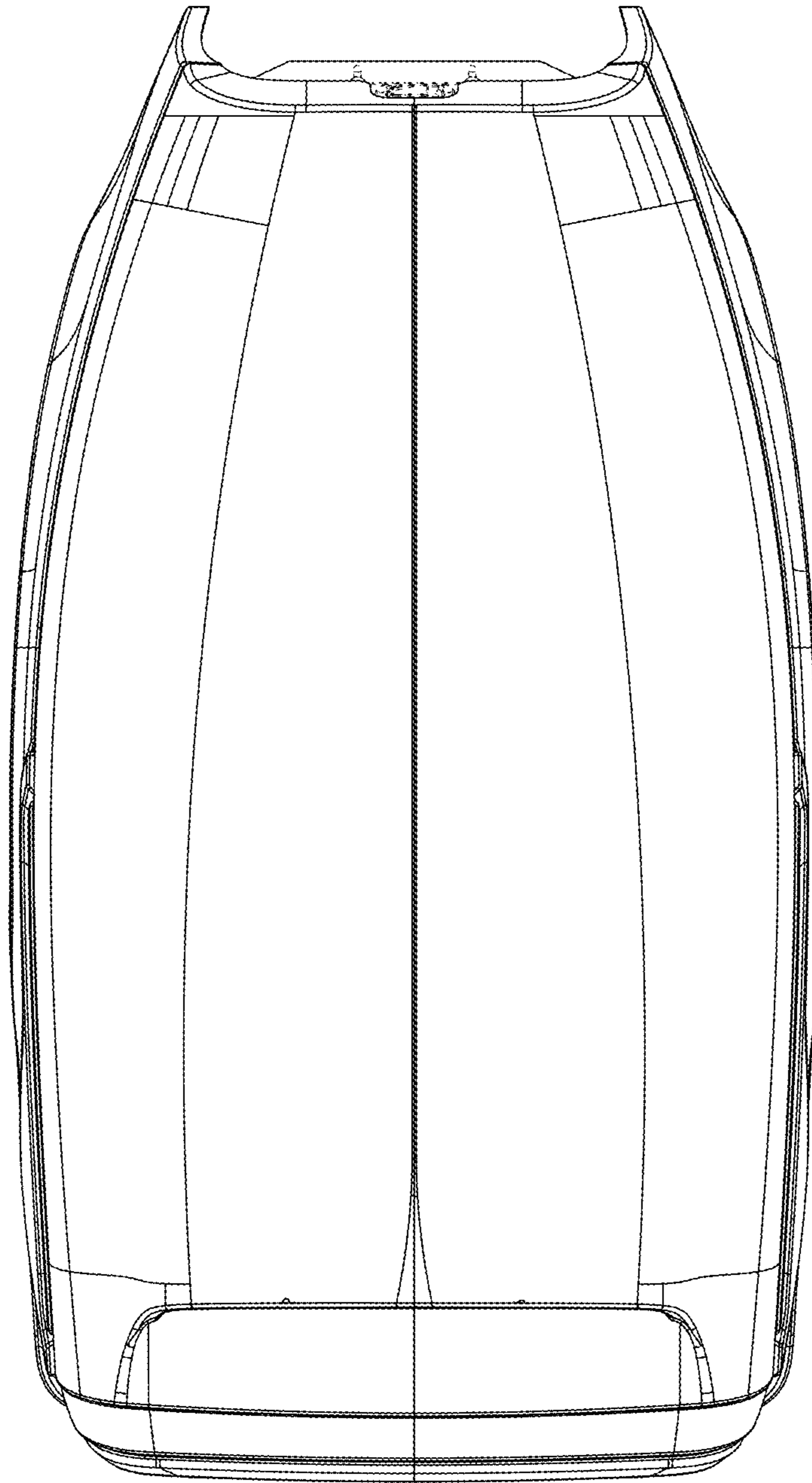


FIG. 1.7

