



US00D861740S

(12) **United States Design Patent** (10) **Patent No.:** **US D861,740 S**  
**Stanley et al.** (45) **Date of Patent:** **\*\* Oct. 1, 2019**

(54) **LAND CLEARING TOOL** 5,205,199 A \* 4/1993 MacLennan ..... B23D 61/04  
83/839  
(71) Applicant: **Fecon, Inc.**, Lebanon, OH (US) 5,207,748 A \* 5/1993 Katbi ..... B23B 27/143  
407/114  
(72) Inventors: **Jeffrey T. Stanley**, Lebanon, OH (US); 5,211,212 A 5/1993 Carlson et al.  
**Steven K. Watson, III**, Lebanon, OH 5,307,719 A 5/1994 MacLennan  
(US) 5,333,938 A 8/1994 Gale  
5,644,965 A 7/1997 MacLennan et al.  
5,647,263 A \* 7/1997 Wildey ..... B23D 61/04  
83/835  
(73) Assignee: **Fecon, Inc.**, Lebanon, OH (US) 5,873,534 A 2/1999 Shinn  
6,047,749 A 4/2000 Lamb  
(\*\*) Term: **15 Years** 6,050,752 A \* 4/2000 DeRoche ..... B23C 5/202  
407/114  
(21) Appl. No.: **29/646,058** 6,601,620 B1 8/2003 Monyak et al.  
D486,503 S 2/2004 East  
D488,174 S 4/2004 East  
(22) Filed: **May 1, 2018** 6,725,758 B2 4/2004 MacLennan et al.  
6,810,783 B1 11/2004 Larose  
(51) **LOC (12) Cl.** ..... **15-03** D517,104 S \* 3/2006 East ..... D15/139  
(52) **U.S. Cl.** 7,461,675 B2 12/2008 Eriksson  
USPC ..... **D15/28**; D15/29  
(58) **Field of Classification Search**  
USPC ..... D15/20, 21, 28, 29; 172/548, 540, 122,  
172/554; 241/294, 242, 300, 189, 194,  
241/195; 37/454, 453, 456, 452;  
404/121, 235, 24.12, 34.1, 4.1; 144/241,  
144/235, 24.12, 34.1, 4.1; 83/840;  
56/13.6  
CPC ..... E02F 9/2833; E02F 9/2841; E02F 9/28;  
B02C 18/18; B02C 18/16; B02C 18/14;  
B02C 18/06; B02C 18/146; B02C 18/184;  
B02C 18/145; B02C 1/10  
See application file for complete search history.

*Primary Examiner* — Mark A Goodwin  
(74) *Attorney, Agent, or Firm* — Ulmer & Berne LLP

(57) **CLAIM**

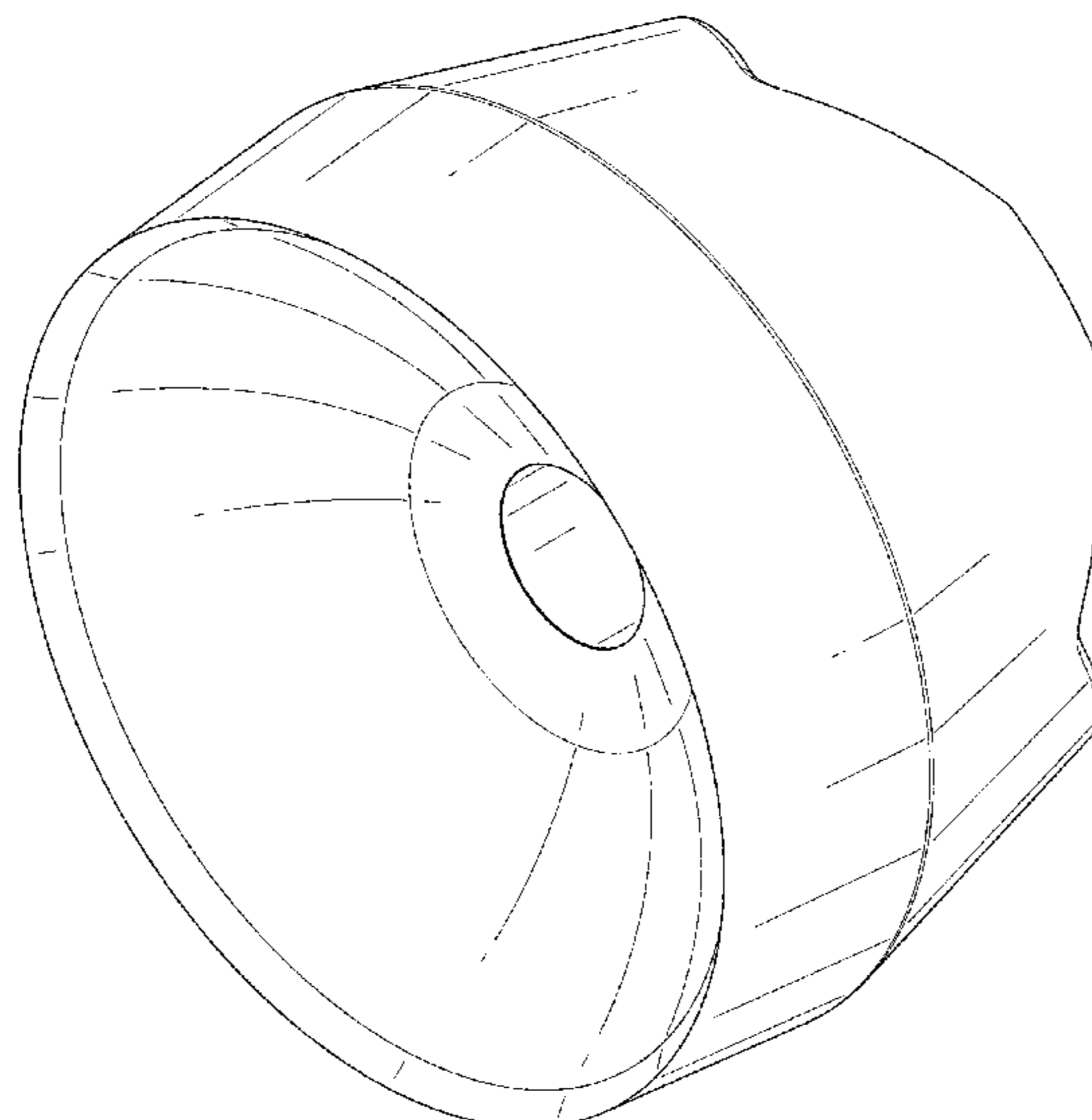
The ornamental design of a land clearing tool, as shown and described.

**DESCRIPTION**

FIG. 1 an isometric view of a land clearing tool;  
FIG. 2 is a rear isometric view thereof;  
FIG. 3 is a right side view thereof;  
FIG. 4 is a left side view thereof;  
FIG. 5 is a top view thereof;  
FIG. 6 is a bottom view thereof;  
FIG. 7 is a front view thereof; and,  
FIG. 8 is a back view thereof.  
The contour lines in FIGS. 1-8 represent contour and not surface ornamentation.

**1 Claim, 8 Drawing Sheets**

(56) **References Cited**  
U.S. PATENT DOCUMENTS  
4,231,406 A 11/1980 Jonsson  
4,329,091 A 5/1982 Erkfritz  
4,621,955 A 11/1986 Briese  
4,667,713 A 5/1987 Wright  
4,709,737 A 12/1987 Jonsson  
4,738,291 A 4/1988 Isley  
4,932,447 A 6/1990 Morin  
5,135,035 A 8/1992 Mills



(56)

**References Cited**

U.S. PATENT DOCUMENTS

7,634,897	B2	12/2009	MacLennan et al.	
7,713,006	B2 *	5/2010	MacLennan .....	B23C 5/207 407/113
D647,928	S *	11/2011	MacLennan .....	D15/139
8,540,033	B2 *	9/2013	Stanley .....	A01B 33/142 172/548
D757,124	S *	5/2016	Stanley .....	D15/28
D772,951	S *	11/2016	Stanley .....	D15/21
D791,195	S *	7/2017	Stanley .....	D15/28
D795,929	S *	8/2017	Stanley .....	D15/21
D795,931	S *	8/2017	Stanley .....	D15/28
D804,551	S *	12/2017	Rhode .....	D15/139
D812,115	S *	3/2018	MacLennan .....	B27B 33/12 D15/139
D821,455	S *	6/2018	Stanley .....	D15/28
D835,680	S *	12/2018	Stanley .....	D15/28
D835,681	S *	12/2018	Stanley .....	D15/28
D835,682	S *	12/2018	Stanley .....	D15/28
D836,137	S *	12/2018	Stanley .....	D15/28
2007/0193428	A1	8/2007	MacLennan et al.	
2011/0100658	A1	5/2011	Stanley et al.	
2015/0360385	A1	12/2015	Shaver et al.	

\* cited by examiner

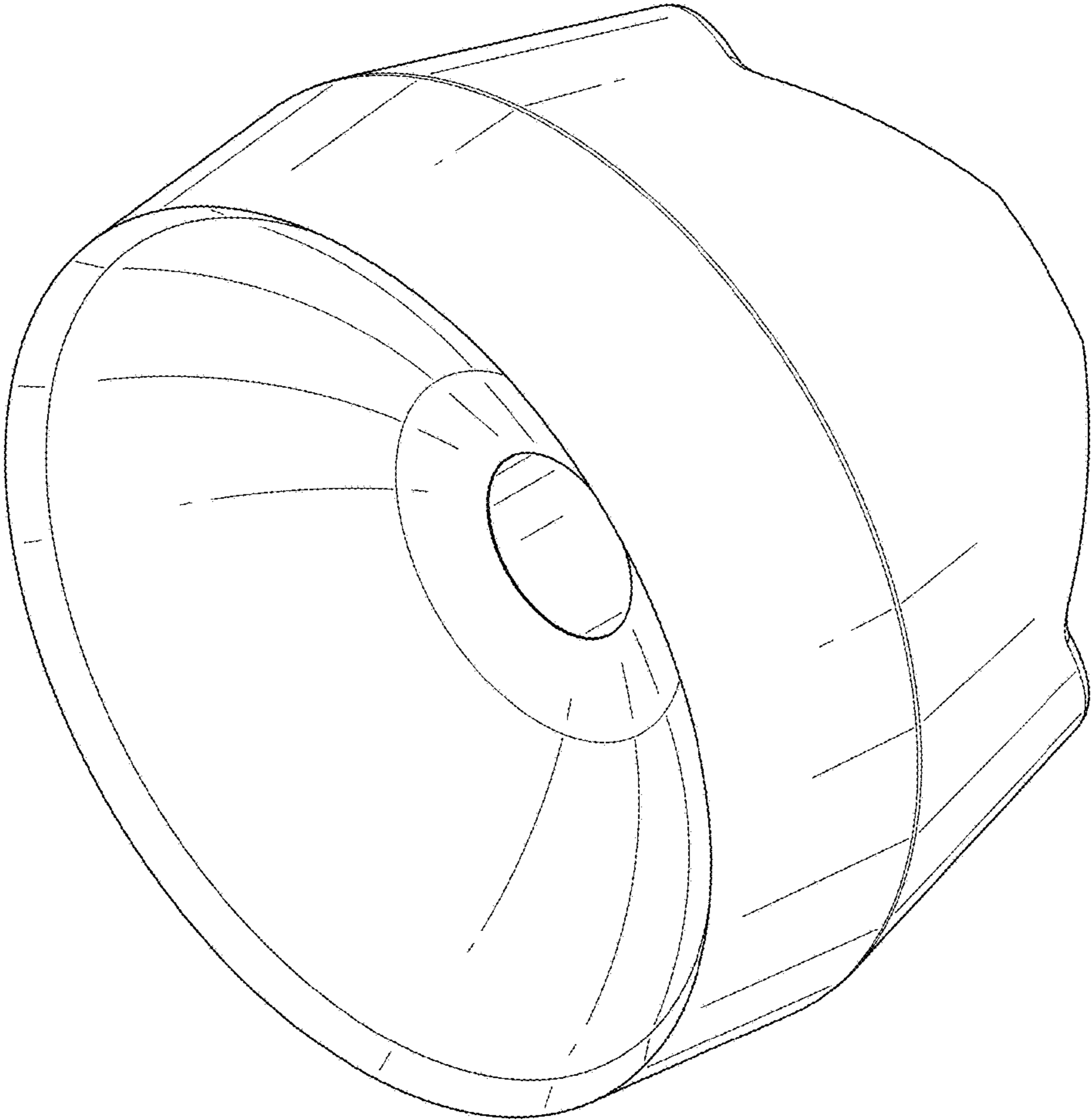


FIG. 1

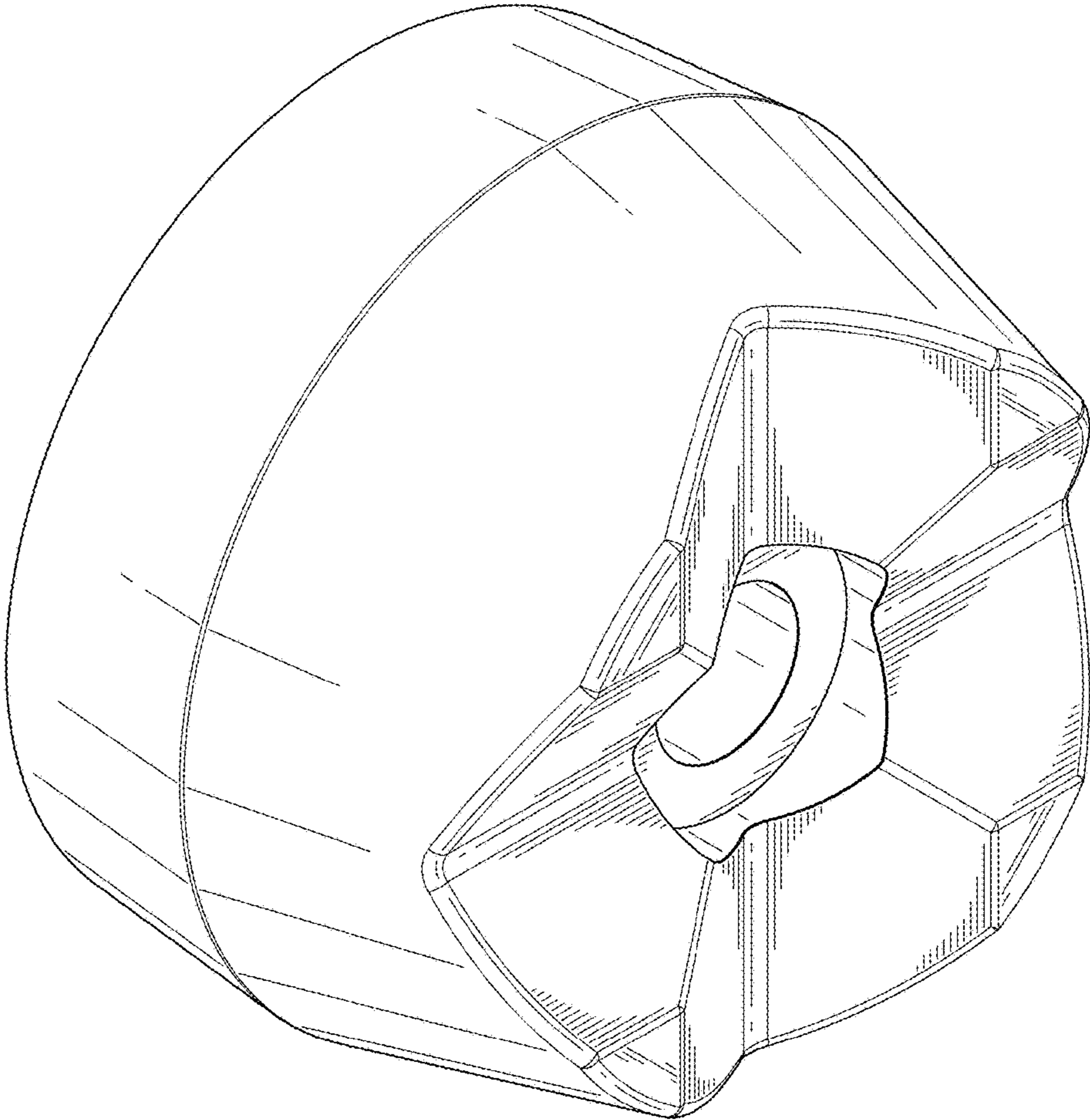


FIG. 2

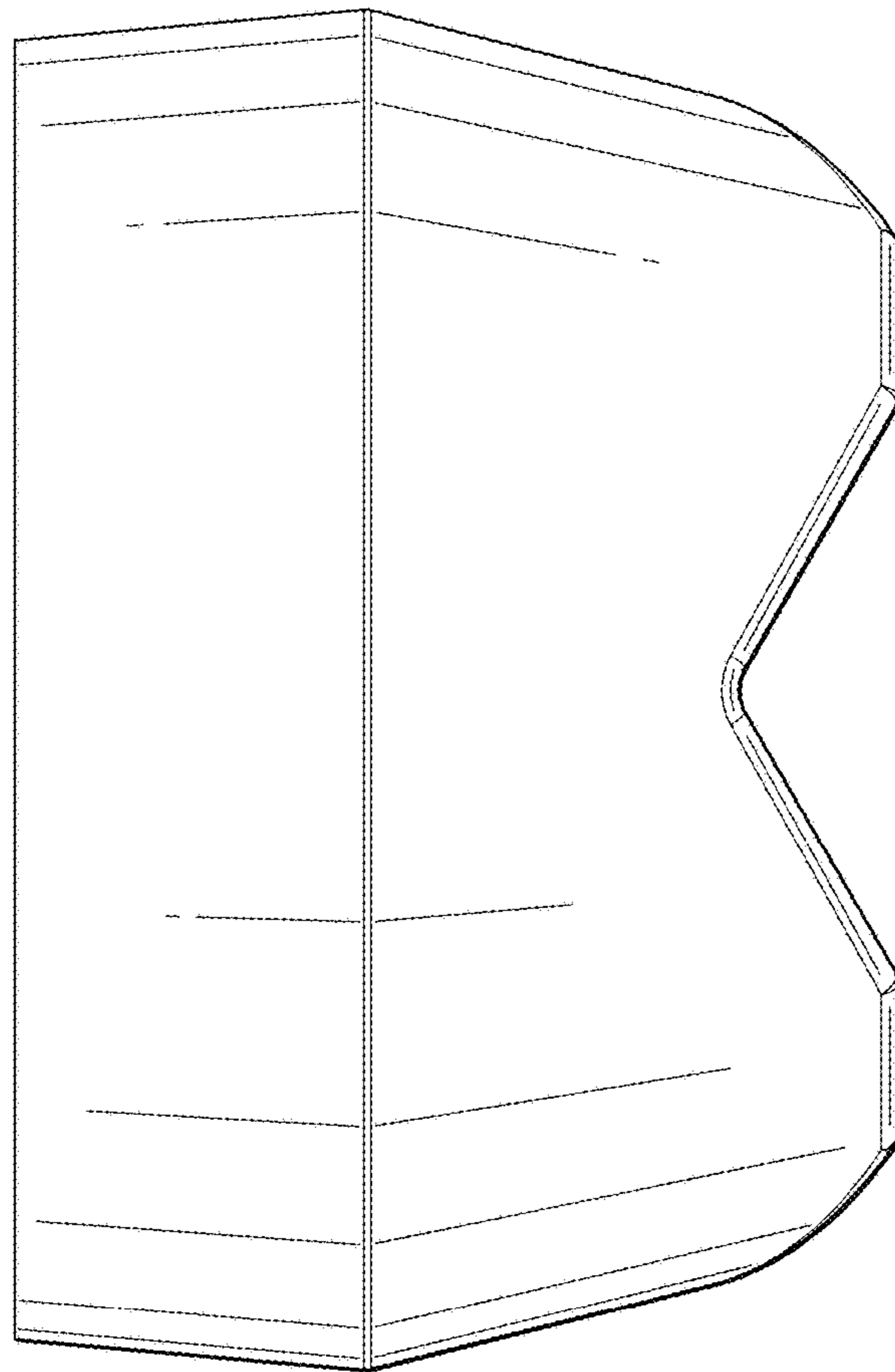


FIG. 3

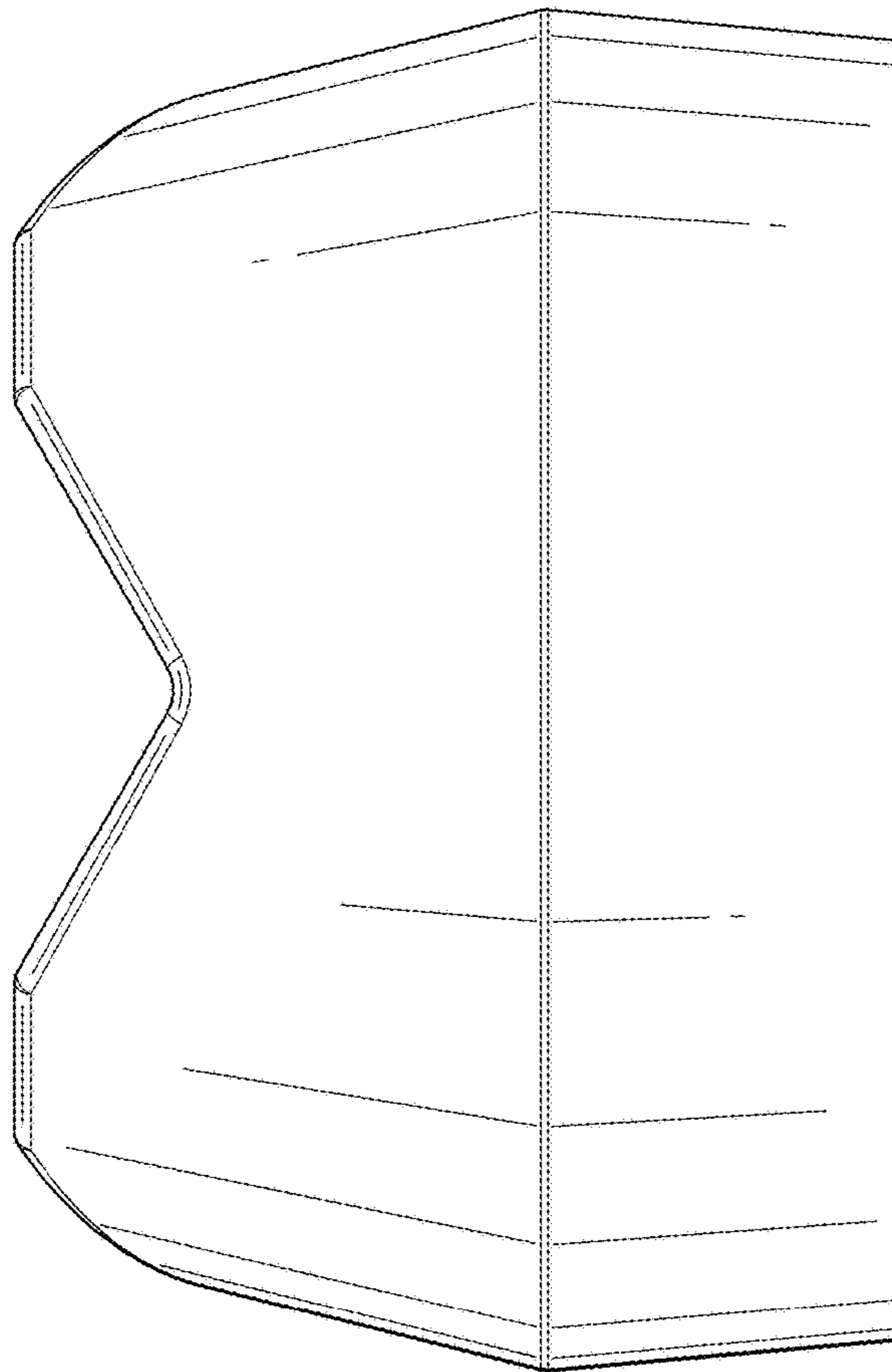


FIG. 4

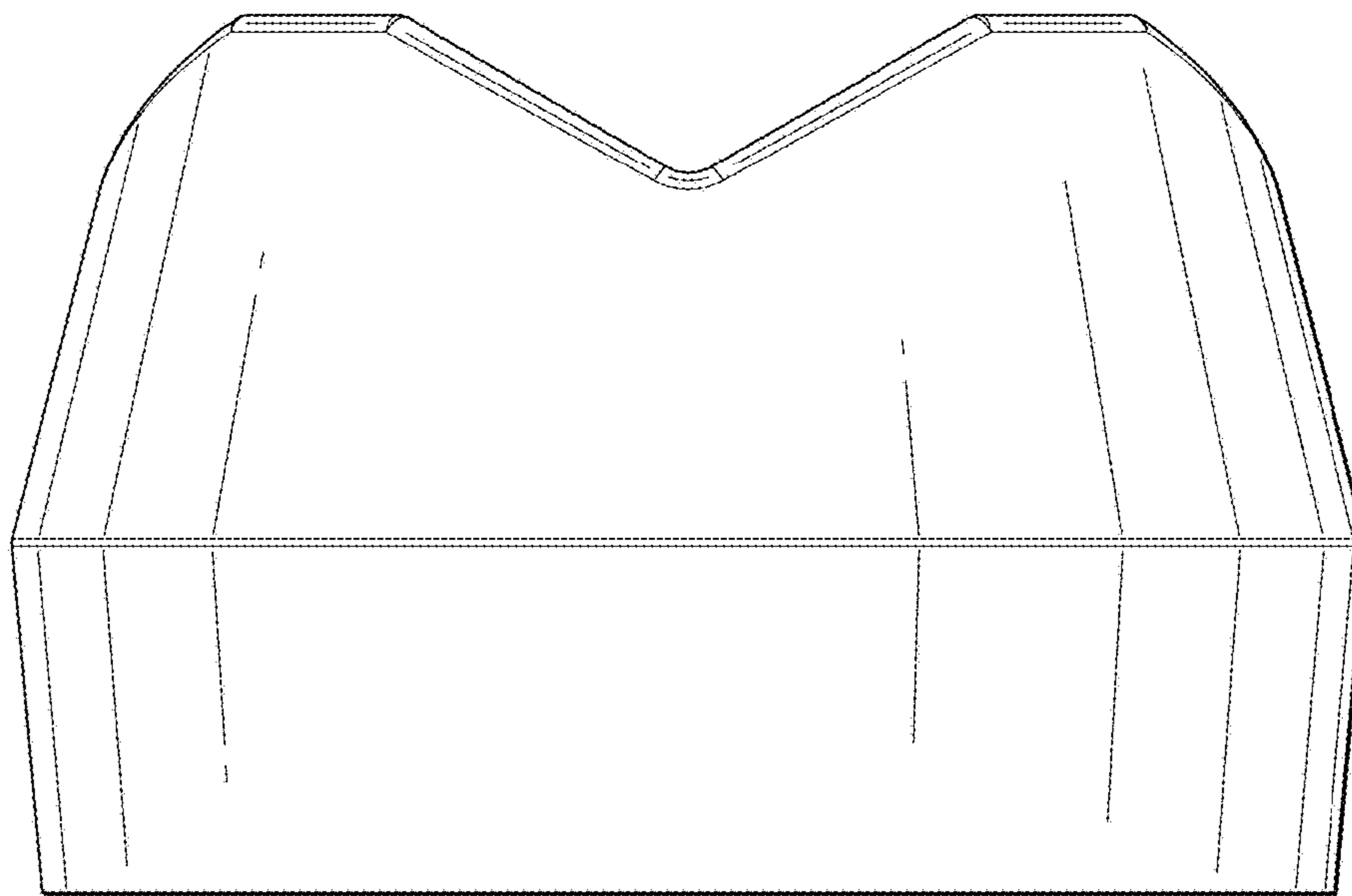


FIG. 5

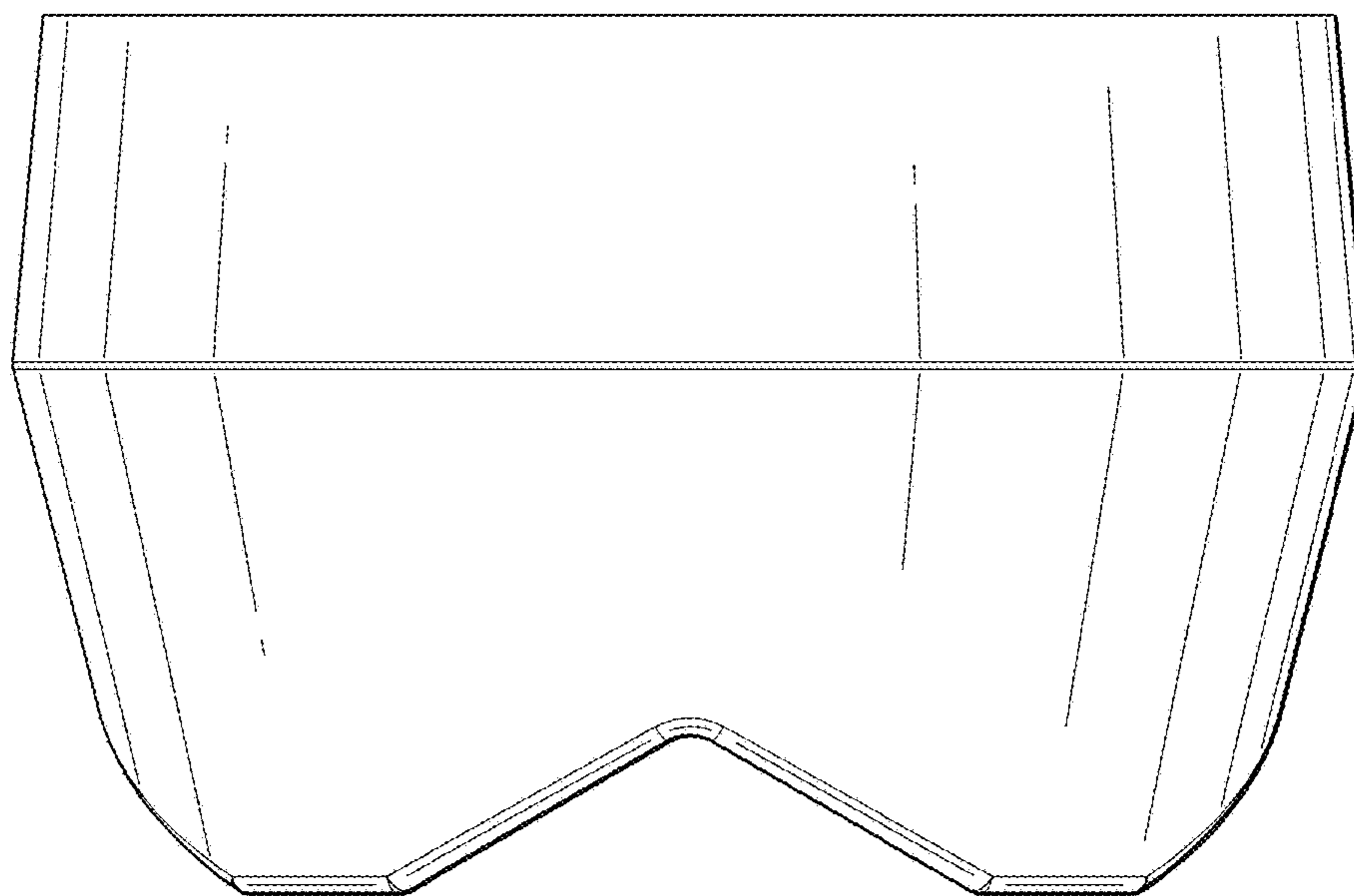


FIG. 6



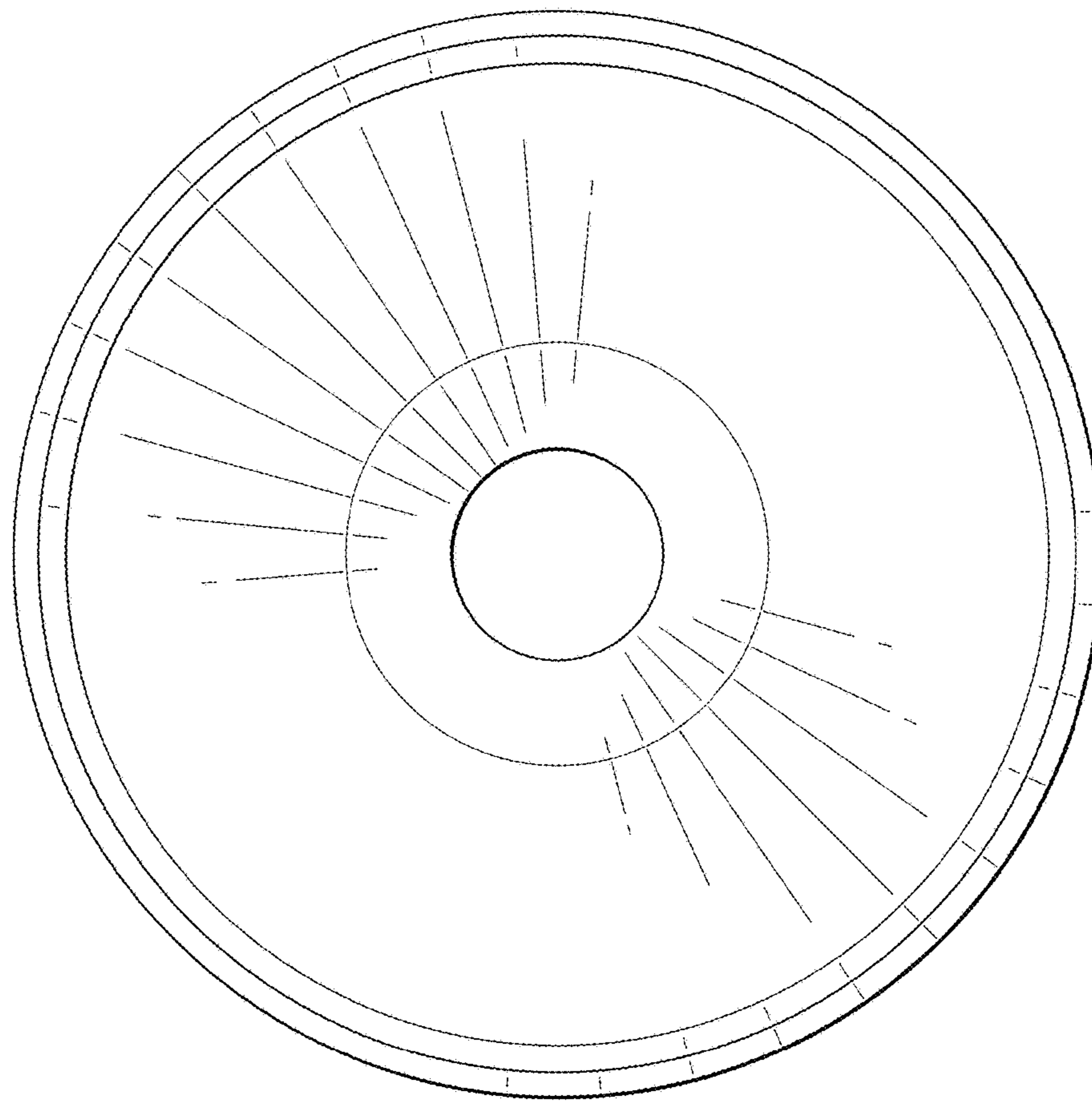


FIG. 7

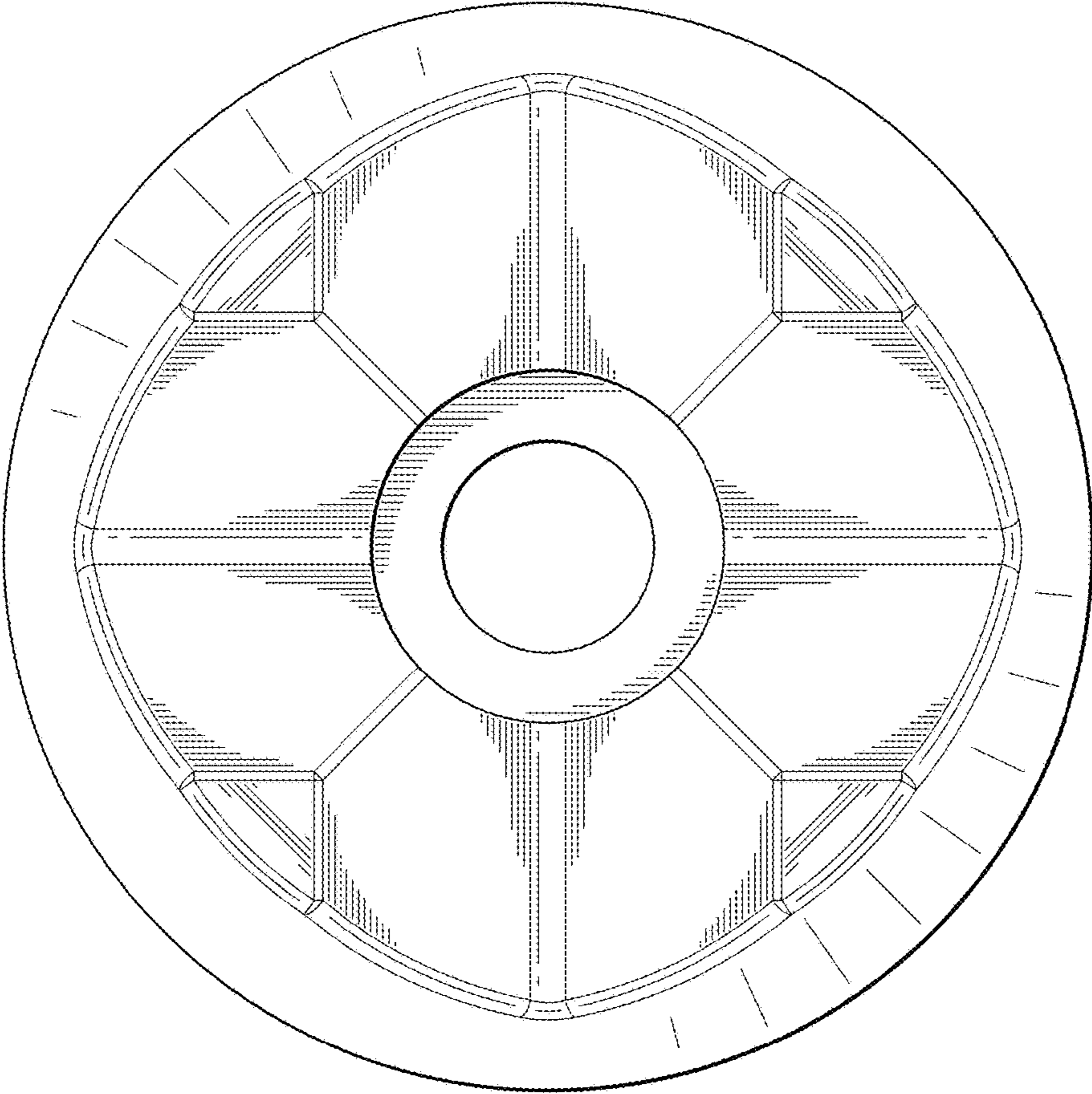


FIG. 8