



US00D861739S

(12) **United States Design Patent**
Fox et al.

(10) **Patent No.:** **US D861,739 S**
(45) **Date of Patent:** **** Oct. 1, 2019**

- (54) **SLOPE ROLLER**
- (71) Applicant: **Independence Excavating, Inc.**,
Independence, OH (US)
- (72) Inventors: **Justin Fox**, Valencia, PA (US); **Jeff Vivian**, Sarver, PA (US)
- (73) Assignee: **Independence Excavating, Inc.**,
Independence, OH (US)
- (**) Term: **15 Years**
- (21) Appl. No.: **29/644,466**
- (22) Filed: **Apr. 18, 2018**
- (51) **LOC (12) Cl.** **15-03**
- (52) **U.S. Cl.**
USPC **D15/28; D15/29; D15/20**
- (58) **Field of Classification Search**
USPC D15/28, 29, 20, 21, 27, 11, 17, 19;
172/21, 174, 176, 177, 240, 322, 452,
172/518, 540, 542, 548, 556, 118-122
CPC E01C 19/268; E01C 19/43; E02D 3/00;
E02D 3/039; E02D 3/032; E02D 3/026;
E02D 17/20; B60R 1/00; B60R 2300/80;
A01B 29/045
See application file for complete search history.

(56) **References Cited**

U.S. PATENT DOCUMENTS

- 365,773 A * 7/1887 Bailey E01C 19/26
404/122
- 546,194 A * 9/1895 Shaw E01C 19/27
404/132
- 557,006 A * 3/1896 Miller A01B 39/04
172/431
- 1,052,643 A * 2/1913 Baechle E01C 19/27
404/132
- 1,099,185 A * 6/1914 Loveland E01C 19/236
404/124

- 2,741,968 A * 4/1956 Harris A01B 1/243
172/21
- 3,071,050 A * 1/1963 Shatto E02D 3/026
172/554
- 3,318,211 A * 5/1967 Grace E02D 3/026
404/124
- 3,687,023 A * 8/1972 Moser A01B 29/045
172/52
- 3,823,983 A * 7/1974 Peterson E02D 3/026
301/43
- 3,832,079 A * 8/1974 Moorhead B44B 5/0009
404/124
- 3,989,404 A * 11/1976 Burton E01C 19/266
404/128
- 4,090,570 A * 5/1978 Alexander A01G 23/093
172/116
- 4,193,457 A * 3/1980 Sphar A01B 29/045
172/464

(Continued)

Primary Examiner — Mark A Goodwin

(74) *Attorney, Agent, or Firm* — McDonald Hopkins LLC

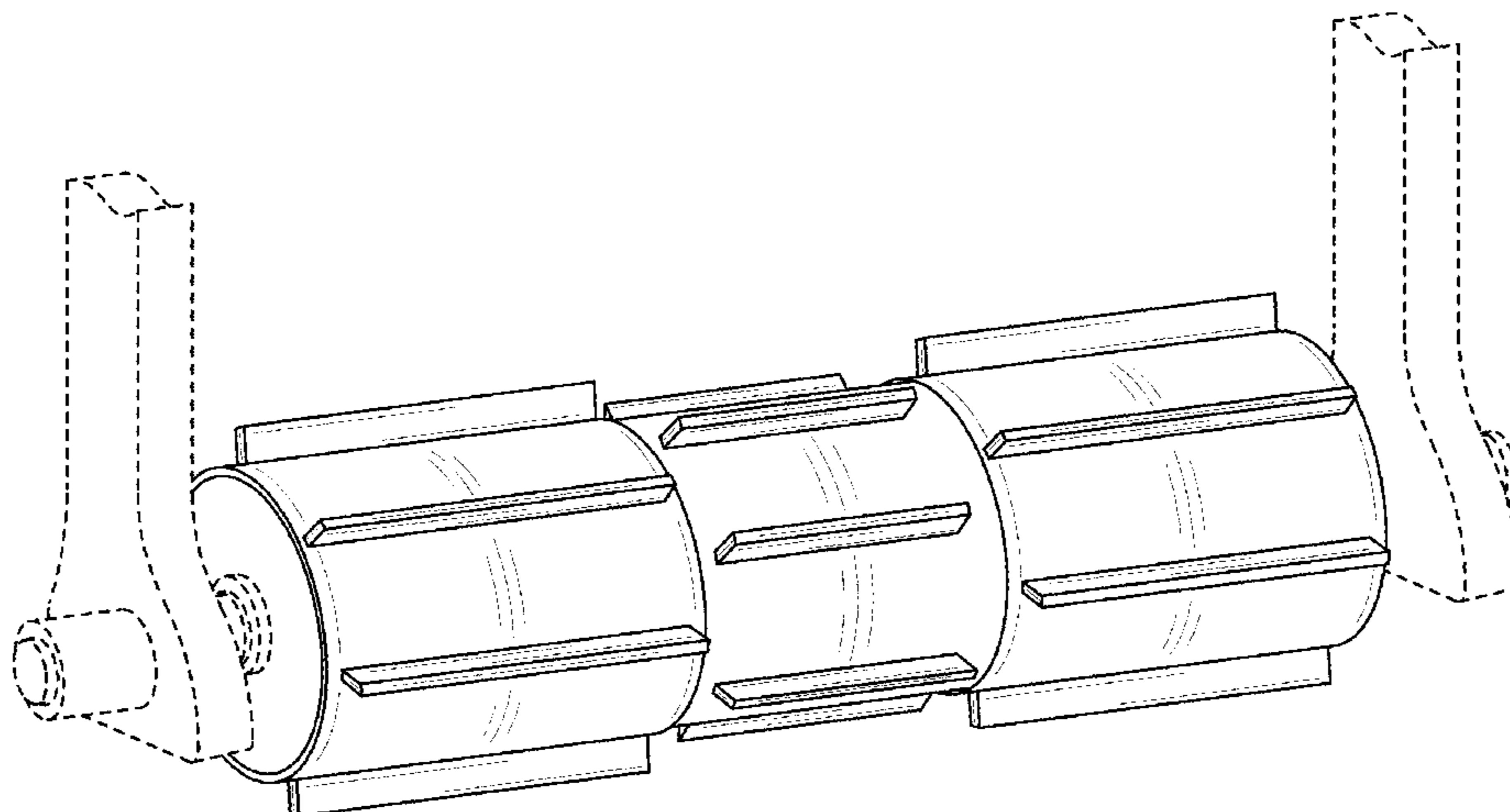
(57) **CLAIM**

The ornamental design for a slope roller, as shown and described.

DESCRIPTION

FIG. 1 is a perspective view of a slope roller showing our new design;
 FIG. 2 is a front side view thereof;
 FIG. 3 is a back side view thereof;
 FIG. 4 is a first side view thereof;
 FIG. 5 is a second side view thereof;
 FIG. 6 is a top view thereof; and,
 FIG. 7 is a bottom view thereof.
 The broken lines in the figures are included for the purpose of illustrating portions of a machine, a slope roller, or component thereof and form no part of the claimed design.

1 Claim, 6 Drawing Sheets



(56)

References Cited

U.S. PATENT DOCUMENTS

4,195,695 A *	4/1980	Dixon	A01B 29/045	6,968,907 B1 *	11/2005	Raper	A01B 29/045
				172/1					172/518
4,523,873 A *	6/1985	Elliot	E01C 19/238	7,080,955 B2 *	7/2006	Gregg	E01C 19/238
				172/554					404/122
4,775,262 A *	10/1988	Guntharp	E01C 19/236	7,347,645 B2 *	3/2008	Gregg	E01C 19/238
				404/103					404/122
4,964,753 A *	10/1990	Ciminelli	E02D 3/026	7,410,323 B1 *	8/2008	Roth	E01C 19/235
				404/117					404/132
5,033,906 A *	7/1991	Jordan	B44B 5/0009	7,562,517 B1 *	7/2009	Kornecki	A01B 13/02
				404/124					172/554
5,114,269 A *	5/1992	Shepherd	E01C 19/236	10,214,865 B2 *	2/2019	Meier	E02D 3/046
				404/122	2005/0051041 A1 *	3/2005	Gregg	E01C 19/238
5,228,799 A *	7/1993	Sondreal	E01C 19/43					101/110
				404/124	2006/0239776 A1 *	10/2006	Thompson	E02D 3/039
5,421,670 A *	6/1995	Meirick	E01C 19/43					404/124
				404/124	2006/0257208 A1 *	11/2006	Gregg	E01C 19/238
5,511,901 A *	4/1996	Yates	E01C 19/236					404/124
				404/124	2007/0086861 A1 *	4/2007	Pratt	E01C 19/268
5,725,057 A *	3/1998	Taylor	A01B 29/04					404/124
				172/121	2007/0240888 A1 *	10/2007	Wright	A01B 29/041
5,791,815 A *	8/1998	Rowe	E01C 19/285					172/21
				404/103	2008/0267719 A1 *	10/2008	Corcoran	E01C 19/266
5,860,764 A *	1/1999	Roberts	E01C 19/236					405/271
				404/124	2010/0135724 A1 *	6/2010	Roth	E01C 19/235
6,379,081 B1 *	4/2002	Barbulescu	A01B 29/04					404/124
				404/122	2013/0306338 A1 *	11/2013	Wood, Sr.	E01C 19/268
6,539,697 B2 *	4/2003	Burk	A01D 34/8355					172/548
				56/504	2014/0301785 A1 *	10/2014	Meier	E01C 19/23
6,719,485 B1 *	4/2004	Roth	E01C 19/235					404/122
				299/39.4	2016/0047103 A1 *	2/2016	Pratt	E02D 3/026
6,843,615 B1 *	1/2005	Cook	E02D 3/026					404/121
				404/122	2018/0187381 A1 *	7/2018	Meier	E02D 3/046
					2019/0055708 A1 *	2/2019	Fox	E02D 3/00

* cited by examiner

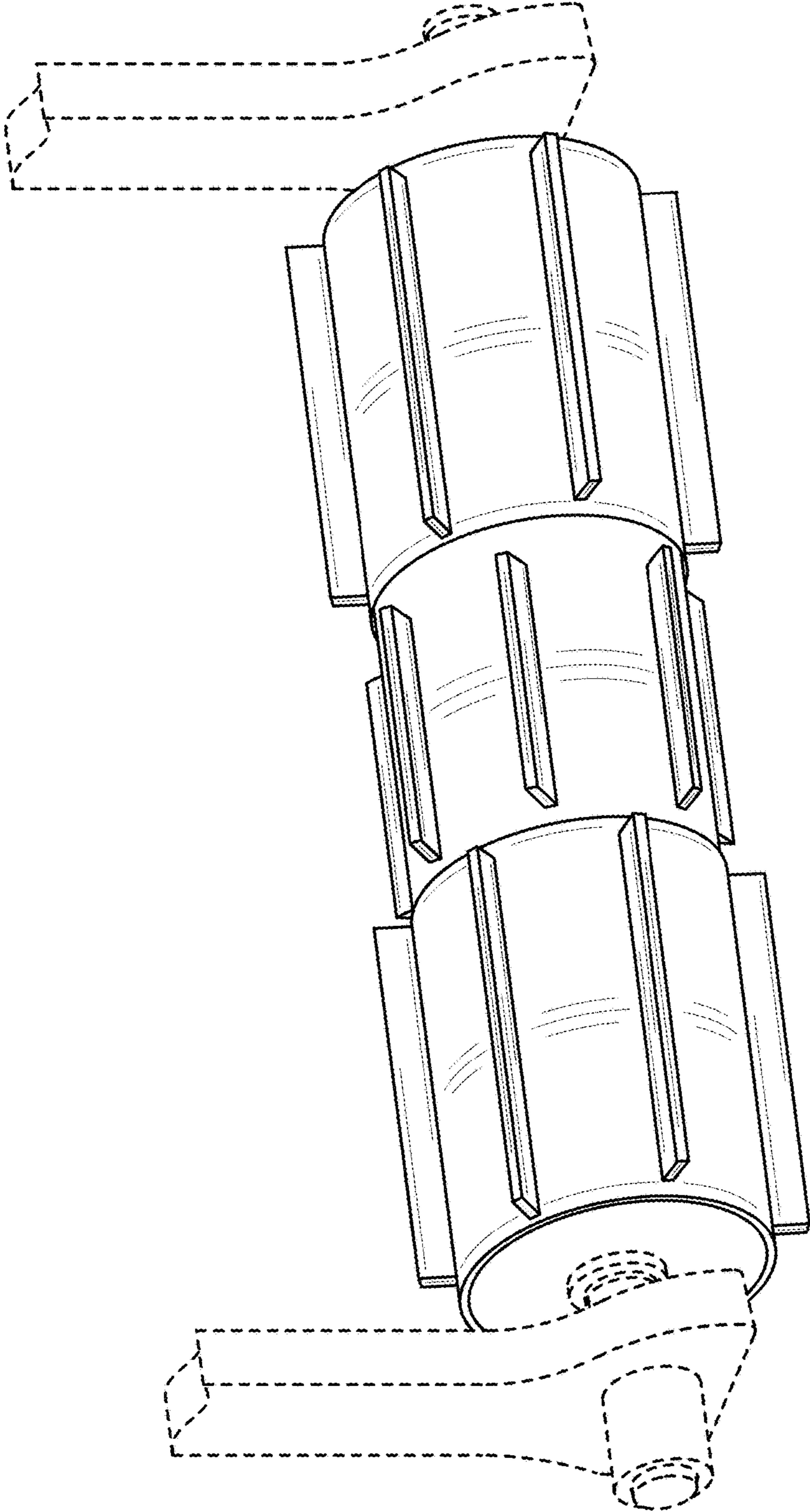


FIG. 1

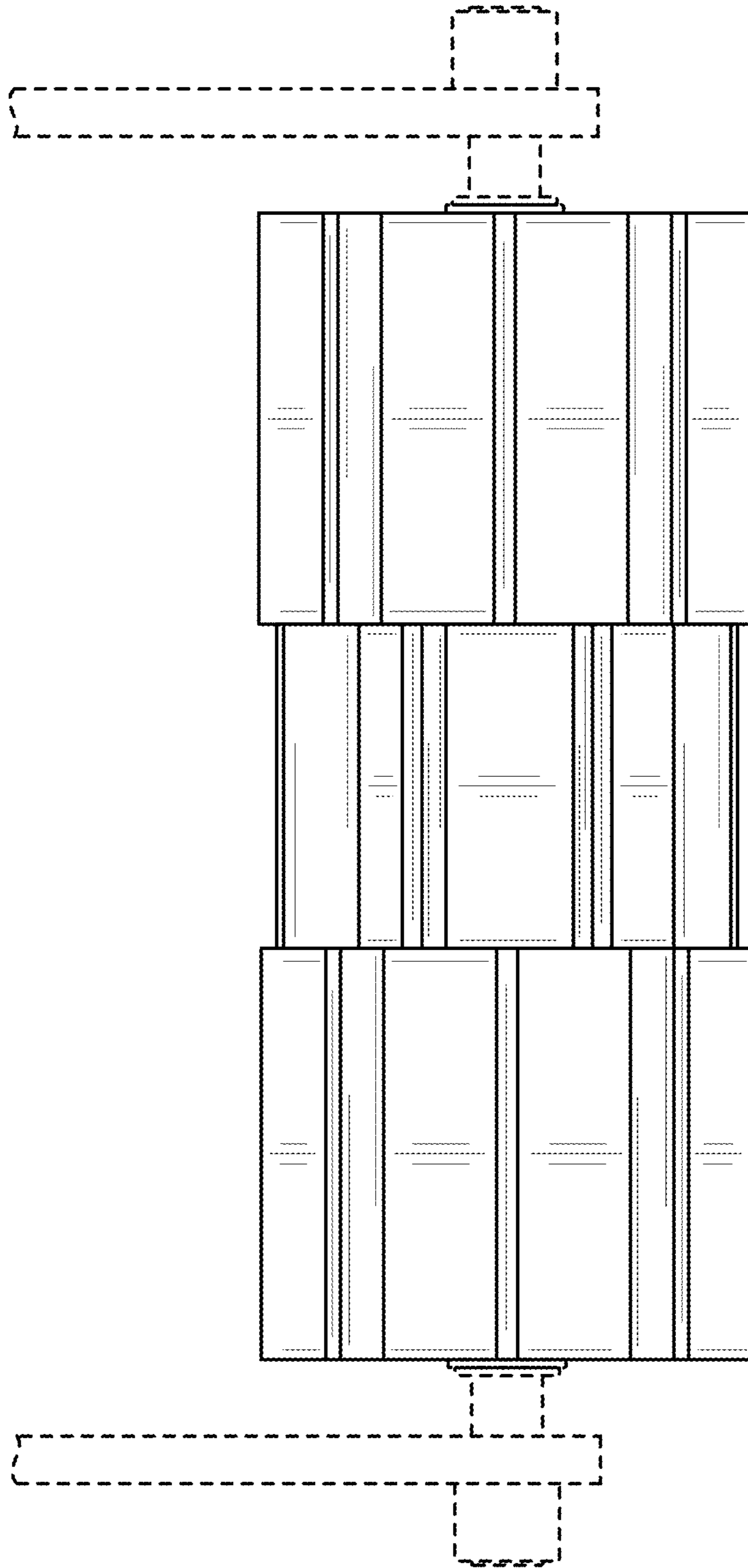


FIG. 2

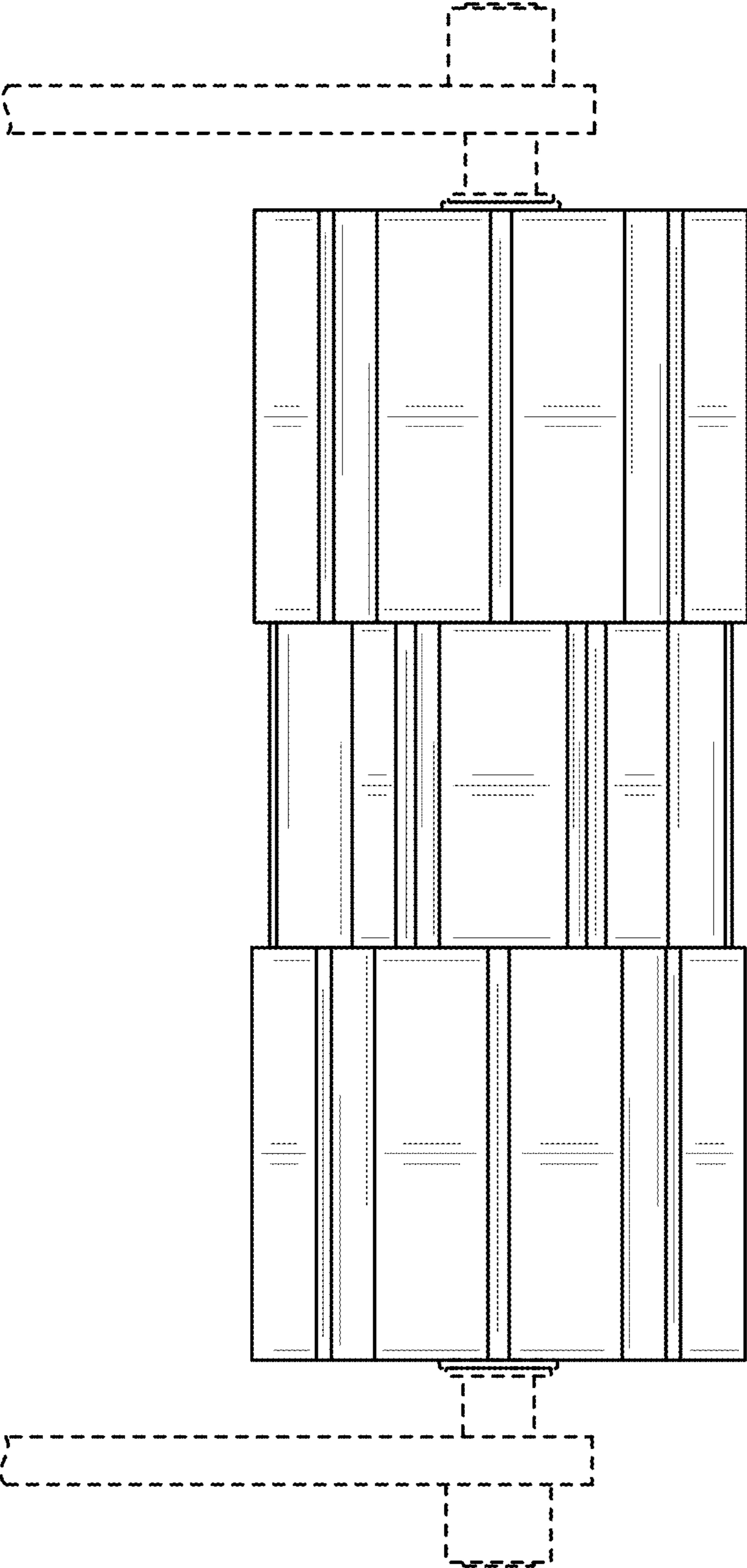


FIG. 3

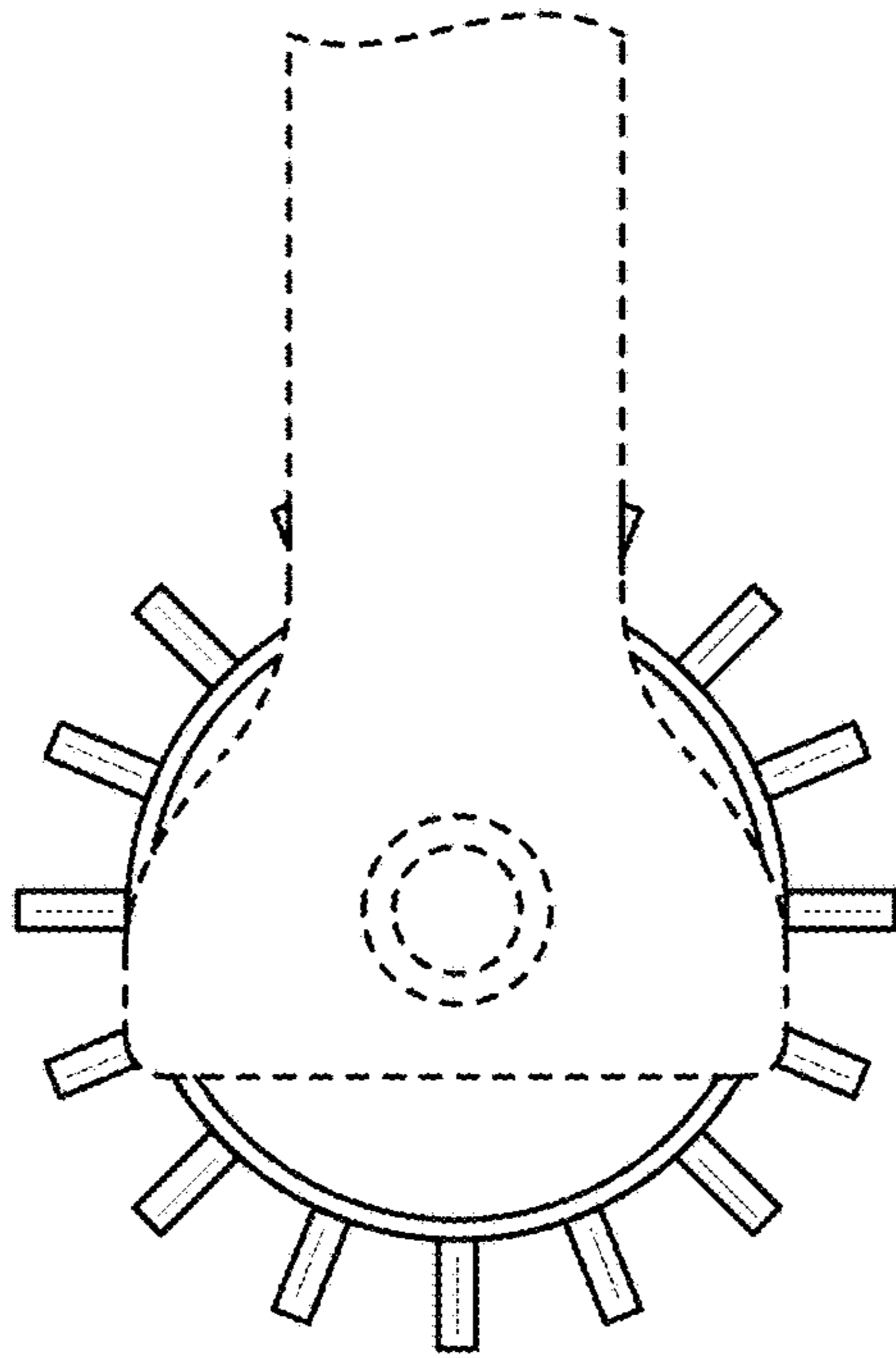


FIG. 4

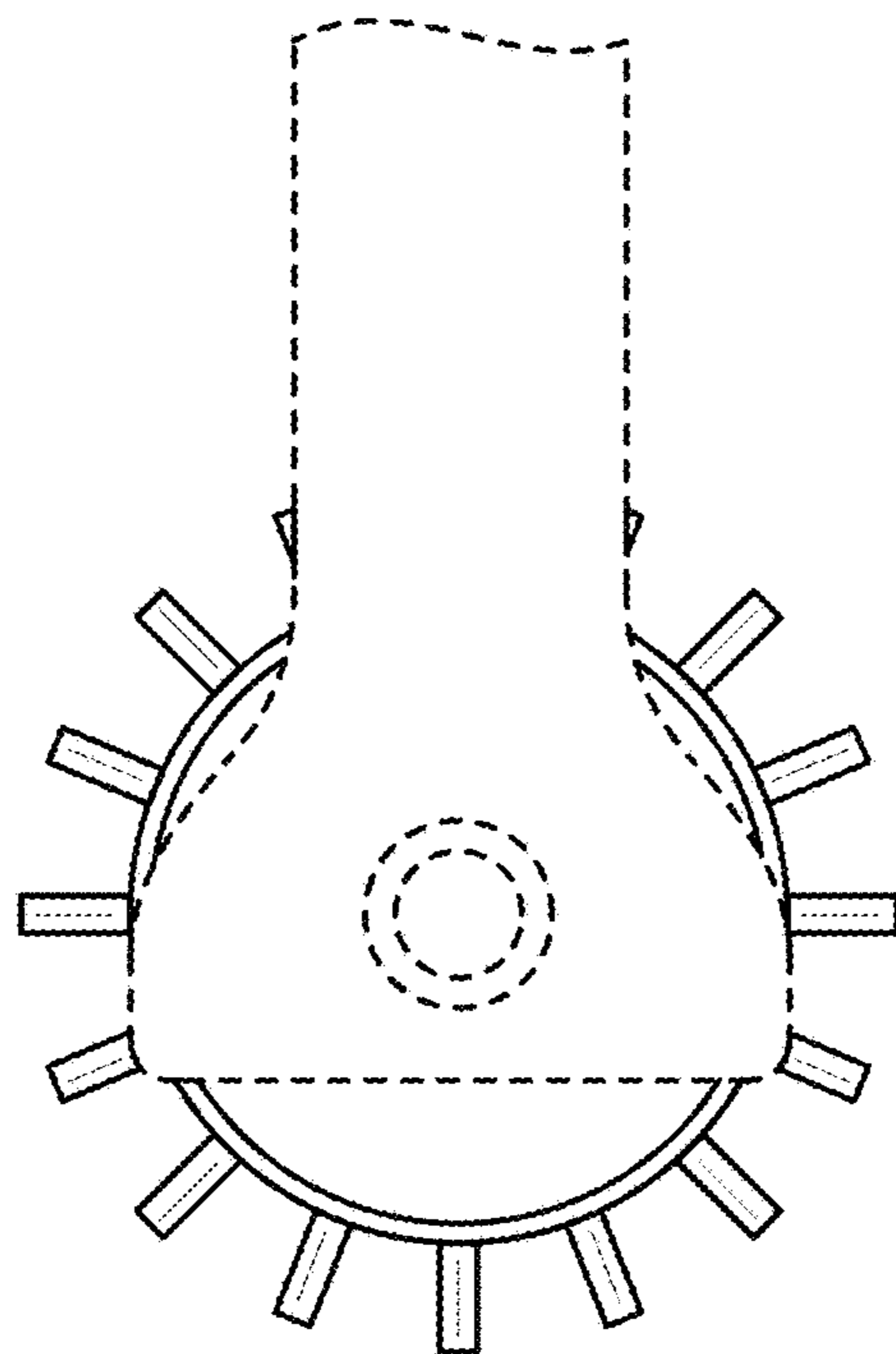


FIG. 5

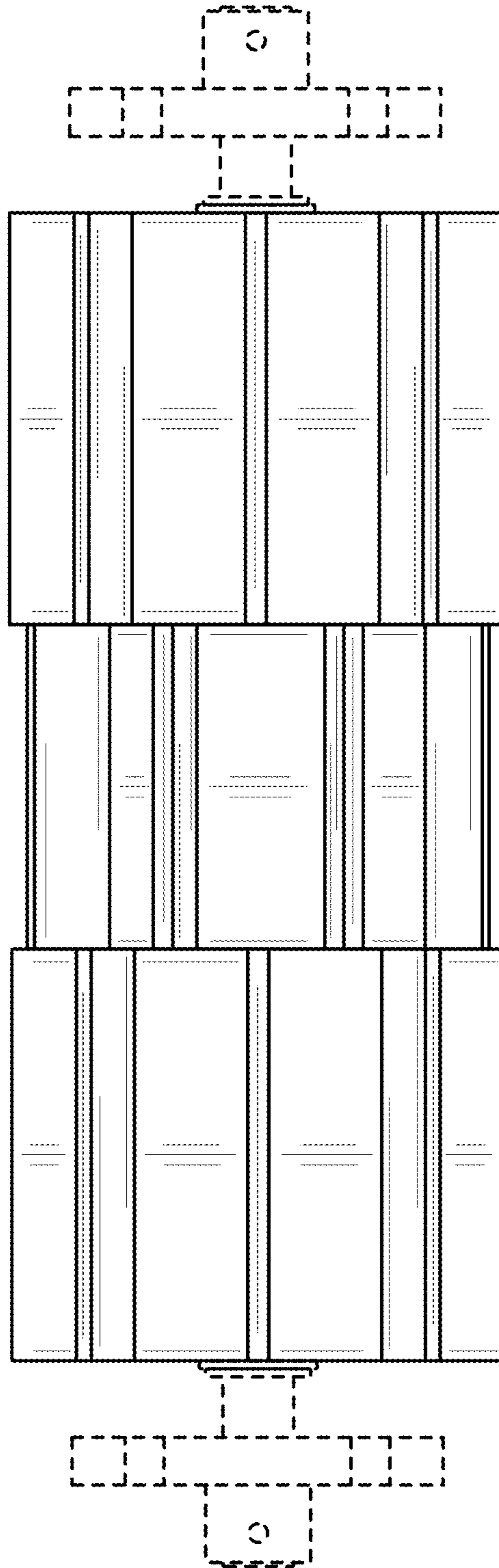


FIG. 6

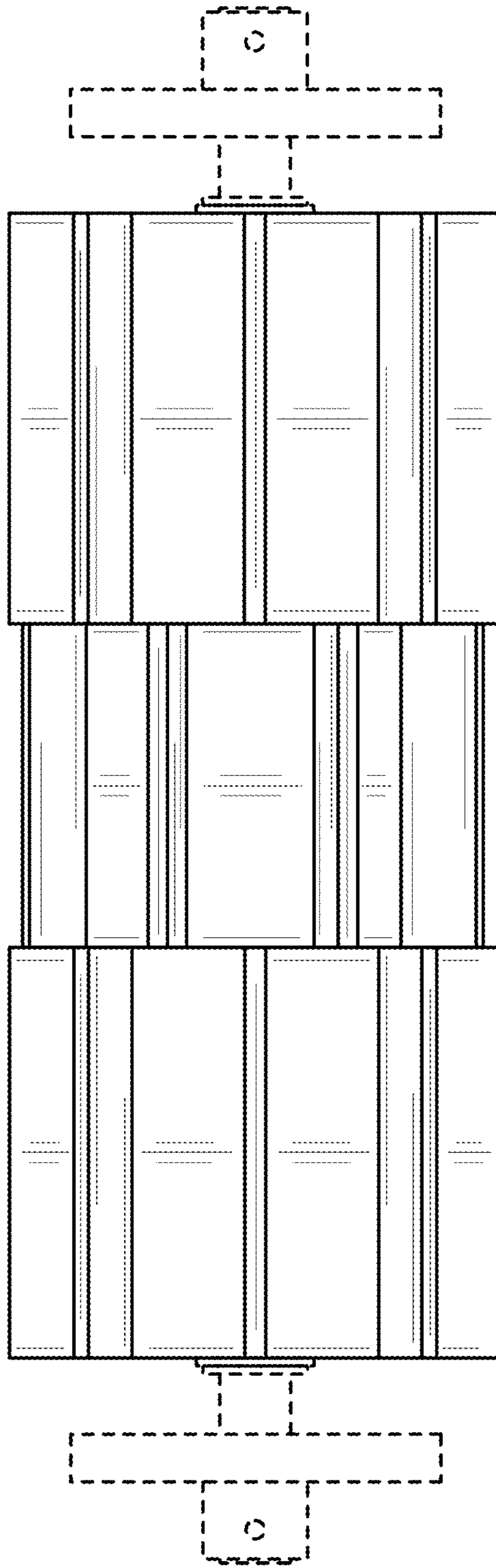


FIG. 7