



US00D861737S

(12) **United States Design Patent**
Hori et al.

(10) **Patent No.:** **US D861,737 S**
(45) **Date of Patent:** **** Oct. 1, 2019**

- (54) **ELECTRIC FARM TRACTOR**
- (71) Applicant: **Mitsubishi Electric Corporation**,
Tokyo (JP)
- (72) Inventors: **Takeyuki Hori**, Tokyo (JP); **Tomoaki Tsukada**, Tokyo (JP)
- (73) Assignee: **Mitsubishi Electric Corporation**,
Tokyo (JP)
- (**) Term: **15 Years**
- (21) Appl. No.: **29/593,594**
- (22) Filed: **Feb. 10, 2017**
- (30) **Foreign Application Priority Data**

Aug. 29, 2016 (JP) 2016-018325

(51) **LOC (12) Cl.** **12-09**

(52) **U.S. Cl.**
USPC **D15/23; D15/199**

(58) **Field of Classification Search**
USPC D15/23, 199; D21/578-583, 621, 622
CPC . B60L 8/003; B60L 2200/40; B60K 2016/00;
B60W 2300/152; B62D 49/00; Y02T
10/90; Y02T 10/646; Y02T 10/7083
See application file for complete search history.

(56) **References Cited**

U.S. PATENT DOCUMENTS

D297,239 S *	8/1988	Funabashi	D15/23
D298,433 S *	11/1988	Mikado	D15/23
D306,301 S *	2/1990	Funabashi	D15/23
5,413,454 A *	5/1995	Movsesian	B25J 5/007 294/100
5,484,321 A *	1/1996	Ishimoto	A63H 17/14 305/165
6,132,287 A *	10/2000	Kuralt	A63H 17/004 446/431

D438,359 S *	2/2001	Braud	D15/23
D489,381 S *	5/2004	Mistry	D15/23
D527,772 S *	9/2006	Bowen	D21/533
D545,721 S *	7/2007	Hacker	D12/1
D555,692 S *	11/2007	Liu	D16/202
D557,715 S *	12/2007	Merghani	D15/23
D626,577 S *	11/2010	Carlson	D15/199
D630,269 S *	1/2011	Matsuda	D21/533
D637,217 S *	5/2011	Carlson	D15/199
D639,351 S *	6/2011	Newmayer	D21/533
D720,369 S *	12/2014	Furukawa	D15/23
D759,128 S *	6/2016	Yang	D15/23
D777,798 S *	1/2017	Yetkin	D15/23
D782,552 S *	3/2017	Casadio	D15/199
D803,765 S *	11/2017	Bei	D12/533

(Continued)

Primary Examiner — Patricia A Palasik

(74) *Attorney, Agent, or Firm* — Studebaker & Brackett
PC

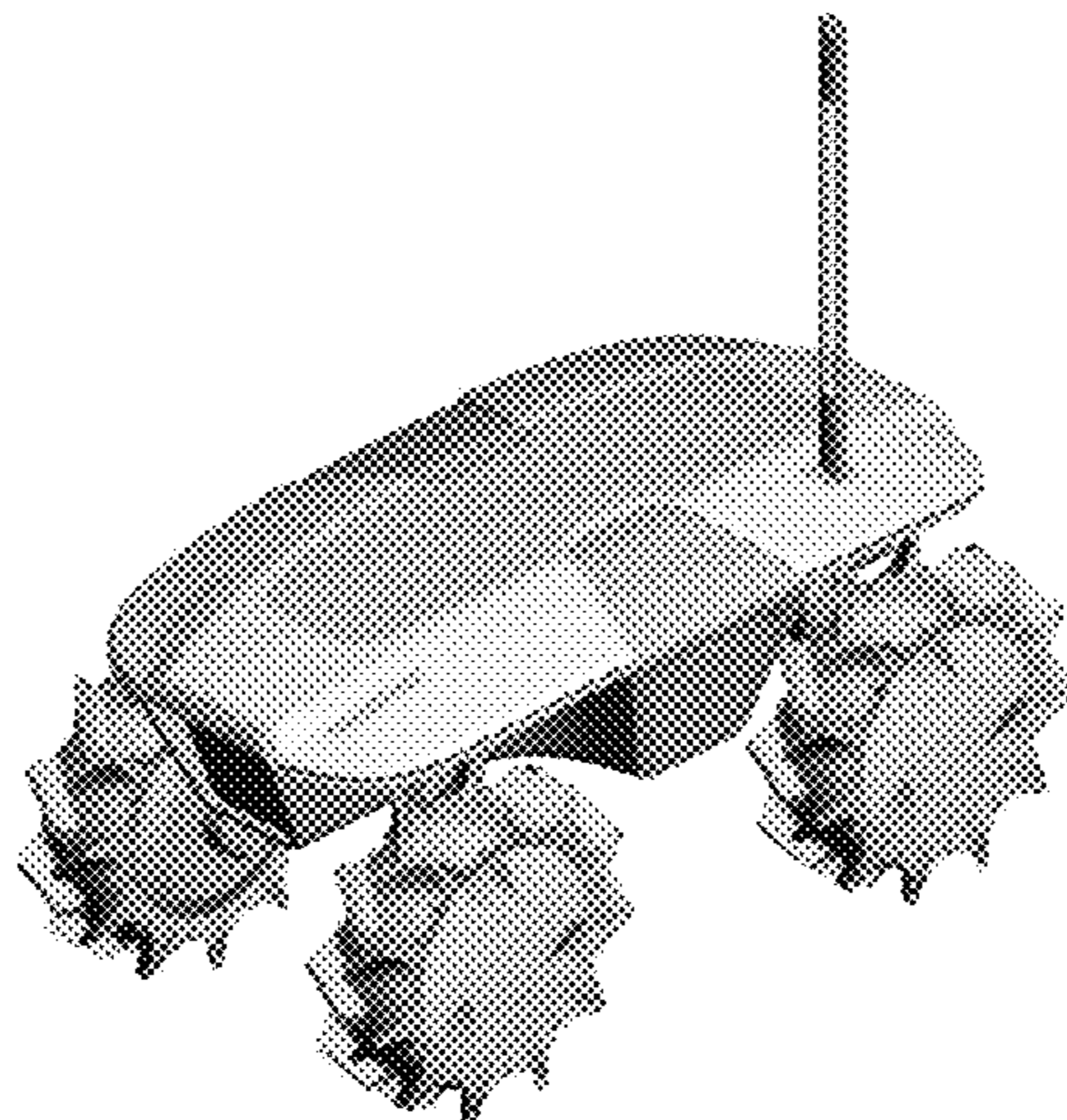
(57) **CLAIM**

The ornamental design for an electric farm tractor, as shown and described.

DESCRIPTION

FIG. 1 is a perspective view of the front, left and top sides of an electric farm tractor showing our new design;
 FIG. 2 is a front view thereof;
 FIG. 3 is a rear view thereof;
 FIG. 4 is a right side view thereof;
 FIG. 5 is a left side view thereof;
 FIG. 6 is a top view thereof;
 FIG. 7 is a bottom view thereof;
 FIG. 8 is a reference perspective view showing the light-emitting portion thereof;
 FIG. 9 is a reference view 1 showing the use state thereof; and,
 FIG. 10 is a reference view 2 showing the use state thereof.
 The broken lines in the drawings depict unclaimed environmental subject matter.

1 Claim, 10 Drawing Sheets



(56)

References Cited

U.S. PATENT DOCUMENTS

D816,119 S * 4/2018 Pu D15/1
 2001/0047895 A1* 12/2001 De Fazio B62D 57/024
 180/22
 2007/0021867 A1* 1/2007 Woo B25J 5/00
 700/245
 2008/0077276 A1* 3/2008 Montero Sanjuan B21J 15/14
 700/245
 2008/0105481 A1* 5/2008 Hutcheson B25J 5/007
 180/209
 2010/0263948 A1* 10/2010 Couture B25J 5/005
 180/8.2
 2011/0050374 A1* 3/2011 Dvorak A63H 17/42
 335/219
 2011/0071677 A1* 3/2011 Stilman B25J 5/007
 700/254
 2011/0132671 A1* 6/2011 Lee B25J 5/007
 180/8.3

2012/0088436 A1* 4/2012 Grossman A63H 17/395
 446/454
 2012/0181095 A1* 7/2012 Lopez B60L 8/003
 180/2.2
 2012/0199407 A1* 8/2012 Morey B62D 55/06
 180/167
 2012/0259460 A1* 10/2012 Rizzi B62D 57/028
 700/245
 2013/0024067 A1* 1/2013 Troy B25J 5/007
 701/36
 2015/0375812 A1* 12/2015 Bernini E04H 4/1654
 180/9.1
 2016/0001829 A1* 1/2016 Albin B62D 55/265
 305/116
 2016/0052137 A1* 2/2016 Hyde B25J 11/009
 701/24
 2016/0229058 A1* 8/2016 Pinter G06Q 50/22
 2017/0329326 A1* 11/2017 Field G05D 1/0044

* cited by examiner

Fig.1

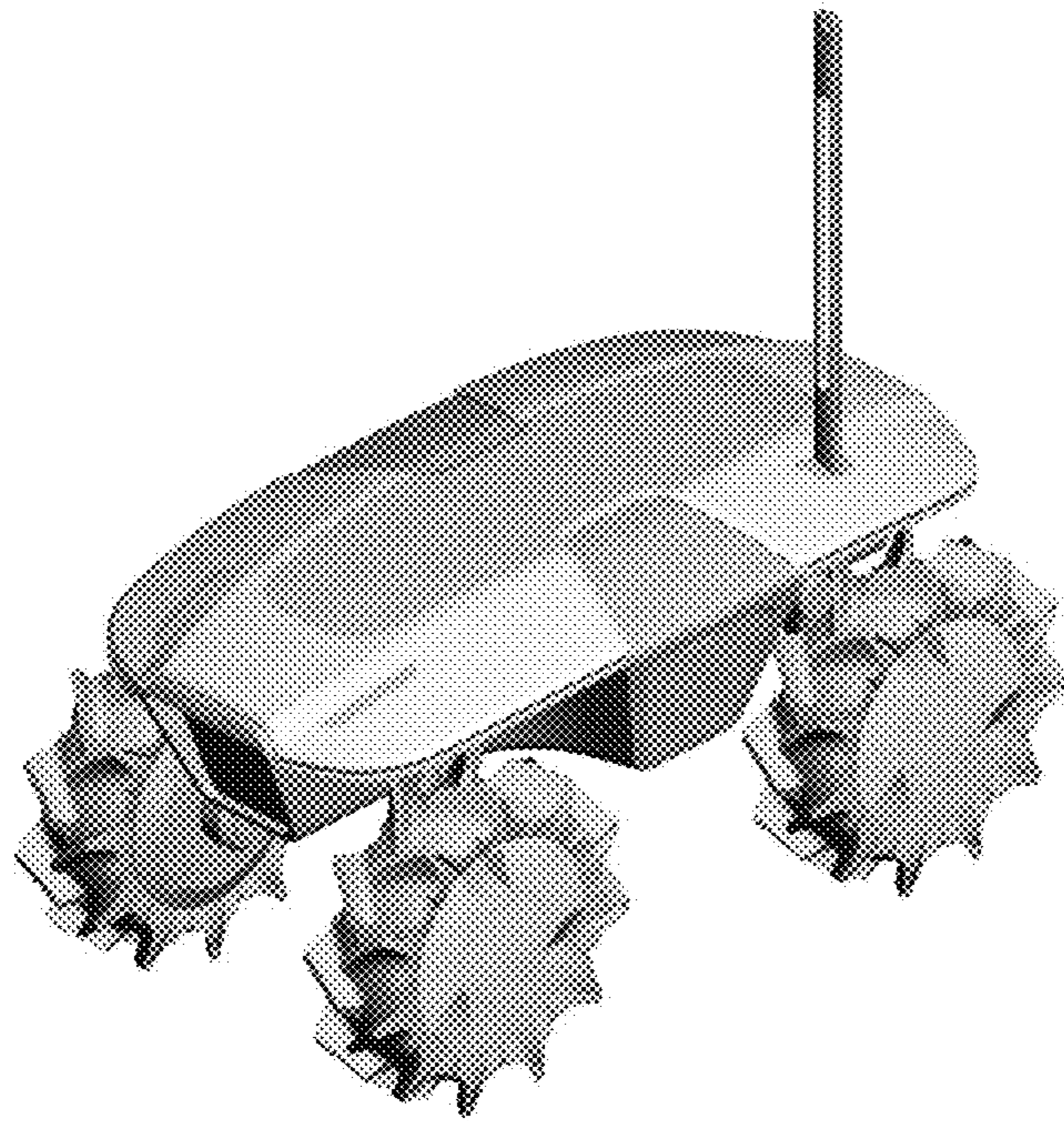


Fig.2

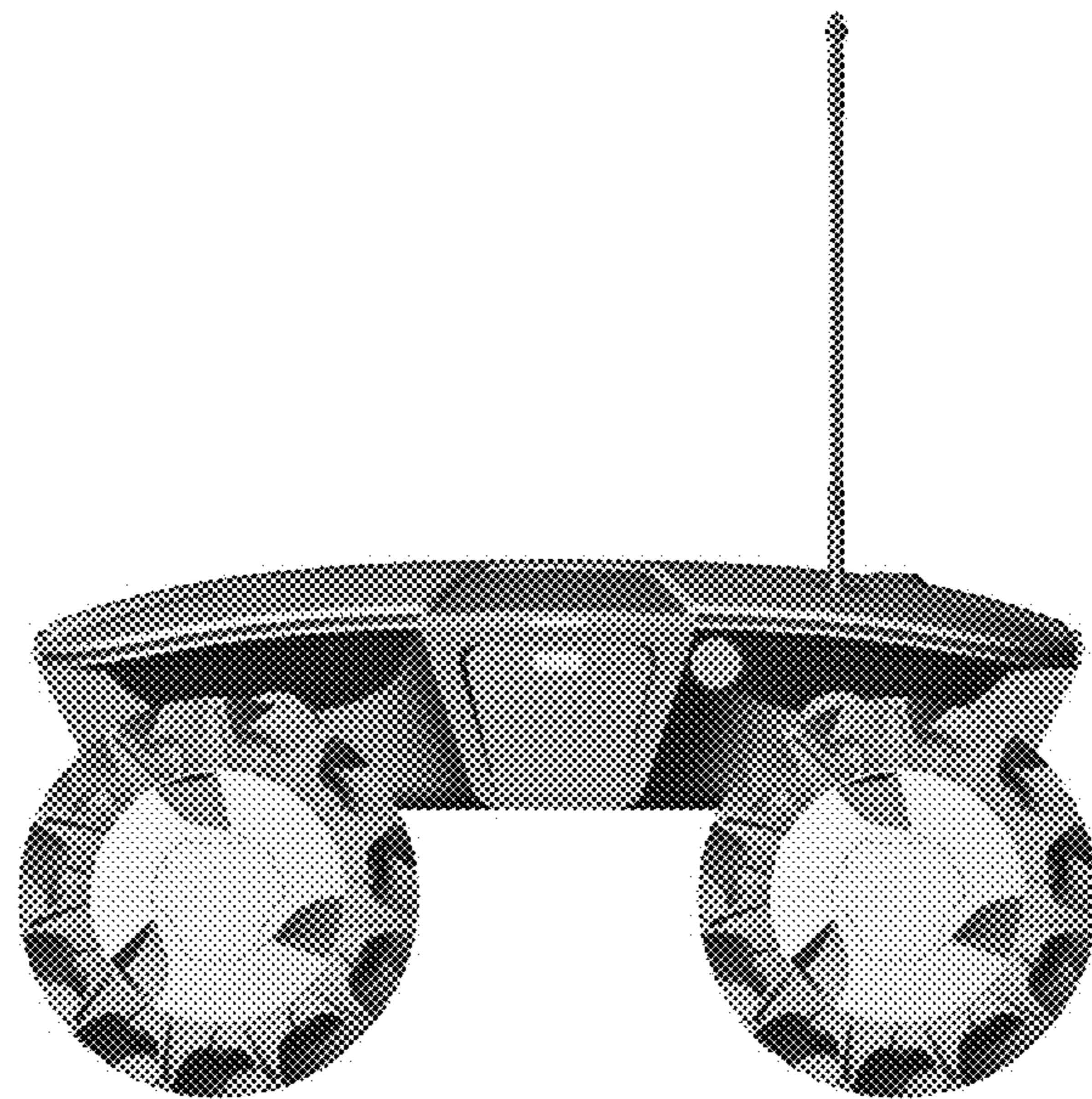


Fig.3

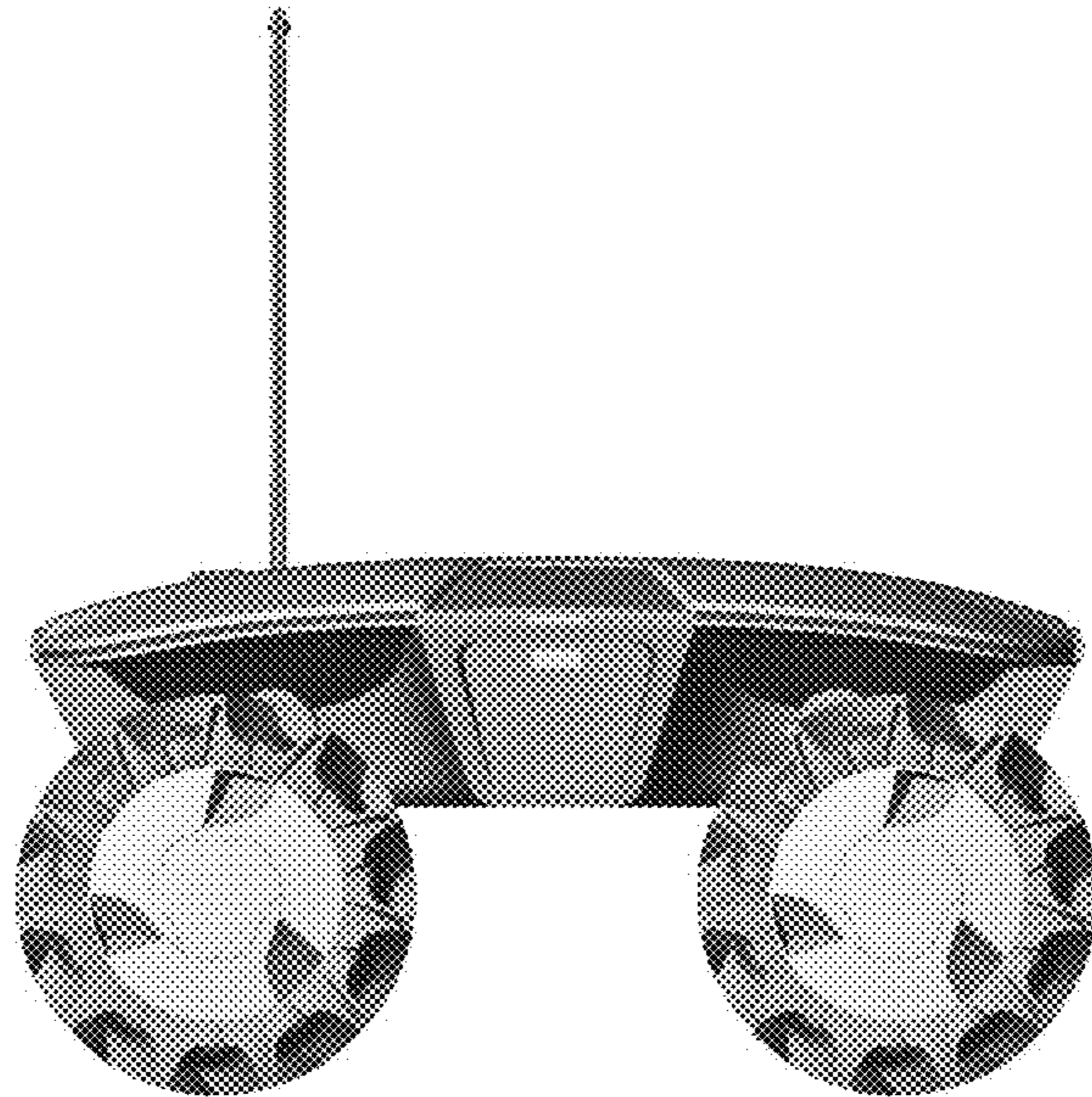


Fig.4

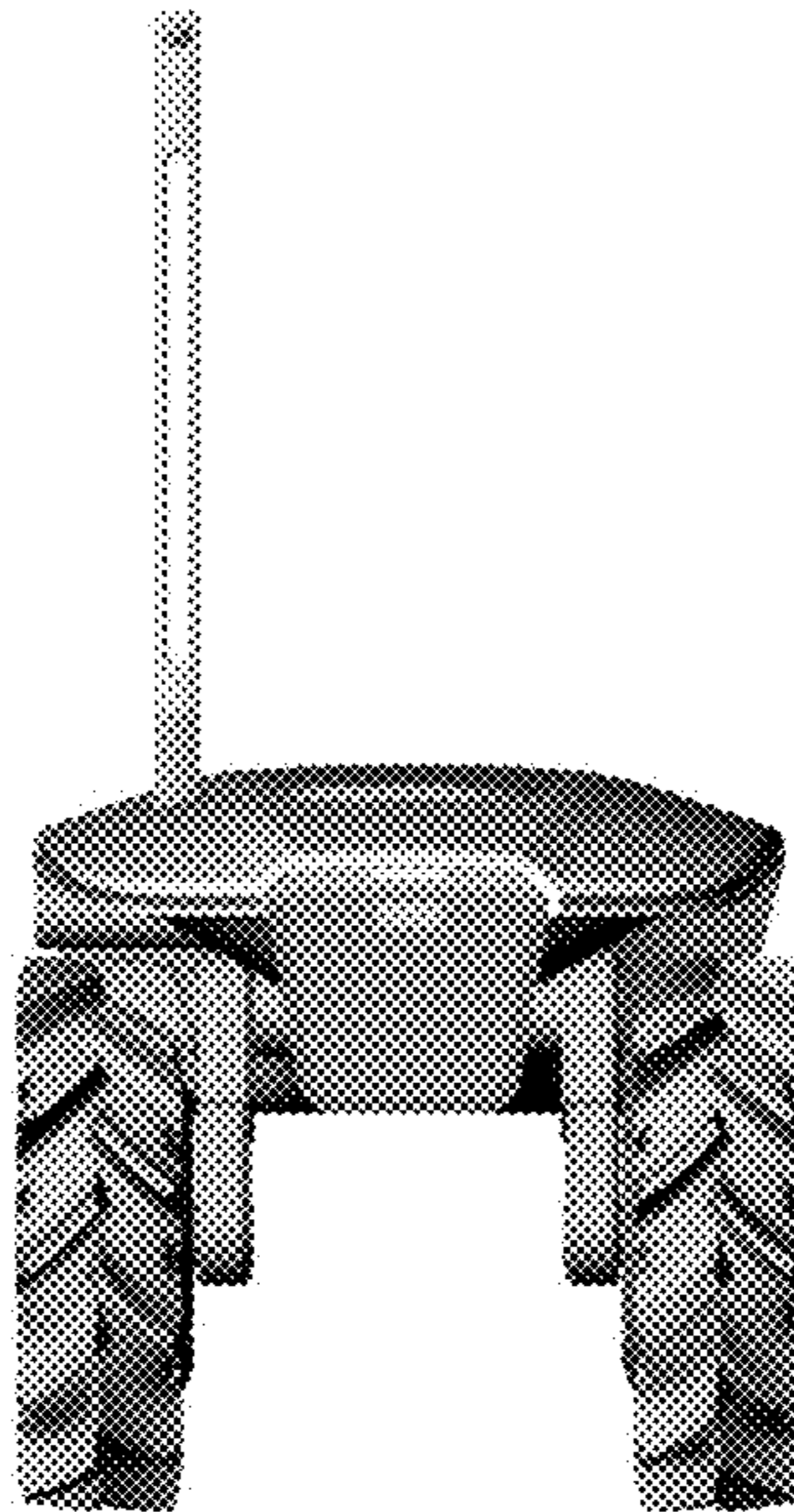


Fig.5

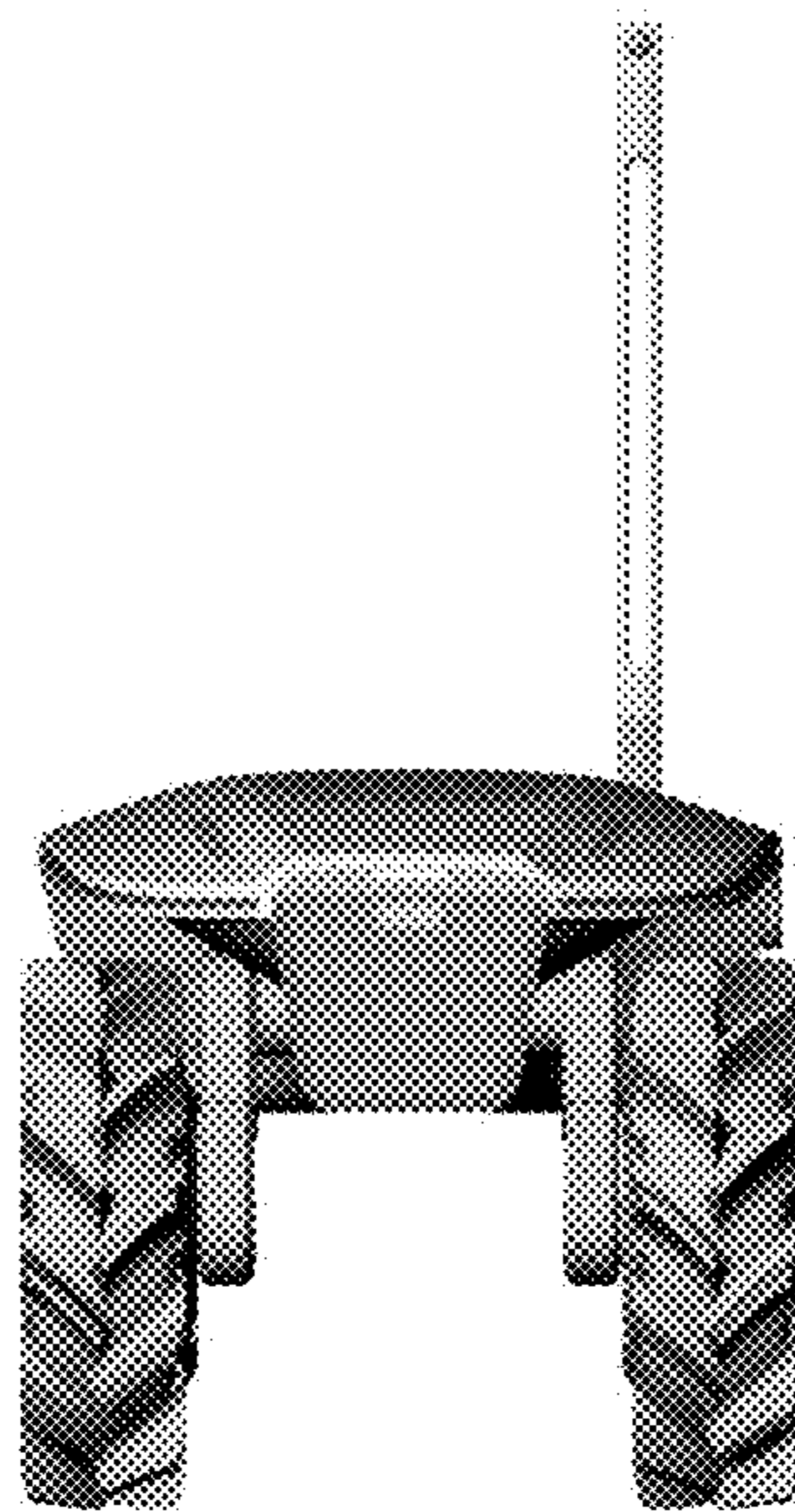


Fig.6

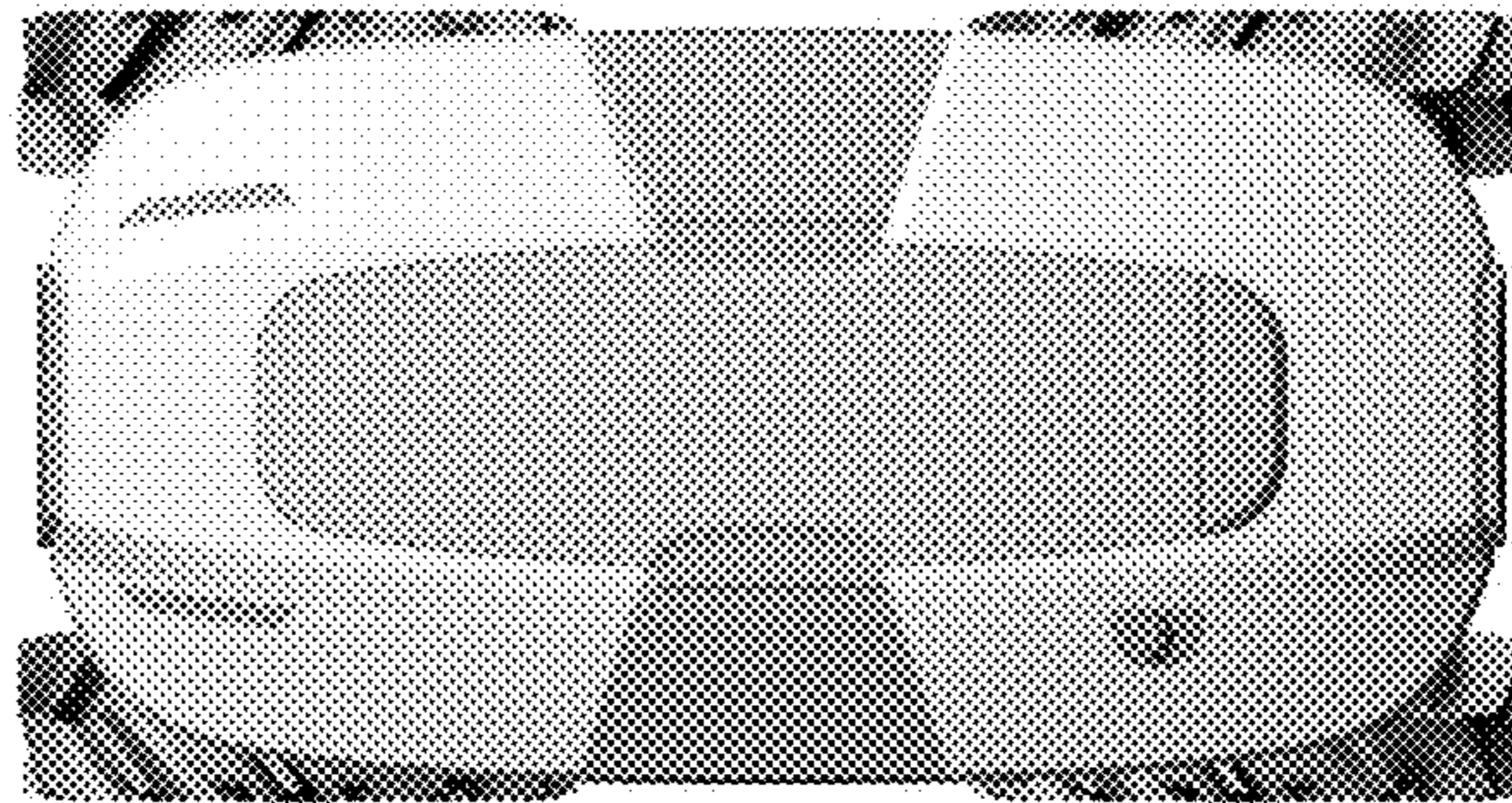


Fig.7

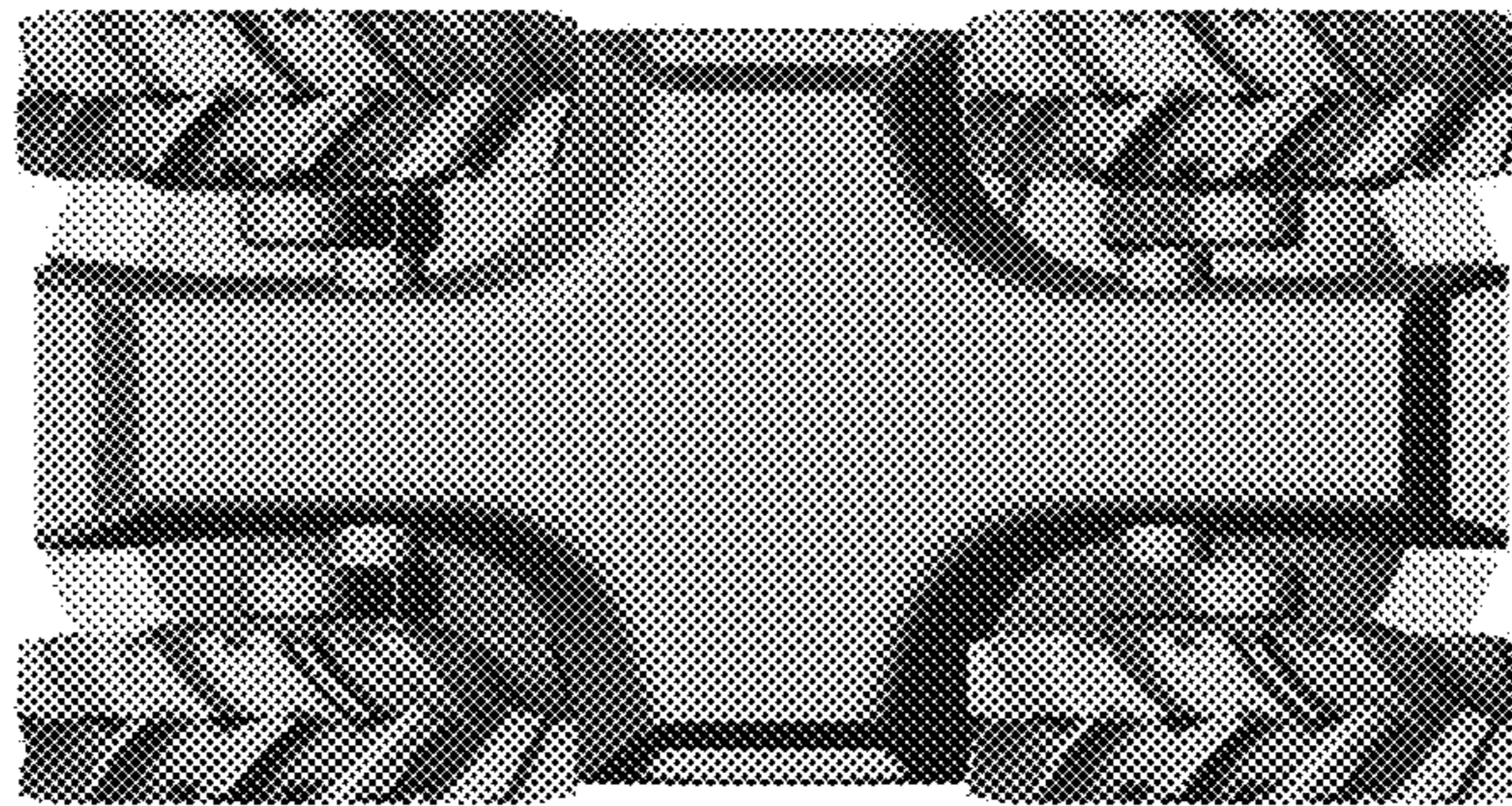


Fig.8

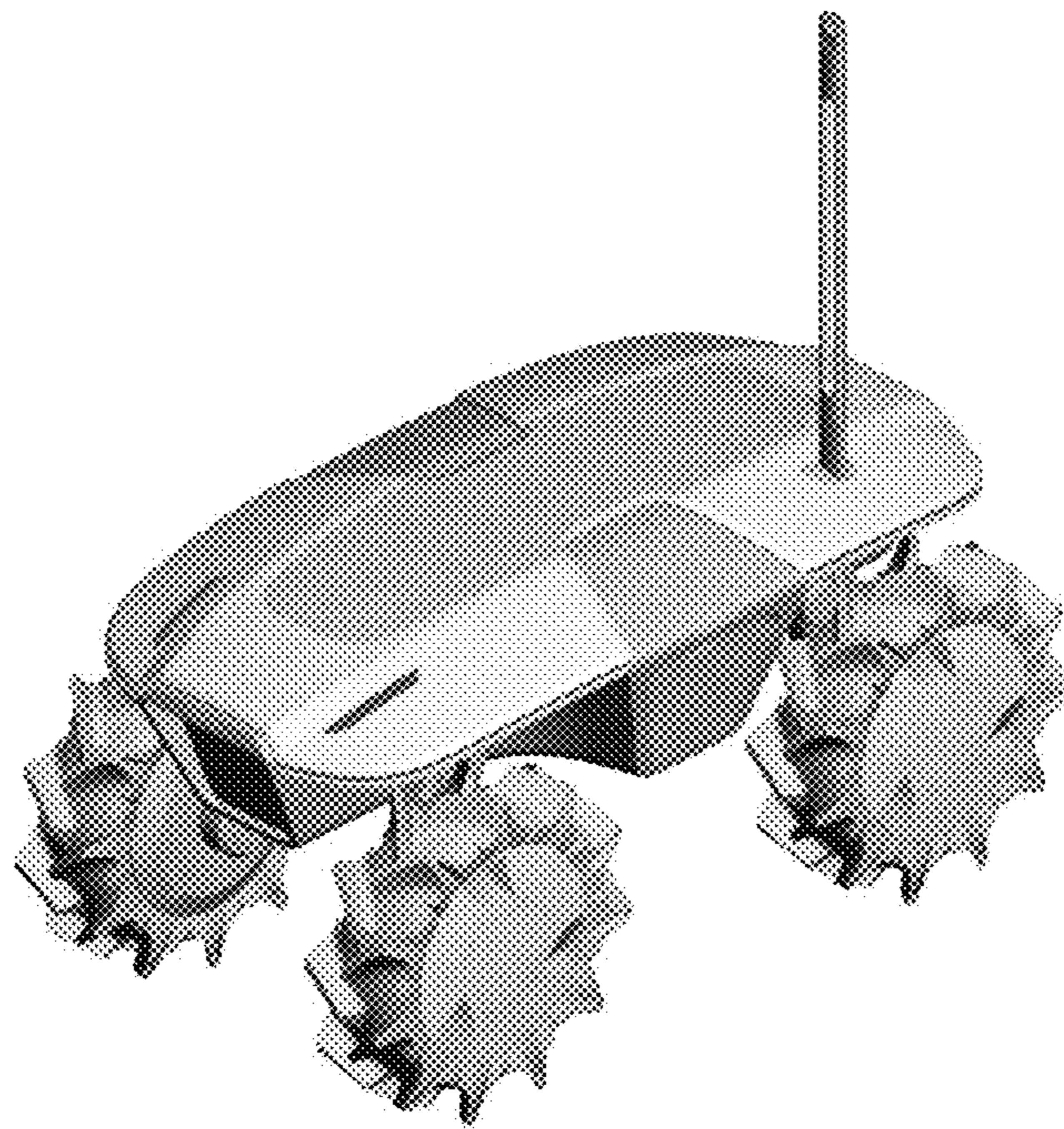


Fig.9

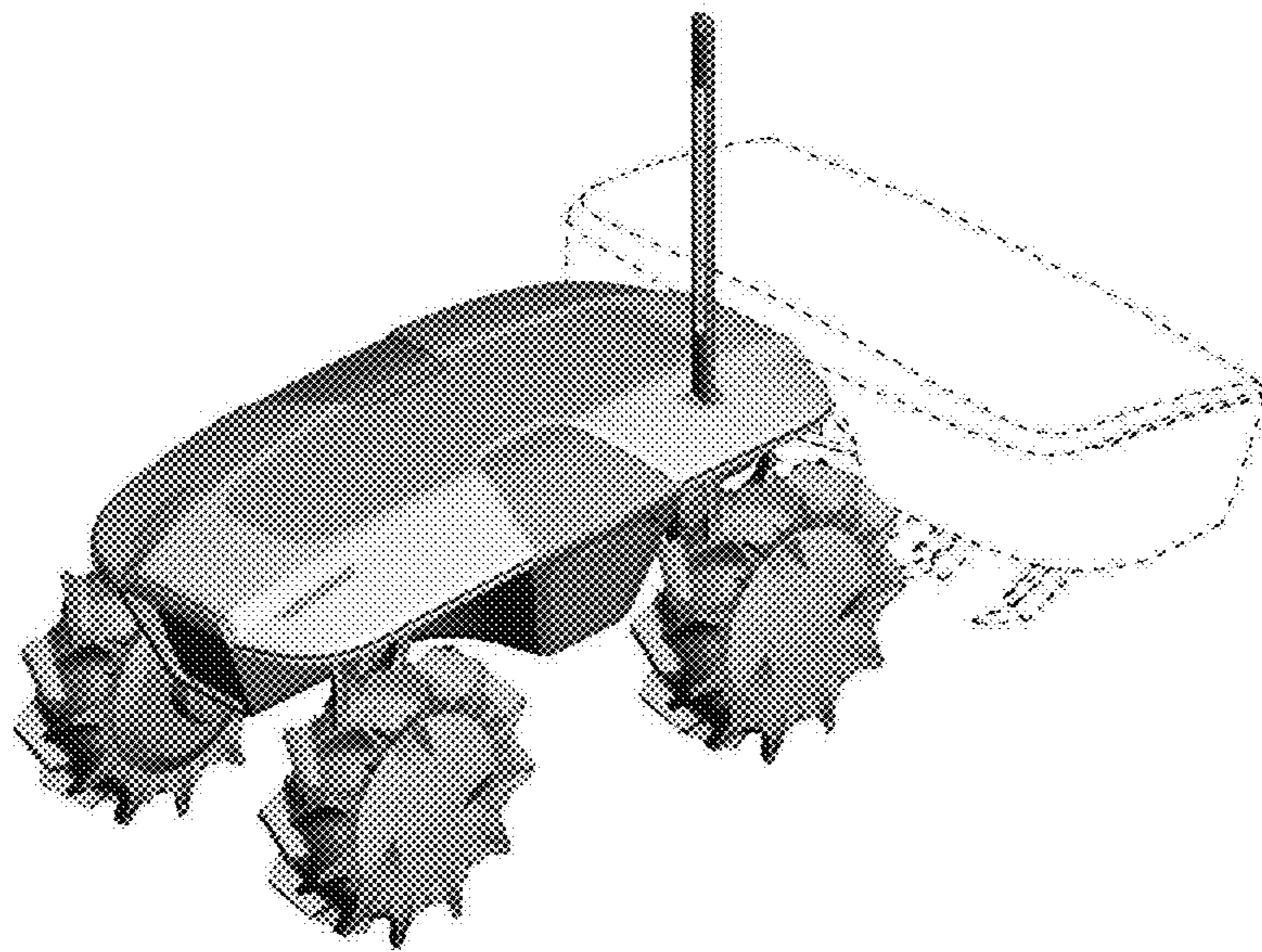


Fig.10

