

US00D861736S

(12) **United States Design Patent** (10) **Patent No.:** **US D861,736 S**  
**Shi** (45) **Date of Patent:** **\*\* Oct. 1, 2019**

(54) **DRILLING RISER BUOYANCY MODULE**  
(71) Applicant: **CBM International, Inc.**, Houston, TX (US)  
(72) Inventor: **Shan Shi**, Houston, TX (US)  
(73) Assignee: **CBM International, Inc.**, Houston, TX (US)

(\*\*) Term: **15 Years**  
(21) Appl. No.: **29/682,382**  
(22) Filed: **Mar. 5, 2019**

**Related U.S. Application Data**

(62) Division of application No. 29/549,624, filed on Dec. 28, 2015, now Pat. No. Des. 847,211.  
(51) **LOC (12) Cl.** ..... **15-03**  
(52) **U.S. Cl.**  
USPC ..... **D15/21**  
(58) **Field of Classification Search**  
USPC ..... D15/21; 441/133; 405/216; 166/345, 166/350, 367  
CPC ..... E21B 17/01; E21B 17/012; B63B 22/00  
See application file for complete search history.

(56) **References Cited**

**U.S. PATENT DOCUMENTS**

6,712,559 B2 \* 3/2004 Lenormand ..... E21B 17/012 166/350  
6,948,884 B2 \* 9/2005 Xu ..... E21B 17/01 405/211  
7,628,665 B1 \* 12/2009 Cook ..... E21B 17/012 405/195.1  
8,443,896 B2 \* 5/2013 Howard ..... E21B 17/012 166/345

9,039,328 B2 \* 5/2015 Melymuk ..... F16L 1/24 405/171  
10,006,254 B2 \* 6/2018 Shi ..... E21B 17/012  
2002/0168232 A1 \* 11/2002 Xu ..... E21B 17/01 405/224  
2005/0241832 A1 \* 11/2005 Jones ..... E21B 17/012 166/367  
2008/0213048 A1 \* 9/2008 Jones ..... E21B 17/012 405/224.2  
2010/0307762 A1 \* 12/2010 Howard ..... E21B 17/012 166/350

\* cited by examiner

*Primary Examiner* — Mark A Goodwin

(74) *Attorney, Agent, or Firm* — Pierson IP, PLLC

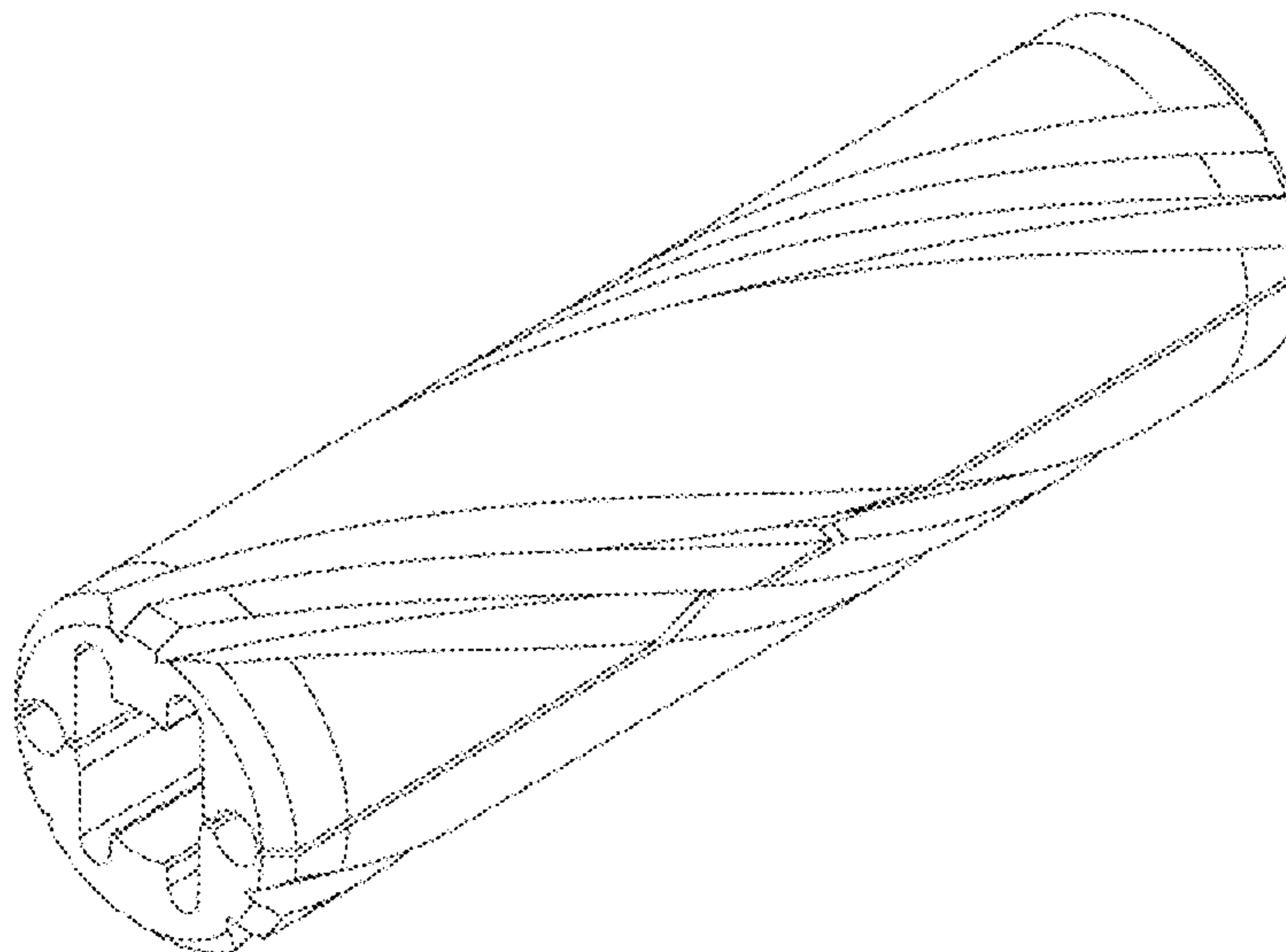
(57) **CLAIM**

The ornamental design for a drilling riser buoyancy module, as shown and described.

**DESCRIPTION**

FIG. 1 is a perspective view of a drilling riser buoyancy module showing our new design thereof;  
FIG. 2 is a top view of the drilling riser buoyancy module shown in FIG. 1;  
FIG. 3 is a front view of the drilling riser buoyancy module shown in FIG. 1;  
FIG. 4 is a back side view of the drilling riser buoyancy module shown in FIG. 1;  
FIG. 5 is a bottom view of the drilling riser buoyancy module shown in FIG. 1;  
FIG. 6 is a side view of the drilling riser buoyancy module shown in FIG. 1; and,  
FIG. 7 is a cross view of the drilling riser buoyancy module shown in FIG. 1.

**1 Claim, 7 Drawing Sheets**



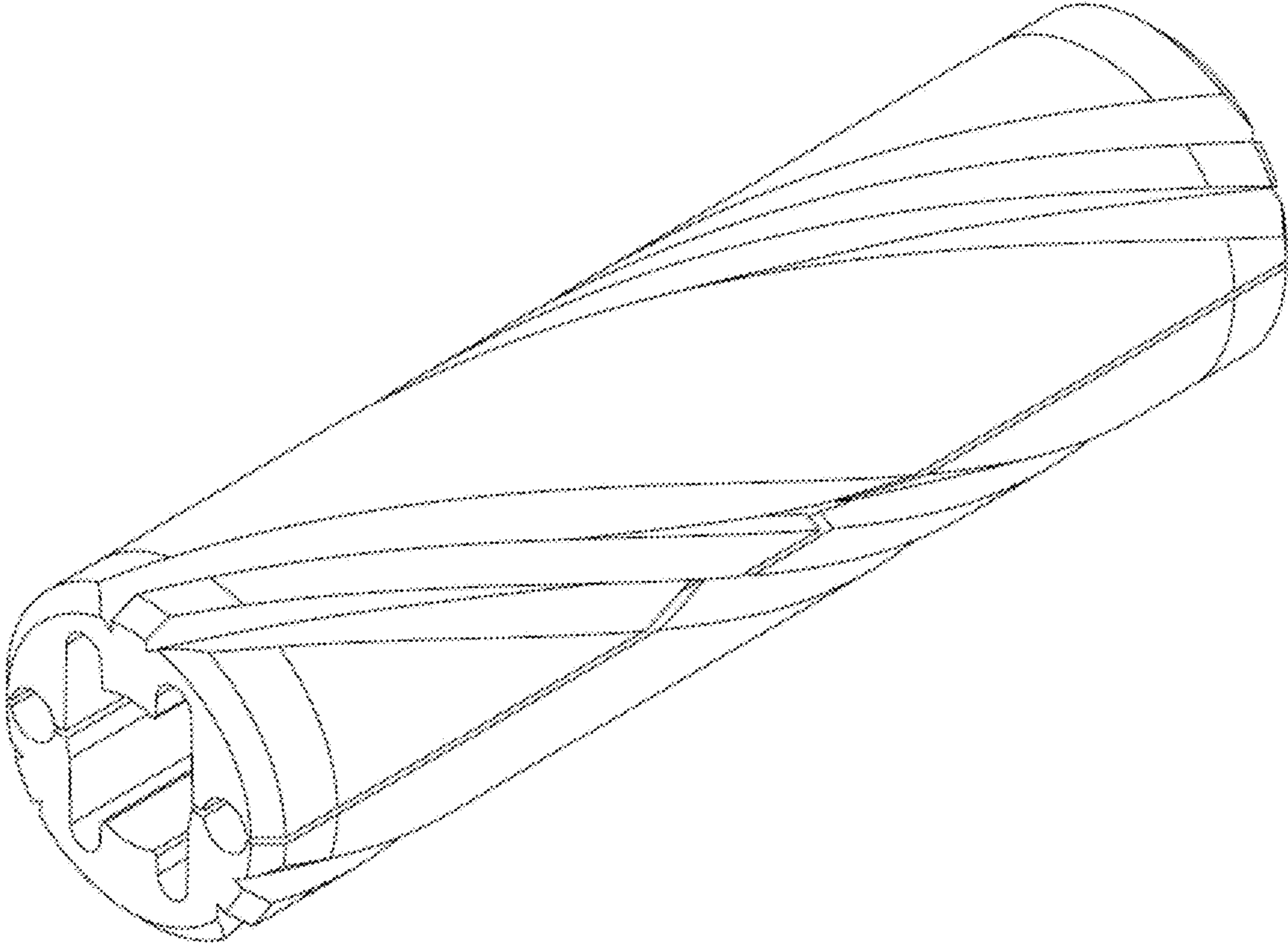


FIGURE 1

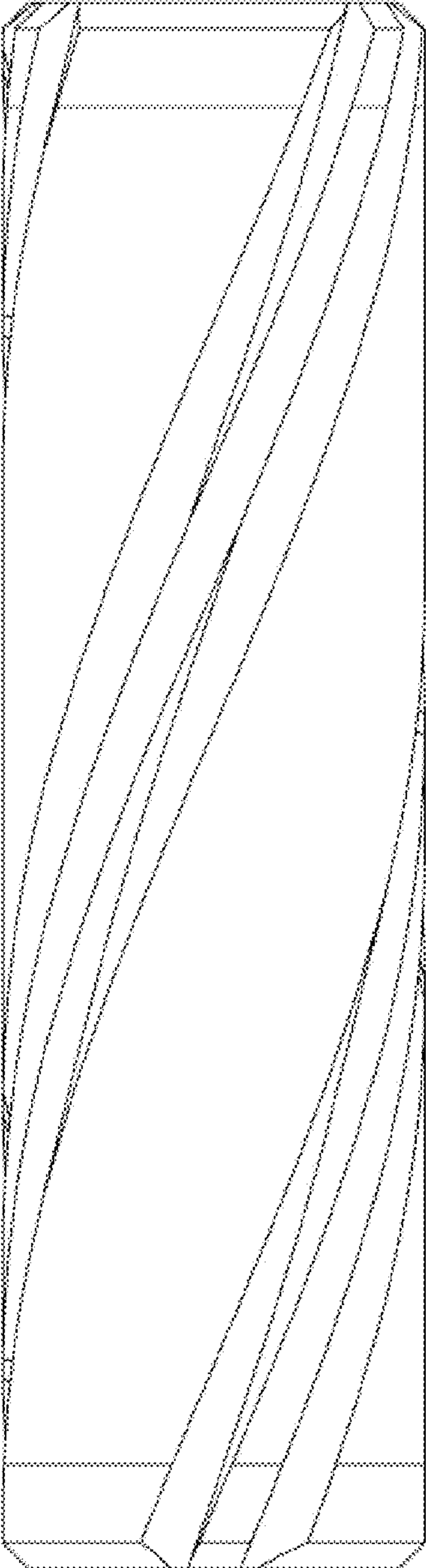


FIGURE 2

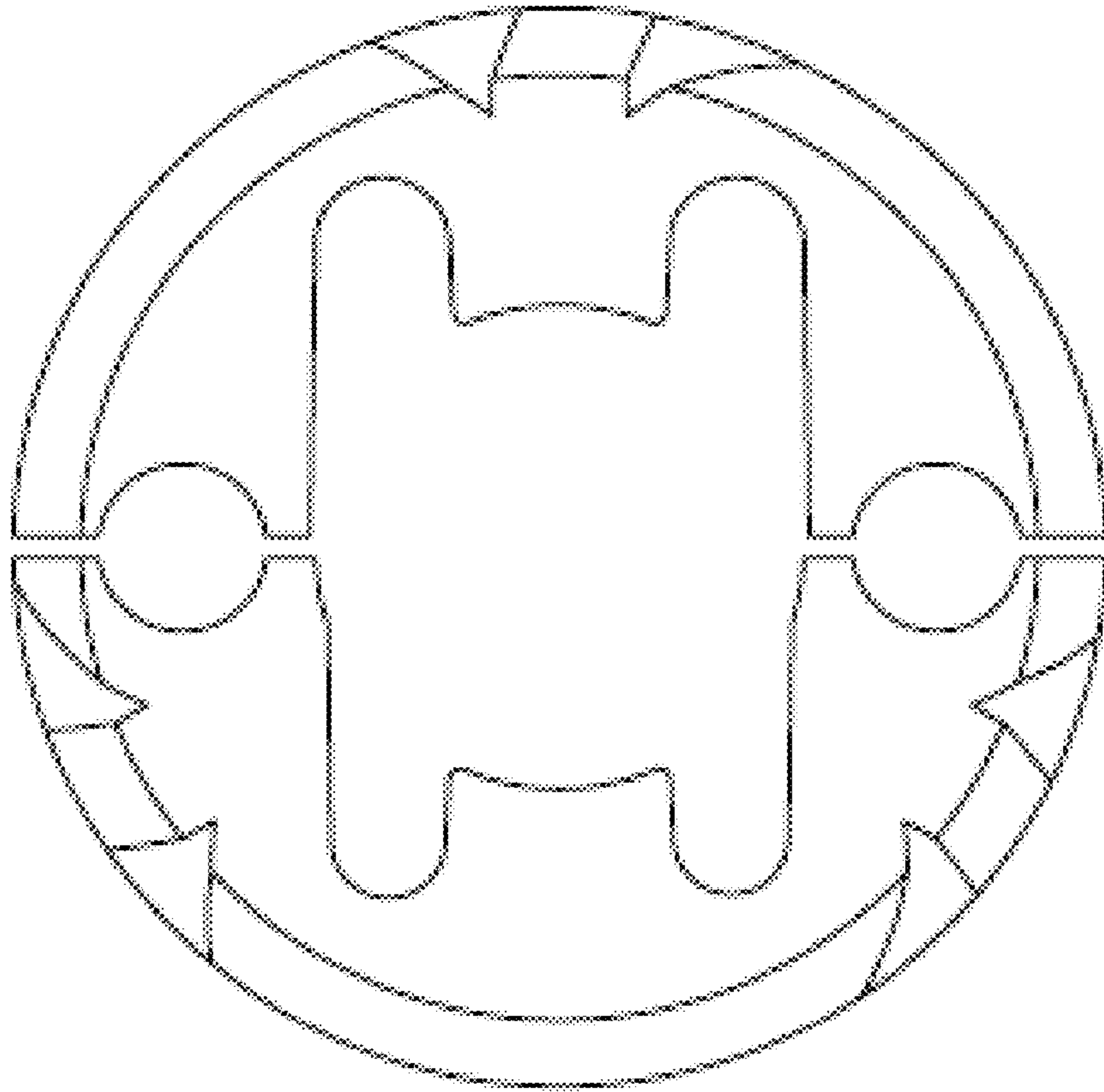


FIGURE 3



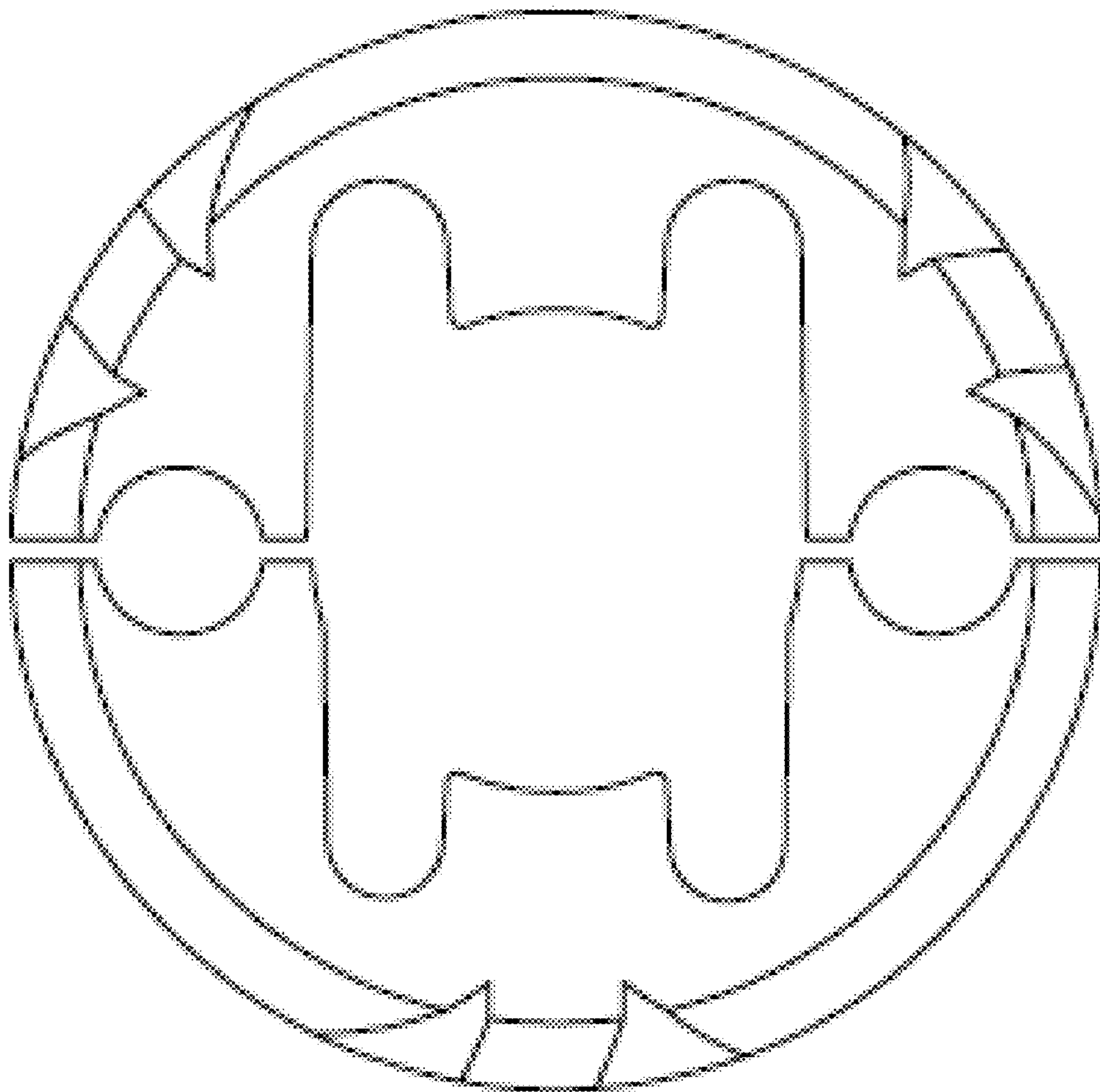


FIGURE 4

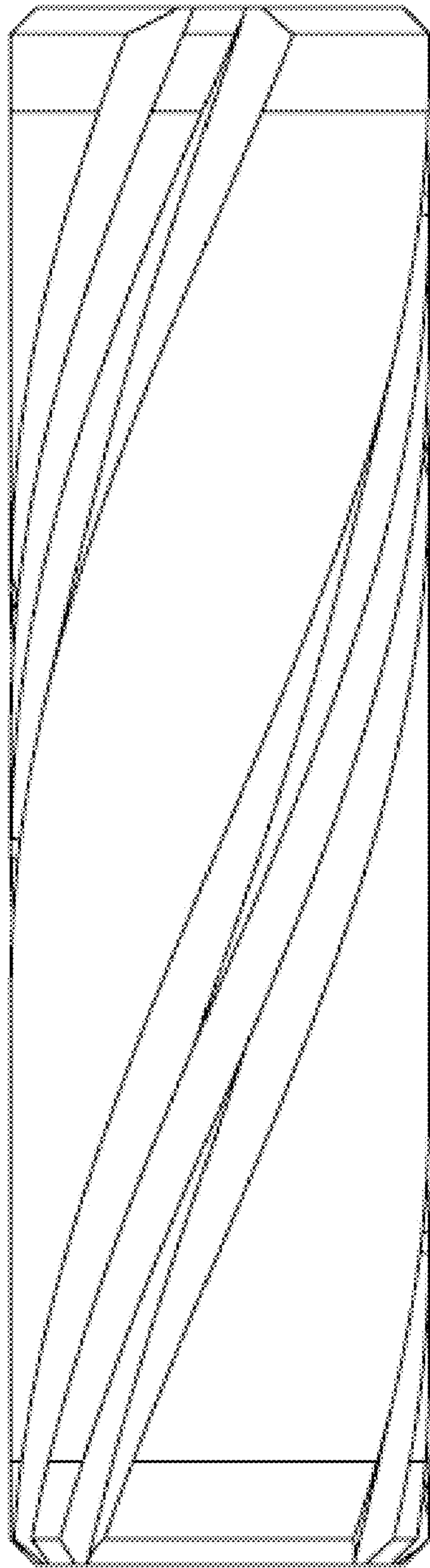


FIGURE 5

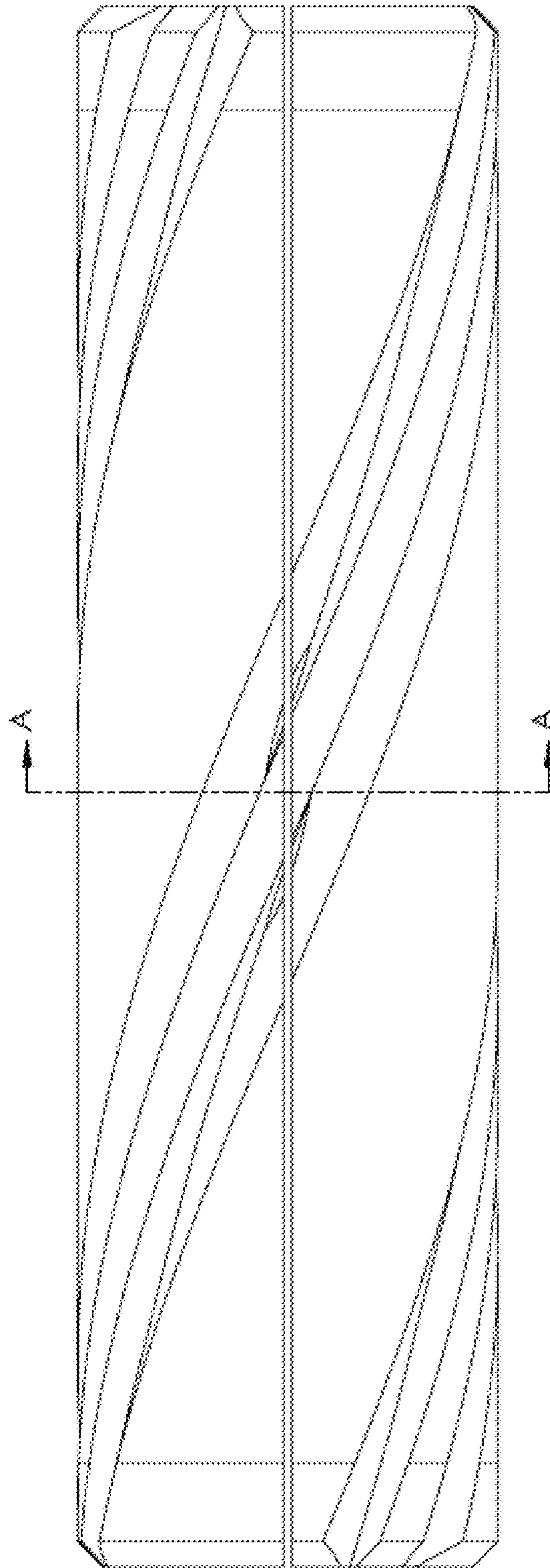


FIGURE 6

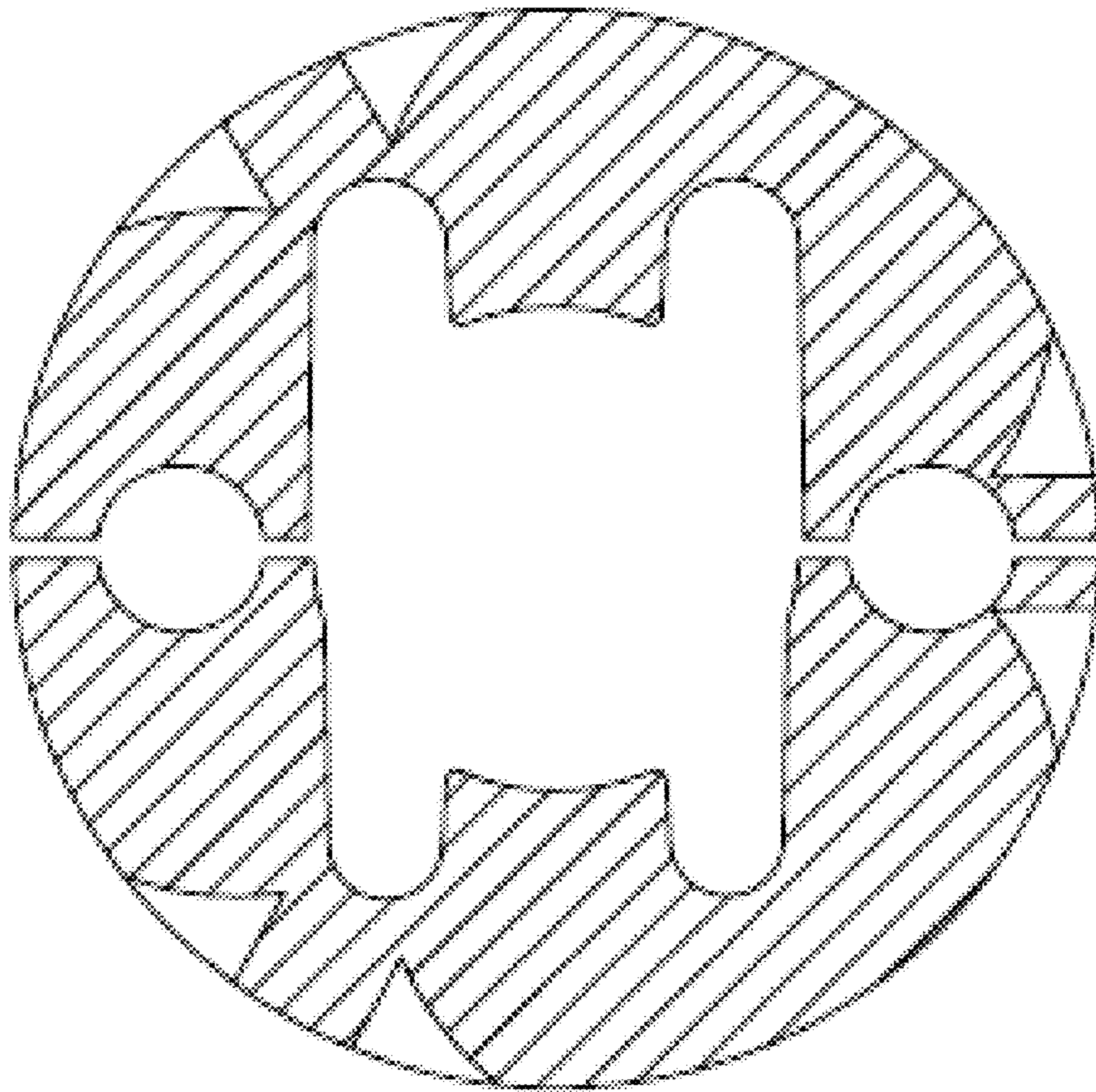


FIGURE 7