



US00D861735S

(12) **United States Design Patent** (10) **Patent No.:** **US D861,735 S**  
**Mish et al.** (45) **Date of Patent:** **\*\* Oct. 1, 2019**

(54) **SEALING ELEMENT FOR RECIPROCATING GAS COMPRESSOR VALVE**

(71) Applicant: **Delaware Capital Formation, Inc.**,  
Wilmington, DE (US)

(72) Inventors: **Stephen A. Mish**, Wellington, FL (US);  
**Swapnil S. Khaire**, Knoxville, TN (US);  
**Fred Matthew Schweinberg, Jr.**,  
Knoxville, TN (US)

(73) Assignee: **Delaware Capital Formation, Inc.**,  
Wilmington, DE (US)

(\*\*) Term: **15 Years**

(21) Appl. No.: **29/637,184**

(22) Filed: **Feb. 14, 2018**

**Related U.S. Application Data**

(63) Continuation of application No. 29/543,532, filed on  
Oct. 26, 2015, now Pat. No. Des. 816,122.

(51) **LOC (12) Cl.** ..... **15-02**

(52) **U.S. Cl.**  
USPC ..... **D15/9**

(58) **Field of Classification Search**  
USPC ..... D23/233-250; 123/90.15, 188.5, 190.14,  
123/196, 445, 200, 90.17, 193.4;  
417/273, 411, 564; D15/5, 9, 9.1, 9.2,  
D15/9.3; 29/888.012, 890.124, 890.126;  
92/187, 208; 137/512.1, 516.11, 327,  
137/329.04, 516.23  
CPC ..... F04B 39/1033; F04B 39/1053  
See application file for complete search history.

(56) **References Cited**

U.S. PATENT DOCUMENTS

3,148,697 A *	9/1964	Carr .....	F04B 39/1006 137/327
3,536,094 A *	10/1970	Manley, Jr. ....	F04B 39/1033 137/512.1
4,130,131 A *	12/1978	Kucenty .....	F04B 39/106 137/512.1
4,483,363 A *	11/1984	Madoche .....	F04B 39/1033 137/329.04
5,678,603 A *	10/1997	Tschop .....	F04B 39/1033 137/512.1
D745,637 S *	12/2015	Penkkimaki .....	D23/233
9,309,878 B2 *	4/2016	Columpsi .....	F16K 15/026
2001/0029981 A1 *	10/2001	Penza .....	F04B 39/1033 137/516.23
2002/0144733 A1 *	10/2002	Artner .....	F04B 39/1053 137/512.1

\* cited by examiner

*Primary Examiner* — Cynthia Ramirez

*Assistant Examiner* — Gino Colan

(74) *Attorney, Agent, or Firm* — Nielsen IP Law LLC

(57) **CLAIM**

We claim the ornamental design for a sealing element for a reciprocating gas compressor valve, as shown and described.

**DESCRIPTION**

FIG. 1 is a top perspective view of a sealing element for reciprocating gas compressor valve showing our new design;

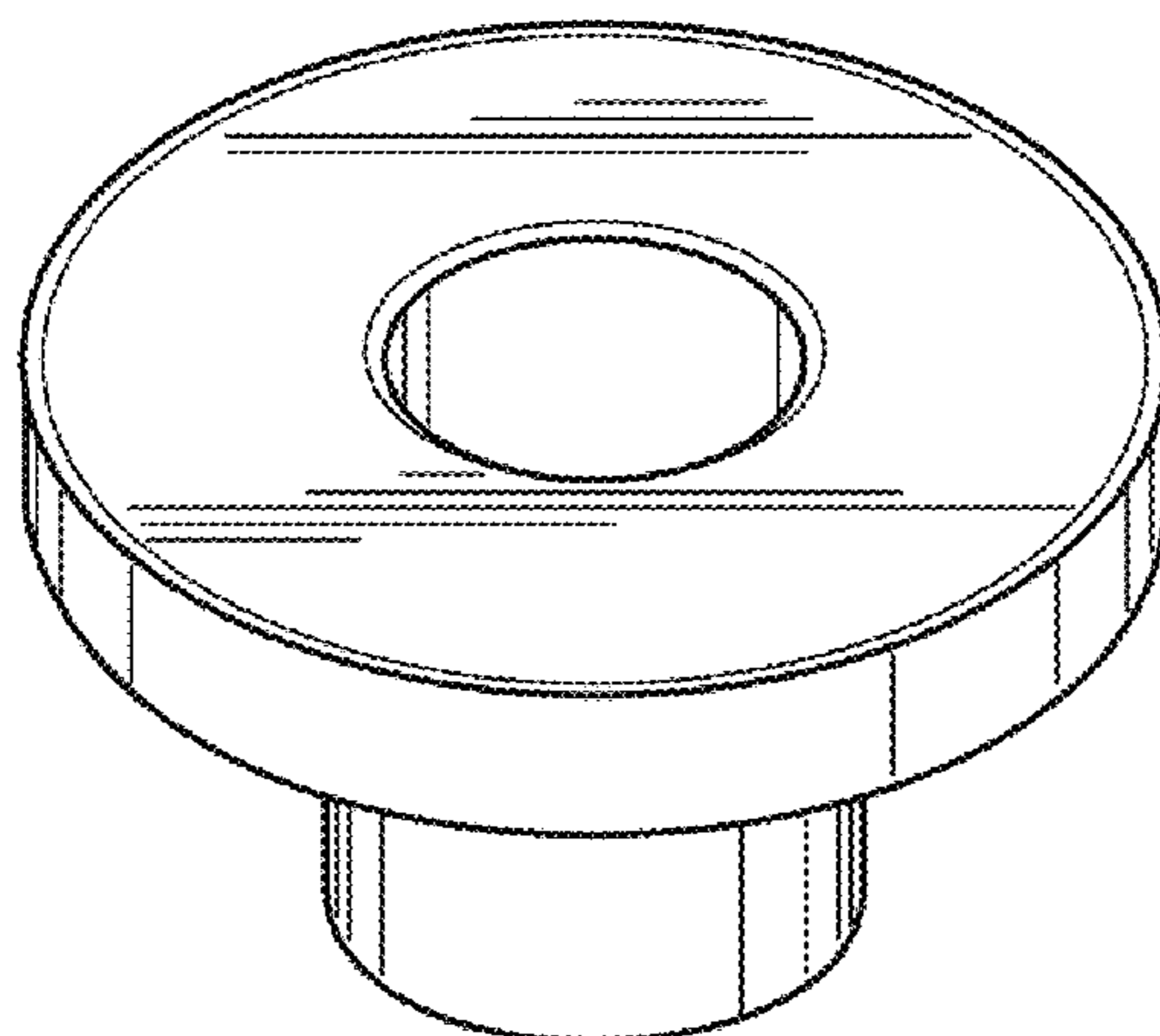
FIG. 2 is a side elevational view thereof;

FIG. 3 is a top view thereof;

FIG. 4 is a bottom view thereof; and,

FIG. 5 is a cross-sectional view thereof.

**1 Claim, 1 Drawing Sheet**



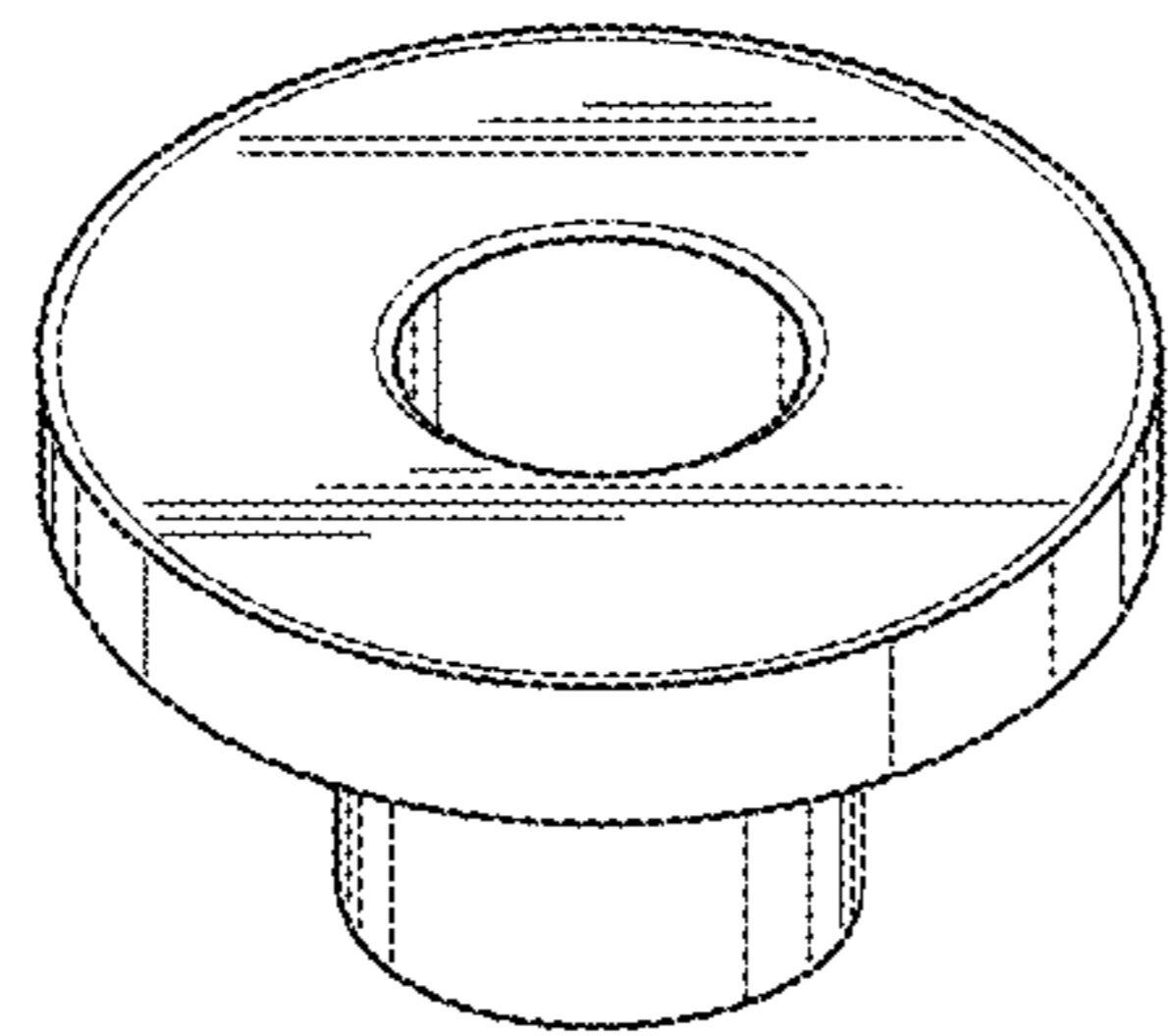


FIG. 1

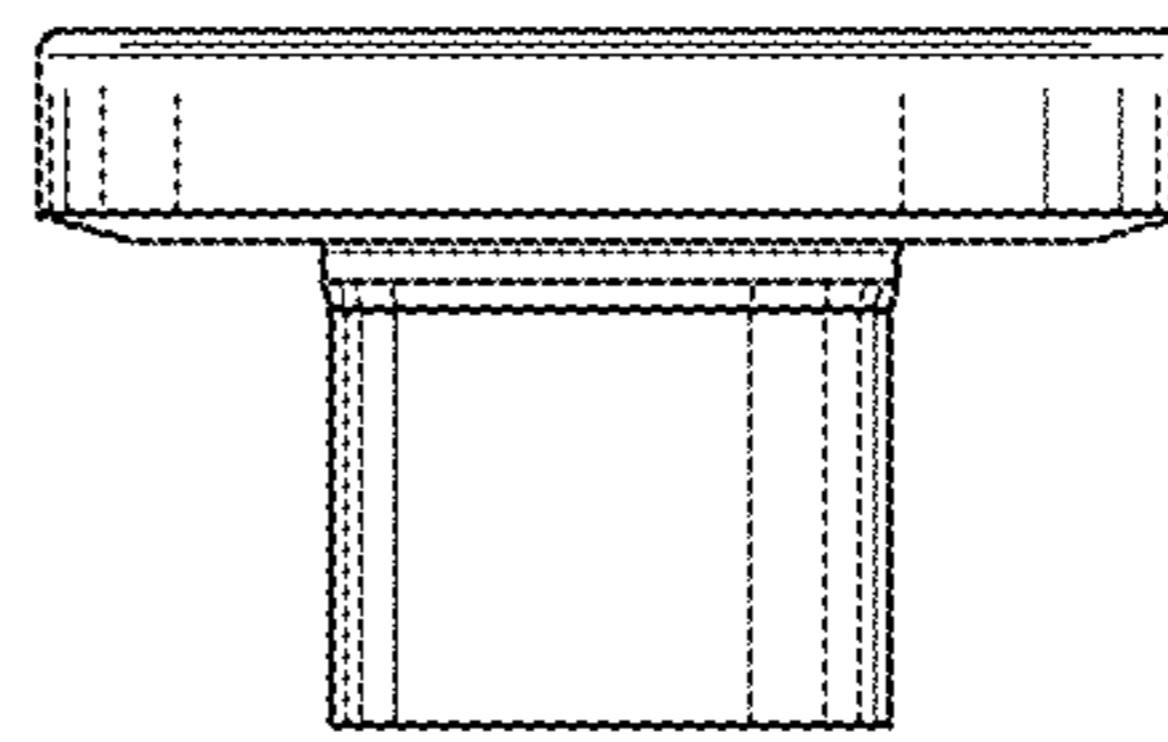


FIG. 2

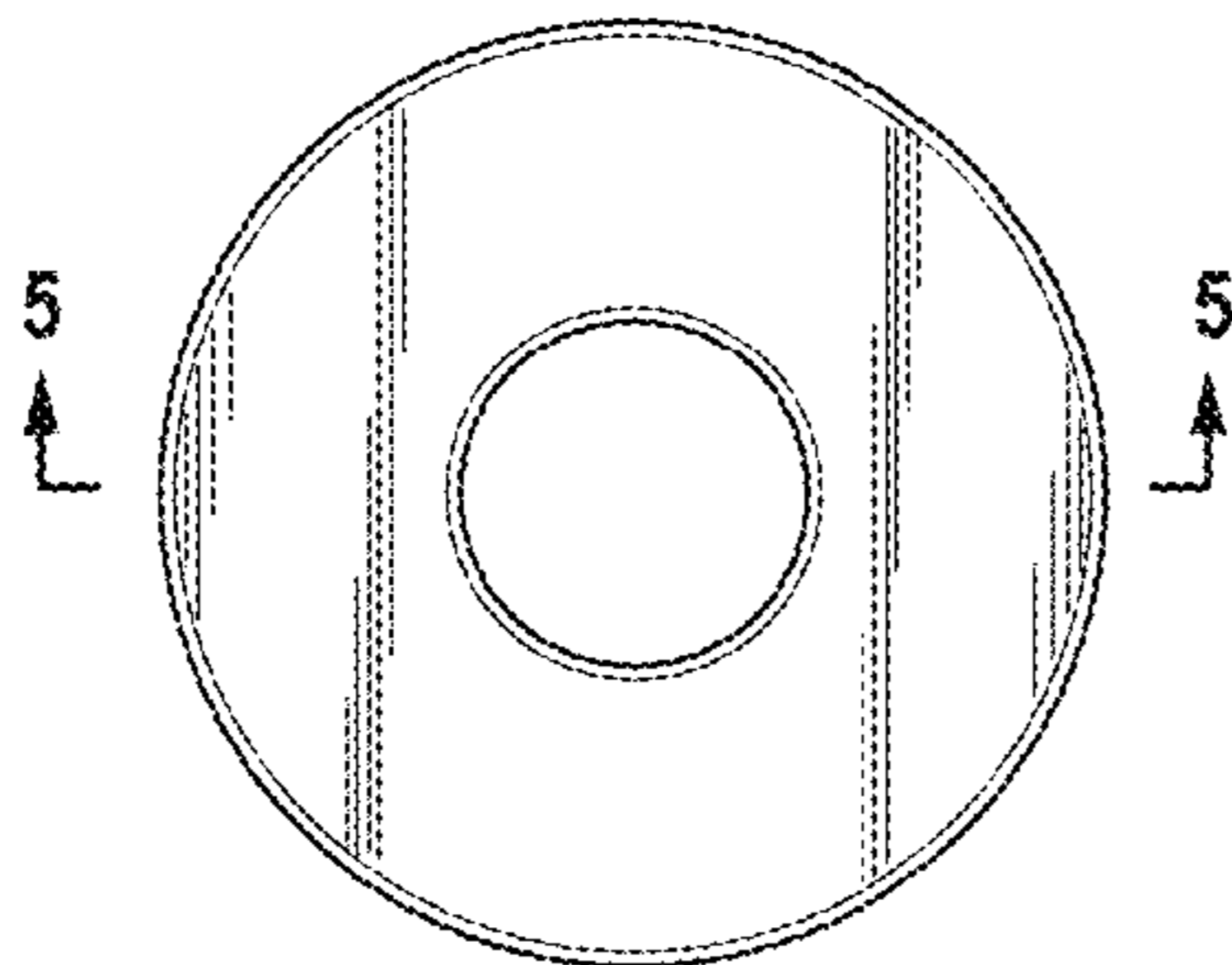


FIG. 3

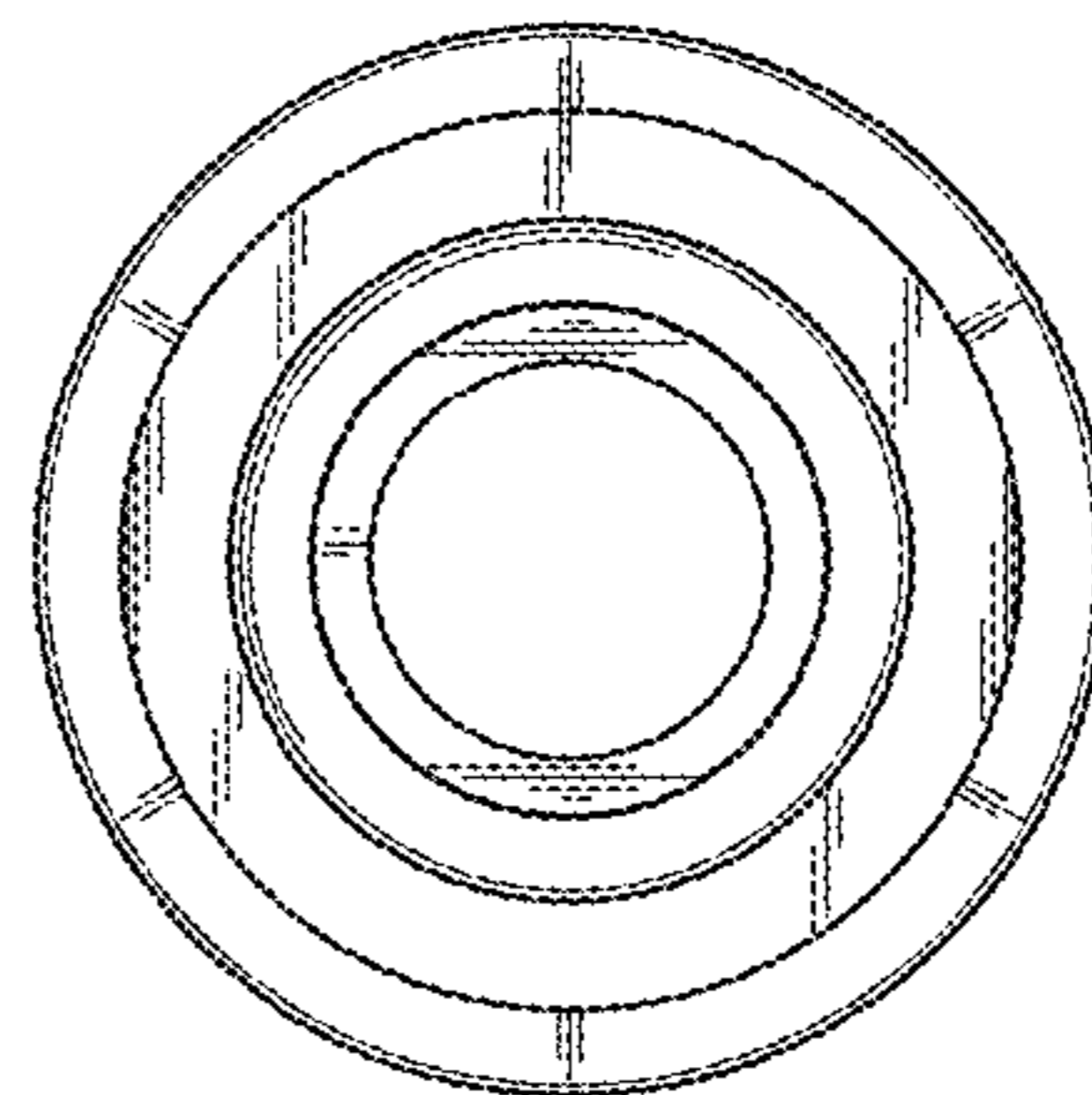


FIG. 4

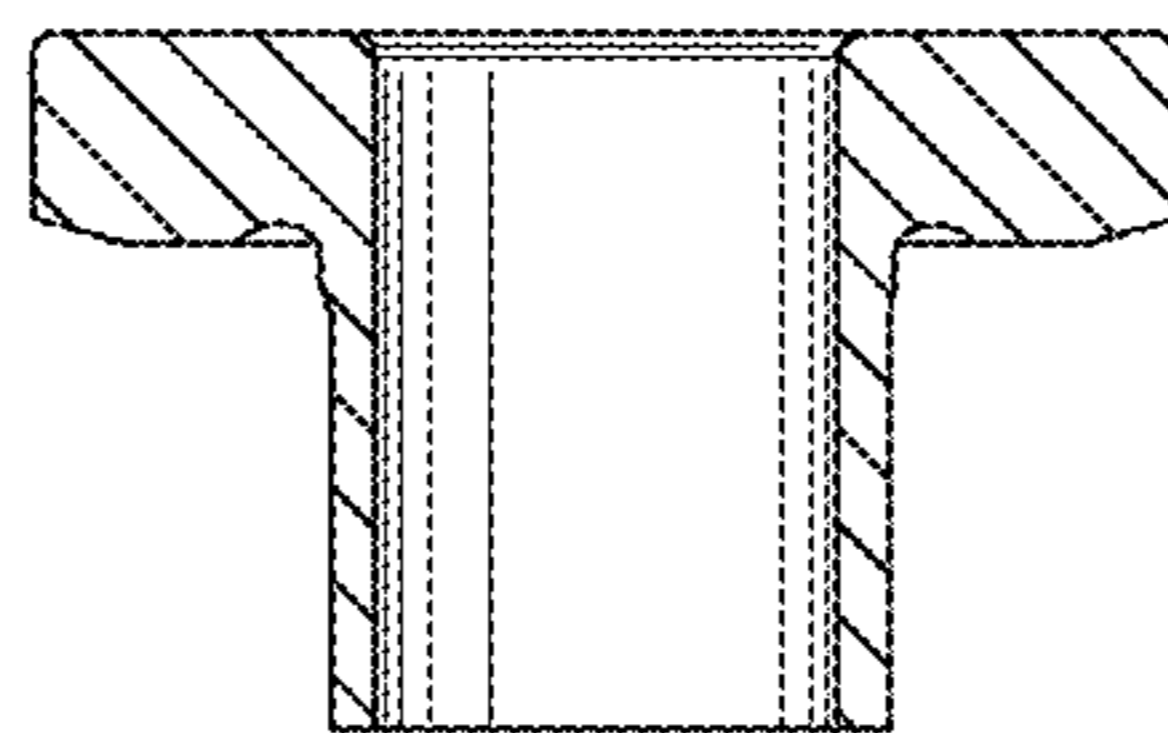


FIG. 5