



US00D861733S

(12) **United States Design Patent**  
**Guender et al.**

(10) **Patent No.:** **US D861,733 S**  
(45) **Date of Patent:** **\*\* Oct. 1, 2019**

- (54) **HYDRAULIC POWER UNIT**
- (71) Applicant: **Robert Bosch GmbH**, Stuttgart (DE)
- (72) Inventors: **Andreas Guender**, Ramsthal (DE);  
**Ralf Maier**, Neuendorf (DE);  
**Wolfgang Horn**, Goeppingen (DE);  
**Rene Huettl**, Chemnitz (DE)
- (73) Assignee: **Robert Bosch GmbH**, Stuttgart (DE)
- (\*\*) Term: **15 Years**
- (21) Appl. No.: **29/580,533**
- (22) Filed: **Oct. 11, 2016**
- (30) **Foreign Application Priority Data**  
Apr. 11, 2016 (EM) ..... 003064096
- (51) **LOC (12) Cl.** ..... **15-01**
- (52) **U.S. Cl.**  
USPC ..... **D15/5**
- (58) **Field of Classification Search**  
USPC ..... D15/5, 7; D13/101, 103, 110, 112, 114,  
D13/122, 184  
CPC ..... F04B 17/03; F04B 53/16; B60T 15/028  
See application file for complete search history.

- (56) **References Cited**  
U.S. PATENT DOCUMENTS  
5,294,904 A \* 3/1994 Volz ..... B60T 8/3675  
251/129.15  
D511,746 S \* 11/2005 Lu ..... D13/110  
D530,277 S \* 10/2006 Lin ..... D13/110  
D718,716 S \* 12/2014 Barbu ..... D13/110  
D798,911 S \* 10/2017 Chao ..... D15/7  
D811,443 S \* 2/2018 Marini ..... D15/9

- 2011/0293450 A1\* 12/2011 Grimes ..... F04B 17/03  
417/420
- 2012/0034111 A1\* 2/2012 Schiffhauer ..... B08B 3/026  
417/371
- 2016/0319807 A1\* 11/2016 Anderson ..... F04B 17/03
- 2017/0174195 A1\* 6/2017 Sagayama ..... B60T 8/34
- 2017/0259799 A1\* 9/2017 Weh ..... F04B 9/02
- 2018/0023556 A1\* 1/2018 Yan ..... F04B 9/045  
417/42
- 2018/0274526 A1\* 9/2018 Guender ..... F15B 21/044
- 2018/0328349 A1\* 11/2018 Wu ..... F04B 1/16

\* cited by examiner

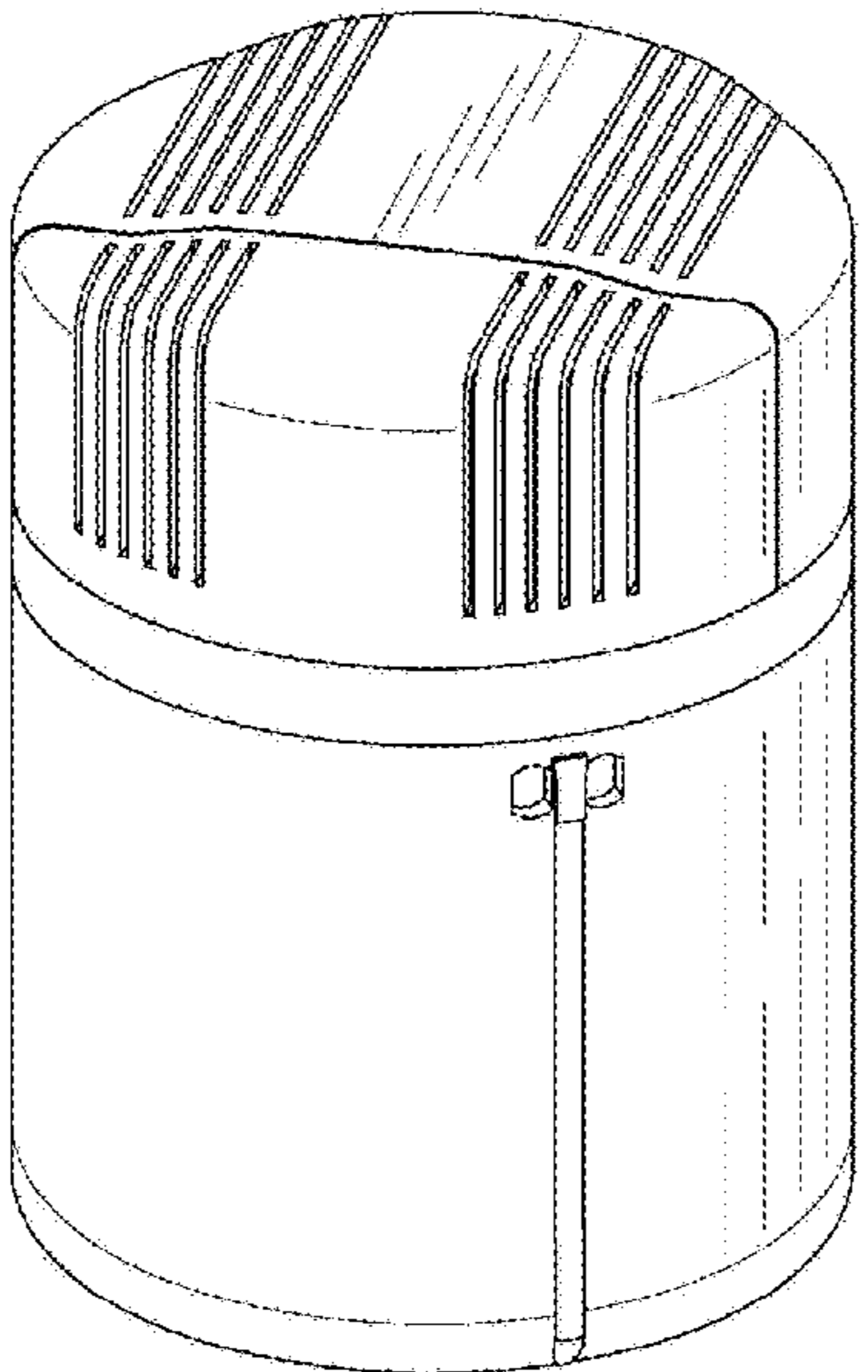
*Primary Examiner* — T Chase Nelson  
*Assistant Examiner* — Ania Aman  
(74) *Attorney, Agent, or Firm* — Maginot, Moore & Beck  
LLP

(57) **CLAIM**  
The ornamental design for a hydraulic power unit, as shown  
and described.

**DESCRIPTION**

FIG. 1 is a perspective view of a hydraulic power unit showing our new design;  
FIG. 2 is a front elevational view showing the design for the hydraulic power unit of FIG. 1;  
FIG. 3 is a rear elevational view showing the design for the hydraulic power unit of FIG. 1;  
FIG. 4 is a right side elevational view showing the design for the hydraulic power unit of FIG. 1;  
FIG. 5 is a left side elevational view showing the design for the hydraulic power unit of FIG. 1;  
FIG. 6 is a top plan view showing the design for the hydraulic power unit of FIG. 1; and,  
FIG. 7 is a bottom plan view showing the design for the hydraulic power unit of FIG. 1.

**1 Claim, 7 Drawing Sheets**



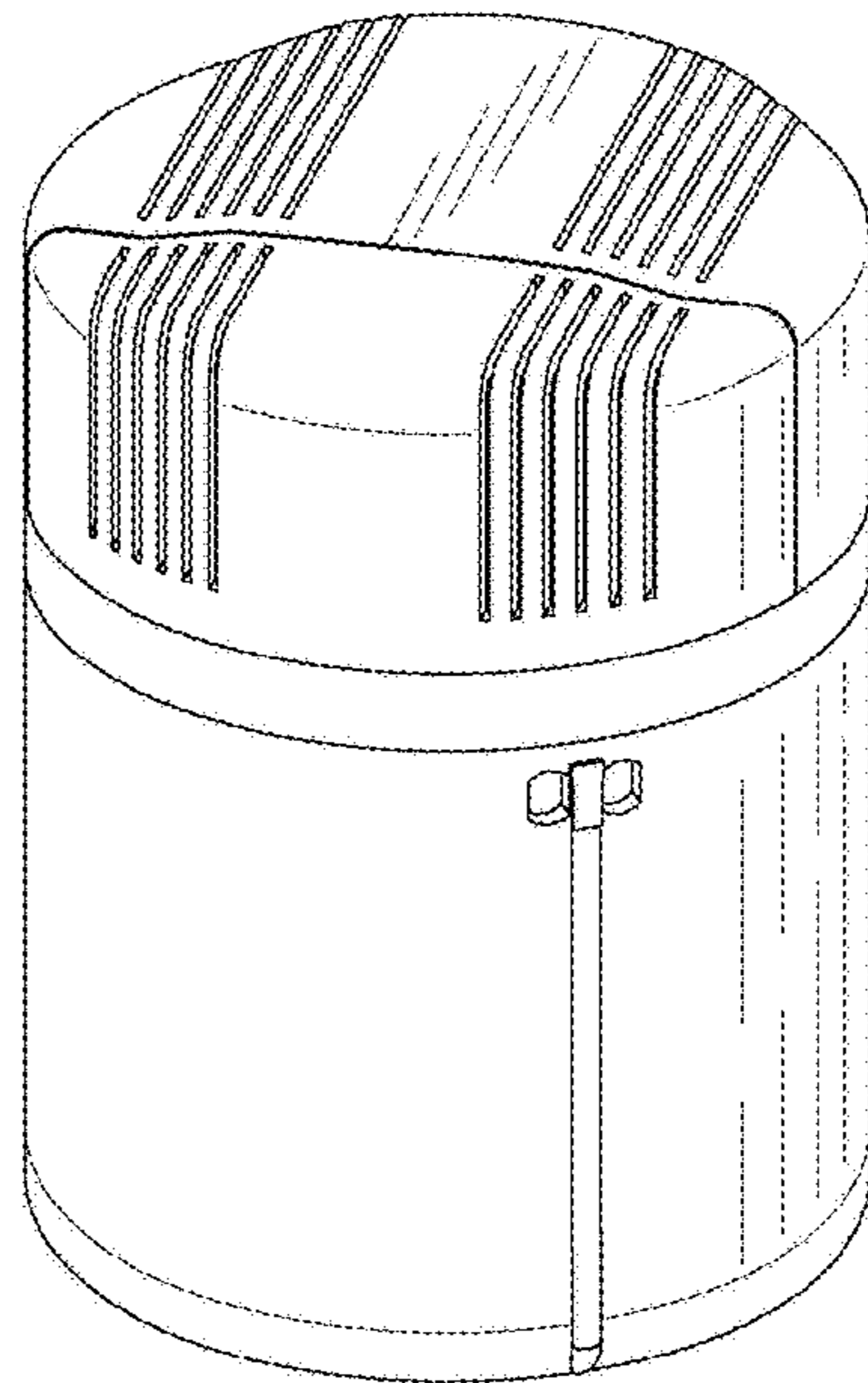


FIG. 1

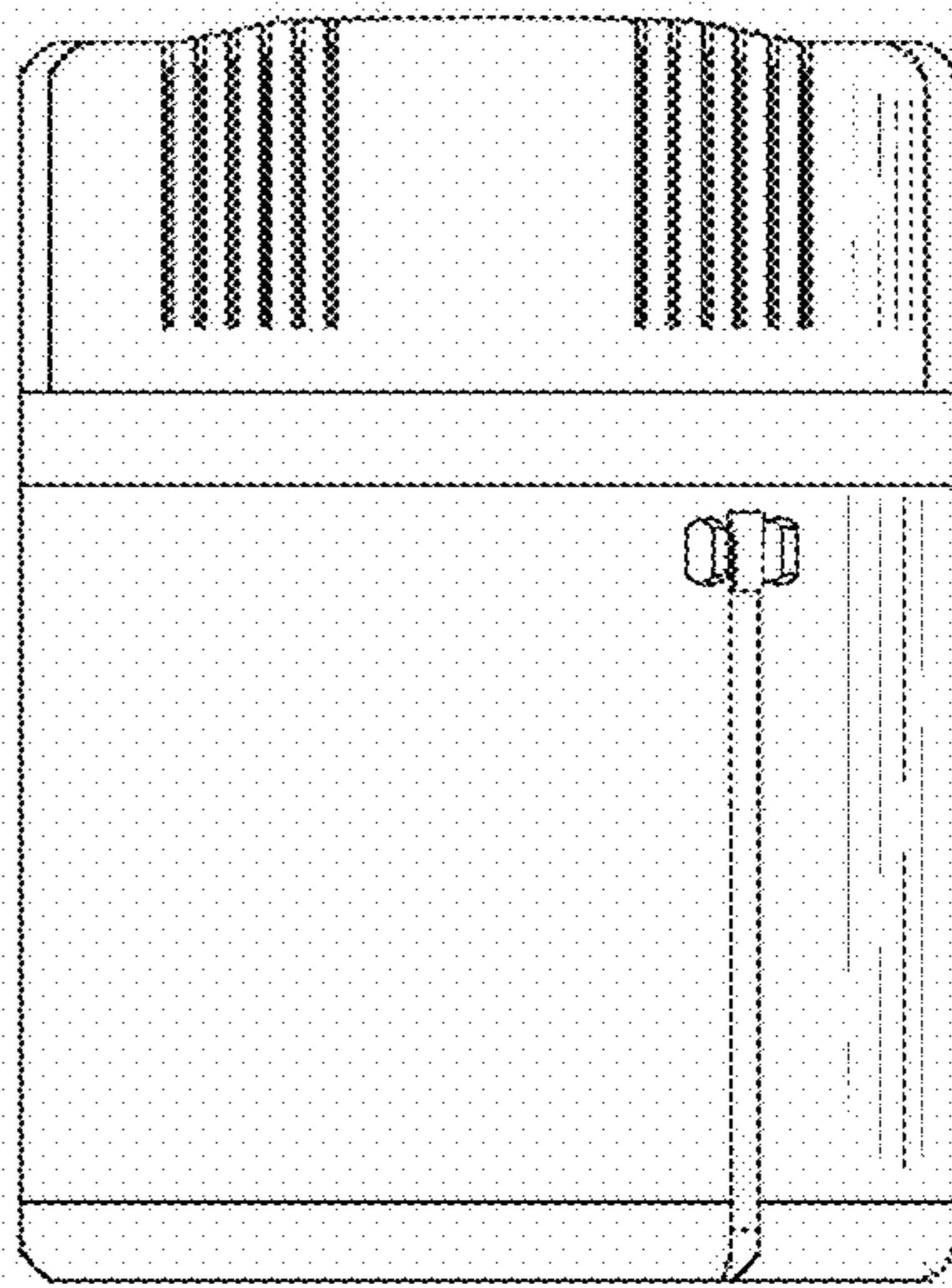


FIG. 2

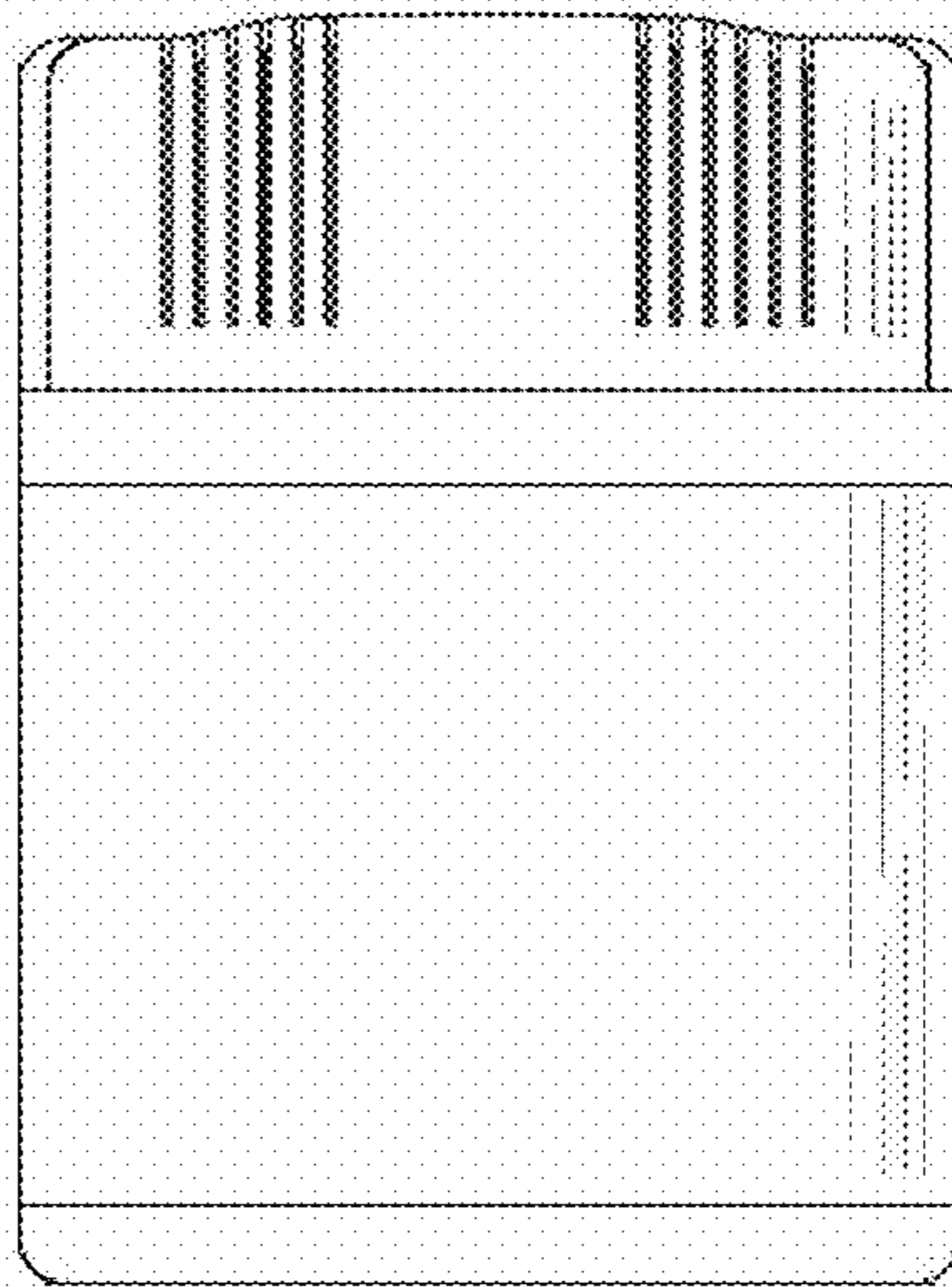


FIG. 3

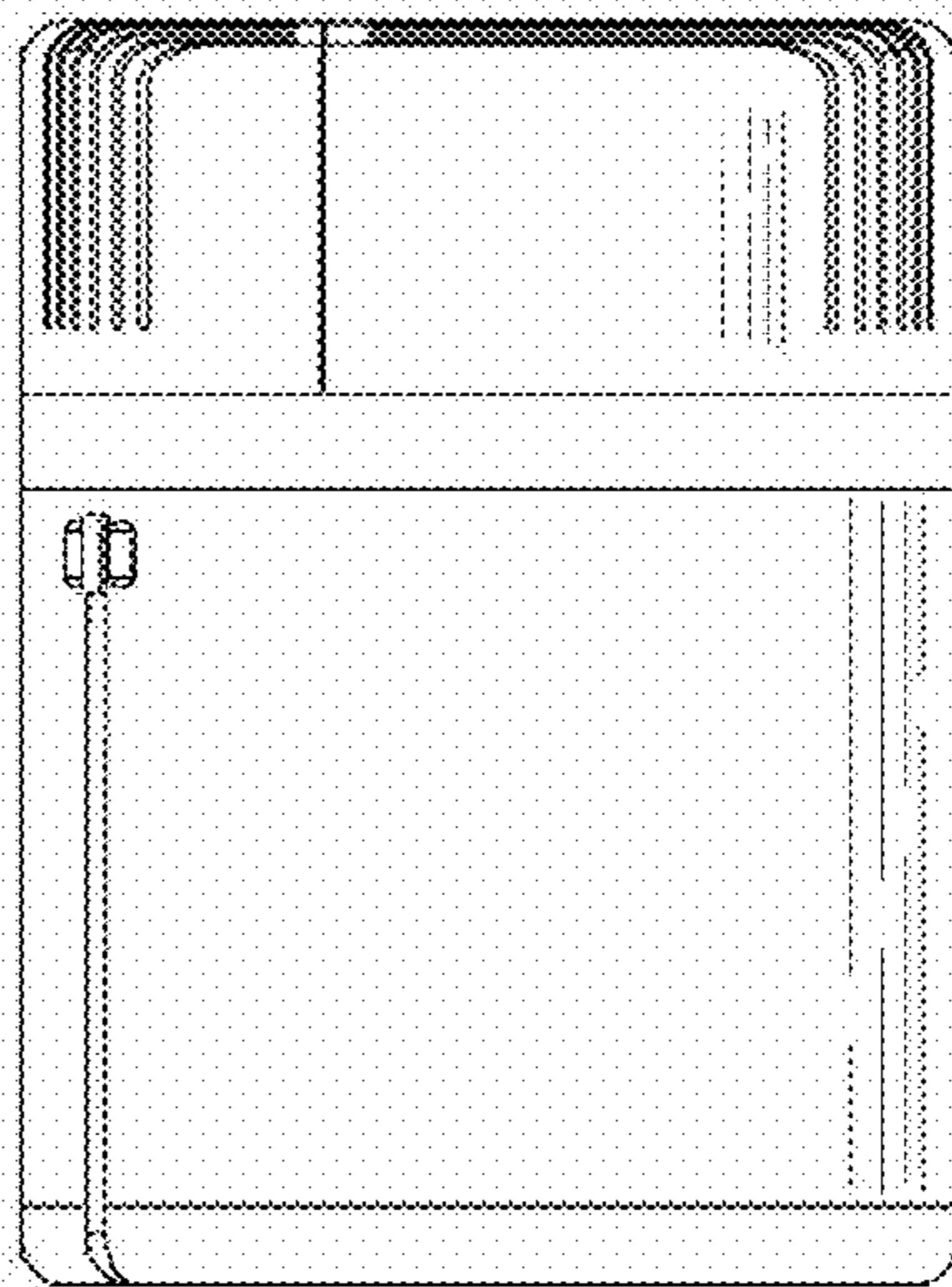


FIG. 4

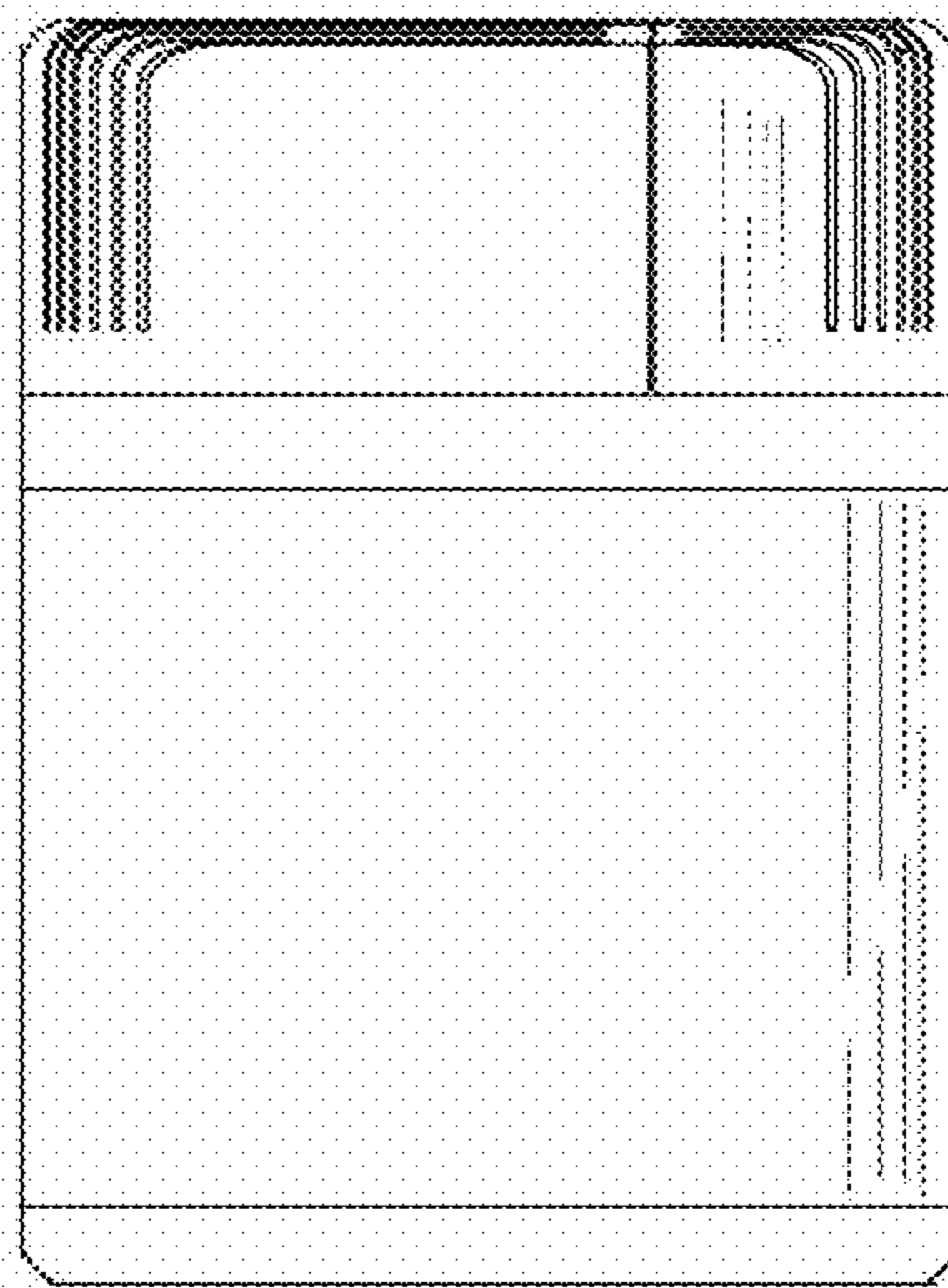


FIG. 5

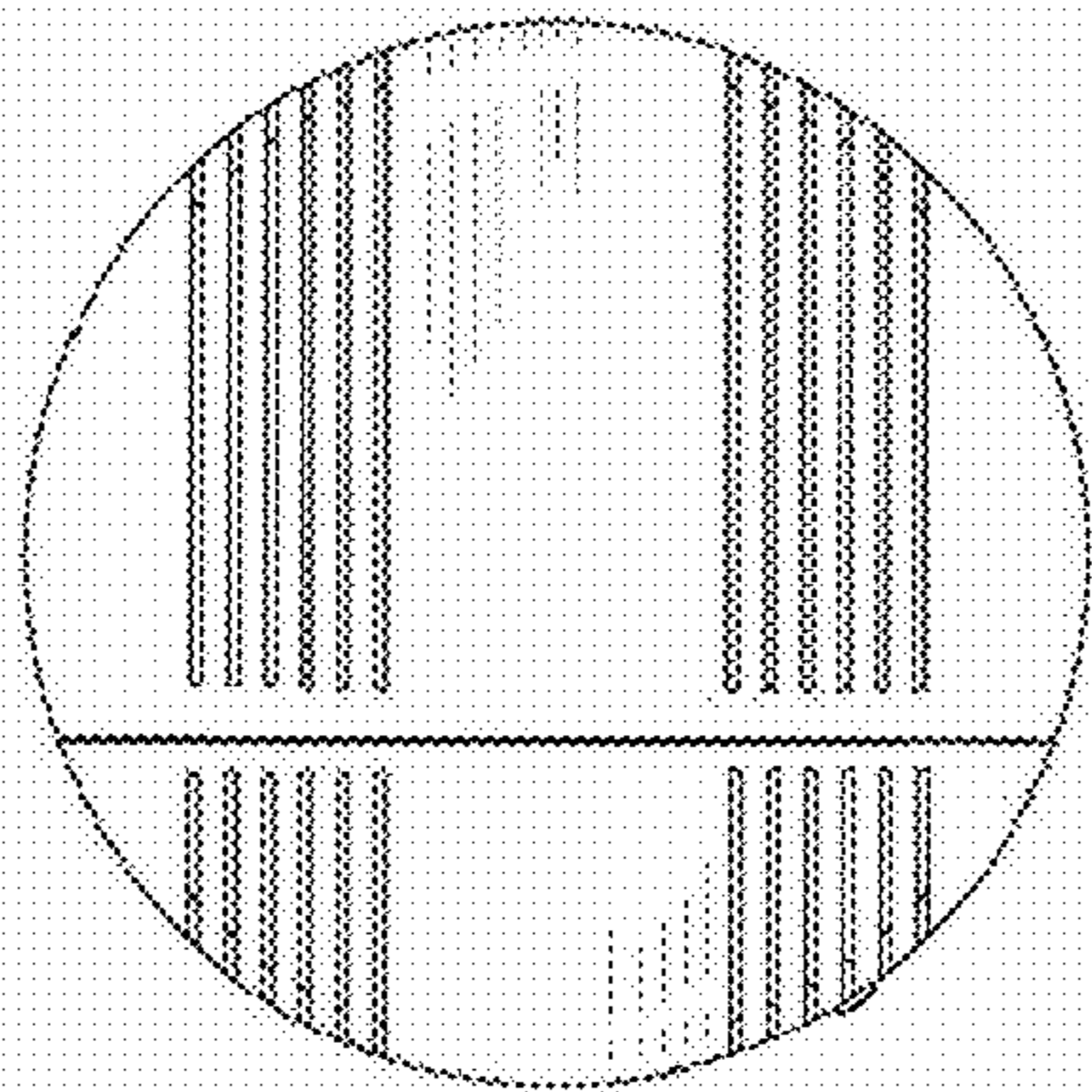


FIG. 6

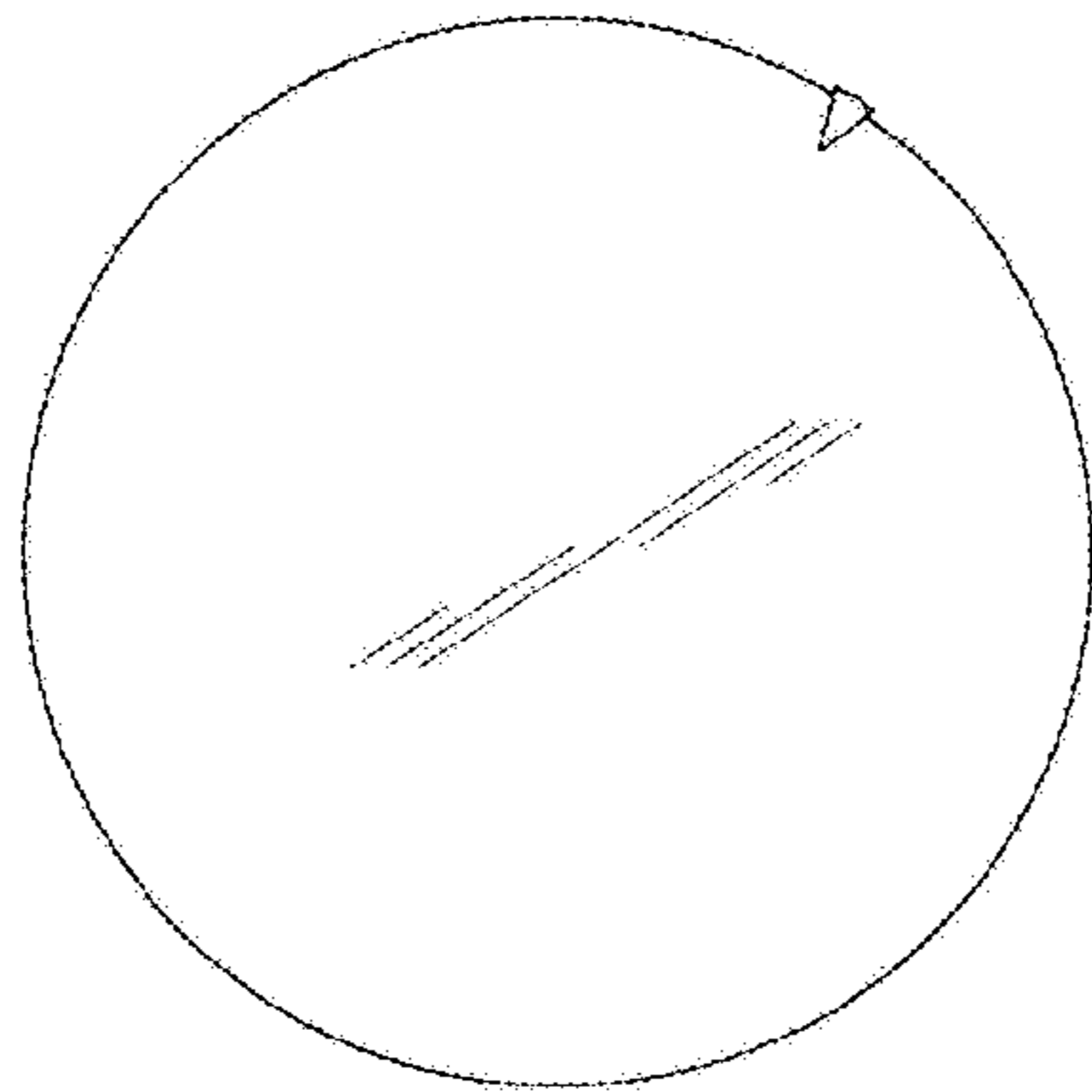


FIG. 7