

US00D861732S

(12) **United States Design Patent**  
**Wilkerson**

(10) **Patent No.:** **US D861,732 S**

(45) **Date of Patent:** **\*\* Oct. 1, 2019**

(54) **PREGNANCY TEST DEVICE DISPLAY  
PANEL WITH TRANSITIONAL GRAPHICAL  
USER INTERFACE**

(71) Applicant: **Erica Rachelle Wilkerson**, North  
Vernon, IN (US)

(72) Inventor: **Erica Rachelle Wilkerson**, North  
Vernon, IN (US)

(\*\*) Term: **15 Years**

(21) Appl. No.: **29/631,838**

(22) Filed: **Jan. 3, 2018**

(51) **LOC (12) Cl.** ..... **14-04**

(52) **U.S. Cl.**  
USPC ..... **D14/495; D24/223**

(58) **Field of Classification Search**  
USPC ..... D14/485-495; 345/1.1, 1.2, 2.1-2.3, 3.1,  
345/902; 715/763, 810, 836, 837, 846,  
715/847, 977; D24/233, 122, 223  
CPC .... G06F 3/048; G06F 3/0481; G06F 3/04812;  
G06F 3/04817; G06F 3/0482; G06F  
3/0483; G06F 3/0484; G06F 3/04847;  
G06F 3/0485; G06F 3/04855; G06F  
3/04886; G06Q 30/00; H03J 1/00; H03J  
1/0008; H03J 1/0016; H03J 1/0025;  
H04N 5/00; H04N 5/08; H04N 5/14;  
H04N 5/222; H04N 5/225; H04N 5/232;  
H04N 5/445; H04N 5/44543; H04N 5/45;  
H04N 2005/44517; H04N 2005/44521;  
H04N 2005/44526; H04N 2005/4453;  
H04N 2005/44534; H04N 2005/44539;  
H04N 2005/44547; H04N 2005/44556;  
H04N 2005/4456; H04N 2005/44565;  
H04N 2005/44569; H04N 2005/44573;  
H04N 21/00; H04N 21/234; H04N  
21/431; H04N 21/4312; H04N 21/4314;  
H04N 21/4316

See application file for complete search history.

(56) **References Cited**

U.S. PATENT DOCUMENTS

D462,362 S \* 9/2002 Sturm ..... D14/489  
D553,149 S \* 10/2007 Viegars ..... D14/492

(Continued)

OTHER PUBLICATIONS

“Family outline.” iconfinder.com. Added Jun. 12, 2018, accessed  
May 21, 2019. Available online at URL: <https://www.iconfinder.com/iconsets/family-outline-2> (Year: 2018).\*

(Continued)

*Primary Examiner* — Cathron C Brooks

*Assistant Examiner* — Christian P. McLean

(74) *Attorney, Agent, or Firm* — Roberts IP Law; John  
Roberts

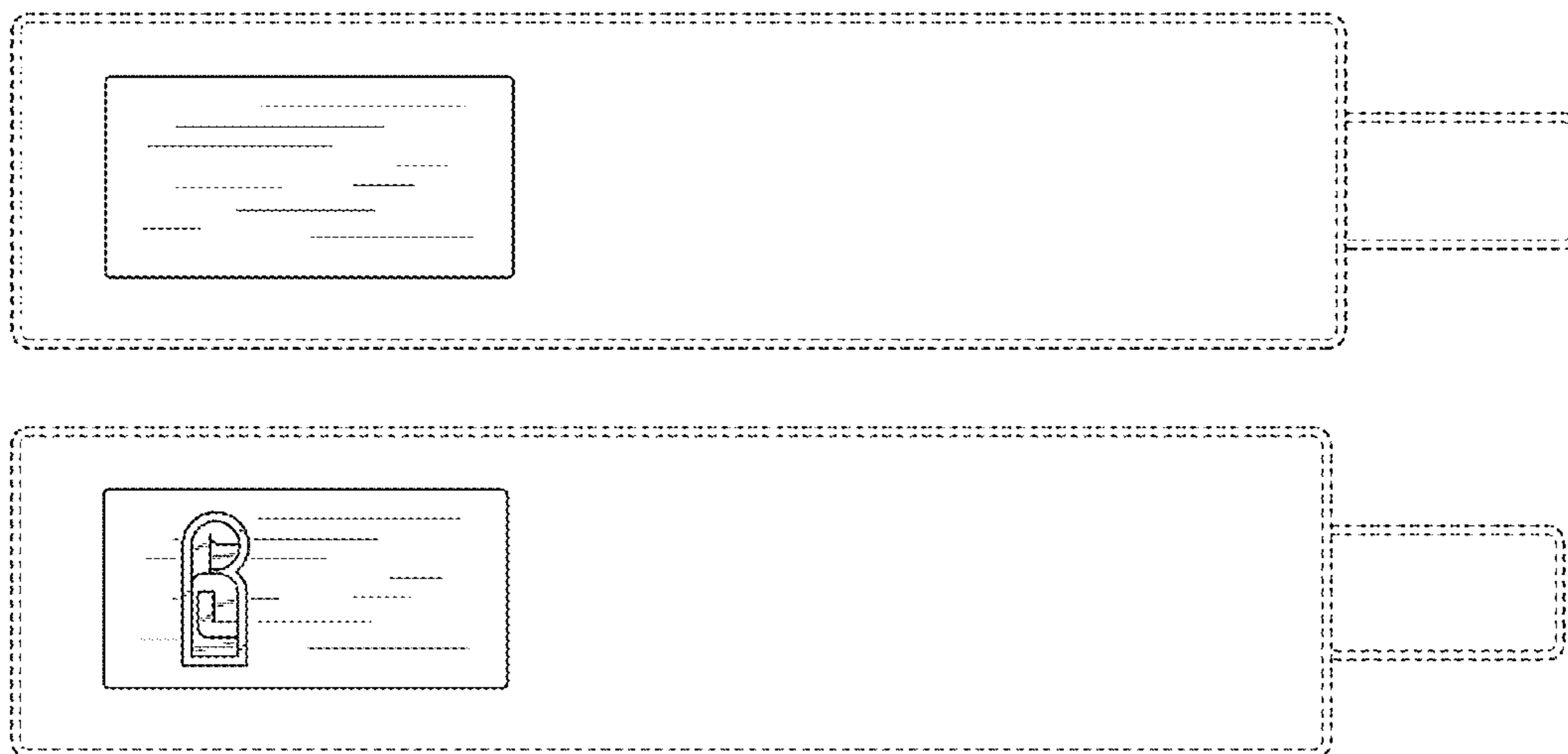
(57) **CLAIM**

The ornamental design for a pregnancy test device display  
panel with transitional graphical user interface, as shown.

**DESCRIPTION**

FIG. 1 is a top perspective view of a first image in a sequence  
of a pregnancy test device display panel with transitional  
graphical user interface, showing my new design;  
FIG. 2 is a top plan view of the design shown in FIG. 1;  
FIG. 3 is a top perspective view of a second image in the  
sequence; and,  
FIG. 4 is a top plan view of the design shown in FIG. 3.  
The appearance of the image sequentially transitions  
between the images shown in FIGS. 1 and 3. The process or  
period in which one image transitions to another forms no  
part of the claimed design.  
The horizontal lines illustrate surface shading on the display  
panel. The broken line showing of a pregnancy test device  
illustrates the environment of the design and forms no part  
of the claimed design.

**1 Claim, 4 Drawing Sheets**



(56)

**References Cited**

U.S. PATENT DOCUMENTS

D756,403	S	*	5/2016	Moon	.....	D14/489
D760,788	S	*	7/2016	Cho	.....	D14/492
D819,694	S	*	6/2018	Kim	.....	D14/492
D828,392	S	*	9/2018	Lee	.....	D14/489
D837,826	S	*	1/2019	Bureau	.....	D14/490
D848,483	S	*	5/2019	Itano	.....	D14/495
D848,484	S	*	5/2019	Itano	.....	D14/495
D849,052	S	*	5/2019	Niven	.....	D14/492

OTHER PUBLICATIONS

Farias, Boris. "Web Basics—Line vol. 02." Added Dec. 14, 2016, accessed May 21, 2019. Available online at URL: <https://www.iconfinder.com/iconsets/web-basics-line-vol-02> (Year: 2016).\*

\* cited by examiner

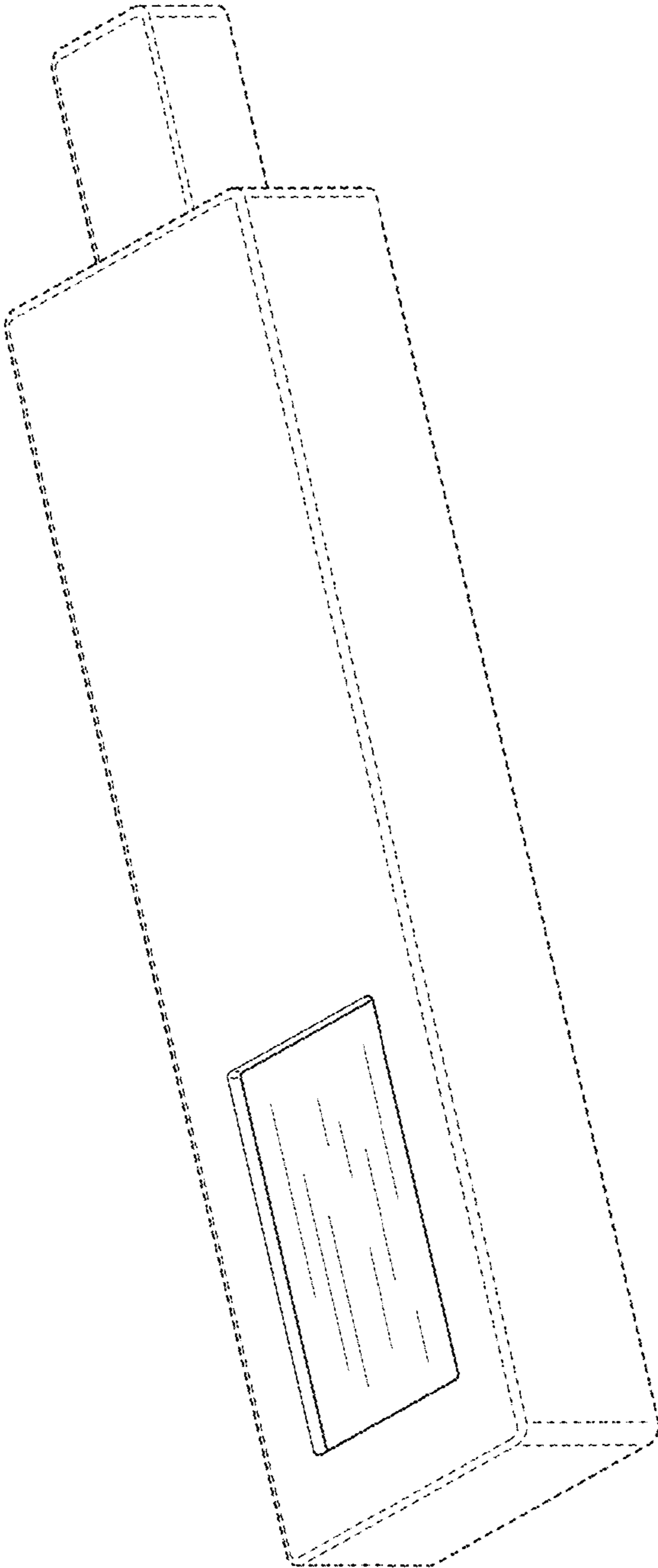


FIG. 1

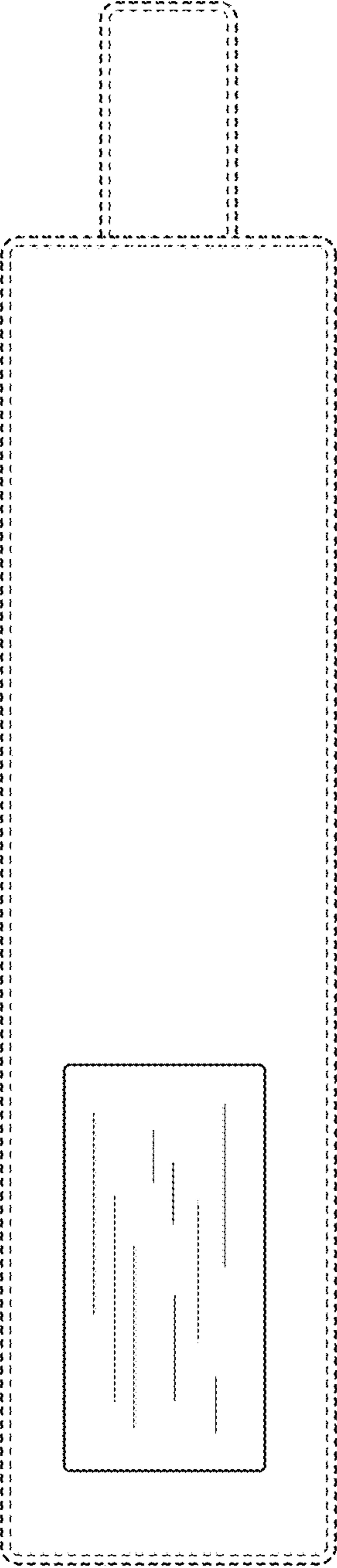


FIG. 2

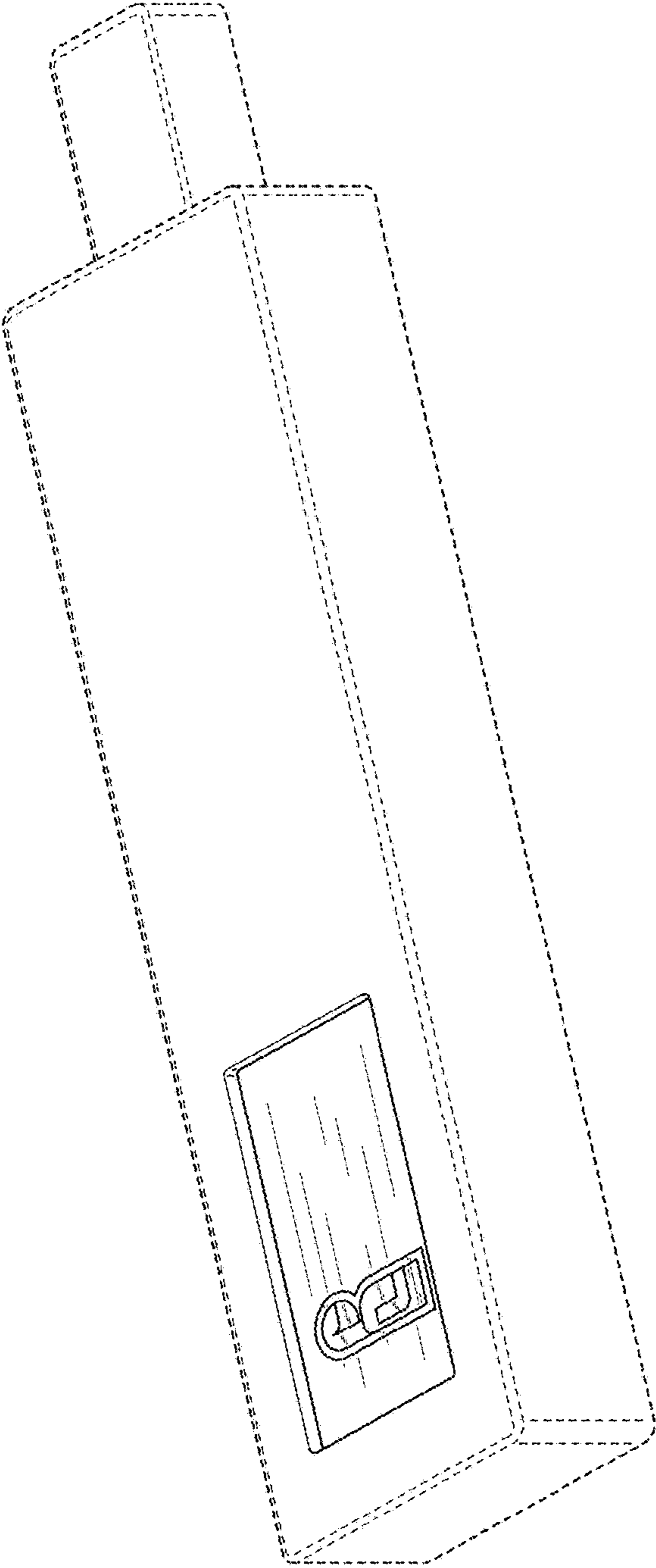


FIG. 3

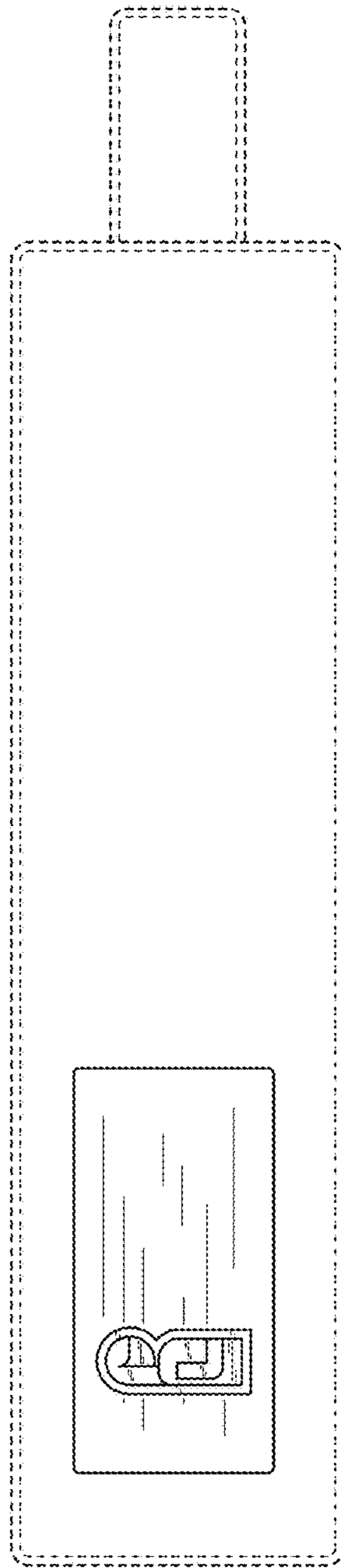


FIG. 4