

US00D861726S

(12) **United States Design Patent** (10) **Patent No.:** **US D861,726 S**  
**Niven et al.** (45) **Date of Patent:** **\*\* \*Oct. 1, 2019**

(54) **DISPLAY SCREEN OR PORTION THEREOF WITH ICON**

(71) Applicant: **Dyson Technology Limited**, Wiltshire (GB)

(72) Inventors: **Ruth Niven**, Bristol (GB); **Leanne Joyce Garner**, Bristol (GB); **Andrew James Holden**, Cheltenham (GB); **Adam James Bates**, Oxford (GB)

(73) Assignee: **Dyson Technology Limited**, Malmesbury, Wiltshire (GB)

(\*) Notice: This patent is subject to a terminal disclaimer.

(\*\*) Term: **15 Years**

(21) Appl. No.: **29/648,582**

(22) Filed: **May 22, 2018**

(30) **Foreign Application Priority Data**

Nov. 24, 2017 (EM) ..... 004521524-0016

(51) **LOC (12) Cl.** ..... **14-04**

(52) **U.S. Cl.**  
USPC ..... **D14/492**

(58) **Field of Classification Search**  
USPC ..... D14/489-495; D20/10, 11, 22-33, 39, D20/40; D5/20, 26, 30, 40, 63-65  
CPC ..... G06F 3/048-04897; F24F 11/001; F24F 11/008; G05B 15/02; G05D 23/19; H04L 2012/285; H04L 41/22; H04L 12/282; B60H 1/00; A47L 2201/00; F04D 25/00  
See application file for complete search history.

(56) **References Cited**

**U.S. PATENT DOCUMENTS**

D37,717 S \* 12/1905 Steinau ..... D20/29  
7,137,075 B2 \* 11/2006 Hoshino ..... G06F 3/04815  
715/848

D650,800 S 12/2011 Impas et al.  
D650,803 S \* 12/2011 Impas ..... D14/495  
D650,806 S \* 12/2011 Impas ..... D14/495  
D657,380 S \* 4/2012 Impas ..... D14/495  
D681,672 S \* 5/2013 Phelan ..... D14/492  
D682,880 S 5/2013 Koehn et al.  
D704,207 S \* 5/2014 Lee ..... D14/486  
D725,673 S \* 3/2015 Nagaoka ..... D14/489  
D759,721 S \* 6/2016 Ryu ..... D14/492  
D761,834 S \* 7/2016 Debitsch ..... D14/486  
D762,225 S 7/2016 Cao et al.  
D772,931 S 11/2016 Vulk et al.  
D780,803 S \* 3/2017 Gill ..... D14/489  
D783,141 S 4/2017 Poulton et al.  
D786,926 S 5/2017 Jang et al.

(Continued)

**OTHER PUBLICATIONS**

Dyson-Cool-Air-Link-Purifier-App, by Gerald, geekculture.co [online], published on Jun. 18, 2016, [retrieved on Jan. 14, 2019], retrieved from the Internet <URL: <https://geekculture.co/geek-review-dyson-pure-cool-link-air-purifier/dyson-cool-air-link-purifier-app/>> (Year: 2016).\*

(Continued)

*Primary Examiner* — Cathron C Brooks  
*Assistant Examiner* — Ian F Whitmore  
(74) *Attorney, Agent, or Firm* — Morrison & Foerster LLP

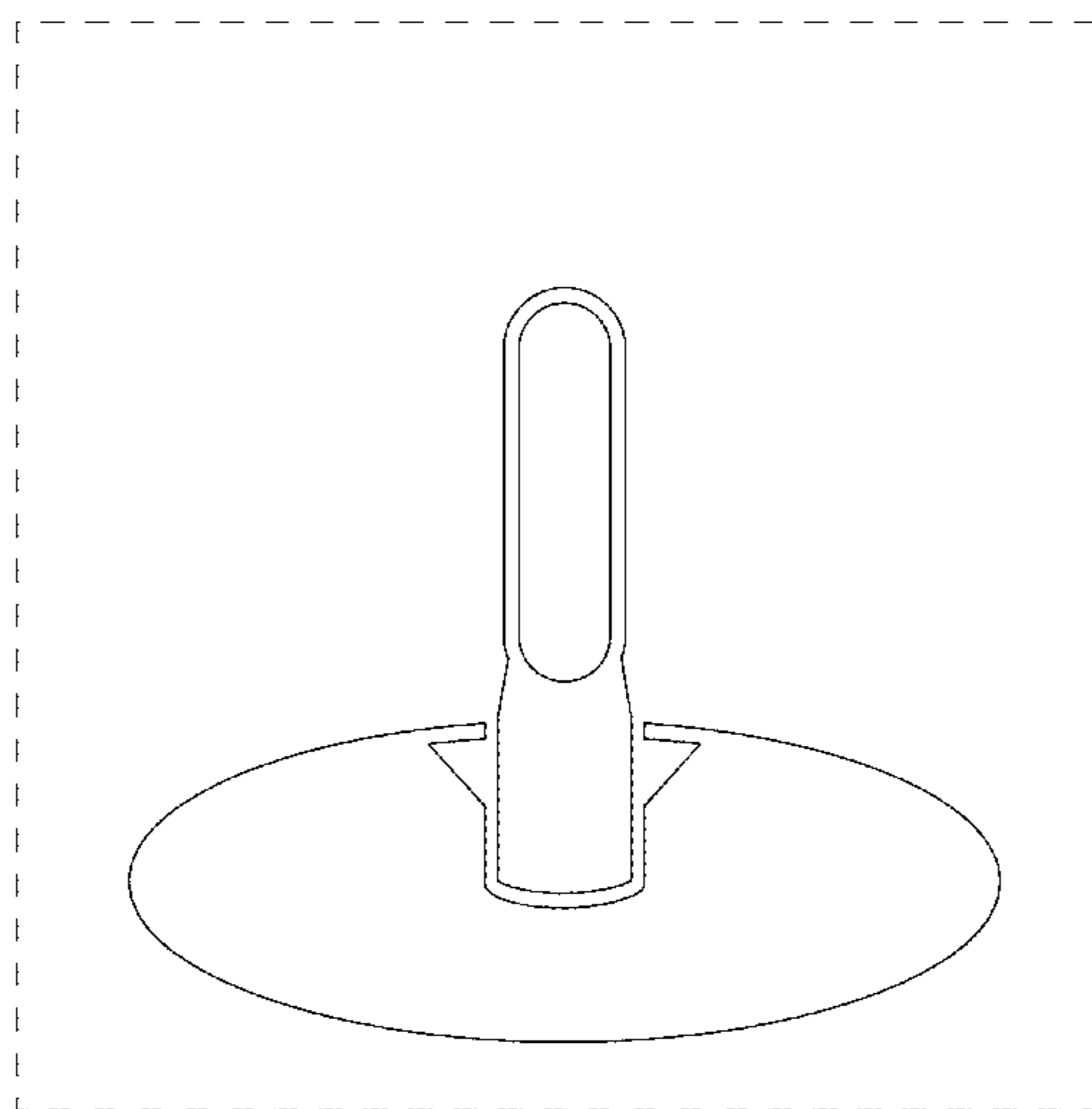
(57) **CLAIM**

We claim the ornamental design for a display screen or portion thereof with icon, as shown and described.

**DESCRIPTION**

The single FIGURE is a front view of a display screen or portion thereof with icon showing our new design. The broken-line perimeter illustrates a display screen or portion thereof and forms no part of the claimed design.

**1 Claim, 1 Drawing Sheet**



(56)

**References Cited**

## U.S. PATENT DOCUMENTS

D788,170	S	5/2017	Wessel	
D797,788	S	9/2017	Havranek, Jr.	
D816,703	S *	5/2018	Willis .....	D14/486
D819,048	S *	5/2018	Bates .....	D14/485
D834,093	S	11/2018	Fahsbender et al.	
D842,335	S *	3/2019	Taylor .....	D14/489
D843,412	S *	3/2019	Wang .....	D14/489
2016/0098167	A1	4/2016	Shah	
2017/0185278	A1	6/2017	Sundermeyer et al.	

## OTHER PUBLICATIONS

Geofencing 2, by Rude, dribbble.com [online], published on May 3, 2010, [retrieved on Jan. 17, 2019], retrieved from the Internet <URL: <https://dribbble.com/shots/18845-Geofencing-2>> (Year: 2010).\*

Joystick Icon, by Simplecon, iconfinder.com [online], published on Feb. 17, 2015, [retrieved on Jan. 17, 2019], retrieved from the Internet <URL: [https://www.iconfinder.com/icons/441996/joystick\\_icon](https://www.iconfinder.com/icons/441996/joystick_icon)> (Year: 2015).\*

Dyson Hot (AM04) Review, trustedreviews.com [online], published on Jan. 13, 2015, [retrieved on Jan. 17, 2019], retrieved from the Internet <URL: <https://www.trustedreviews.com/reviews/dyson-hot-am04>> (Year: 2015).\*

Creative Stall. (Jan. 18, 2016) "Controller, game, gamestick, gaming, joystick icon," located at <[https://www.iconfinder.com/icons/913651/controller\\_game\\_gamestick\\_gaming\\_joystick\\_icon](https://www.iconfinder.com/icons/913651/controller_game_gamestick_gaming_joystick_icon)> (2 pages).

DS DS. (Apr. 10, 2016) "Dyson Link app demo film," located at <[https://www.youtube.com/watch?v=\\_tCA0ttz\\_IQ](https://www.youtube.com/watch?v=_tCA0ttz_IQ)> (1 page).

Odyssey One Source, Inc. (Jun. 13, 2016). Trademark Registration Serial No. 78610397, 2 pages.

\* cited by examiner

