



US00D861702S

(12) **United States Design Patent**
Webb

(10) **Patent No.:** **US D861,702 S**

(45) **Date of Patent:** **** Oct. 1, 2019**

(54) **KEYBOARD WRIST PAD**

(71) Applicant: **Noel Webb**, Woodland Hills, CA (US)

(72) Inventor: **Noel Webb**, Woodland Hills, CA (US)

(**) Term: **15 Years**

(21) Appl. No.: **29/656,204**

(22) Filed: **Jul. 11, 2018**

(51) **LOC (12) Cl.** **06-06**

(52) **U.S. Cl.**
USPC **D14/460**

(58) **Field of Classification Search**
USPC D14/299, 344, 347, 432, 458–461, 447,
D14/451, 457, 250, 251, 440; D24/107,
D24/171, 190, 188; D29/120.1, 190–192;
D6/601
CPC A47B 2021/0307; A47B 2021/0321; A47B
2021/0378; A47B 21/00; A47B 21/0371;
A47G 9/1063; Y10S 248/918; G06F
3/014; G06F 3/033; G06F 3/039; G06F
3/045; G06F 3/0395
See application file for complete search history.

(56) **References Cited**

U.S. PATENT DOCUMENTS

5,040,757 A * 8/1991 Benaway A47B 21/0371
248/118.3
D324,210 S * 2/1992 Vossoughi D14/374
5,228,655 A * 7/1993 Garcia A47B 21/0371
248/118
D344,499 S * 2/1994 Stahl D14/461
D352,933 S * 11/1994 Vaule D14/461
D352,934 S * 11/1994 Juster D14/461
D355,647 S * 2/1995 Gresko D14/461
D357,910 S * 5/1995 Newhouse D14/461
D364,154 S * 11/1995 Knighton D14/461
D370,474 S * 6/1996 Kirchhoff D14/461

6,394,343 B1 * 5/2002 Berg G06K 7/0008
235/379
D506,438 S * 6/2005 Vinciarelli D13/110
D598,920 S * 8/2009 Fujino D14/447
D660,856 S * 5/2012 Josefek D14/461
D664,149 S * 7/2012 Crisp D14/459
D724,530 S * 3/2015 Kwon D13/103
D724,533 S * 3/2015 Kwon D13/103
D751,981 S * 3/2016 Lin D13/103
D754,881 S * 4/2016 Hatch D25/136
D754,882 S * 4/2016 Hatch D25/136
D769,810 S * 10/2016 Lin D13/103
D770,381 S * 11/2016 Lin D13/103
D784,995 S * 4/2017 Akana D14/440
D790,879 S * 7/2017 Maggard D6/601

(Continued)

OTHER PUBLICATIONS

Trust GXT 766 Flide Keyboard Wrist Pad, Gear-Up.me, [online],
[site visited Jun. 7, 2019]. URL: <https://gear-up.me/trust-gtx-766-flide-keyboard-wrist-pad.html> (Year: 2019).*

(Continued)

Primary Examiner — T Chase Nelson
Assistant Examiner — Jonathan J. Han

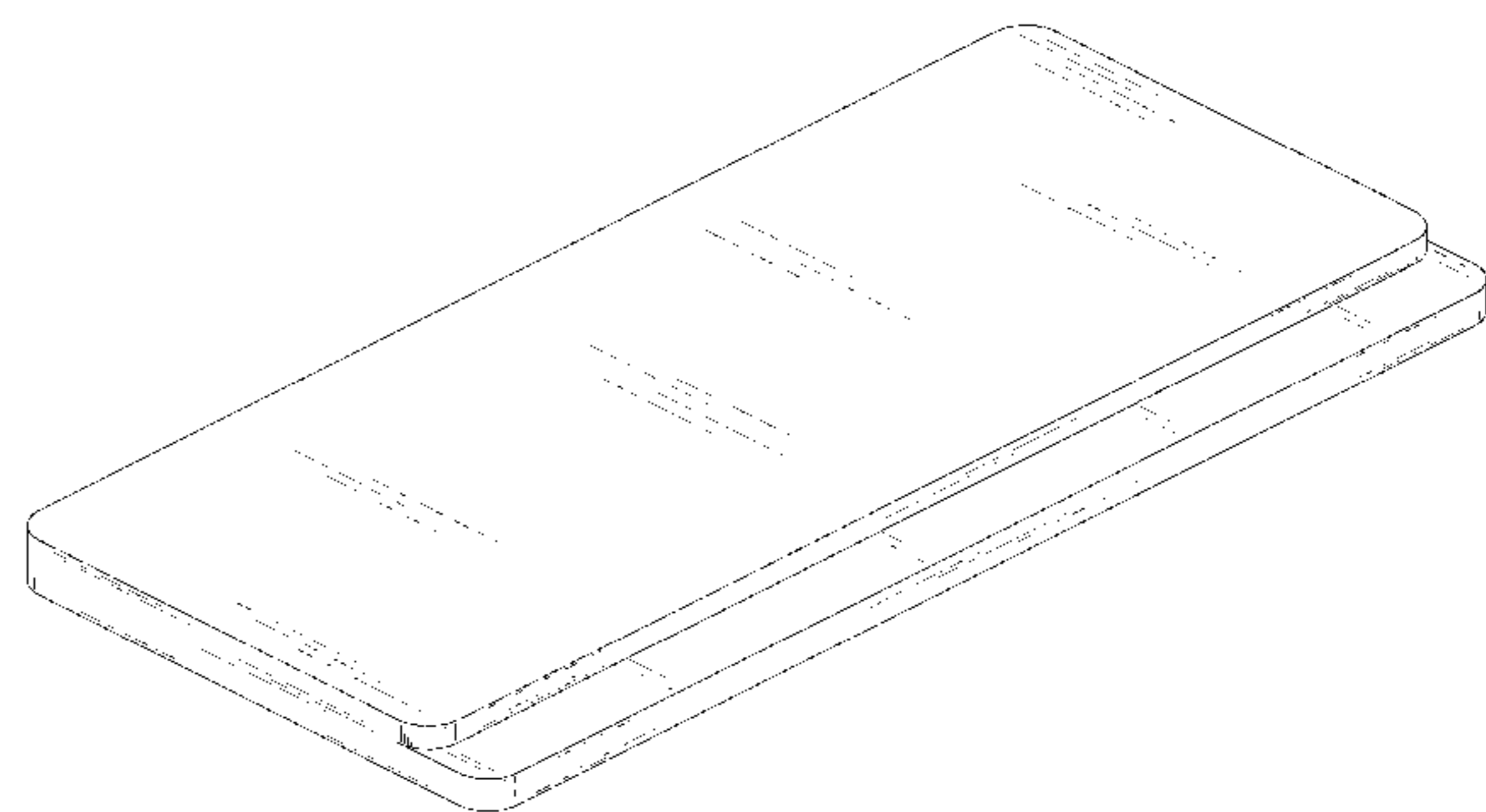
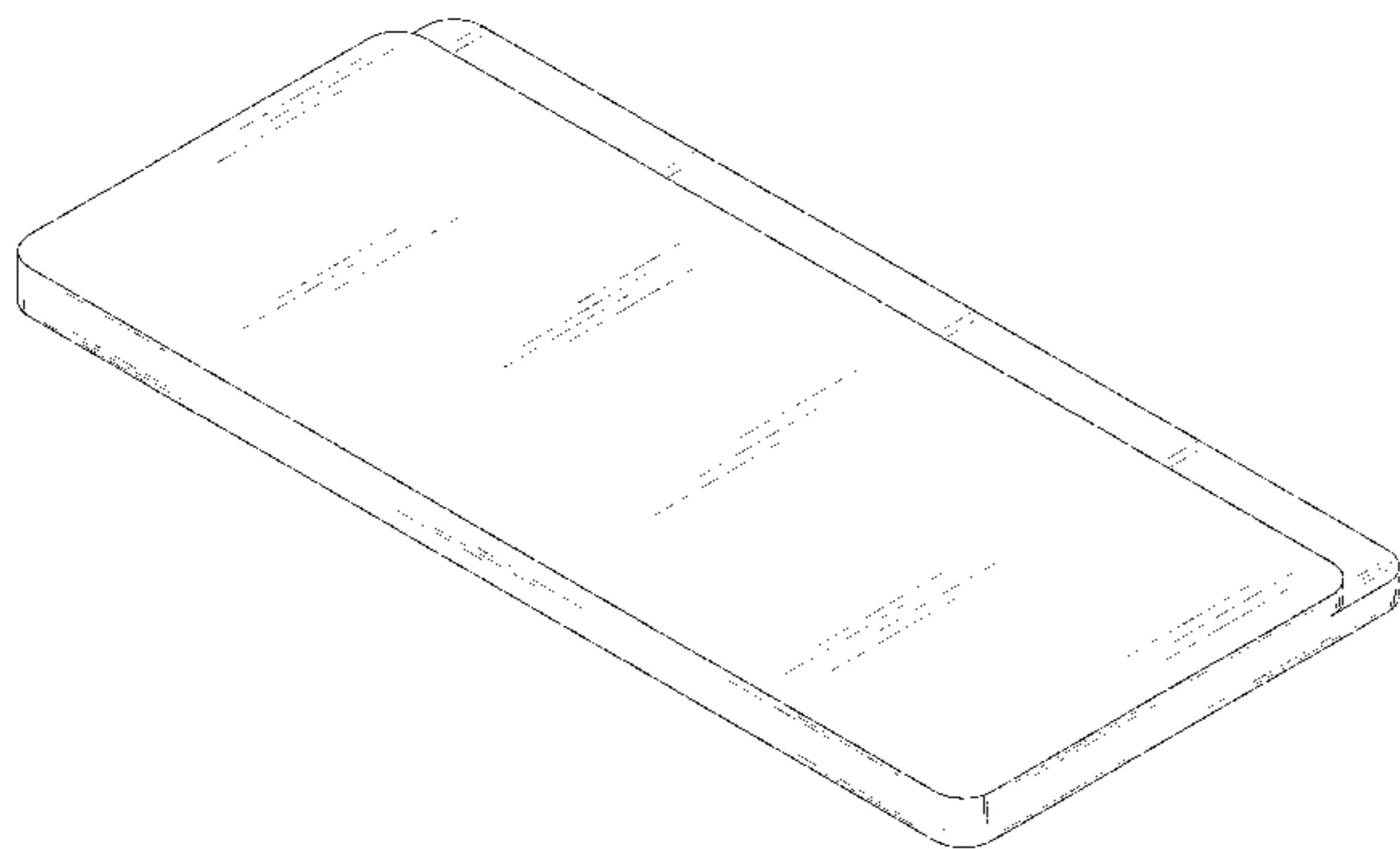
(57) **CLAIM**

The ornamental design for a keyboard wrist pad, as shown
and described.

DESCRIPTION

FIG. 1 is a front perspective view of a keyboard wrist pad;
FIG. 2 is a rear perspective view thereof;
FIG. 3 is a front elevational view thereof;
FIG. 4 is a rear elevational view thereof;
FIG. 5 is a right side elevational view thereof;
FIG. 6 is a left side elevational view thereof;
FIG. 7 is a top plan view thereof; and,
FIG. 8 is a bottom plan view thereof.

1 Claim, 8 Drawing Sheets



(56)

References Cited

U.S. PATENT DOCUMENTS

D811,484 S * 2/2018 Sumii D21/332
D819,018 S * 5/2018 Tsai D14/341
D820,842 S * 6/2018 Rosenberg D14/389
D831,133 S * 10/2018 Goldman D21/686
2011/0117418 A1 * 5/2011 Meintschel H01M 2/0207
429/153
2019/0082825 A1 * 3/2019 Webb A47B 21/0371

OTHER PUBLICATIONS

Keyboard Wrist Support, AliMed.com, [online], [site visited Jun. 7, 2019]. URL: <https://www.alimed.com/keyboard-wrist-support.html> (Year: 2019).*

Stepped Edge 2 European Oak Skirting Board, Boardland.co.uk., [online], [site visited Jun. 7, 2019]. URL: <https://boardland.co.uk/stepped-edge-2-european-oak-skirting-board> (Year: 2019).*

Stepped Small Primed Skirting Board, Ceskirting.co.uk, [online], [site visited Jun. 7, 2019]. URL: <https://www.ceskirting.co.uk/shop/skirting-board/stepped-small-skirting-board/> (Year: 2019).*

* cited by examiner

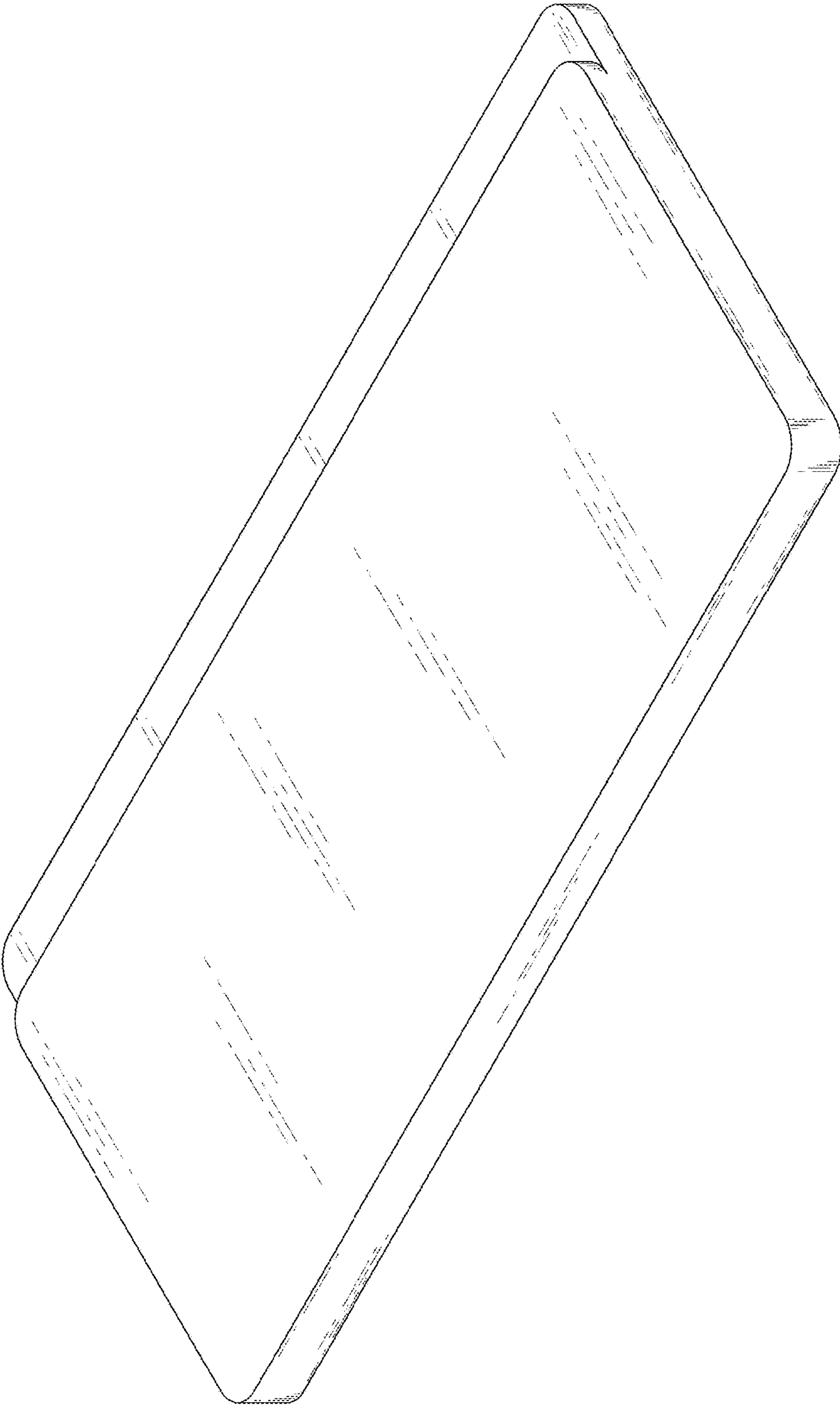


FIG. 1

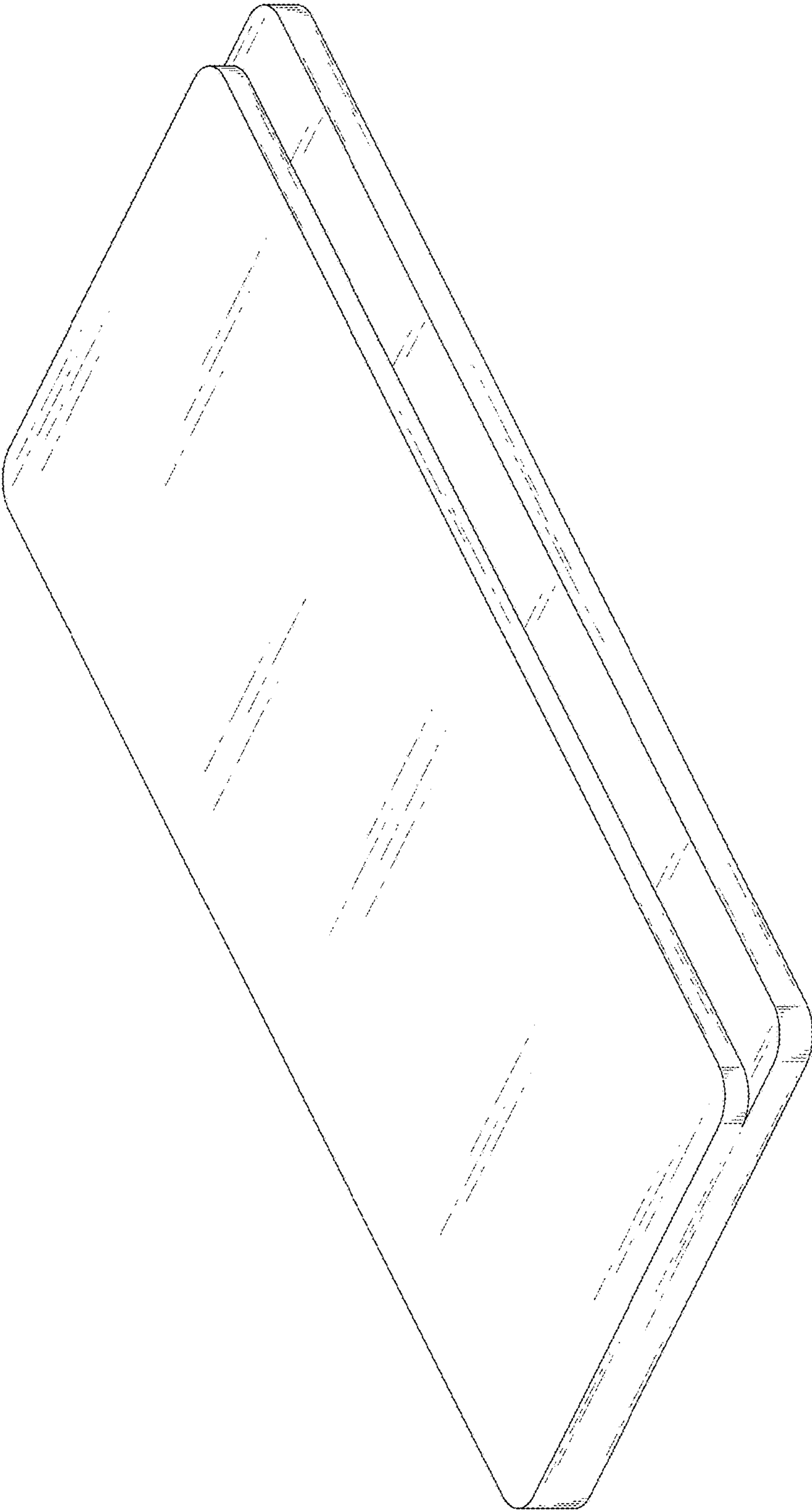


FIG. 2

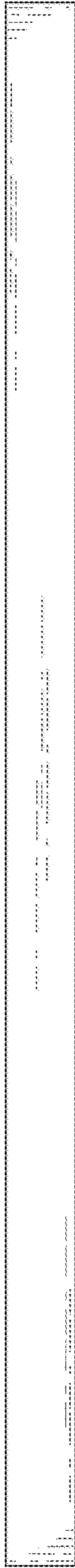


FIG. 3

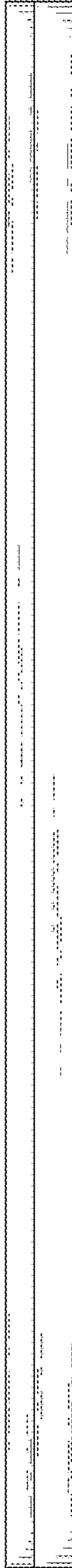


FIG. 4

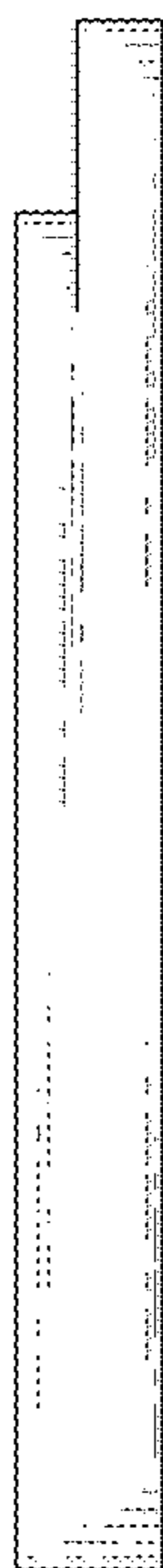


FIG. 5

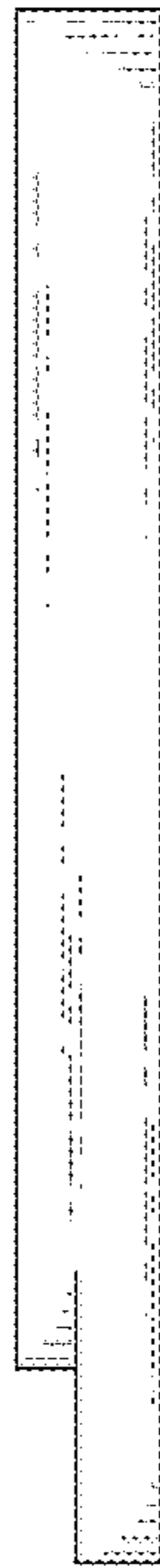


FIG. 6

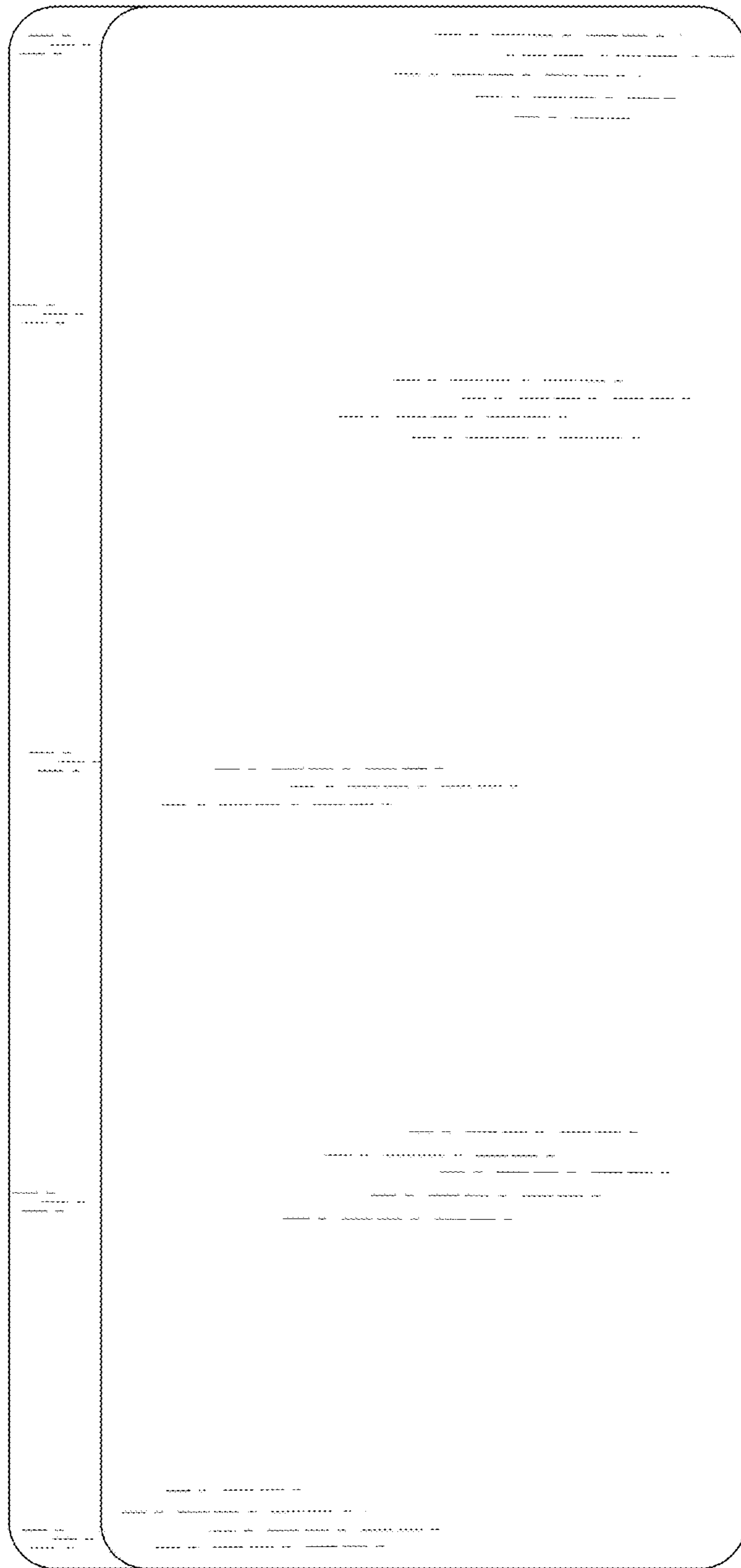


FIG. 7

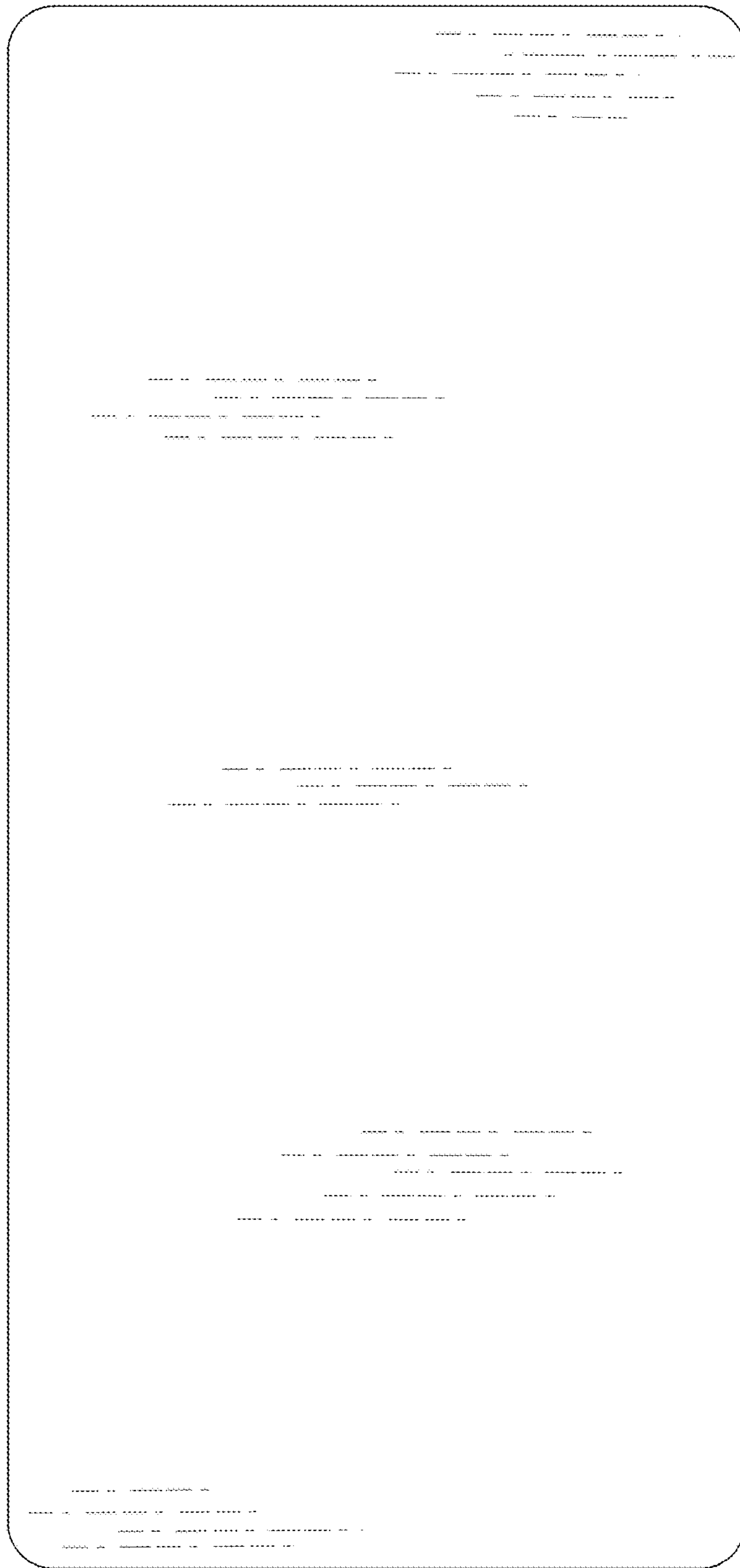


FIG. 8