



US00D861701S

(12) **United States Design Patent**
Benoni

(10) **Patent No.:** **US D861,701 S**

(45) **Date of Patent:** **** Oct. 1, 2019**

(54) **COMPUTER HOLDER**

(71) Applicant: **INTERACTIVE NET BUSINESS S.R.L.**, Verona (IT)

(72) Inventor: **Andrea Benoni**, Cavaion Veronese (IT)

(73) Assignee: **KATALYXER SRL**, Cavaion Veronese (IT)

(**) Term: **15 Years**

(21) Appl. No.: **29/656,903**

(22) Filed: **Jul. 17, 2018**

(30) **Foreign Application Priority Data**

Jan. 31, 2018 (EM) 004687713-0001

(51) **LOC (12) Cl.** **08-07**

(52) **U.S. Cl.**
USPC **D14/447**

(58) **Field of Classification Search**

USPC D14/447, 432, 434, 439, 440, 451, 452,
D14/457, 239, 250, 253, 203.7, 336, 337;
D8/363, 373, 380; D6/406.3, 406.4,
D6/406.5, 406.6; D12/415; D21/330,
D21/331; D3/218

CPC A47B 21/04; A47B 2097/006; A47B
2097/005; A47B 2023/049; A45C
2011/002; A45C 2011/003; F16M
2200/00; F16M 13/00

See application file for complete search history.

(56) **References Cited**

U.S. PATENT DOCUMENTS

D539,291 S * 3/2007 Li D14/447
D635,797 S * 4/2011 Xingyin D6/656.11

D677,262 S * 3/2013 Lewis D14/447
D678,296 S * 3/2013 Lakraa D14/447
D679,280 S * 4/2013 Lewis D14/447
D692,439 S * 10/2013 Muhlenberg D14/447
D704,195 S * 5/2014 Marquette D14/447
D704,714 S * 5/2014 Christiano D14/447
D723,311 S * 3/2015 Jiang D14/253
D772,883 S * 11/2016 Sun D14/447
D808,941 S * 1/2018 Lee D14/239
D829,216 S * 9/2018 Belitz D14/447
D833,448 S * 11/2018 Kilkenny D14/447

* cited by examiner

Primary Examiner — Angela J Lee

(74) *Attorney, Agent, or Firm* — Pearne & Gordon LLP

(57) **CLAIM**

The ornamental design for a computer holder, as shown and described.

DESCRIPTION

FIG. 1 is a perspective view of a computer holder, showing my new design;

FIG. 2 is a front elevational view thereof;

FIG. 3 is a back elevational view thereof;

FIG. 4 is a left side elevational view thereof;

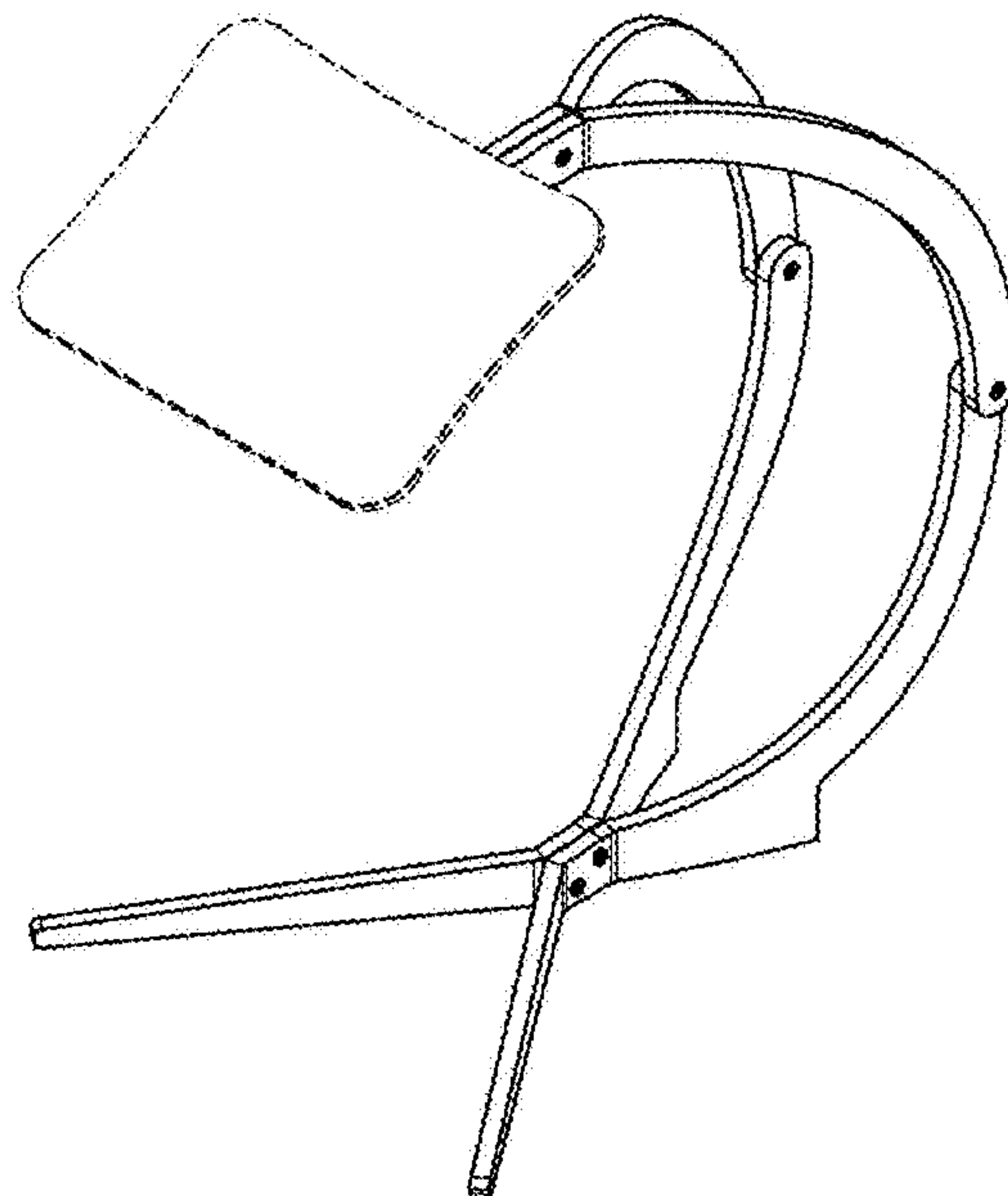
FIG. 5 is a right side elevational view thereof;

FIG. 6 is a top plan view thereof; and,

FIG. 7 is a bottom plan view thereof.

The broken lines in the drawings represent unclaimed subject matter and form no part of the claimed design.

1 Claim, 7 Drawing Sheets



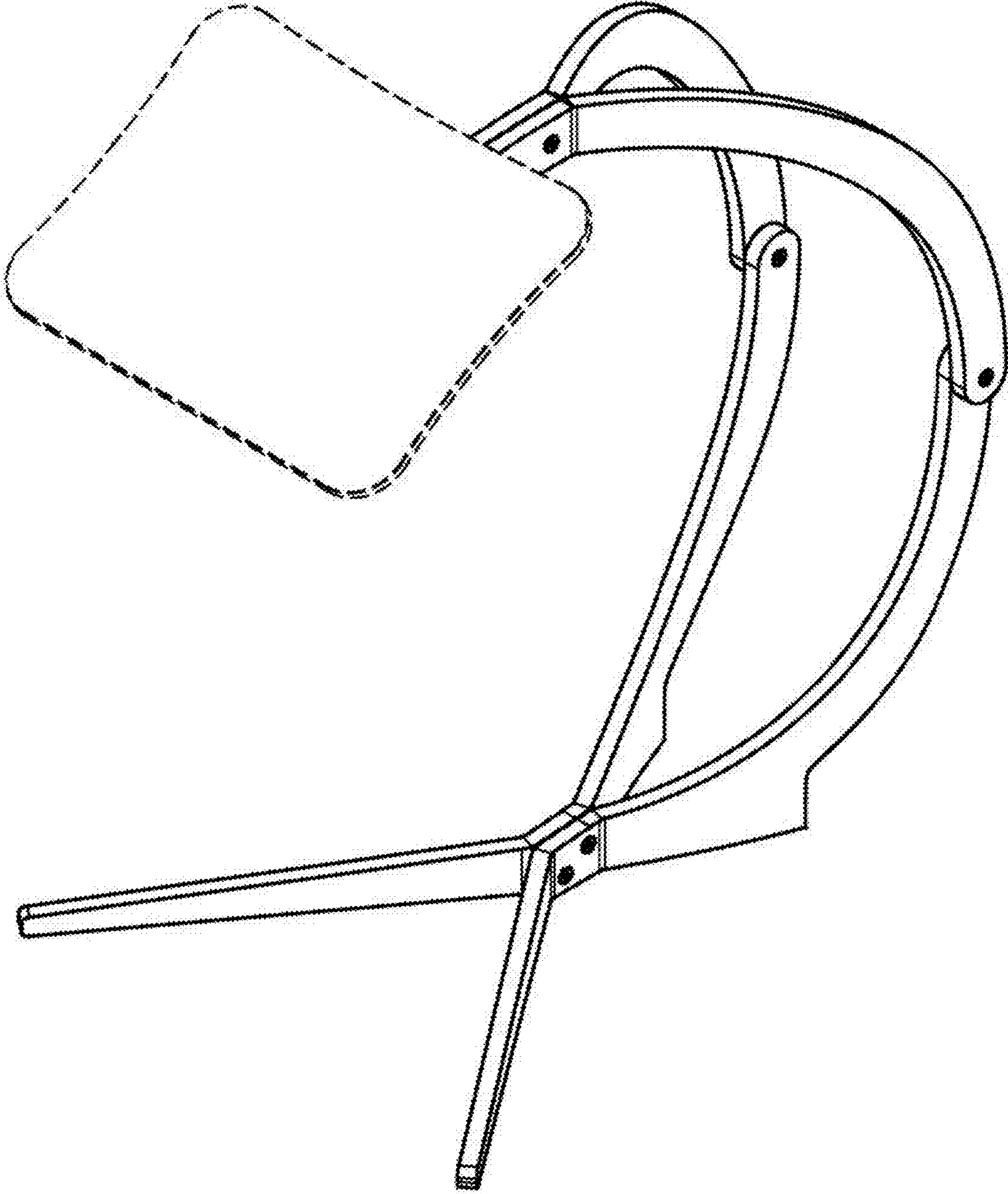


Fig. 1

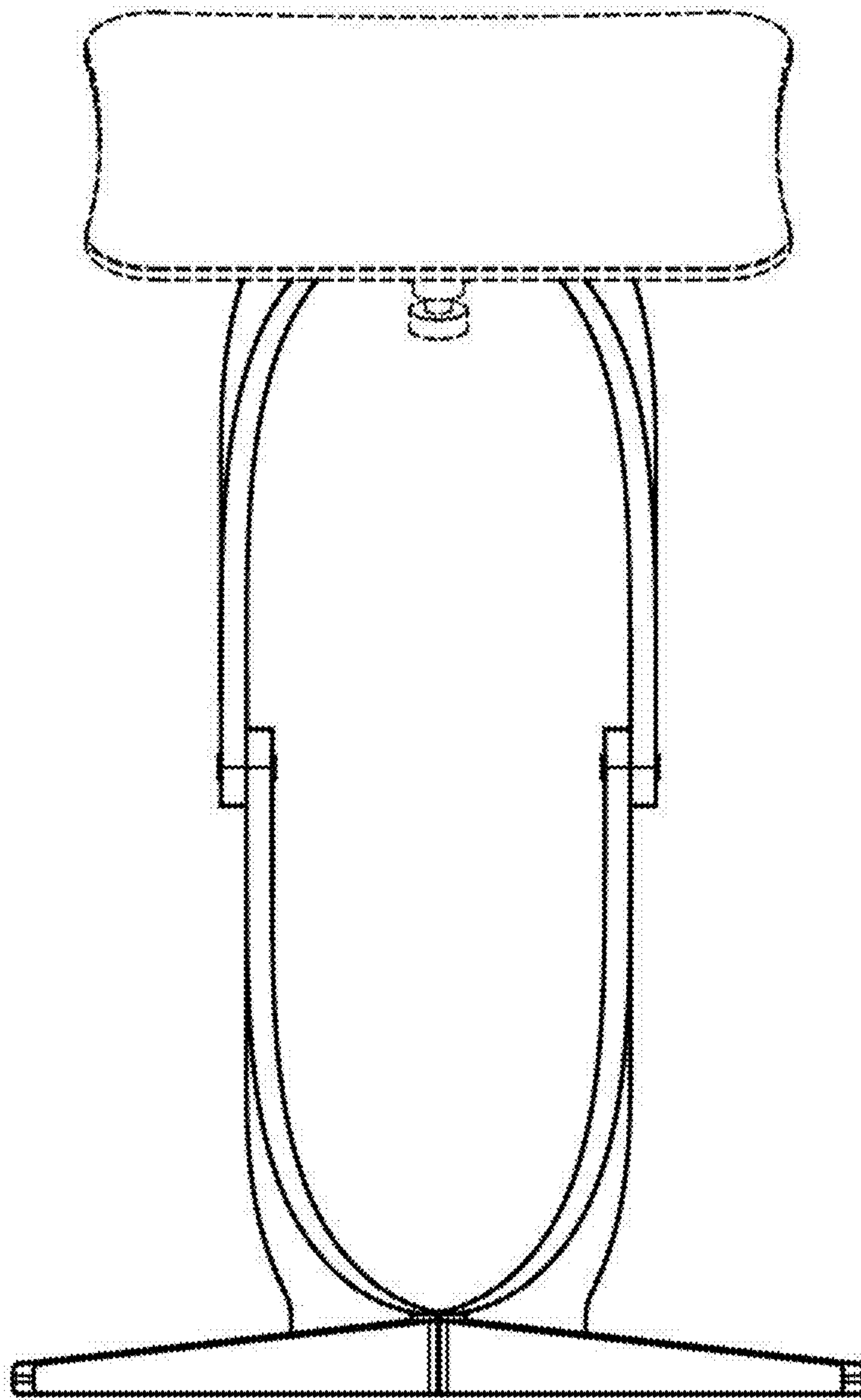


Fig. 2

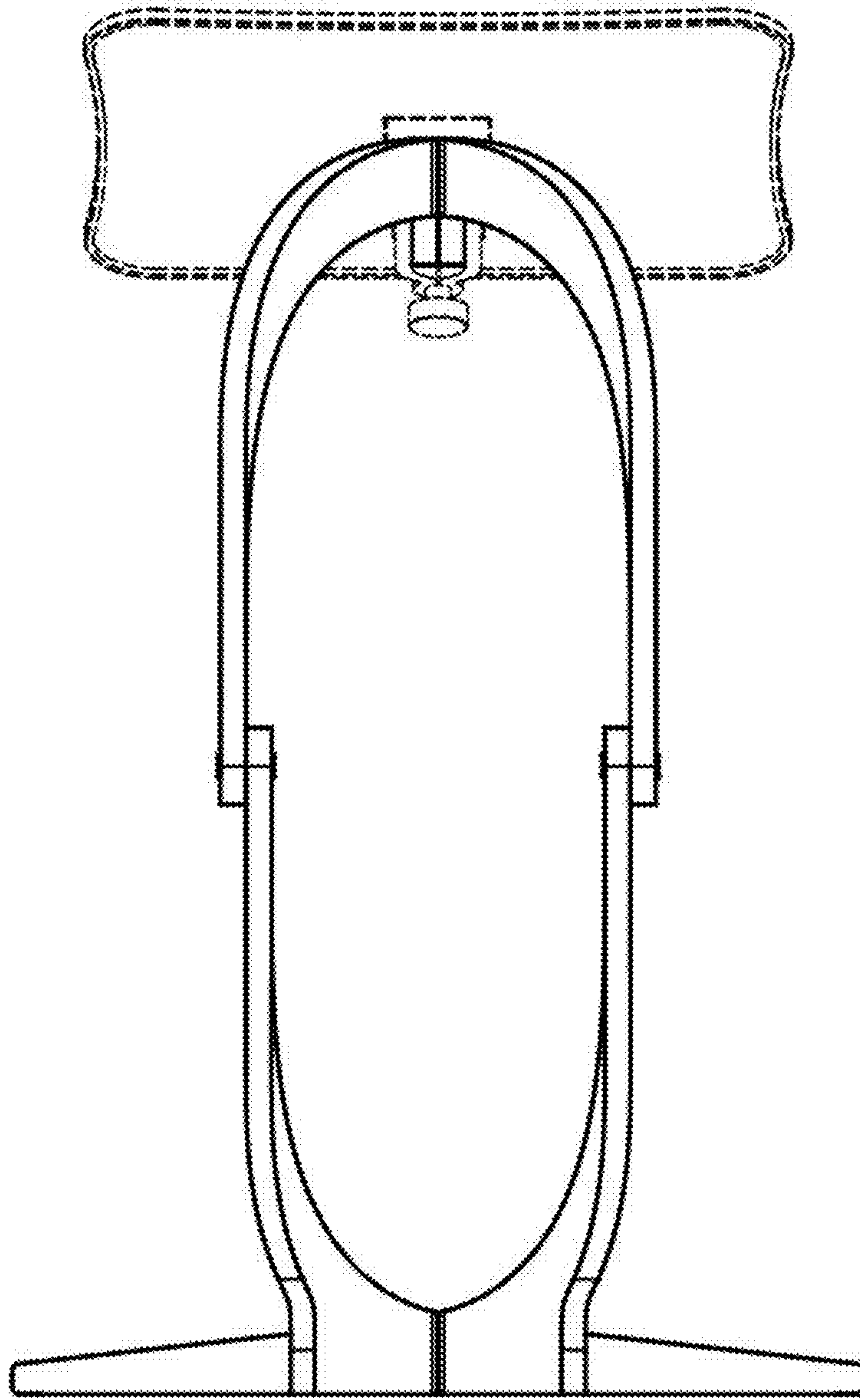


Fig. 3

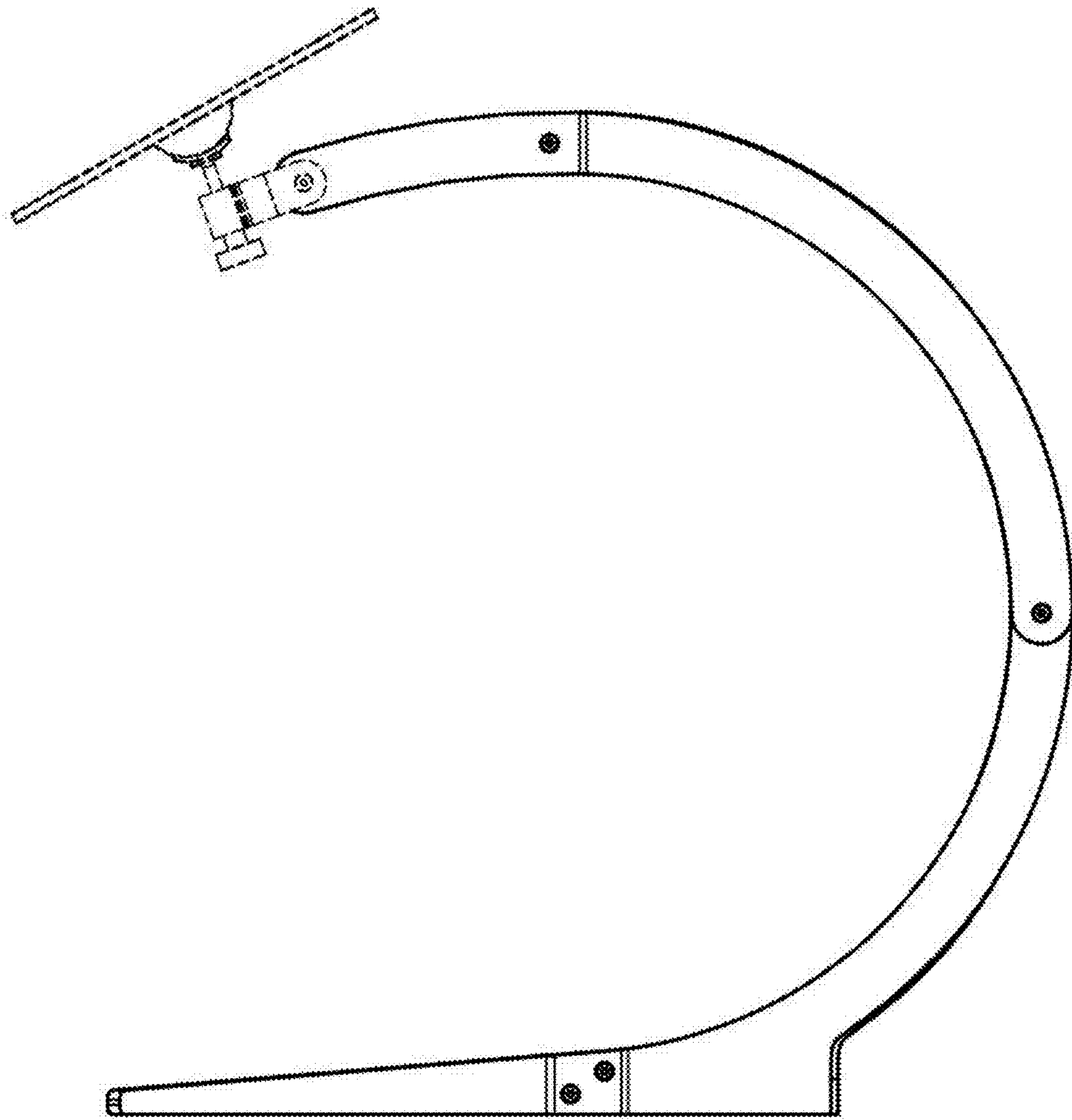


Fig. 4

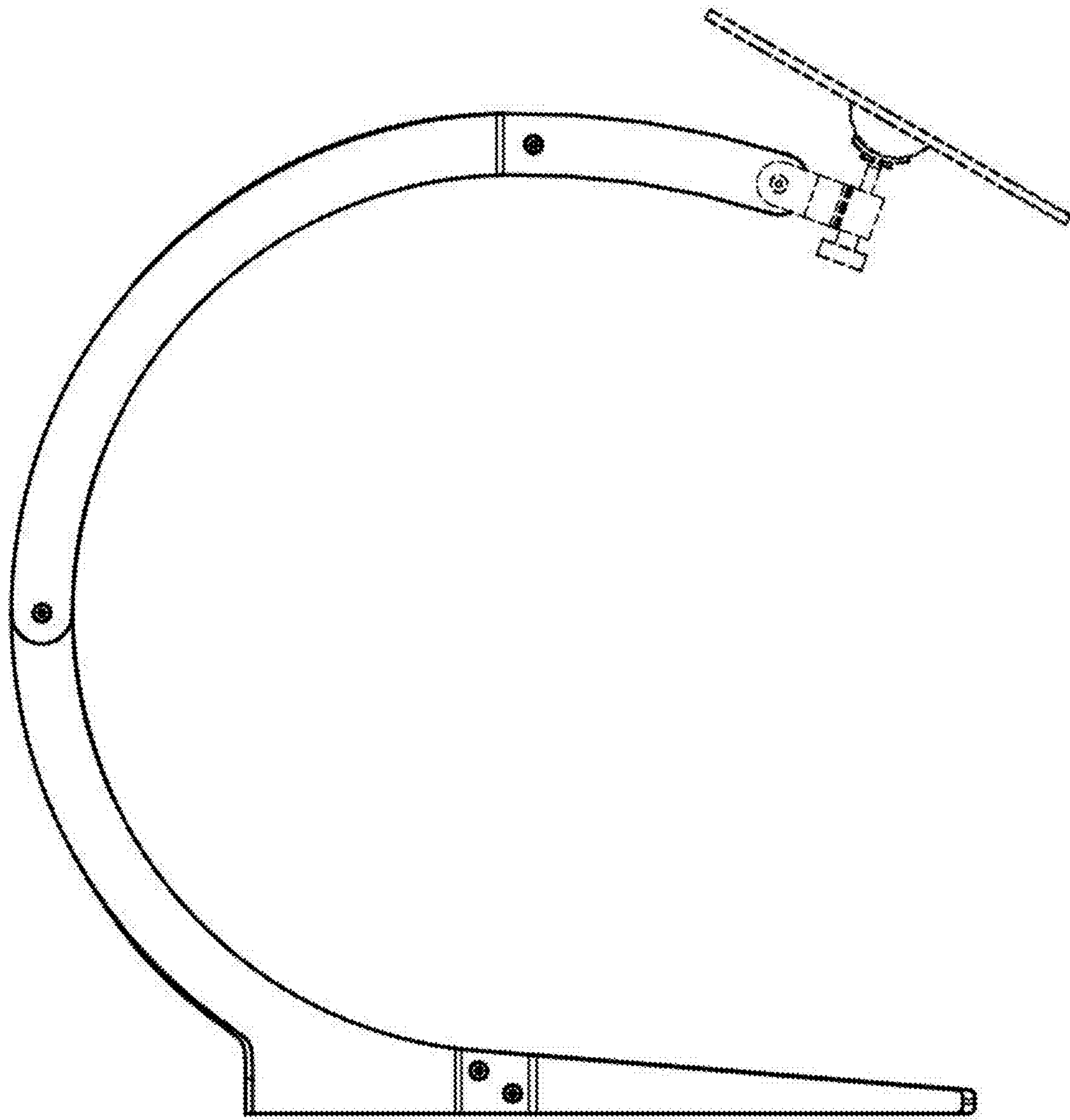


Fig. 5

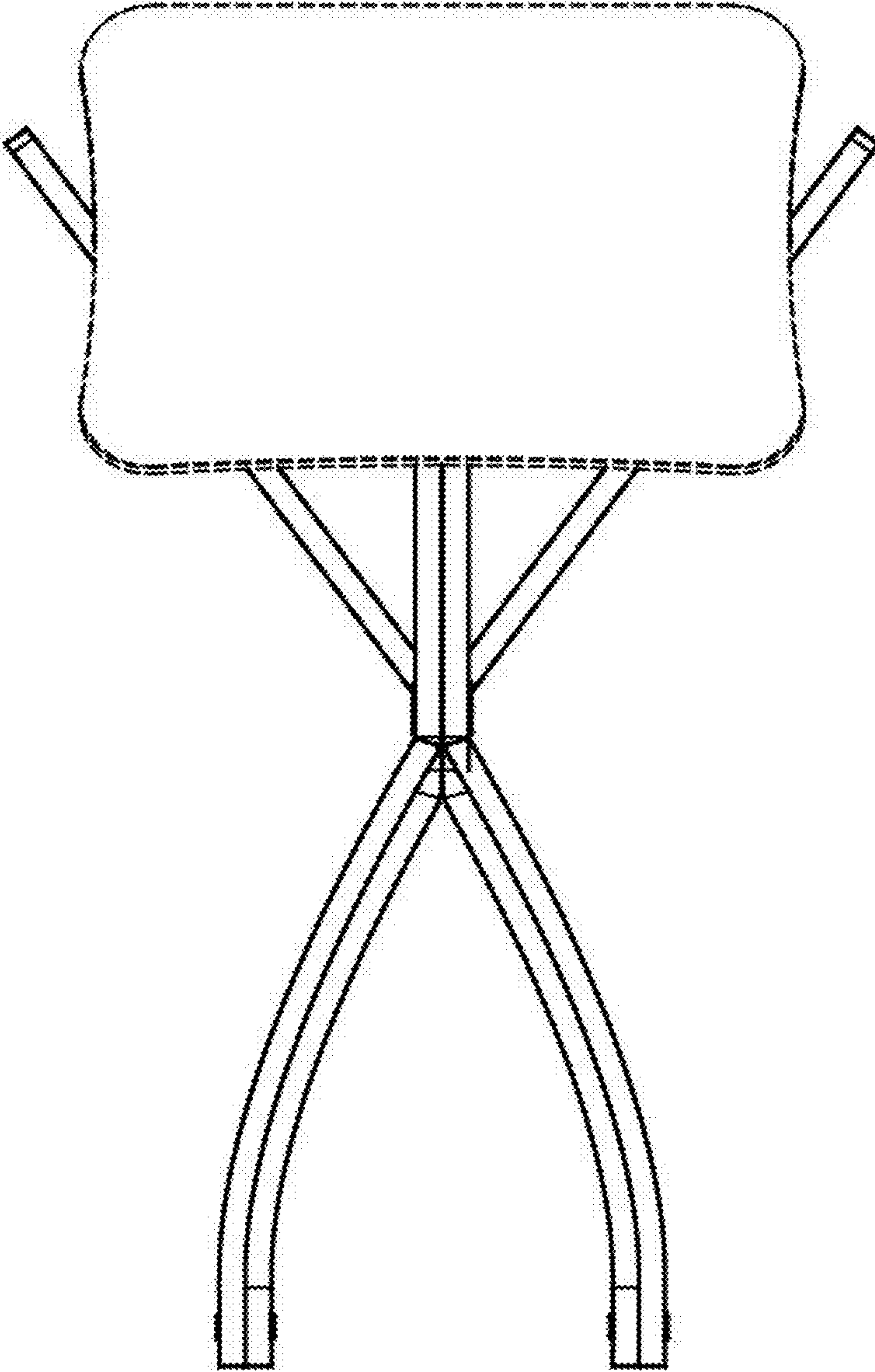


Fig. 6

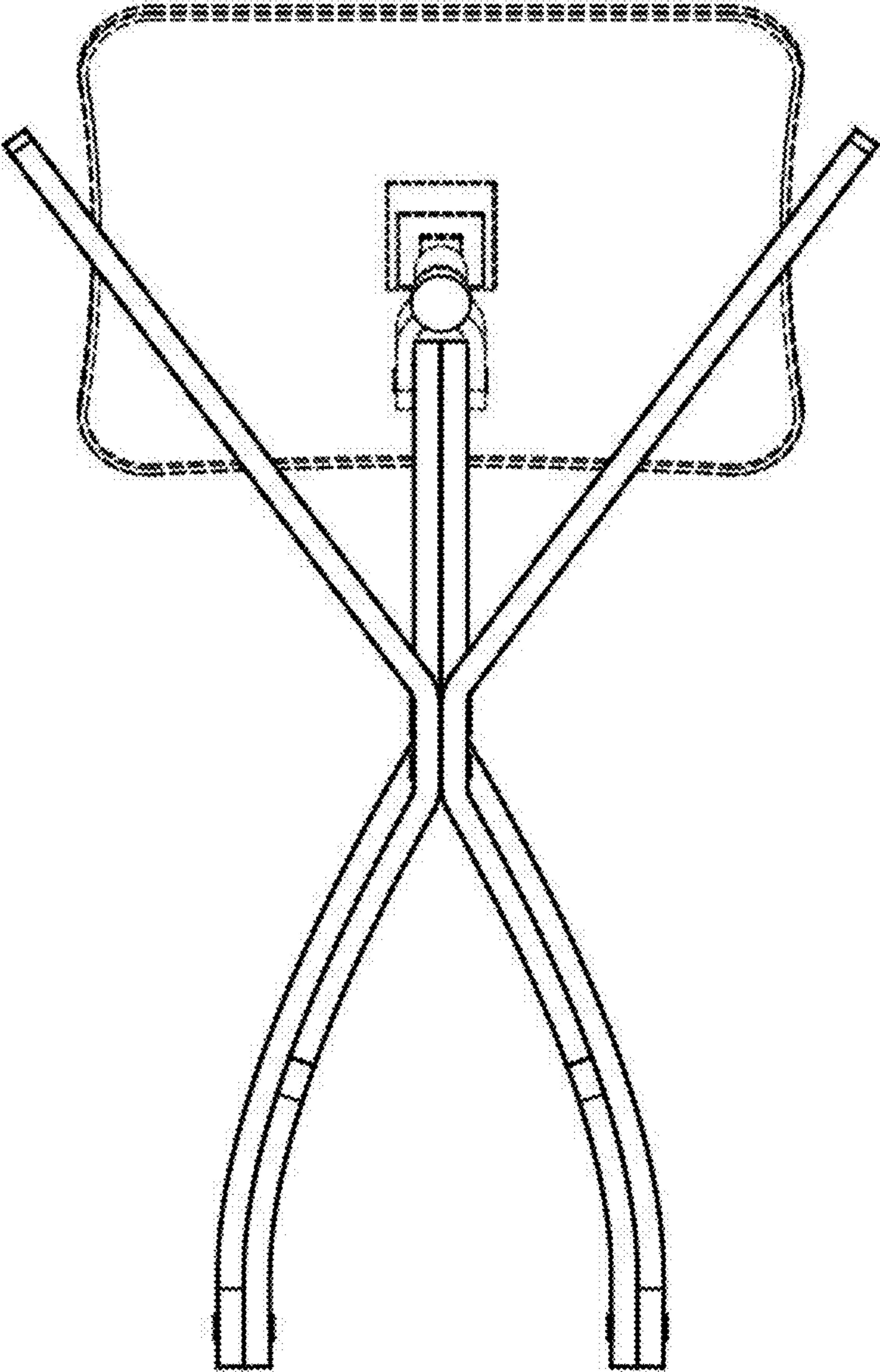


Fig. 7