



US00D861697S

(12) **United States Design Patent**  
**Gao**

(10) **Patent No.:** **US D861,697 S**  
(45) **Date of Patent:** **\*\* Oct. 1, 2019**

(54) **PROTECTIVE CASE FOR TABLET COMPUTER**

(71) Applicant: **Shenzhen Shuosai Innovation Technology Co., Ltd., Shenzhen (CN)**

(72) Inventor: **Bo Gao, Guangzhou (CN)**

(73) Assignee: **Shenzhen Shuosai Innovation Technology Co., Ltd., Shenzhen (CN)**

(\*\*) Term: **15 Years**

(21) Appl. No.: **29/689,207**

(22) Filed: **Apr. 29, 2019**

(51) **LOC (12) Cl.** ..... **14-02**

(52) **U.S. Cl.**  
USPC ..... **D14/439**

(58) **Field of Classification Search**  
USPC ..... D14/341–347, 424, 425, 432–453, 464, D14/468, 469, 471, 496, 511, 138 AA, D14/138 AD, 138 C, 138 G, 203.1–203.8, D14/217, 238.1, 248, 250, 257, 299; 361/679.01, 679.02, 679.03, 679.3, 361/679.55, 679.56; 455/550.1, 556.1, 455/556.2, 575.1, 575.3–575.5, 575.8, 455/90.3

CPC .... H04M 1/0277; H04M 1/0202; H04M 1/02; H04B 1/3838

See application file for complete search history.

(56) **References Cited**

**U.S. PATENT DOCUMENTS**

D573,597 S	*	7/2008	Shieh	.....	D14/439
D582,420 S	*	12/2008	Ohno	.....	D14/439
D594,009 S	*	6/2009	Nakano	.....	D14/315
D596,639 S	*	7/2009	Hirose	.....	D14/315
D671,947 S	*	12/2012	Akana	.....	D14/439
D677,665 S	*	3/2013	Akana	.....	D14/439

8,467,179 B2	*	6/2013	Probst	.....	G06F 1/1616 345/168
D692,428 S	*	10/2013	Janson	.....	D14/388
D708,186 S	*	7/2014	Akana	.....	D14/439
D718,767 S	*	12/2014	Akana	.....	D14/439
D734,757 S	*	7/2015	Myung	.....	D14/392
D734,758 S	*	7/2015	Myung	.....	D14/439
9,172,419 B2	*	10/2015	Su	.....	H04B 1/3888
D757,018 S	*	5/2016	Pearce	.....	
D781,862 S	*	3/2017	Sauvage	.....	D14/440
D793,465 S	*	8/2017	Kong	.....	D14/439
D795,264 S	*	8/2017	Wright	.....	D14/439
D814,475 S	*	4/2018	Jung	.....	D14/439
D821,405 S	*	6/2018	Chen	.....	
D825,570 S	*	8/2018	Akana	.....	D14/439
D826,235 S	*	8/2018	Akana	.....	D14/439

(Continued)

*Primary Examiner* — Austin Murphy

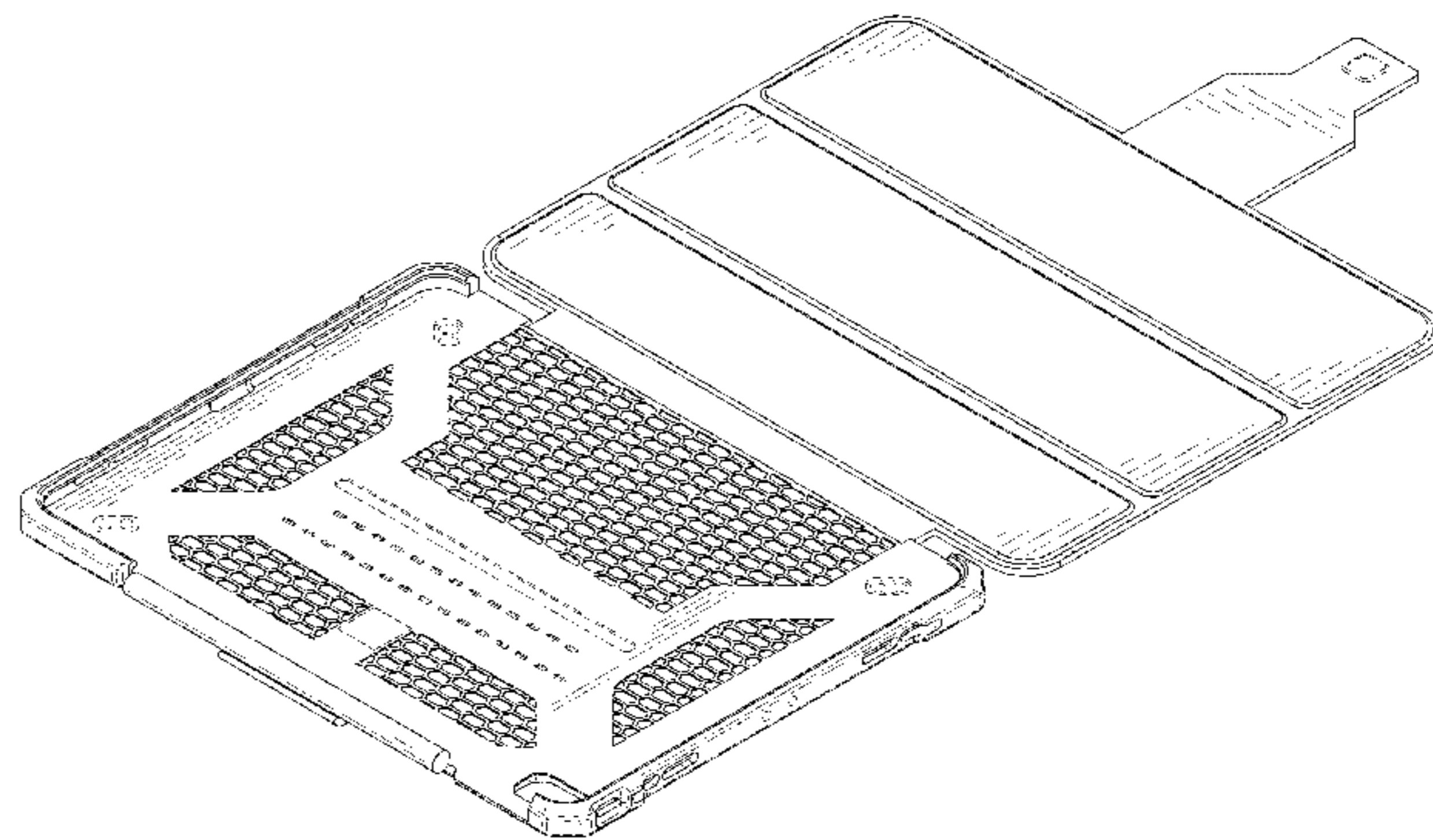
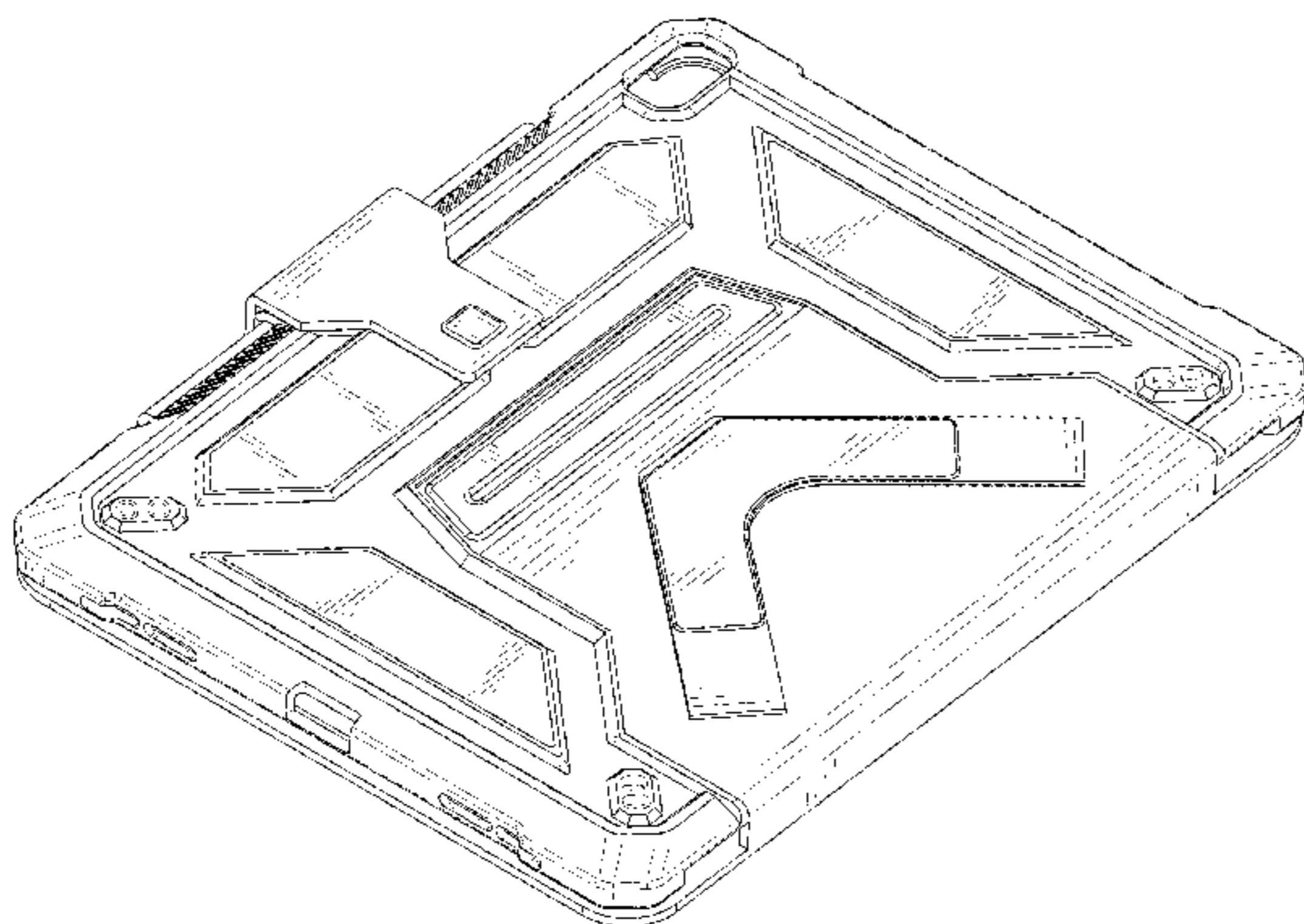
(57) **CLAIM**

The ornamental design for a protective case for tablet computer, as shown and described.

**DESCRIPTION**

FIG. 1 is a first perspective view of a protective case for tablet computer showing my design;  
 FIG. 2 is a second perspective view thereof;  
 FIG. 3 is a front view thereof;  
 FIG. 4 is a back view thereof;  
 FIG. 5 is a left side view thereof;  
 FIG. 6 is a right side view thereof;  
 FIG. 7 is a top view thereof;  
 FIG. 8 is a bottom view thereof;  
 FIG. 9 is a perspective view of another state of the protective case for tablet computer thereof; and,  
 FIG. 10 is a perspective view of further another state of the protective case for tablet computer thereof.  
 The broken lines shown in the drawings depict portions of the protective case for tablet computer in which the design is embodied that form no part of the claimed design.

**1 Claim, 10 Drawing Sheets**



(56)

**References Cited**

U.S. PATENT DOCUMENTS

D831,030 S \* 10/2018 Gao ..... D14/440  
D837,219 S \* 1/2019 Gao ..... D14/440  
D837,797 S 1/2019 Wright

\* cited by examiner

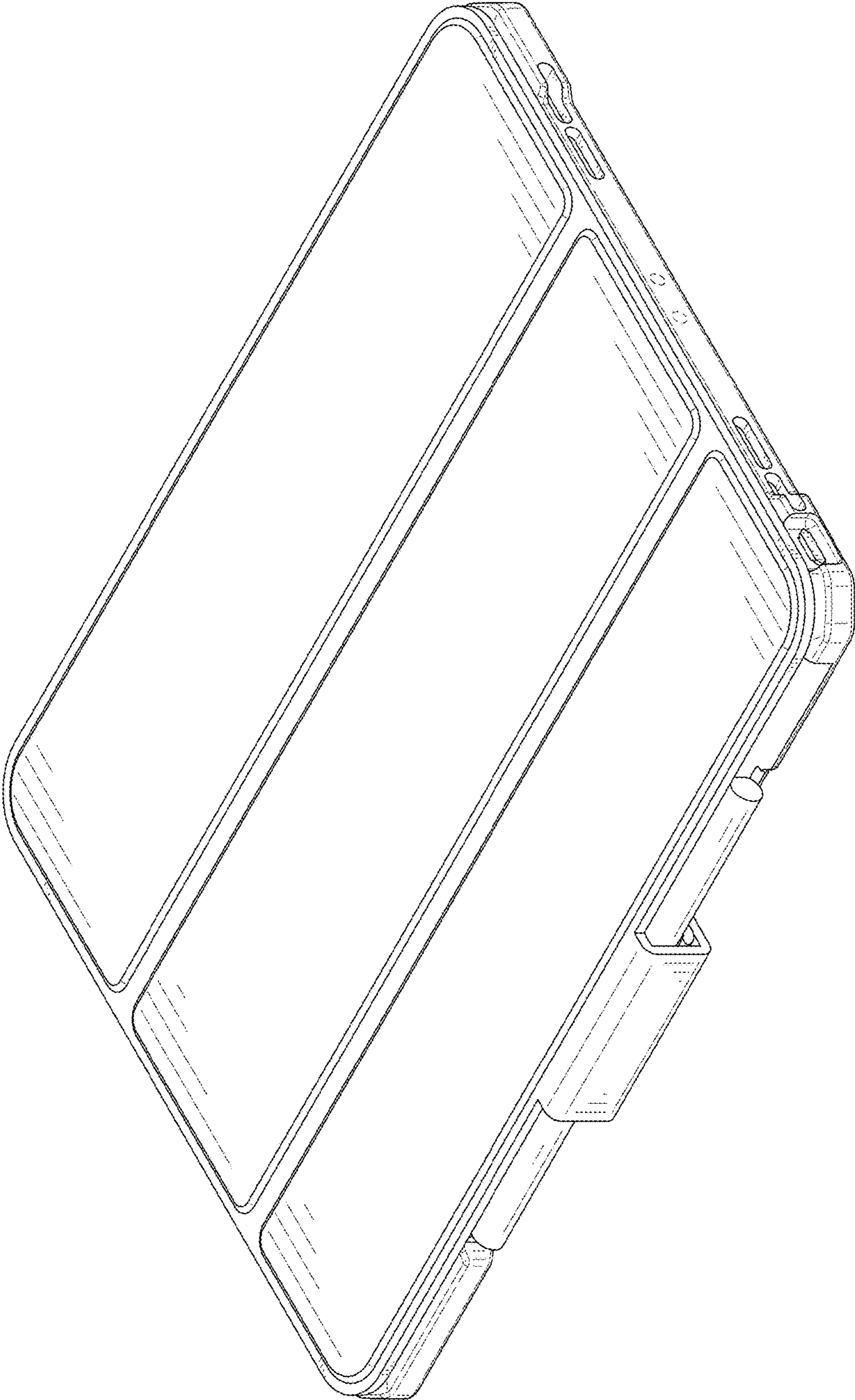


FIG. 1

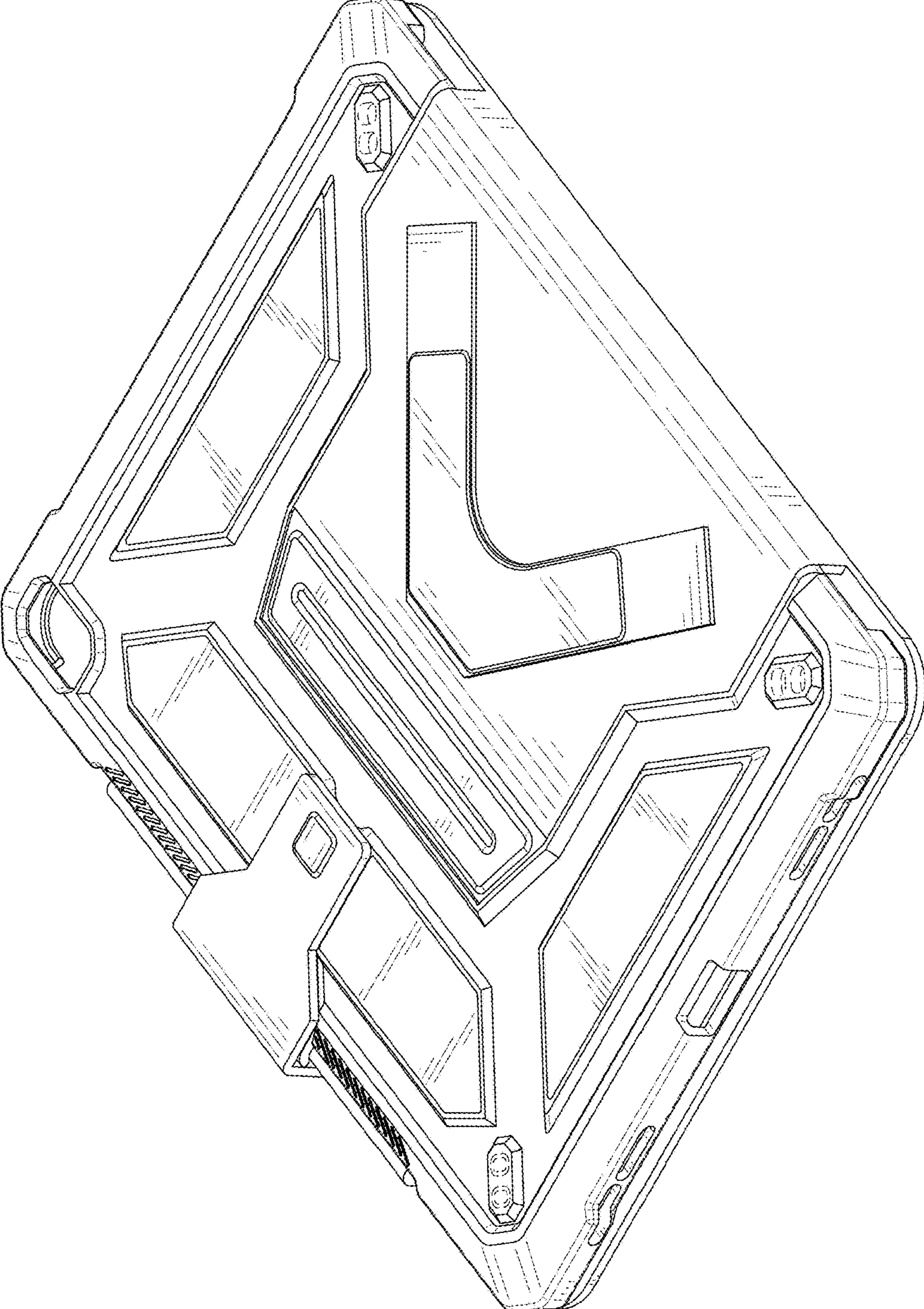


FIG. 2

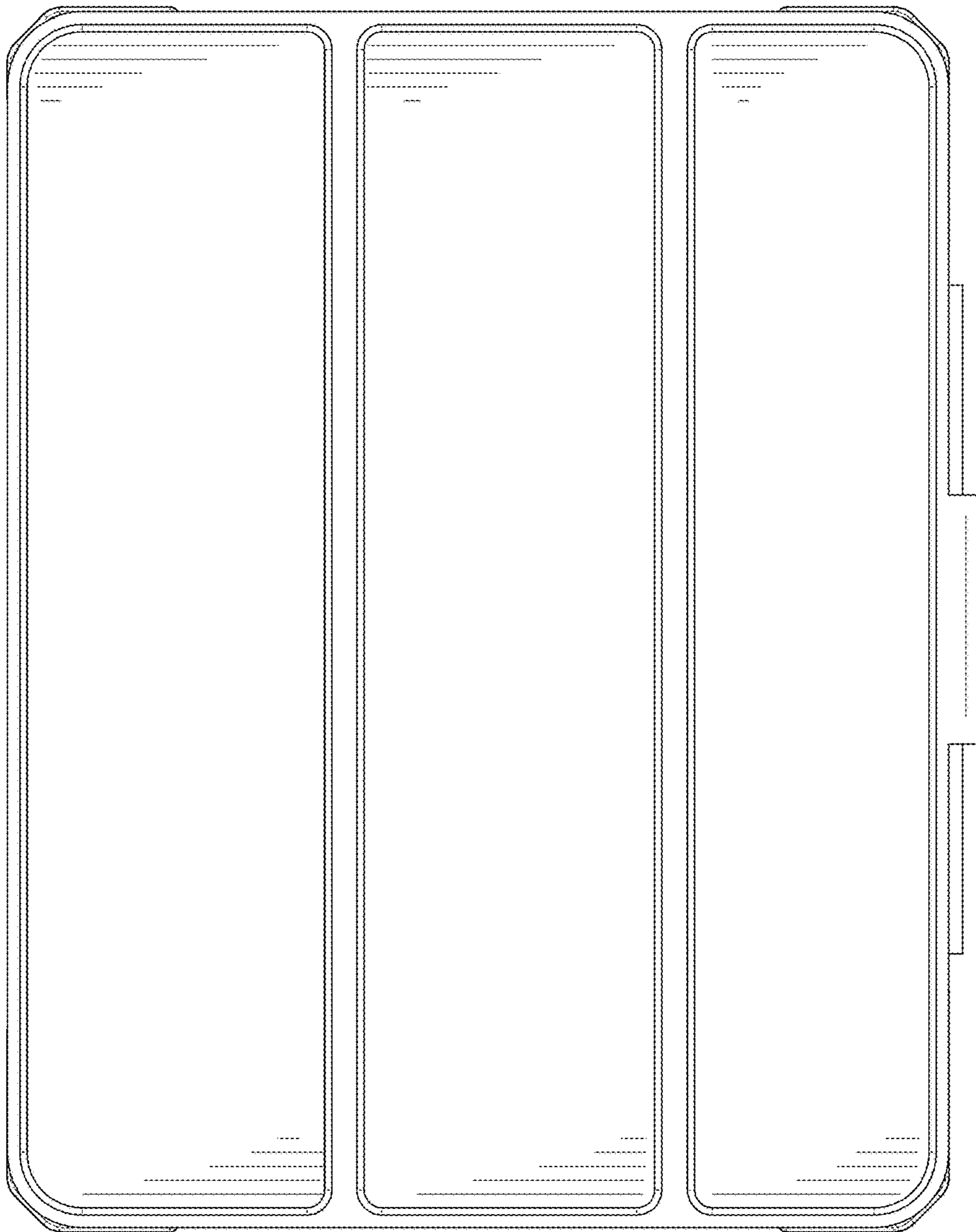


FIG. 3

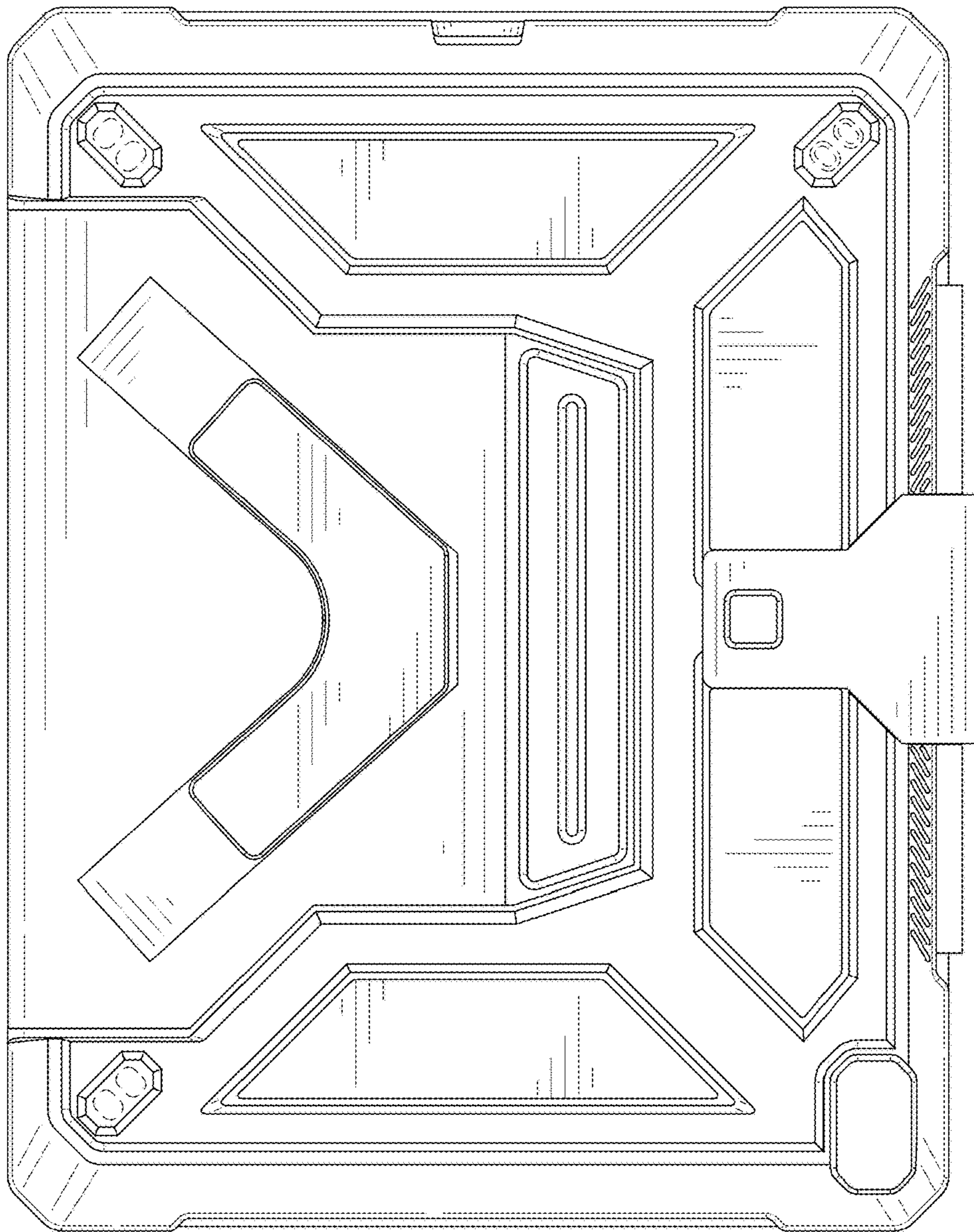


FIG. 4

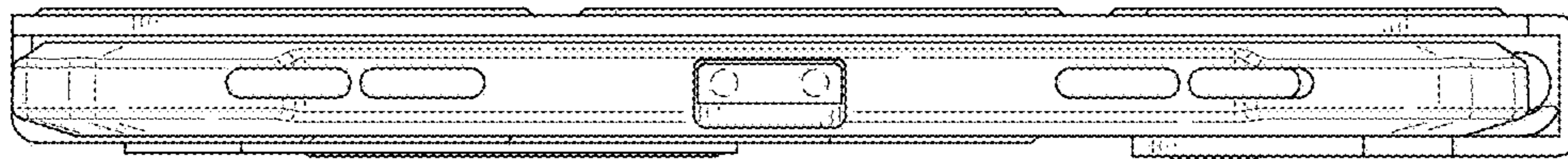


FIG. 5

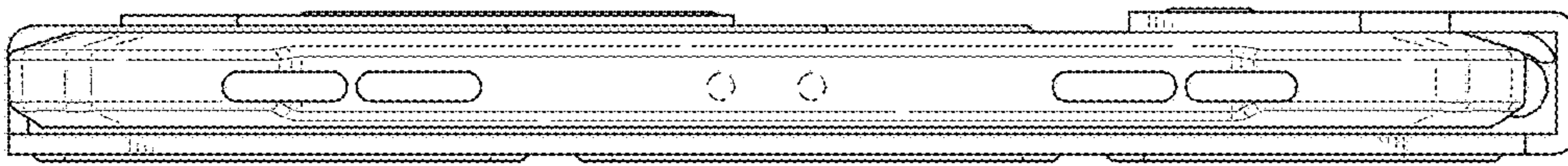


FIG. 6



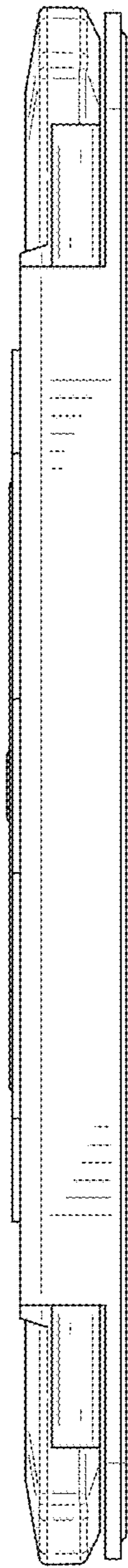


FIG. 7

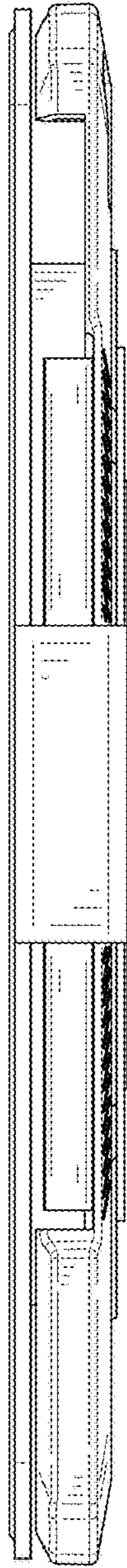


FIG. 8

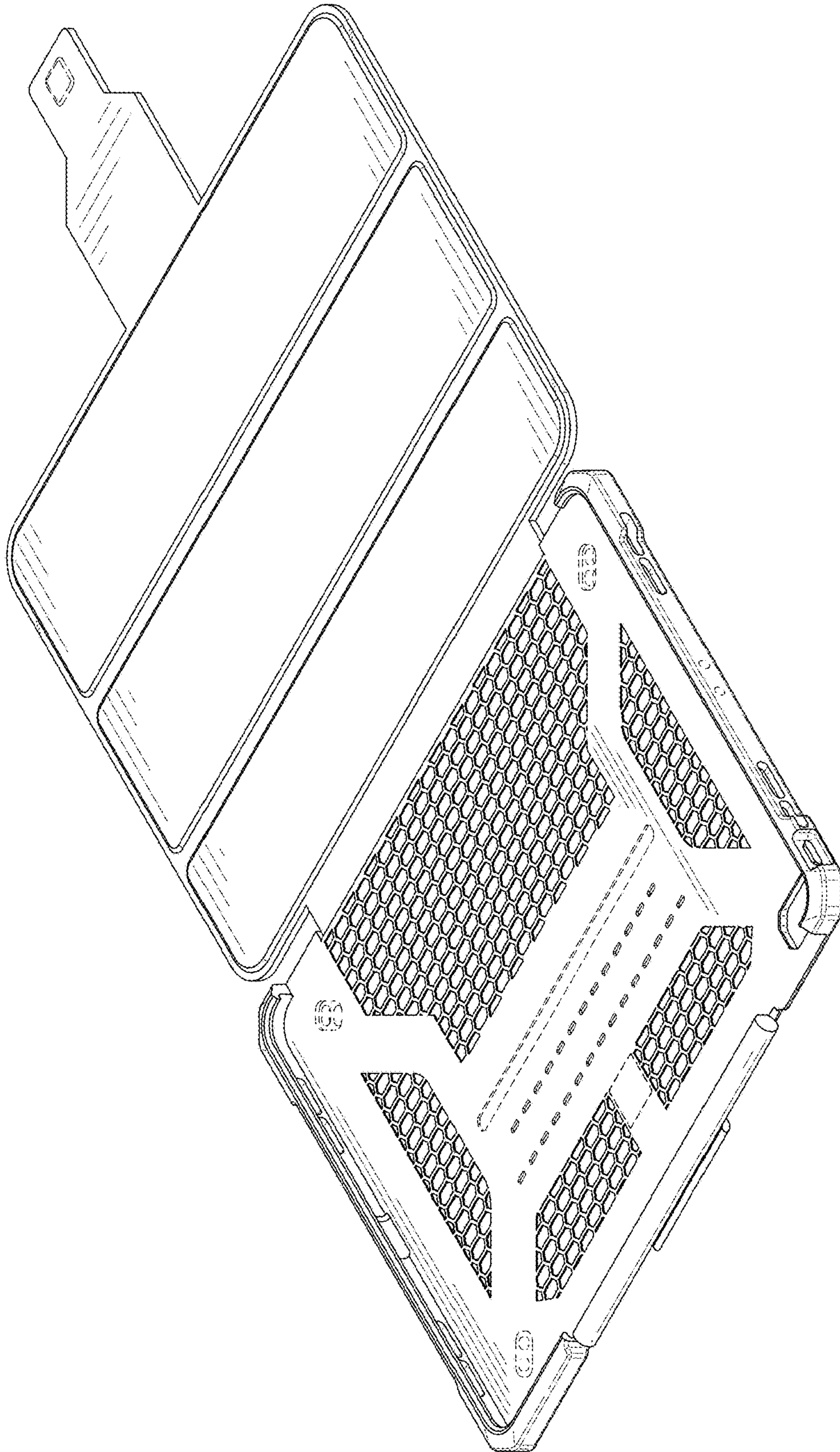


FIG. 9

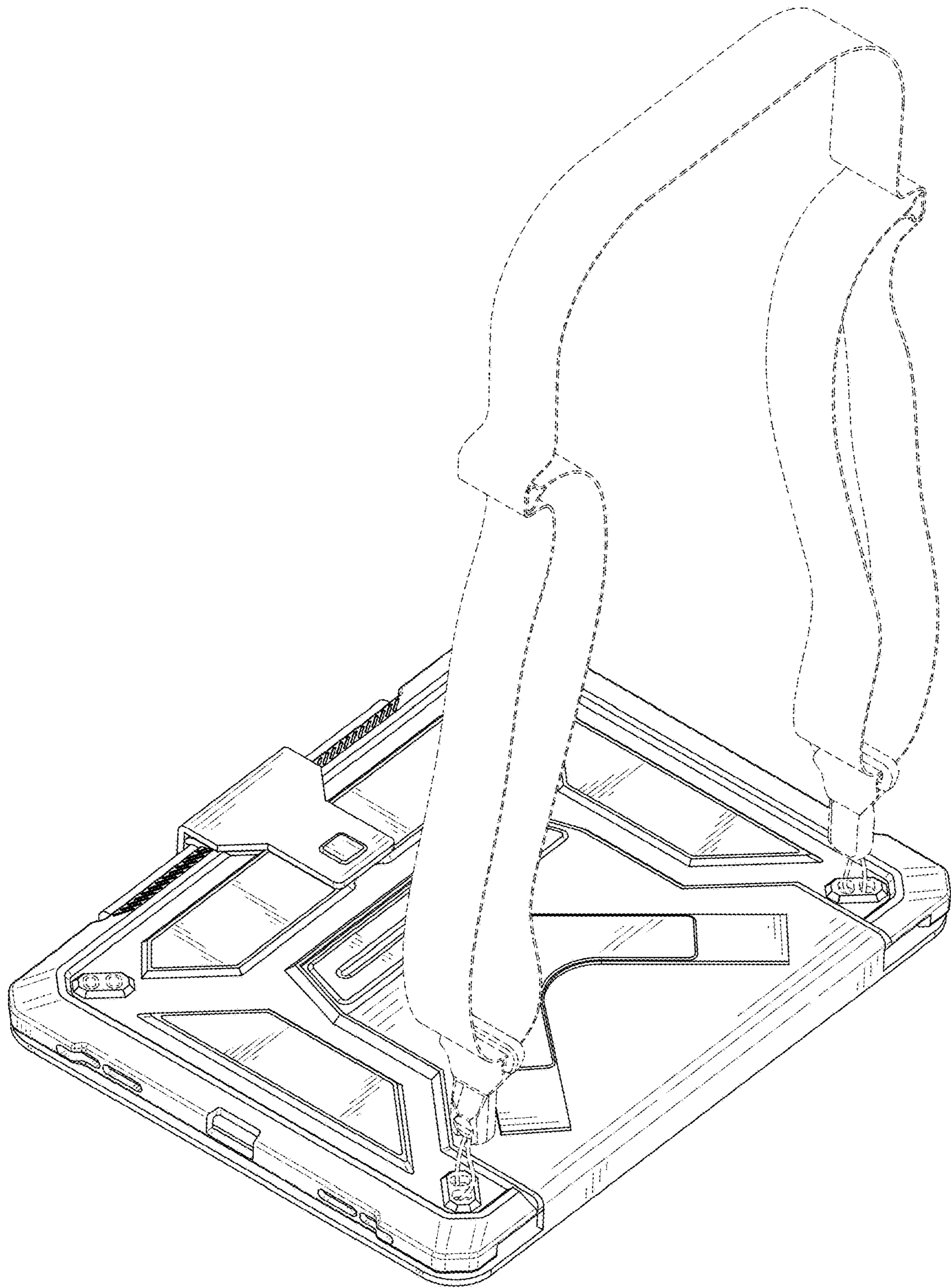


FIG. 10