



US00D861696S

(12) **United States Design Patent** (10) **Patent No.:** **US D861,696 S**  
**Gustaveson, II** (45) **Date of Patent:** **\*\* Oct. 1, 2019**

(54) **MIC BLOCK**  
(71) Applicant: **C-SLIDE HOLDINGS, LLC**, Lehi, UT (US)  
(72) Inventor: **Ronald Glen Gustaveson, II**, Lehi, UT (US)  
(73) Assignee: **C-SLIDE HOLDINGS, LLC**, Lehi, UT (US)

D342,262 S 12/1993 Hester  
D371,508 S 7/1996 Sagol  
D390,423 S 2/1998 Stivender  
(Continued)

**FOREIGN PATENT DOCUMENTS**

CN 201114394 9/2008  
CN 101980099 2/2011  
(Continued)

(\*\*) Term: **15 Years**  
(21) Appl. No.: **29/661,937**  
(22) Filed: **Aug. 31, 2018**

**OTHER PUBLICATIONS**

Notice of Allowance for U.S. Appl. No. 29/612,937 dated Nov. 23, 2018.  
(Continued)

**Related U.S. Application Data**

(63) Continuation of application No. 15/752,652, filed as application No. PCT/US2018/017483 on Feb. 8, 2018.  
(51) **LOC (12) Cl.** ..... **14-02**  
(52) **U.S. Cl.**  
USPC ..... **D14/439**  
(58) **Field of Classification Search**  
USPC .... D14/356, 432-434, 453, 454, 511, 203.8, D14/209.1, 238.1, 240, 125; 439/638, 439/928, 105, 502; 710/303, 304; 361/679.41, 679.55, 679.56; D13/110, D13/133, 146  
CPC ... H04L 12/2832; H04L 12/2838; G06F 3/00; G06F 5/00; G06F 13/14  
See application file for complete search history.

*Primary Examiner* — Austin Murphy  
(74) *Attorney, Agent, or Firm* — Workman Nydegger

(57) **CLAIM**

The ornamental design for a mic block, as shown and described.

**DESCRIPTION**

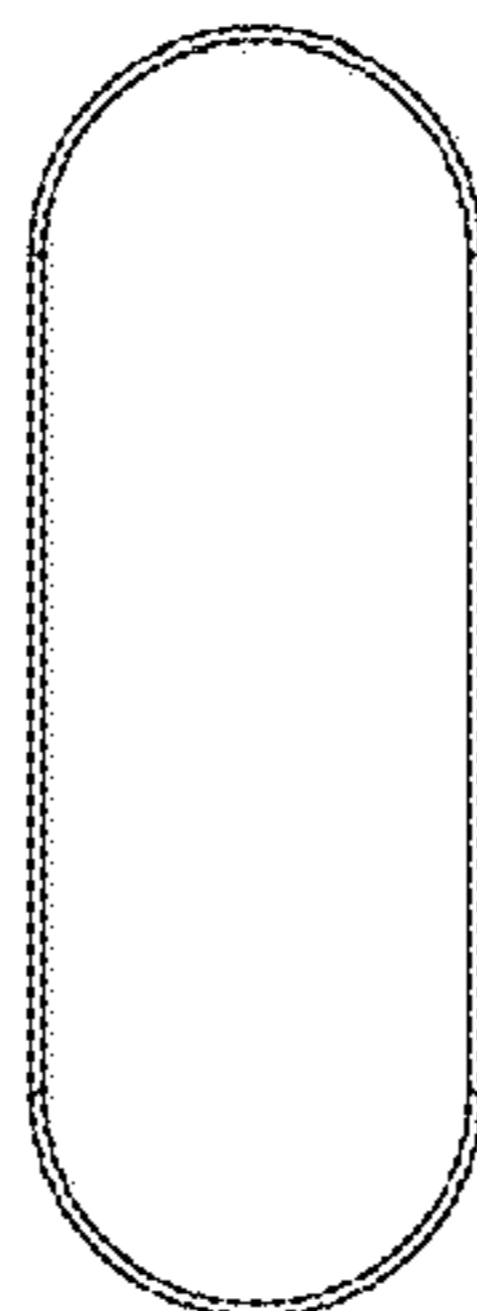
FIG. 1 is a front top right perspective view of the mic block; FIG. 2 is a rear top left perspective view thereof; FIG. 3 is a front elevational view thereof; FIG. 4 is a left elevation view thereof; FIG. 5 is a right elevation view thereof; FIG. 6 is a rear elevation view thereof; FIG. 7 is a top plan view thereof; FIG. 8 is a bottom plan view thereof; FIG. 9 is a perspective view of the mic block inserted into the mic port of a mobile device during use; and, FIG. 10 is an exploded view thereof.  
The broken lines shown in the drawings are included to illustrate environment portions of the mic block that form no part of the claimed design.

(56) **References Cited**

**U.S. PATENT DOCUMENTS**

D160,448 S \* 10/1950 Waite ..... D9/447  
D189,894 S 3/1961 Lang  
D219,714 S 1/1971 Crestin-Billet  
D261,236 S \* 10/1981 Williams ..... D9/435  
D273,227 S \* 3/1984 Wilkinson ..... D24/121

**1 Claim, 4 Drawing Sheets**



(56)

References Cited

U.S. PATENT DOCUMENTS

5,801,919 A 9/1998 Griencewic  
D405,050 S \* 2/1999 Lee ..... D13/133  
D425,540 S \* 5/2000 Hubbell ..... 396/426  
D435,547 S 12/2000 Reed  
6,224,268 B1 \* 5/2001 Manning ..... G02B 6/3893  
385/56  
6,406,313 B1 \* 6/2002 Victor ..... H01R 27/00  
439/175  
D464,329 S \* 10/2002 Mainiero ..... D13/169  
D475,348 S \* 6/2003 D'Addario ..... D13/133  
6,572,276 B1 \* 6/2003 Theis ..... G02B 6/387  
385/78  
D498,787 S 11/2004 Nelms  
6,812,958 B1 11/2004 Silvester  
D501,111 S 1/2005 Lan  
7,061,536 B2 6/2006 Cha  
D532,240 S 11/2006 Pressier  
D532,640 S 11/2006 Pressier  
7,239,806 B2 7/2007 Chen  
D550,159 S \* 9/2007 Kawanobe ..... D13/146  
7,431,983 B2 10/2008 Amano  
7,435,018 B2 10/2008 Huang  
7,438,486 B2 10/2008 Ho  
7,520,687 B2 4/2009 Tsai  
D592,596 S \* 5/2009 Kolton ..... D13/133  
7,563,040 B2 7/2009 Tsai  
7,581,893 B2 9/2009 Miramontes  
D611,333 S 3/2010 Sanders  
7,677,815 B2 3/2010 Garcia  
D628,774 S 12/2010 Sykes  
D633,507 S 3/2011 Nelson  
D638,526 S 5/2011 Newman  
7,964,259 B2 6/2011 Koshu  
7,973,856 B2 7/2011 Lee  
D643,457 S 8/2011 DeLong  
D645,022 S \* 9/2011 Lee ..... D13/154  
D650,408 S 12/2011 Kim  
D659,403 S 5/2012 Lerman  
8,242,924 B2 8/2012 Huang  
D669,112 S 10/2012 Gustaveson  
D672,312 S \* 12/2012 Lee ..... D13/133  
8,471,956 B2 6/2013 Fortman  
8,496,390 B2 7/2013 Ohuchi  
D702,637 S \* 4/2014 Rayner ..... D13/133  
D703,149 S \* 4/2014 Lee ..... D13/154  
D708,248 S 7/2014 Son  
D708,657 S 7/2014 Gustaveson  
8,780,205 B2 7/2014 Boutell  
D714,220 S \* 9/2014 Izen ..... D13/133  
D714,852 S 10/2014 Levesque  
D718,803 S 12/2014 Smith  
D720,382 S \* 12/2014 Szarawarski ..... D16/237  
D721,396 S 1/2015 Gustaveson  
D726,806 S 4/2015 Demars  
D727,848 S \* 4/2015 Burgett ..... D13/133  
D736,158 S \* 8/2015 Rayner ..... D13/133  
D737,217 S \* 8/2015 Leidolt ..... D13/153  
D740,773 S 10/2015 Bang  
9,197,850 B2 11/2015 Koberling  
D745,469 S \* 12/2015 Farnum ..... D13/156  
D749,555 S 2/2016 Poon  
9,305,538 B2 4/2016 Tyson  
9,307,129 B2 4/2016 Oh  
D755,720 S \* 5/2016 Dobler ..... D13/133  
D756,443 S 5/2016 Ju  
D759,644 S 6/2016 Penn  
D759,645 S 6/2016 Penn  
D760,677 S 7/2016 Tsushima  
D763,843 S 8/2016 Gustaveson  
D764,474 S 8/2016 Penn  
9,411,379 B2 8/2016 Rinner et al.  
9,465,276 B2 10/2016 Jonsson  
D782,562 S \* 3/2017 Gustaveson, II ..... D16/237  
9,829,770 B1 11/2017 Gustaveson  
9,854,142 B2 12/2017 Freeze

D807,947 S 1/2018 Gustaveson  
D808,457 S \* 1/2018 Gustaveson, II ..... D16/237  
D810,089 S 2/2018 Kuo  
D810,180 S \* 2/2018 Gustaveson, II ..... D16/237  
D816,149 S 4/2018 Dalton  
10,070,021 B1 9/2018 Rolle  
D836,154 S \* 12/2018 Gustaveson, II ..... D16/237  
D837,279 S \* 1/2019 Penn ..... D16/237  
D839,946 S \* 2/2019 De Vries ..... D16/237  
D849,123 S \* 5/2019 Gustaveson, II ..... D16/237  
2005/0068423 A1 3/2005 Bear et al.  
2007/0025725 A1 2/2007 Yen  
2007/0242948 A1 10/2007 Miramontes  
2008/0100713 A1 5/2008 Liu  
2009/0252487 A1 10/2009 Matsumoto  
2009/0284635 A1 11/2009 Sung  
2010/0102979 A1 4/2010 Huang  
2010/0166414 A1 7/2010 Zhang et al.  
2011/0051335 A1 3/2011 Han  
2011/0058255 A1 3/2011 Weiss  
2011/0115924 A1 5/2011 Yu  
2011/0182029 A1 7/2011 Wu  
2012/0229700 A1 9/2012 Hsiung  
2013/0088639 A1 4/2013 Mundt  
2014/0119718 A1 5/2014 Oh  
2014/0198439 A1 7/2014 De Pietro  
2014/0220269 A1 8/2014 Ogufere  
2015/0009399 A1 1/2015 Jonsson  
2015/0015777 A1 1/2015 Osbourne  
2015/0059251 A1 3/2015 Rinner  
2015/0163385 A1 6/2015 Haddad  
2015/0229746 A1 8/2015 Bergin  
2015/0311941 A1 10/2015 Sorrentino  
2015/0320167 A1 11/2015 Nguyen  
2016/0049979 A1 2/2016 Grouwstra  
2016/0088264 A1 3/2016 Freeze  
2016/0105598 A1 4/2016 Zeira  
2016/0142594 A1 5/2016 Luttrell  
2016/0161830 A1 6/2016 Gonzalez  
2016/0323491 A1 11/2016 Al Marzouqi  
2017/0146795 A1 5/2017 Pahlitzsch  
2017/0329206 A1 11/2017 Perkey  
2018/0059510 A1 3/2018 Gustaveson  
2018/0123631 A1 5/2018 Hessabi  
2018/0140196 A1 5/2018 Khosravi Simchi

FOREIGN PATENT DOCUMENTS

EP 003566330-0001 1/2017  
ES 1076643 4/2012  
ES 1077518 8/2012  
JP 2001309003 11/2001  
JP 2003289358 10/2003  
JP 2004055630 2/2004  
JP 2004072436 3/2004  
JP 2004275434 10/2004  
JP 2004309964 11/2004  
JP 2005227445 8/2005  
JP 2005275074 10/2005  
JP 2005323049 11/2005  
JP 2005345576 12/2005  
JP 2009271407 11/2009  
JP 2010210936 9/2010  
KR 20040070899 8/2004  
KR 20050015787 2/2005  
KR 200405362 1/2006  
KR 100640798 10/2006  
KR 20060106527 10/2006  
KR 20100003957 4/2010  
WO WO2009137600 11/2009

OTHER PUBLICATIONS

Non-Final Office Action for U.S. Appl. No. 29/634,481 dated Nov. 29, 2018.  
Notice of Allowance for U.S. Appl. No. 29/385,909 dated Aug. 29, 2012.

(56)

## References Cited

## OTHER PUBLICATIONS

“<http://webcamcovers.blogspot.com/2012/09/c-slide-webcam-cover-patent-reeives.html> Company Release: Sep. 18, 2012 Retrieved on: Feb. 26, 2014”.

“[http://www.amazon.com/Webcam-Cover-Laptops-Pad-Devices/dp/B004ZOXS6Y6/ref=sr\\_1\\_2?s=electronics&ie=UTF8&qid=1393520771&sr=1-2&keywords=webcam+covers](http://www.amazon.com/Webcam-Cover-Laptops-Pad-Devices/dp/B004ZOXS6Y6/ref=sr_1_2?s=electronics&ie=UTF8&qid=1393520771&sr=1-2&keywords=webcam+covers) Available on Amazon beginning May 3, 2011 Retrieved on: Feb. 26, 2014”.

“[http://www.ebay.com/itm/Webcam-Cover-also-known-as-webcam-shutter-webcam-shutter-fits-all-laptops-/160917145450#ht\\_2076wt\\_1358](http://www.ebay.com/itm/Webcam-Cover-also-known-as-webcam-shutter-webcam-shutter-fits-all-laptops-/160917145450#ht_2076wt_1358) On E-Bay beginning Jan. 26, 2012 Retrieved on: Feb. 26, 2014”.

Notice of Allowance for U.S. Appl. No. 29/433,900 dated Mar. 10, 2014.

Ex Parte Quayle Action for U.S. Appl. No. 29/473,247 dated Aug. 5, 2014.

Notice of Allowance for U.S. Appl. No. 29/520,343 dated Jun. 29, 2016.

Notice of Allowance for U.S. Appl. No. 29/548,560 dated Nov. 17, 2016.

Webcam Cover Black. [online] Published date unknown. Retrieved on Oct. 28, 2016 from <URL:<http://thewebcamcovers.com/shop/webcamcover-black/>>.

Restriction Requirement in U.S. Appl. No. 29/564,477 dated May 16, 2017.

PM: Webcam-Cover des Start-ups Privoo ab Juli im Handel. [online] published date Apr. 24, 2017. Retrieved on Apr. 29, 2017 from <URL:<http://unternehmen-heute.de/news.php?newsid=426363>>.

Swivel Webcam Cover silver.[online] published date unknown. Retrieved on Apr. 29, 2017 from ,URL:<http://www.intraco.nl/en/verkoop-andere-producten/swivel-webcam-cover-silver/>>.

Early Spyslide 1-Pack Indiegogo Price. [online] published date unknown. Retrieved on Apr. 29, 2017 from <URL:<https://spyfy.com/product/spyslide-webcam-cover-1-pack-indiegogo/?lang=en>>.

Office Action in U.S. Appl. No. 15/433,151 dated Jul. 11, 2017.

Ex Parte Quayle Action for U.S. Appl. No. 29/585,474 dated Jul. 13, 2017.

Ex Parte Quayle Action for U.S. Appl. No. 29/567,669 dated Jul. 12, 2017.

Webcamcover 2.0 black. [online] Oublished date unknown. Retrieved on Jun. 12, 2017 from <URL:<https://thewebcamcovers.com/product/webcamcover-2-0-black/>>.

“Screen Cleaner Pad for Mobile Phones AllAccessories”, Publish Date: Sep. 12, 2011, Access Date: Sep. 26, 2017 from <<https://www.youtube.com/watch?v=7TFo1-ceBUw>>.

“DigiClean Plus Microfiber Screen Cleaners”, Publish Date: Aug. 30, 2011, Access Date: Sep. 26, 2017, from <<https://www.youtube.com/watch?v=LWFp8Z-fzA>>.

“DigiClean Plus Mobile Phone Screen Cleaner / Wipe Stickers”, Publish Date: Jun. 29, 2012, Access Date: Sep. 26, 2017, from <<https://www.youtube.com/watch?v=EHK9UWFUGa0>>.

Promotional Peep Black Webcam Cover for Smartphones. Online, published date unknown. Retrieved on Feb. 22, 2018 from URL: <http://www.promo-brand.co.uk/products/technology-and-gadgets/computer-accessories/147-Promotional%20Peep%20Black%20Webcam%20Cover/promotional-peep-black-webcam-cover-for-smartphones-tablets-and-law>.

Webcam cover—Heart. Online, published date unknown. Retrieved on Feb. 22, 2018 from URL: <http://www.colormotion.hk/-colormotion-household-webcam-covers/1152-webcam-cover-heart.html>.

Restriction Requirement for U.S. Appl. No. 29/596,617 dated Apr. 2, 2018.

Non-Final Office Action for U.S. Appl. No. 15/806,033 dated May 15, 2018.

Notice of Allowance for U.S. Appl. No. 29/661,937 dated Nov. 15, 2018.

Non-Final Office Action for U.S. Appl. No. 15/806,033 dated Dec. 4, 2018.

Non-Final Office Action for U.S. Appl. No. 29/634,480 dated Jan. 4, 2019.

My MIC Audio Block—Blocks Audio Hacking on Computers, Tablets and Smart Phones, Easy Carry Key Chain. Amazon [online] MySpyBlocker [retrieved Jun. 12, 2019] <URL:[https://www.amazon.com/My-MIC-Audio-Blocker-Computers/dp/B07CZ12WKL/ref=sr\\_1\\_4?ie=UTF8&qid=1545861541&sr=8-4&keywords=mic+block](https://www.amazon.com/My-MIC-Audio-Blocker-Computers/dp/B07CZ12WKL/ref=sr_1_4?ie=UTF8&qid=1545861541&sr=8-4&keywords=mic+block)>.

Mic-Lock Microphone Blocker (5 Pack)—Signal Blocking device (3.5mm) for Laptops, Smartphones, Tablets, and Desktop Computers—Data Security, Privacy Protection, Counter Surveillance Equipment. Amazon [online]. Mic-Lock [retrieved Jun. 12, 2019] <URL: [https://www.amazon.com/Mic-Lock-Microphone-Blocker-Pack-Surveillance/dp/B076CSLB5H/ref=sr\\_1\\_3?ie=UTF8&qid=1545861541&sr=8-3&keywords=mic+block](https://www.amazon.com/Mic-Lock-Microphone-Blocker-Pack-Surveillance/dp/B076CSLB5H/ref=sr_1_3?ie=UTF8&qid=1545861541&sr=8-3&keywords=mic+block)>.

Laptop Camera Cover Protection Webcam Cover Slide+Mic Lock Sound Blocker Anti-Eavesdropping for Latop Macbook iPad Desktop Computer PC iPhone Cellphone-Protect Your Privacy Security Strong Adhesive. Amazon [online]. Luckyiren [retrieved Jun. 12, 2019] <URL: [https://www.amazon.com/Protection-Anti-Eavesdropping-Macbook-Computer-Cellphone-Protect/dp/B07FMMVGGM/ref=sr\\_1\\_6?ie=UTF8&qid=1545861541&sr=8-6&keywords=mic+block](https://www.amazon.com/Protection-Anti-Eavesdropping-Macbook-Computer-Cellphone-Protect/dp/B07FMMVGGM/ref=sr_1_6?ie=UTF8&qid=1545861541&sr=8-6&keywords=mic+block)>.

UKCOCO MIC Audio Blocker, 3 Pack Metal Blocks Audio Hacking on Computers, Tablets and Smart Phones. Amazon [online] UKCOCO [retrieved Jun. 12, 2019] <URL: [https://www.amazon.com/UKCOCO-Blocker-Hacking-Computers-Tablets/dp/B07JZ3JVWY/ref=sr\\_1\\_14?ie=UTF8&qid=1545861541&sr=8-14&keywords=mic+block](https://www.amazon.com/UKCOCO-Blocker-Hacking-Computers-Tablets/dp/B07JZ3JVWY/ref=sr_1_14?ie=UTF8&qid=1545861541&sr=8-14&keywords=mic+block)>.

Mic-Lock with SOUNDPASS Microphone Blocker (1 Pack)—Signal Blocking Device 3.5mm for Laptops, Smartphones & Desktop Computers Security, Privacy, Counter-Surveillance—Hear Music No Eavesdropping. Amazon [Online]. Mic Lock [retrieved Jun. 12, 2019] <URL: <https://www.amazon.com/Mic-Lock-GEN2-Microphone-Blocker-Pack/dp/B07H4WGLPN/ref=UTF8&qid=1545861541&sr=8-19&keywords=mic+block>>.

Hemoblllo 2Pcs MIC Audio Blocker Metal Blocks Audio Hacking on Computers, Tablets and Smart Phones. Amazon [online] Hemoblllo [retrieved Jun. 12, 2019] <URL: [https://www.amazon.com/Hemoblllo-Blocker-Hacking-Computers-Tablets/dp/B07JZ93KN2/ref=sr\\_1\\_15?ie=UTF8&qid=1545861541&sr=8-7&keywords=mic+block](https://www.amazon.com/Hemoblllo-Blocker-Hacking-Computers-Tablets/dp/B07JZ93KN2/ref=sr_1_15?ie=UTF8&qid=1545861541&sr=8-7&keywords=mic+block)>.

sunshot Sounds Blocker Anti-eavesdropping | Laptop Webcam Camera Cover Protection for Phone Laptop Tablet | Mic Blocker Lock Your Sound, Webcam cover Stops Webcam Spying(1 Mic Blocker + 2 Webcam cover). Amazon [online] sunshot [retrieved Jun. 12, 2019] <URL: [https://www.amazon.com/sunshot/Blocker-Anti-eavesdropping-Laptop-Protection/dp/B07J4YSHK5/ref=sr\\_1\\_7?ie=UTF8&qid=1545861541&sr=8-7&keywords=mic%2Bblock&th=1](https://www.amazon.com/sunshot/Blocker-Anti-eavesdropping-Laptop-Protection/dp/B07J4YSHK5/ref=sr_1_7?ie=UTF8&qid=1545861541&sr=8-7&keywords=mic%2Bblock&th=1)>.

Privise Original Microphone Blocker • Microphone Lock • Protection Against Audio Hacking • Laptop, Tablet, Smartphone • 1pc. Amazon [online] Privise [retrieved Jun. 12, 2019] <URL: [https://www.amazon.com/Privise-Original-Microphone-Protection-Smartphone/dp/B07L1QYVYF/ref=sr\\_1\\_13?ie=UTF8&qid=1545863297&sr=8-13&keywords=mic+blocker](https://www.amazon.com/Privise-Original-Microphone-Protection-Smartphone/dp/B07L1QYVYF/ref=sr_1_13?ie=UTF8&qid=1545863297&sr=8-13&keywords=mic+blocker)>.

Screen Capture from YouTube video clip entitled “Nope—Sound Blocker and Webcam Cover,” 4 pages, uploaded on Aug. 19, 2017. [retrieved Jun. 12, 2019] <URL: <https://www.youtube.com/watch?v=wNBZIQAHc38>>.

Nope—Webcam Cover + Sound Blocker. [online] Kickstarter [retrieved Jun. 12, 2019] <URL: <https://www.kickstarter.com/projects/bungajungle/nope-sound-blocker-and-webcam-cover>>.

2017 WebCam Shutter Magnet Slider Plastic Camera Cover for Web Laptop iPad PC Mac Tablet Privacy 2pcs in pack. Amazon [online]. WeiYou [retrieved on Mar. 22, 2019] <URL: [https://www.amazon.com/WebCam-Shutter-Magnet-Plastic-Privacy/dp/B0783Q9ZJN/ref=sr\\_1-779-48\\_s=pc&ie=UTF8&qid=1545868517&1-779&keywords=webcam=cover](https://www.amazon.com/WebCam-Shutter-Magnet-Plastic-Privacy/dp/B0783Q9ZJN/ref=sr_1-779-48_s=pc&ie=UTF8&qid=1545868517&1-779&keywords=webcam=cover)>.

Webcam Cover 0.7 mm Thin—Magnet Slider Camera Cover—Protects Your Privacy, Stops Webcam Spying, Fits Smartphone Laptops Macbooks PCs Tablets and All-in-one desktops (Silver(2pack)). Amazon [online]. sunshot [retrieved Mar. 22, 2019] <URL: [https://www.amazon.com/Webcam-Cover-0-7mm-Thin-All/dp/B0749DC118/ref=sr\\_1\\_108?s=pc&ie=UTF8&qid=1545866311&sr=1-108&keywords=webcam+cover](https://www.amazon.com/Webcam-Cover-0-7mm-Thin-All/dp/B0749DC118/ref=sr_1_108?s=pc&ie=UTF8&qid=1545866311&sr=1-108&keywords=webcam+cover)>.

(56)

**References Cited**

## OTHER PUBLICATIONS

Webcam Cover -Black Metal Magnet Slider—for Laptops Macbooks PCs Tablets Smartphones TV , for Privacy and Security against Cam Hacks by UnitedTime (Black Metal 2 Pack). Amazon [online]. Unitedtime [retrived Mar. 22, 2019] <URL: [https://www.amazon.com/Webcam-Cover-Black-Magnet-Slider/dp/B076KN9W4P/ref=sr\\_1\\_66\\_sspa?s=pc&ie=UTF8&qid=1545866239&sr=1-66-spons&keyword=webcam+cover&psc=1](https://www.amazon.com/Webcam-Cover-Black-Magnet-Slider/dp/B076KN9W4P/ref=sr_1_66_sspa?s=pc&ie=UTF8&qid=1545866239&sr=1-66-spons&keyword=webcam+cover&psc=1)>.

Xberstar 3pcs Silver Webcam Camera Protector Cover Slider Shield for Notebook Laptop Tablet iPhone Android Smartphones (Black). Amazon [online]. Xyberstar [retrieved on Mar. 22, 2019]<URL: <https://www.amazon.com/e=UTF8&qid=1545969524&sr=8-41&keywords=magnet+webcam+cover>>.

Webcam Cover Slide 0.027in Ultra Thin Metal Magnet Web Camera Cover for MacBook Pro Laptops Smartphone Mac PC Tablets for Echo Spot Show Protecting Your Privacy Security Black(3 Packs). Amazon [online]. Cimkiz [retrived on Mar. 22, 2019]<URL: [https://www.amazon.com/0-027in-MacBook-Smartphone-Protecting-Security/dp/B077ZT29P2/ref=sr\\_1\\_5?s=pc&ie=UTF8&qid=1545865796&sr=1-5&keywords=webcam+cover](https://www.amazon.com/0-027in-MacBook-Smartphone-Protecting-Security/dp/B077ZT29P2/ref=sr_1_5?s=pc&ie=UTF8&qid=1545865796&sr=1-5&keywords=webcam+cover)>.

Gurmore Webcam Cover Slider, 0.027In Ultra Thin Metal Magnet Black Web Camera Cover for Laptops Smartphone MacBook Pro PCs Tablets Protecting Your Privacy and Security Against Cam Hacks. Amazon [online]. Gurmore [retrieved on Mar. 22, 2019]<URL: [https://www.amazon.com/GURMORE-Slider%ER%BC%8C0-027In-Smartphone-Protecting-Security/dp/B07B9WJKFN/ref=sr\\_1\\_74?s=pc&ie=UTF8&qid=1545866239&sr=1-74&keywords=webcam+cover](https://www.amazon.com/GURMORE-Slider%ER%BC%8C0-027In-Smartphone-Protecting-Security/dp/B07B9WJKFN/ref=sr_1_74?s=pc&ie=UTF8&qid=1545866239&sr=1-74&keywords=webcam+cover)>.

Webcam Cover, Web Camera Cover Rotate for Laptop Desktop Tablet Smartphone MacBook Pro iMac iPhone Notebook Com-

puter, Protect Your Privacy and Security, Strong 3M Adhansive Webcam Cover (Black). Amazon [online]. AOGÉ [retrieved on Mar. 22, 2019]<URL: [https://www.amazon.com/Smartphone-Notebook-Computer-Security-Adhesive/dp/B07F3YR4R/ref=sr\\_1\\_100?s=pc&ie=UTF8&qid=1545866311&sr=1-100&keywords=webcam+cover](https://www.amazon.com/Smartphone-Notebook-Computer-Security-Adhesive/dp/B07F3YR4R/ref=sr_1_100?s=pc&ie=UTF8&qid=1545866311&sr=1-100&keywords=webcam+cover)>.

Webcam Cover Slider Slim Thin Laptop Camera Cover Suitable for Mac Desktop iMac Ipad iPhone Smartphone Protect Your Privacy Prime. Amazon [online]. MorganProducts [retrieved on Mar. 22, 2019]<URL: <https://www.amazon.s=pc&ie=UTF8&qid=1545866180&sr=1-43&keywords=keywords=webcam+cover>>.

“Webcam Cover | Black Slider (1 Pack) Laptop Camera Cover Slide | Protects Computer & Smartphone Camera Against Hackers Swiss Made Webcamera Slider | Web Cam Blocker. Amazon [online]. ProTech Privacy [retrieved Mar. 22, 2019]<URL: [https://www.amazon.com/Protects-Computer-Smartphone-Against-Webcamera/dp/B018N0LCNM/ref=sr\\_1\\_1\\_sspa?ie=UTF8&qid=1545855356&sr=8-1-spons&keywords=twist+twist+webcam+cover&psc=1](https://www.amazon.com/Protects-Computer-Smartphone-Against-Webcamera/dp/B018N0LCNM/ref=sr_1_1_sspa?ie=UTF8&qid=1545855356&sr=8-1-spons&keywords=twist+twist+webcam+cover&psc=1)>”.

Webcam Cover, Amarto 3 pack Web Camera Cover Slide for Laptop, Desktop, PC, Macbook Pro, iMac, Mac Mini, Computer, Smartphone, protecting Privacy and Security, Strong Adhesive (Black). Amazon [online]. Amarto [retrieved on Mar. 22, 2019]<URL: [https://www.amazon.com/RECOMMENDED-Macbook-Internet-Security-Privacy/dp/B07BT1HYVP/ref=sr\\_1\\_42?s=pc&ie=UTF8&qid=1545866180&180&sr=1-42&keywords=webcam+cover](https://www.amazon.com/RECOMMENDED-Macbook-Internet-Security-Privacy/dp/B07BT1HYVP/ref=sr_1_42?s=pc&ie=UTF8&qid=1545866180&180&sr=1-42&keywords=webcam+cover)>.

Webcam Cover by imluckies, Slide Metal Camera Cover for MacBook Pro, Laptop, Mac, PC, iPhone[2 Pack]. Amazon [online]. imluckies [retrieved on Mar. 22, 2019] <URL: [https://www.amazon.com/Webcam-impluckies-Camera-MacBook-Laptop/dp/B07C24NBGL/ref=sr\\_1\\_150\\_sspa?s=pc&ie=UTF8&qid=1545867637&sr=1\\_150\\_spons&keywords=webcam+cover&psc=1](https://www.amazon.com/Webcam-impluckies-Camera-MacBook-Laptop/dp/B07C24NBGL/ref=sr_1_150_sspa?s=pc&ie=UTF8&qid=1545867637&sr=1_150_spons&keywords=webcam+cover&psc=1)>.

\* cited by examiner

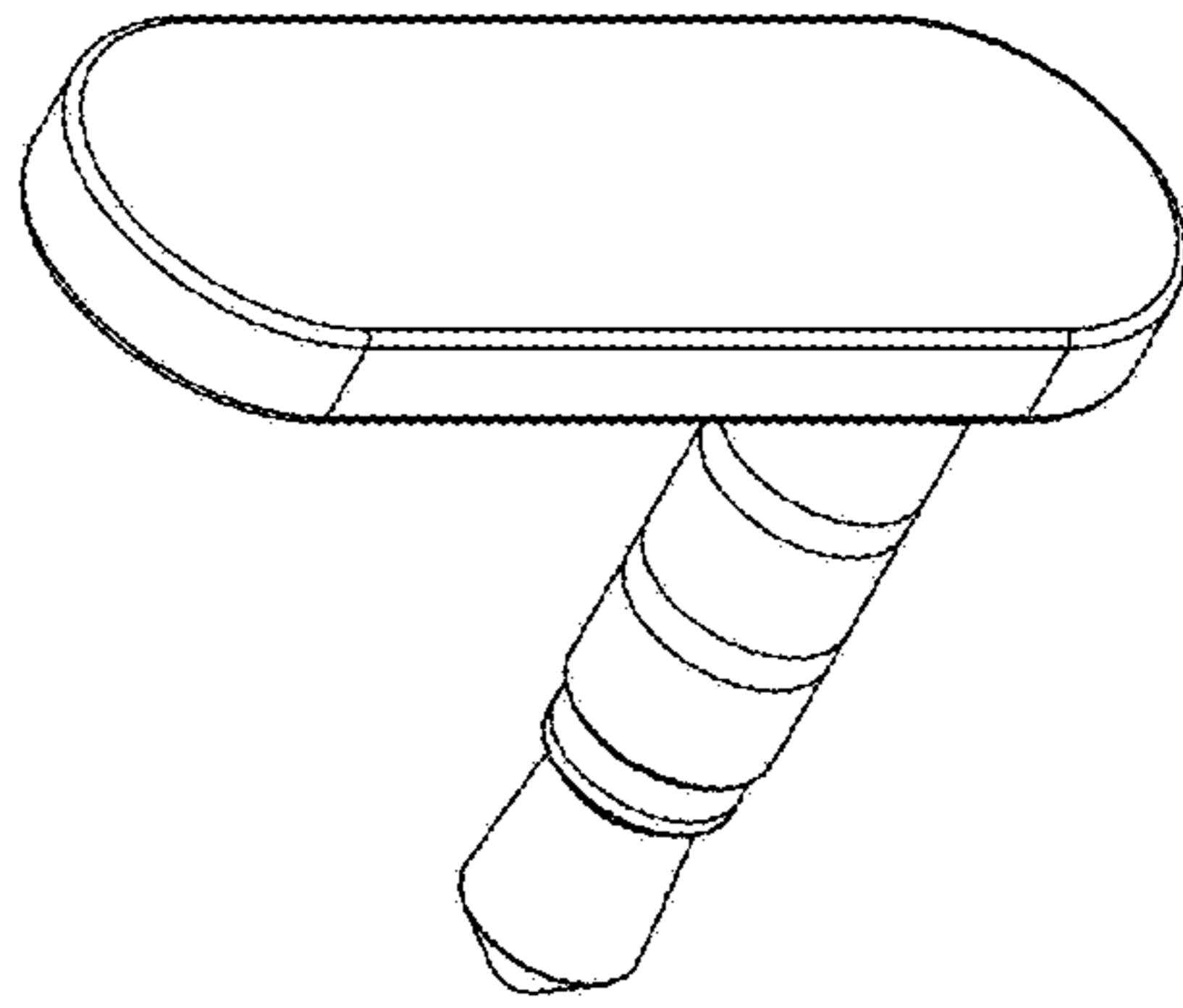


FIG. 2

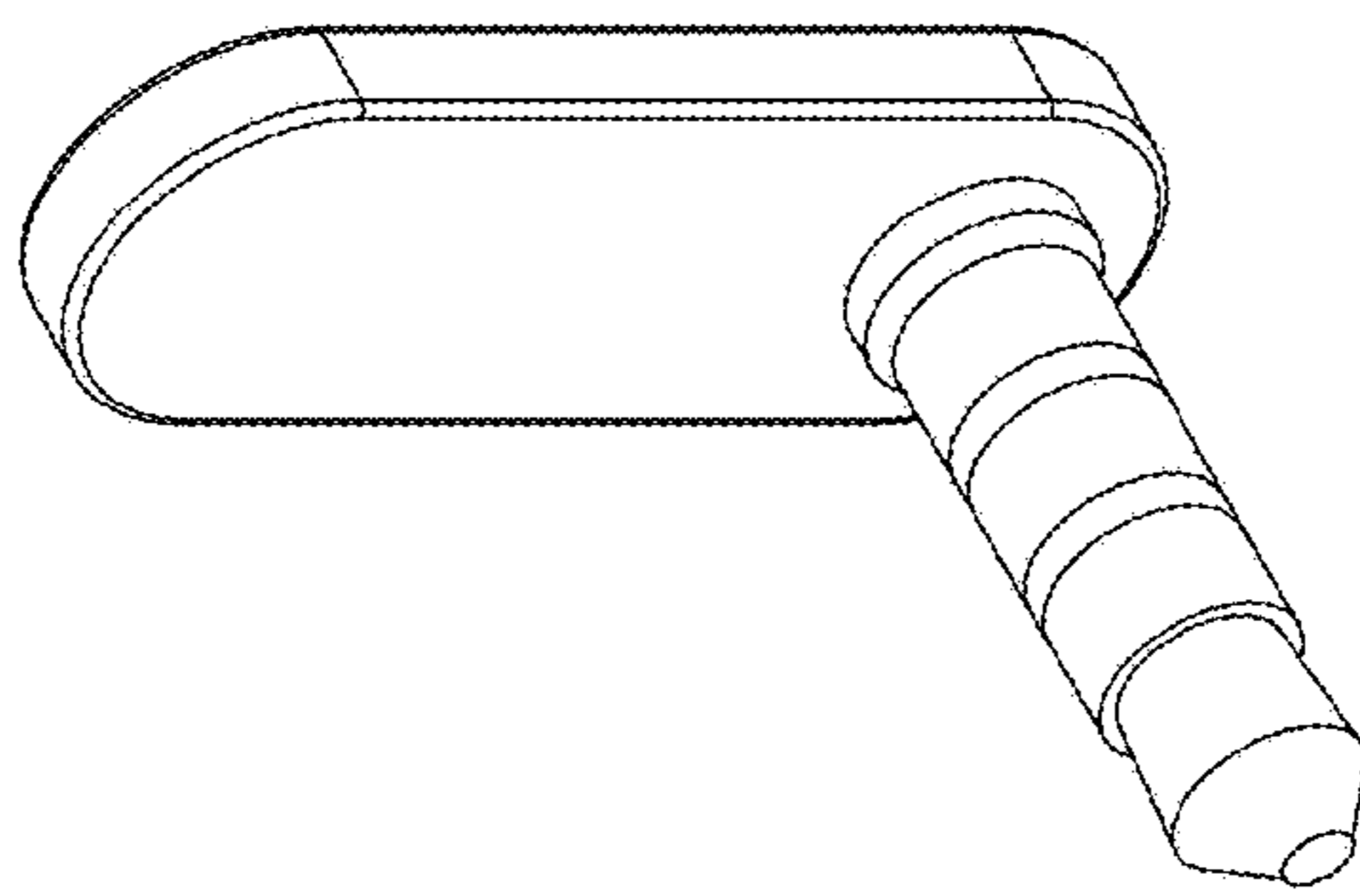


FIG. 1

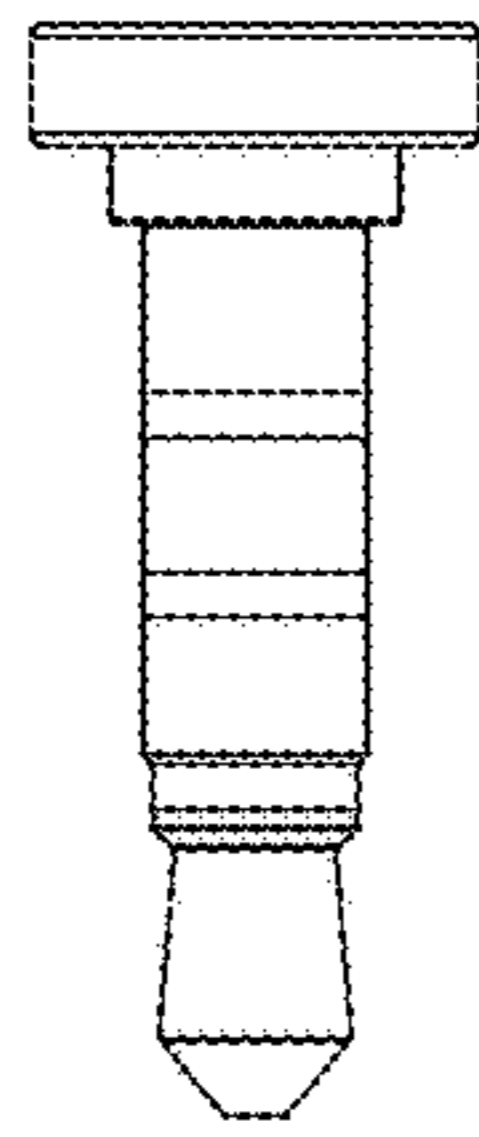


FIG. 7

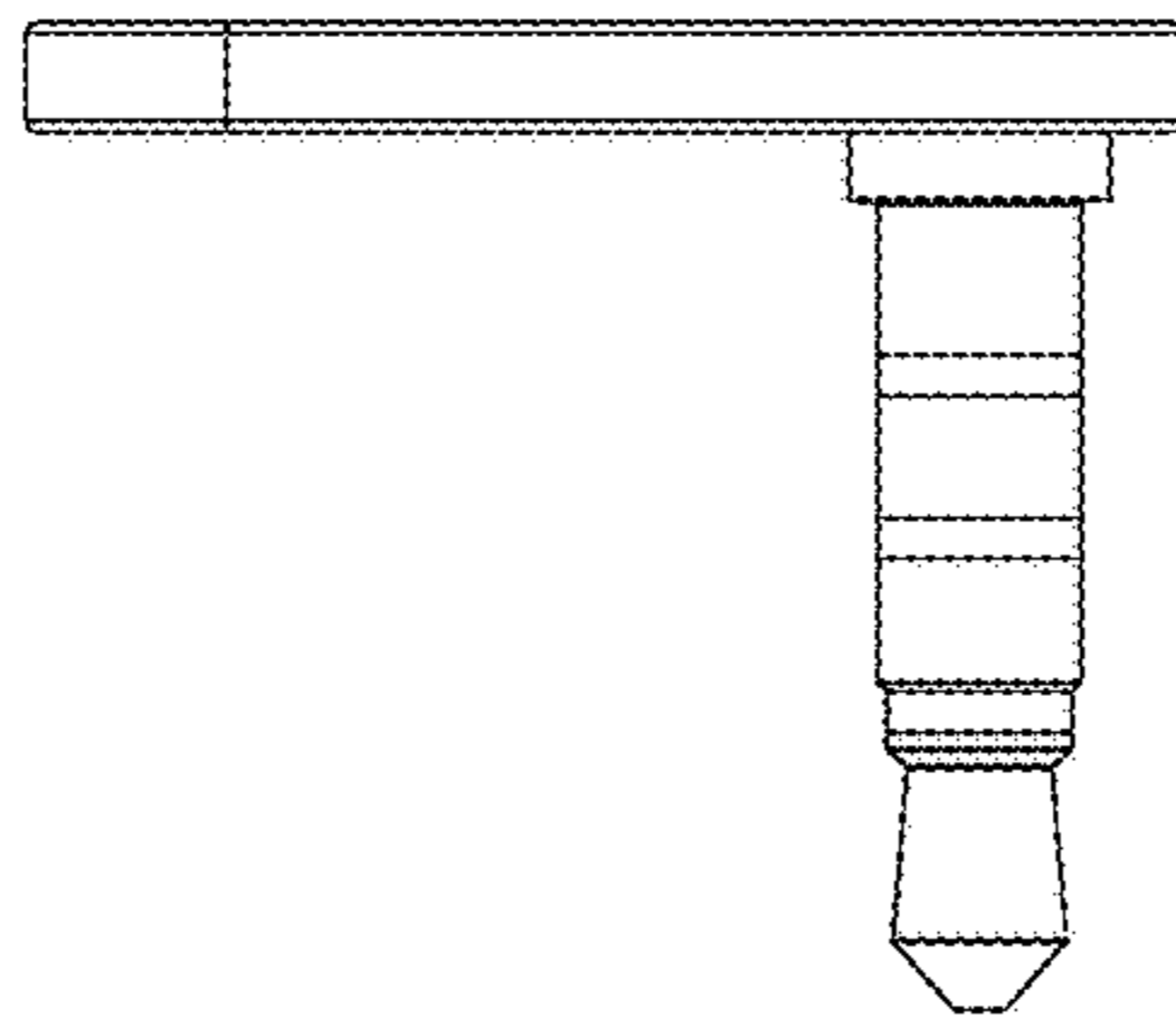


FIG. 5

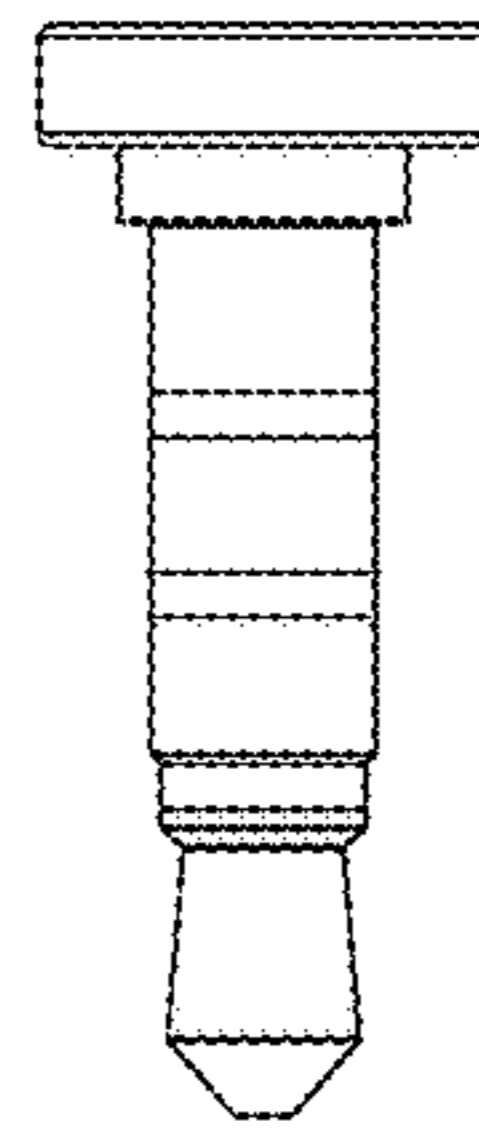


FIG. 8



FIG. 3

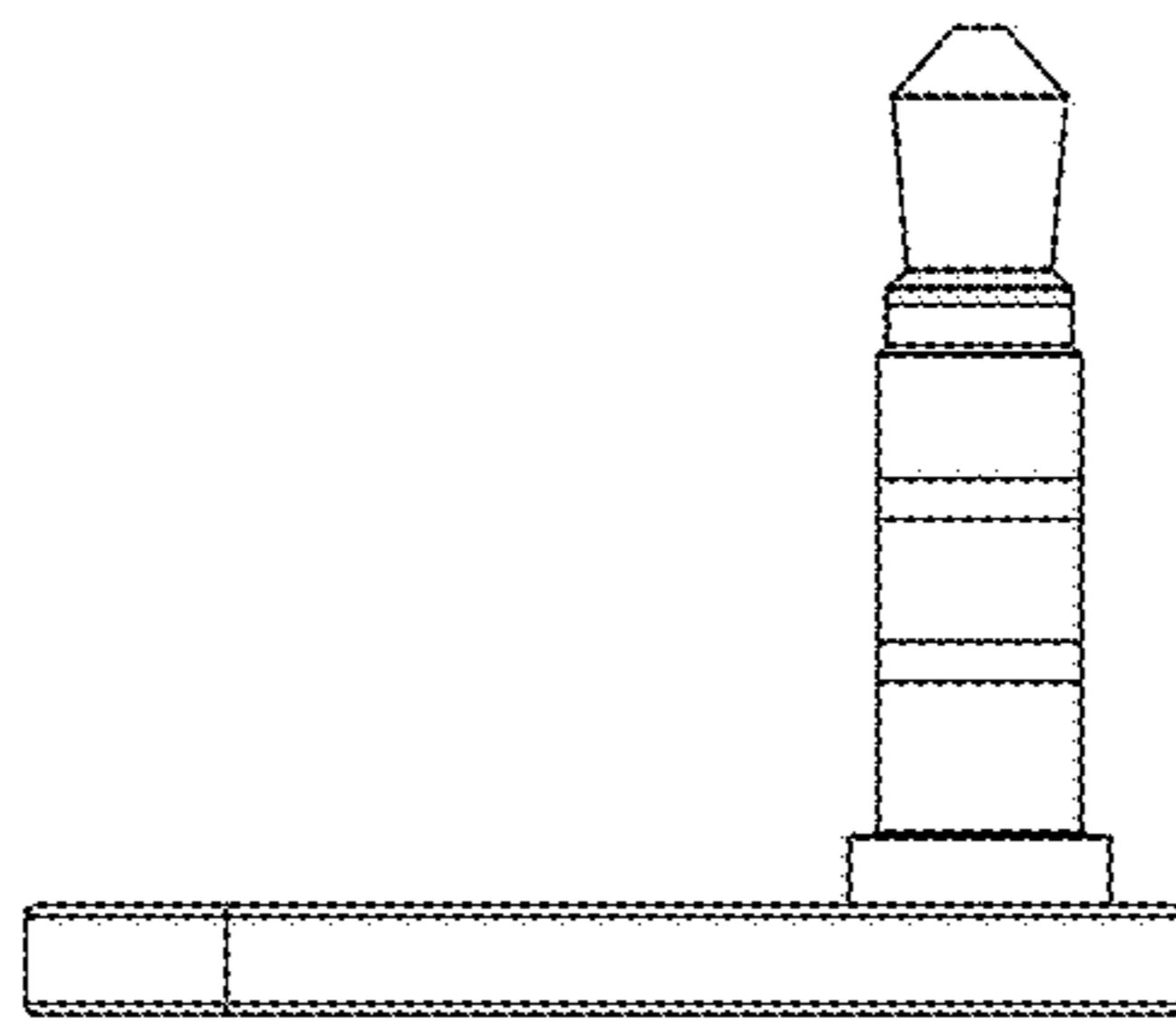


FIG. 4



FIG. 6

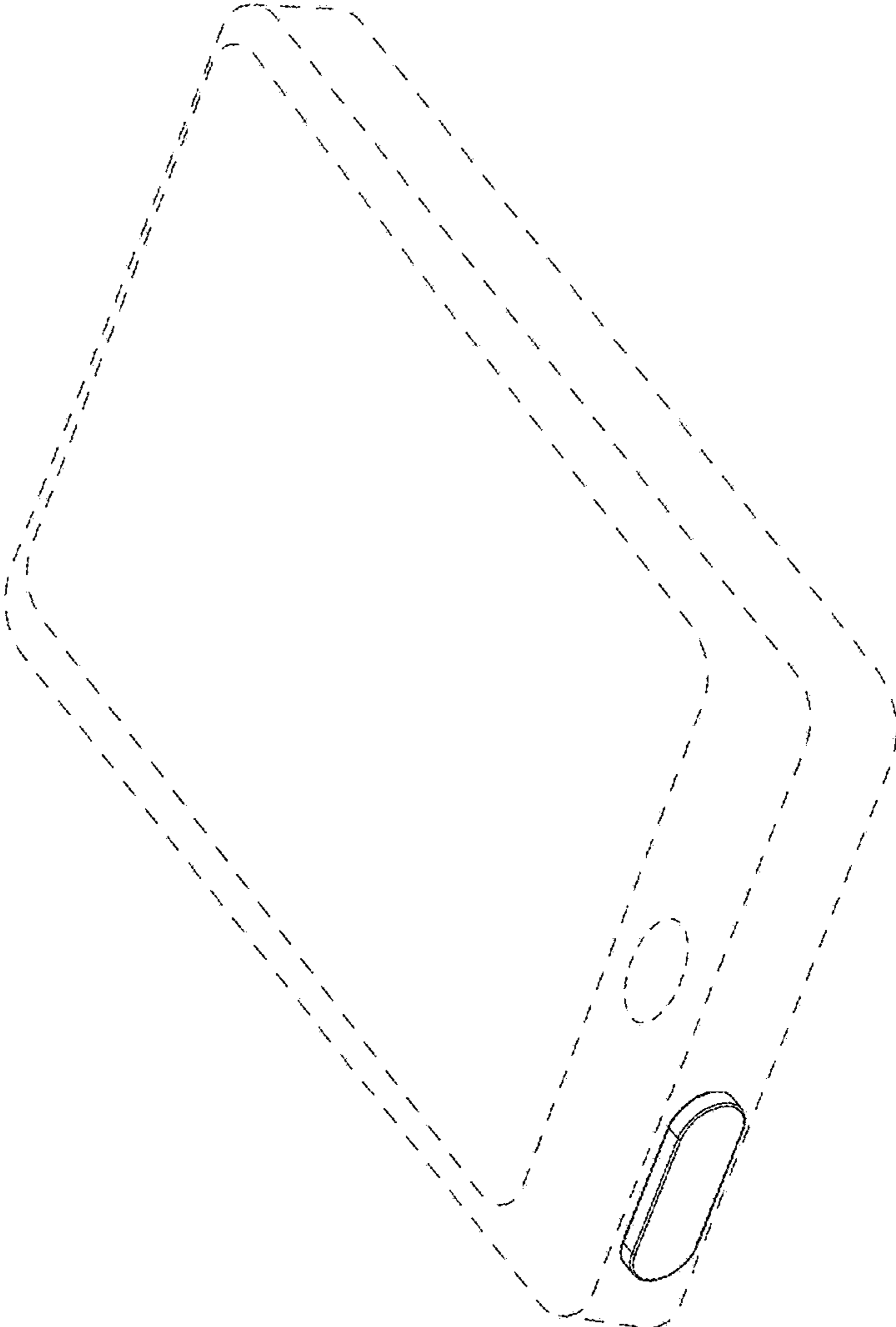


FIG. 9

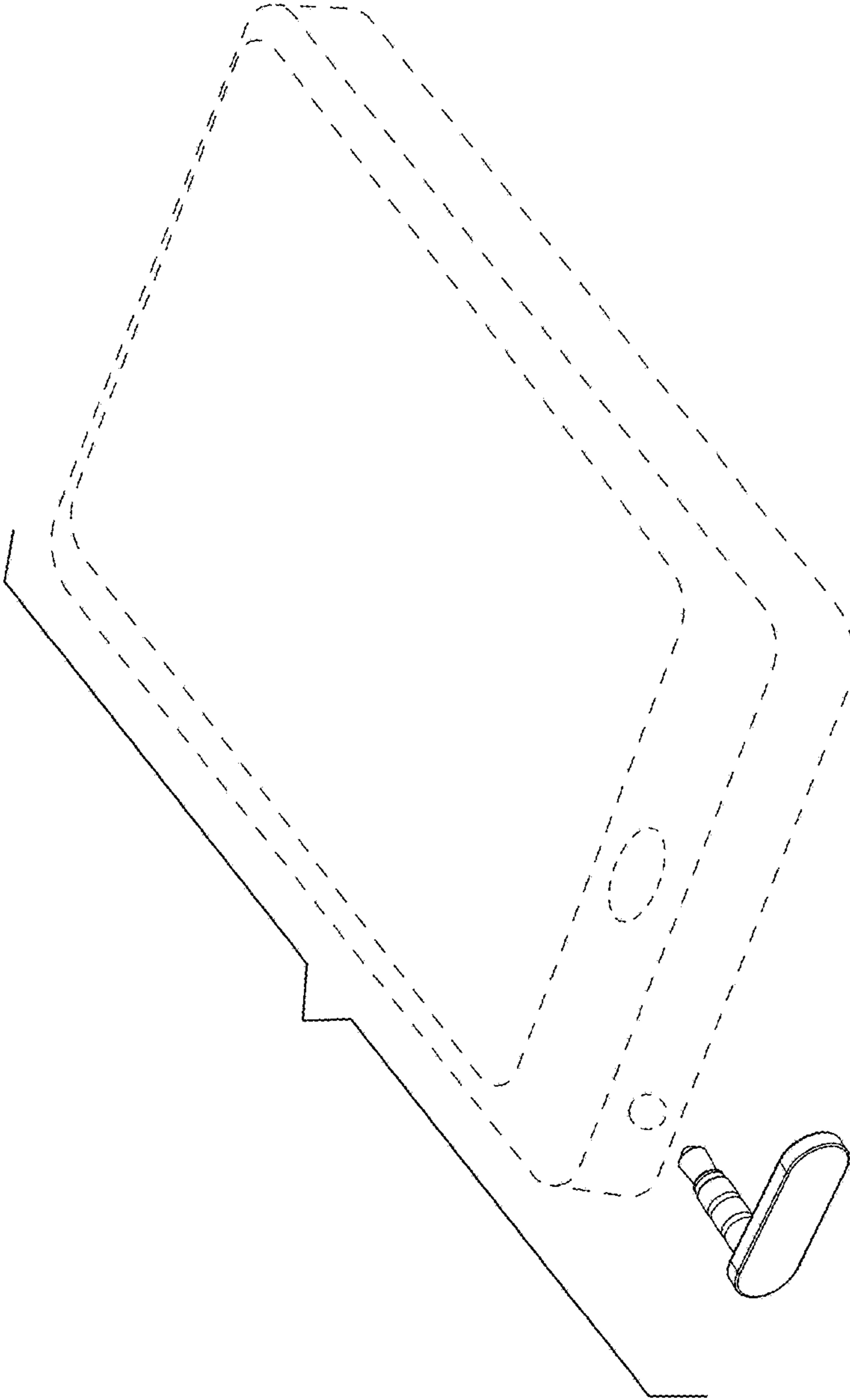


FIG. 10