



US00D861695S

(12) **United States Design Patent** (10) **Patent No.:** **US D861,695 S**  
**Lee** (45) **Date of Patent:** **\*\* Oct. 1, 2019**

(54) **CHARGING DISPLAY STAND FOR MOBILE DEVICE**

(71) Applicant: **Leonard Lee**, Minneapolis, MN (US)

(72) Inventor: **Leonard Lee**, Minneapolis, MN (US)

(\*\*) Term: **15 Years**

(21) Appl. No.: **29/642,815**

(22) Filed: **Apr. 2, 2018**

**Related U.S. Application Data**

(63) Continuation-in-part of application No. 29/576,654, filed on Sep. 6, 2016, now Pat. No. Des. 814,472.

(51) **LOC (12) Cl.** ..... **14-02**

(52) **U.S. Cl.**  
USPC ..... **D14/434; D13/108**

(58) **Field of Classification Search**  
USPC ..... D14/434, 440, 447, 251-253, 432, 451, D14/452, 454, 140, 142, 149, 217, 240, D14/299, 496, 356, 358; D13/103, 107, D13/108, 118, 119, 184; D6/512, 672, D6/682; D29/102, 103, 106, 111, 122; D10/74, 80; D3/254

CPC .... G06F 1/1616; G06F 1/1626; G06F 1/1632; H01M 10/44; H02J 7/0042; H02J 7/00; H02J 7/0027; H02J 7/0044; H02J 7/0045; H04B 1/3883

See application file for complete search history.

(56) **References Cited**

**U.S. PATENT DOCUMENTS**

D208,219 S	8/1967	Goldstein
D218,349 S	8/1970	Feeney
D229,172 S	11/1973	Khoury et al.
D232,011 S	7/1974	Denton
D234,433 S	3/1975	Zivica

D237,593 S	11/1975	Tibbs	
D241,144 S	*	8/1976	Davis ..... D14/253
D241,163 S		8/1976	Zivica
D243,578 S		3/1977	Danat
D246,934 S	*	1/1978	Keller ..... D26/73
D248,651 S		7/1978	Zivica
D260,468 S		9/1981	Huebner
D267,489 S		1/1983	Daharsh et al.
D277,180 S		1/1985	Paul
D307,268 S		4/1990	Lee
D308,637 S		6/1990	Howe
D311,594 S		10/1990	Medina
D314,492 S		2/1991	Weller et al.
D330,710 S		11/1992	Lee
D334,539 S		4/1993	Der Garabedian
D339,805 S		9/1993	Hartman
D344,659 S		3/1994	Hsu
D353,821 S	*	12/1994	Hammer ..... D14/253
D369,154 S		4/1996	Powell
D375,810 S	*	11/1996	Ham ..... D26/125
D379,023 S		4/1997	August

(Continued)

*Primary Examiner* — Marie D. Fast Horse

(74) *Attorney, Agent, or Firm* — Dunlap Codding, P.C.

(57) **CLAIM**

The ornamental design for a charging display stand for a mobile device, as shown and described.

**DESCRIPTION**

FIG. 1 is a front perspective view of a charging display stand for a mobile device.

FIG. 2 is a front view of the charging display stand.

FIG. 3 is a right side view of the charging display stand.

FIG. 4 is a rear view of the charging display stand.

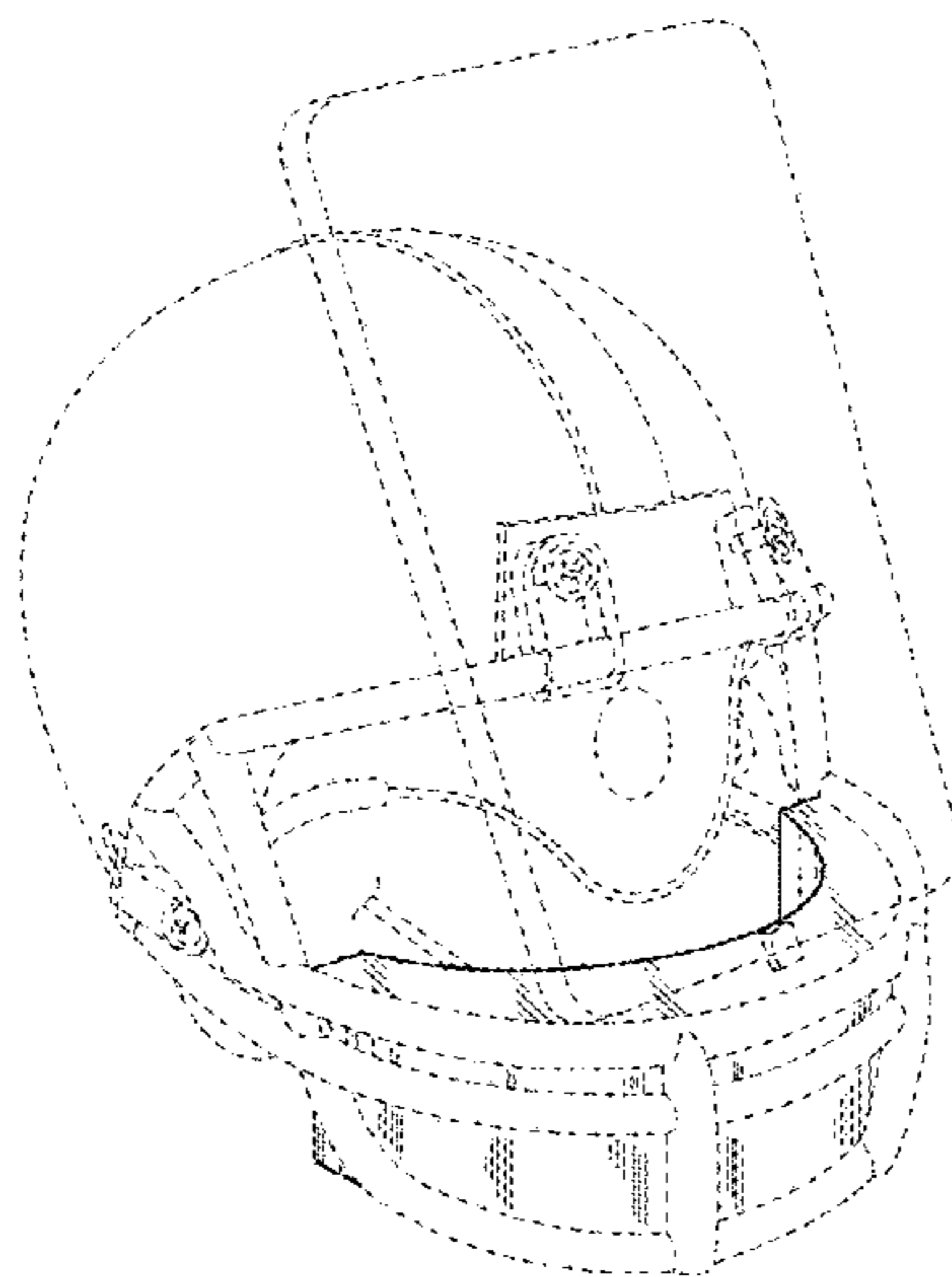
FIG. 5 is a left side view of the charging display stand.

FIG. 6 is a top view of the charging display stand; and,

FIG. 7 is a bottom view of the charging display stand.

The broken lines represent environment that forms no part of the claim.

**1 Claim, 3 Drawing Sheets**



(56)

References Cited

U.S. PATENT DOCUMENTS

D383,137 S 9/1997 Gamble, Jr. et al.  
 D383,953 S 9/1997 DeFilippo  
 D386,161 S 11/1997 Young  
 D418,293 S 1/2000 Palmer  
 D420,197 S 2/2000 Arnold  
 D425,459 S 5/2000 Sousa  
 D425,515 S 5/2000 Suh  
 D426,545 S 6/2000 Smith et al.  
 D428,416 S 7/2000 Smith et al.  
 D430,214 S 8/2000 Palmer  
 D430,557 S 9/2000 Kaufmann  
 D430,567 S 9/2000 Diee  
 D441,750 S 5/2001 Higa et al.  
 D455,150 S 4/2002 Grabowski  
 D460,441 S 7/2002 Neil  
 D461,152 S 8/2002 Schmitt  
 D466,508 S 12/2002 Hervig et al.  
 D472,239 S 3/2003 Moorer, Jr.  
 D477,920 S 8/2003 McCarty et al.  
 D483,375 S 12/2003 Denney  
 D495,306 S \* 8/2004 Fletcher ..... D14/125  
 D518,738 S 4/2006 Dreggors  
 D520,011 S 5/2006 Bailless  
 D520,673 S 5/2006 Wu  
 D522,515 S 6/2006 Valentine  
 D524,127 S 7/2006 Lee  
 D526,450 S 8/2006 Taylor et al.  
 D530,319 S \* 10/2006 Sarasjoki ..... D14/253  
 D532,172 S 11/2006 Gianfrisco  
 D537,456 S 2/2007 Davis  
 D540,327 S \* 4/2007 Wong ..... D14/434  
 D543,985 S \* 6/2007 Hussaini ..... D14/434  
 D551,376 S 9/2007 Nunes  
 D558,748 S 1/2008 Speiss  
 D563,825 S 3/2008 Cash  
 D571,709 S 6/2008 Parsons  
 D573,398 S 7/2008 Puerto  
 D589,248 S \* 3/2009 Katsof ..... D3/201  
 D596,670 S 7/2009 Baker  
 D608,057 S 1/2010 Zagar  
 D613,200 S 4/2010 Modderman et al.  
 D615,491 S 5/2010 Emminger  
 D616,670 S 6/2010 Lau  
 D618,689 S \* 6/2010 Shimizu ..... D14/434  
 D631,277 S 1/2011 Curtis

D640,248 S 6/2011 Baumann et al.  
 D642,071 S 7/2011 Young  
 D645,819 S \* 9/2011 Lin ..... D13/118  
 D650,486 S \* 12/2011 Cowan ..... D24/209  
 D654,921 S 2/2012 Malsan  
 D661,433 S 6/2012 Wehr et al.  
 D680,296 S 4/2013 Villota et al.  
 D682,941 S 5/2013 Nash et al.  
 D699,674 S 2/2014 Man  
 D702,673 S 4/2014 Murchison et al.  
 8,717,129 B1 5/2014 Cash  
 D710,796 S \* 8/2014 Ko ..... D13/103  
 D711,269 S \* 8/2014 Esposito ..... D10/70  
 D713,836 S \* 9/2014 Cheon ..... D14/253  
 D715,764 S \* 10/2014 Kim ..... D14/209.1  
 D715,765 S \* 10/2014 Kim ..... D14/209.1  
 D718,002 S 11/2014 Littrell, Jr.  
 D721,834 S 1/2015 Nguyen  
 D722,437 S 2/2015 Casesa  
 D726,106 S \* 4/2015 Aber ..... D13/103  
 D730,316 S 5/2015 Burchfield et al.  
 D730,358 S \* 5/2015 Liu ..... D14/433  
 9,022,341 B2 5/2015 Radmard  
 D730,869 S \* 6/2015 Lee ..... D14/214  
 D732,037 S 6/2015 Wylie  
 D734,384 S \* 7/2015 Han ..... D14/434  
 D737,258 S \* 8/2015 Ryu ..... D14/239  
 D738,847 S \* 9/2015 Park ..... D14/253  
 D746,823 S 1/2016 Lai et al.  
 D750,092 S \* 2/2016 Kim ..... D14/451  
 D757,020 S \* 5/2016 Kim ..... D14/451  
 D757,706 S 5/2016 Taing  
 D760,643 S \* 7/2016 Phillips ..... D13/103  
 D760,648 S 7/2016 Lee et al.  
 D761,202 S \* 7/2016 Aber ..... D13/108  
 D779,870 S 2/2017 Serrano  
 D784,958 S \* 4/2017 Furuno ..... D14/204  
 D786,843 S \* 5/2017 Lee ..... D14/239  
 D793,954 S \* 8/2017 Clervi ..... D13/107  
 D798,808 S \* 10/2017 Ptok ..... D13/108  
 D798,936 S \* 10/2017 Sebring ..... D16/215  
 D814,472 S \* 4/2018 Lee ..... D14/434  
 D826,857 S \* 8/2018 Imanishi ..... D13/118  
 10,114,416 B1 \* 10/2018 D'Penha ..... G06F 1/1632  
 D833,058 S \* 11/2018 Smith ..... D26/94  
 D844,698 S \* 4/2019 Isaacs ..... D13/108

\* cited by examiner

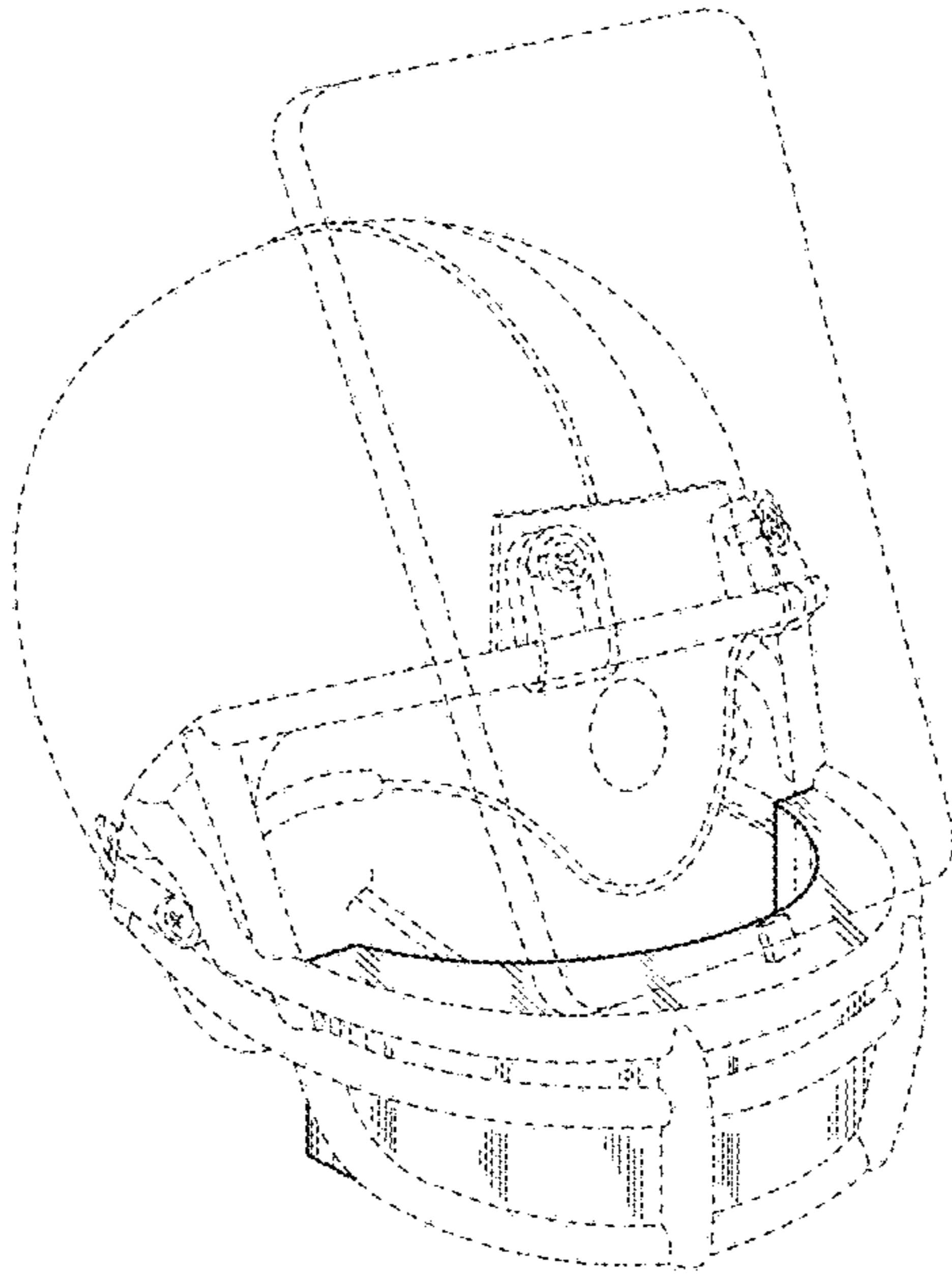


FIG. 1

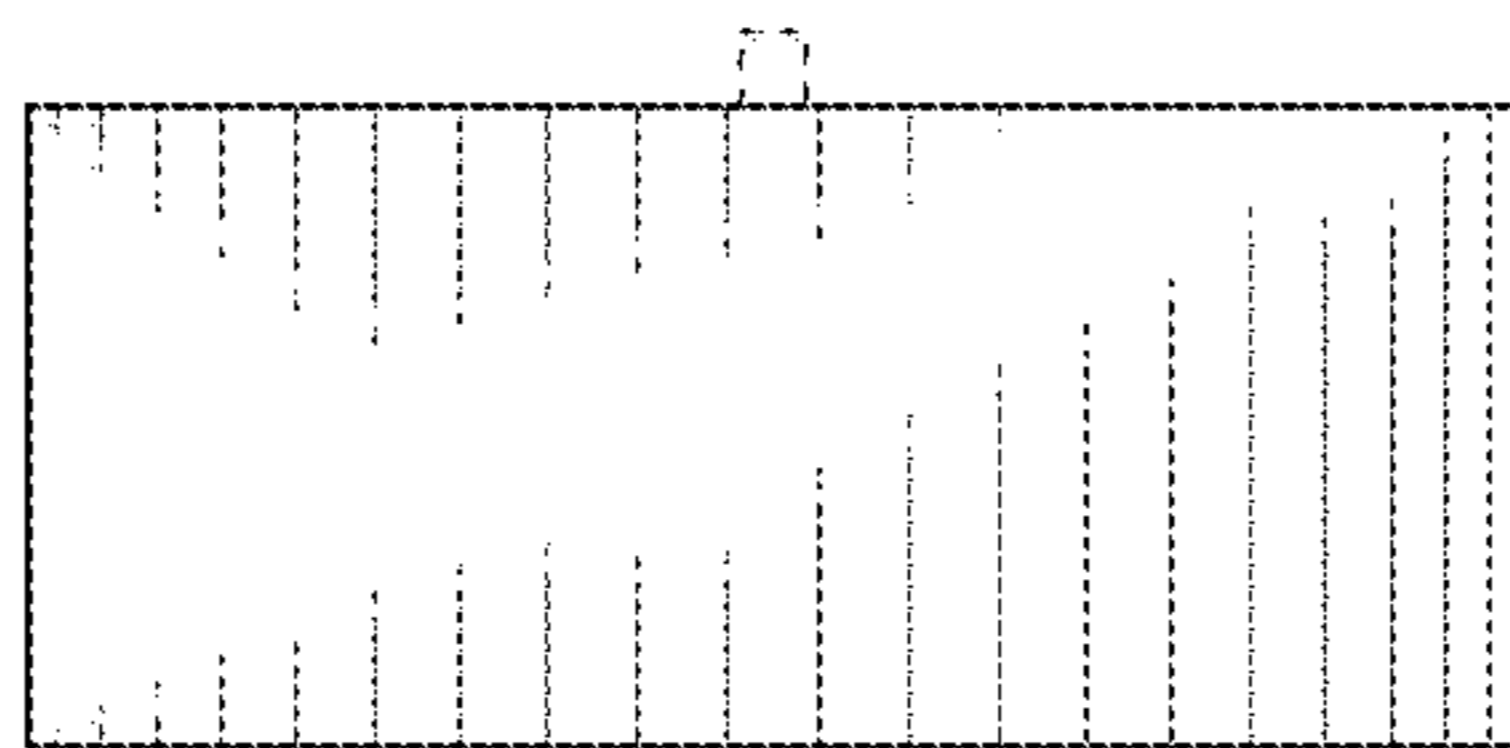


FIG. 2

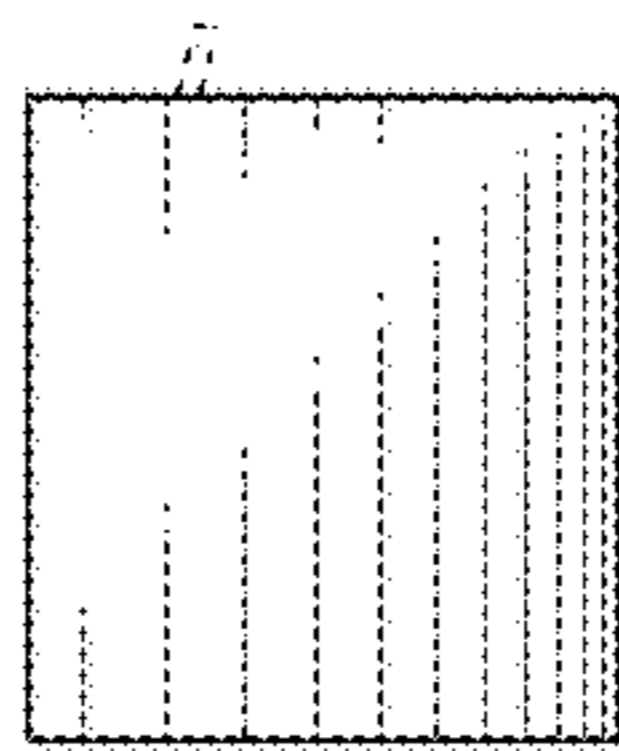


FIG. 3

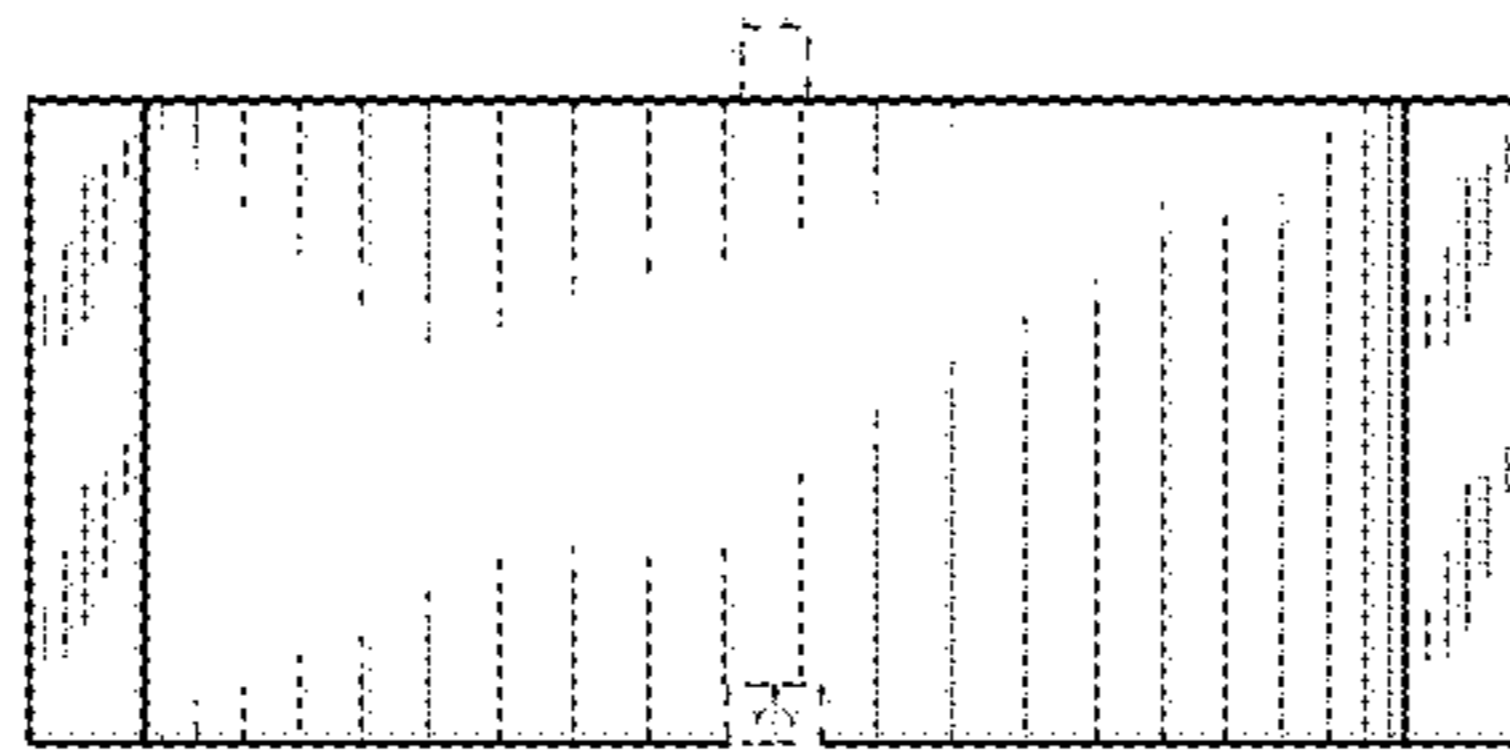


FIG. 4

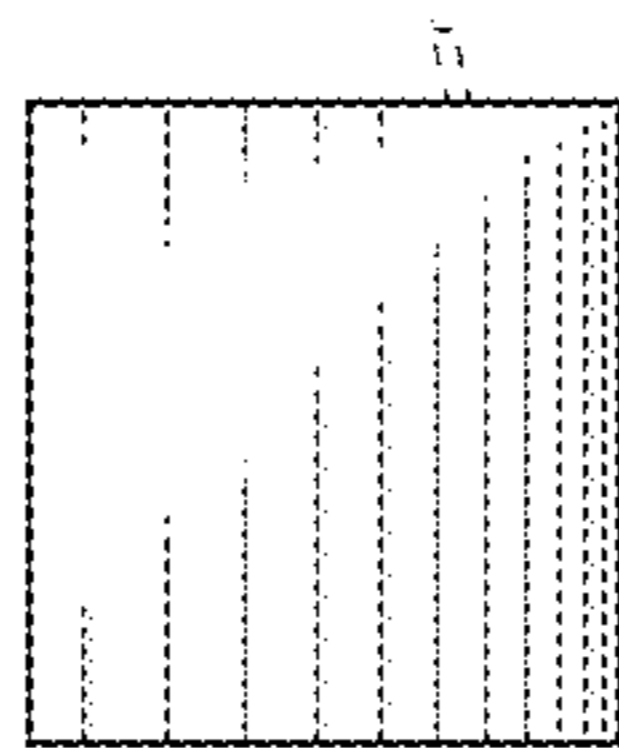


FIG. 5

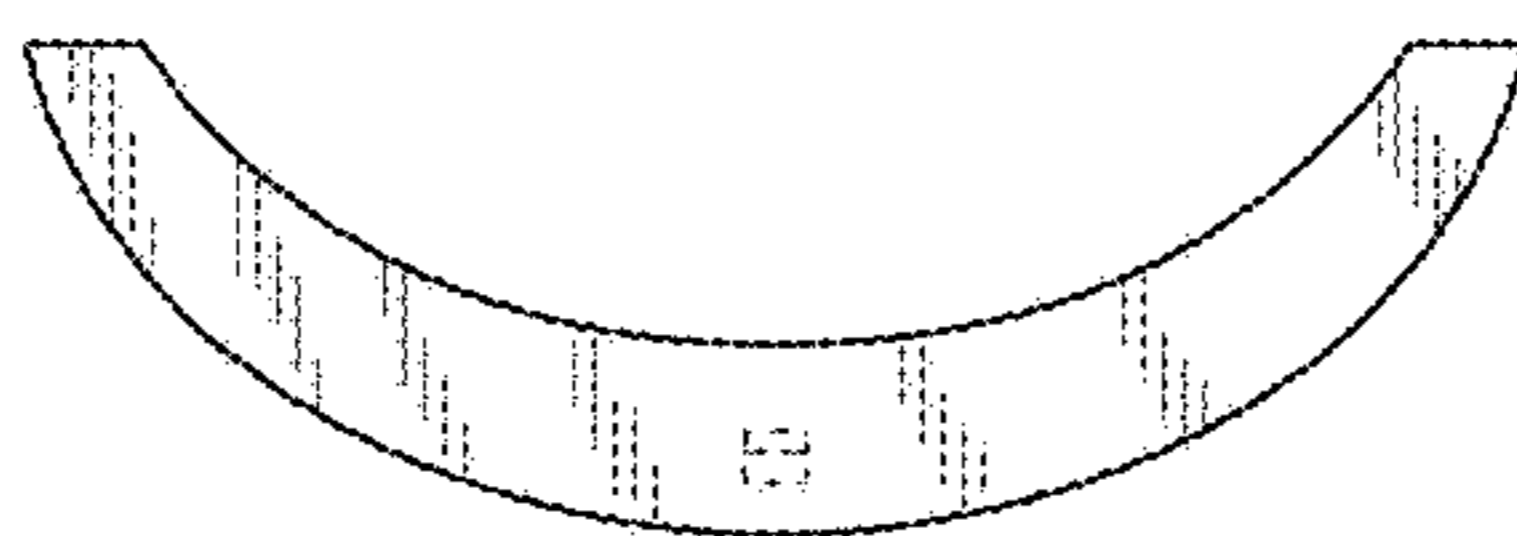


FIG. 6

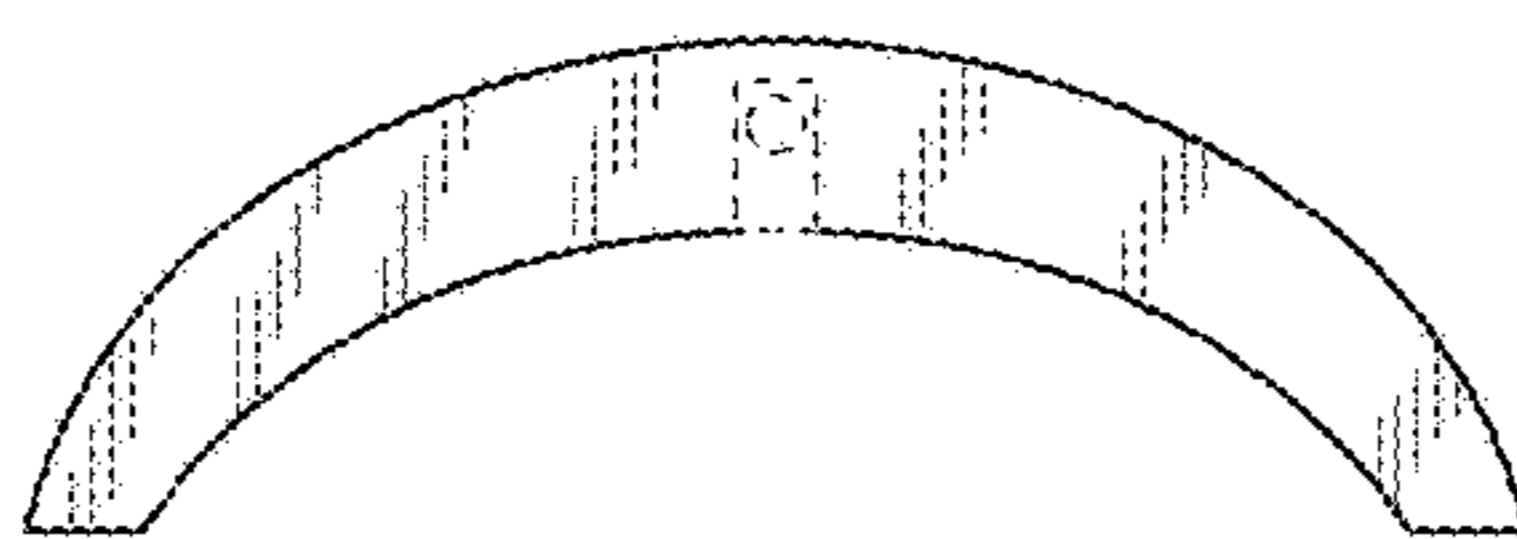


FIG. 7