



US00D861694S

(12) **United States Design Patent** (10) **Patent No.:** **US D861,694 S**  
**Wang** (45) **Date of Patent:** **\*\* Oct. 1, 2019**

(54) **MULTI-PORT USB HUB**  
(71) Applicant: **Qiang Wang**, Beijing (CN)  
(72) Inventor: **Qiang Wang**, Beijing (CN)  
(73) Assignee: **Shenzhen City Feideyue Technology Co., Ltd**, Shenzhen (CN)  
(\*\*) Term: **15 Years**  
(21) Appl. No.: **29/624,907**  
(22) Filed: **Nov. 6, 2017**  
(51) **LOC (12) Cl.** ..... **14-02**  
(52) **U.S. Cl.**  
USPC ..... **D14/433**  
(58) **Field of Classification Search**  
USPC ..... D18/4.4, 4.5, 4.6, 12, 12.1, 12.3;  
D14/383, 384, 385, 386, 378  
CPC ..... G06K 19/07749; G06K 19/07723; G06K  
19/041; G06K 19/07758; G06K 19/0775;  
G06K 19/07783; G06K 19/07794; G06K  
19/06046; G06K 19/07722; G06K  
19/07773; G06K 19/07779; G06K  
19/07784; G06K 19/07786; G06K  
19/0709  
See application file for complete search history.

(56) **References Cited**  
U.S. PATENT DOCUMENTS  
D305,882 S \* 2/1990 Kato ..... D14/385  
D558,765 S \* 1/2008 Fidler ..... D14/385

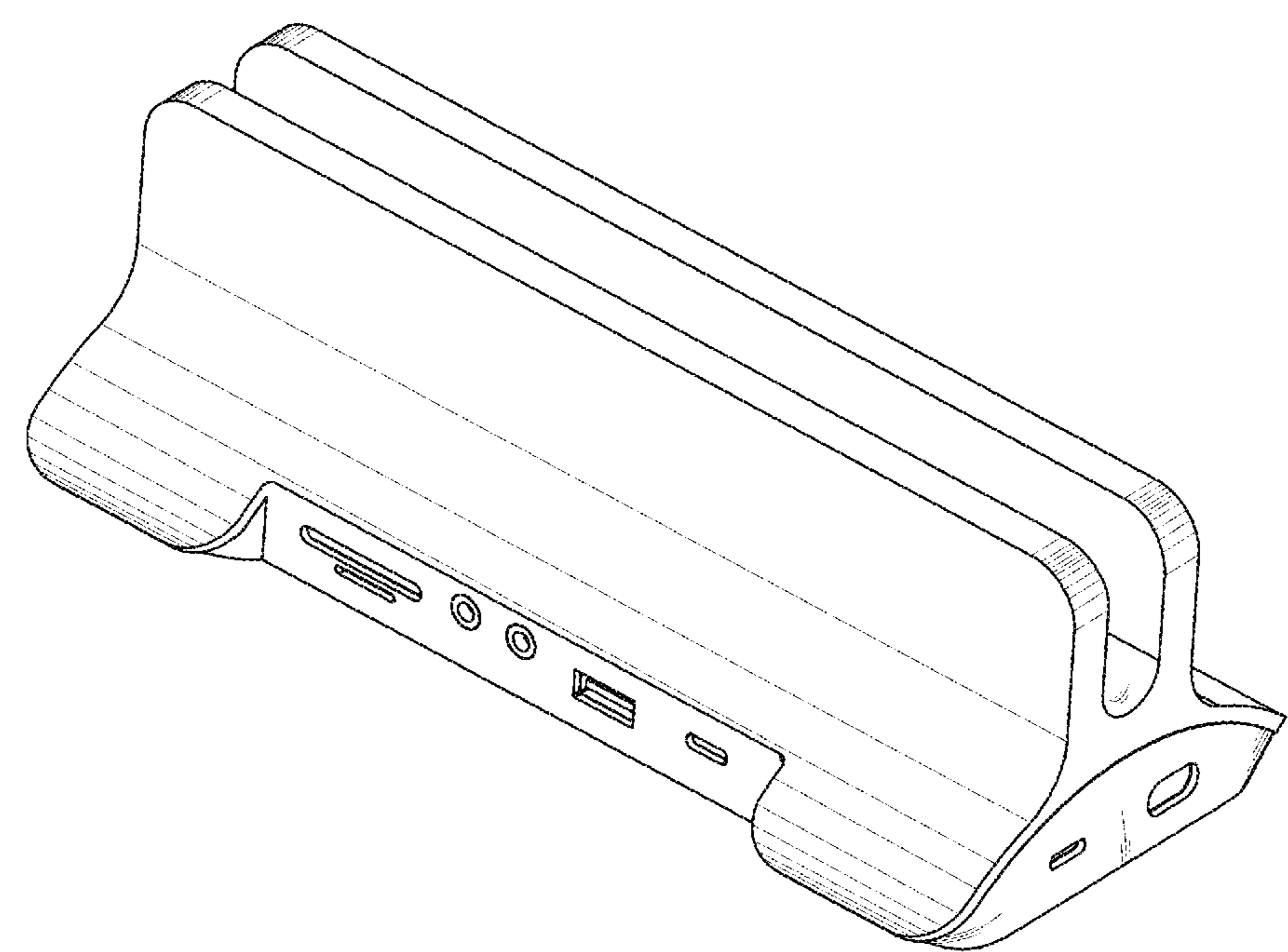
D590,828 S \* 4/2009 Sherrod ..... D14/385  
D607,000 S \* 12/2009 Cheng ..... D14/385  
D709,892 S \* 7/2014 Lui ..... D14/433  
D711,884 S \* 8/2014 Turksu ..... D14/433  
D746,540 S \* 12/2015 Scott ..... D14/385  
D762,214 S \* 7/2016 Nguyen ..... D14/385  
D768,630 S \* 10/2016 Austin ..... D14/385  
D771,044 S \* 11/2016 Nguyen ..... D14/385  
D788,112 S \* 5/2017 Liao ..... D14/433  
D814,467 S \* 4/2018 Long ..... D14/385  
D815,093 S \* 4/2018 Long ..... D14/385  
D828,355 S \* 9/2018 Xie ..... D14/433  
D828,356 S \* 9/2018 Xie ..... D14/433

\* cited by examiner  
*Primary Examiner* — Austin Murphy

(57) **CLAIM**  
The ornamental design for a multi-port USB hub, as shown.

**DESCRIPTION**  
FIG. 1 is a front elevational view of a multi-port USB hub showing my new design;  
FIG. 2 is a rear elevational view thereof;  
FIG. 3 is a left side elevational view thereof;  
FIG. 4 is a right side elevational view thereof;  
FIG. 5 is a top plan view thereof;  
FIG. 6 is a bottom plan view thereof; and,  
FIG. 7 is a perspective view thereof.  
The broken lines depict environment that forms no part of the claimed design.

**1 Claim, 4 Drawing Sheets**



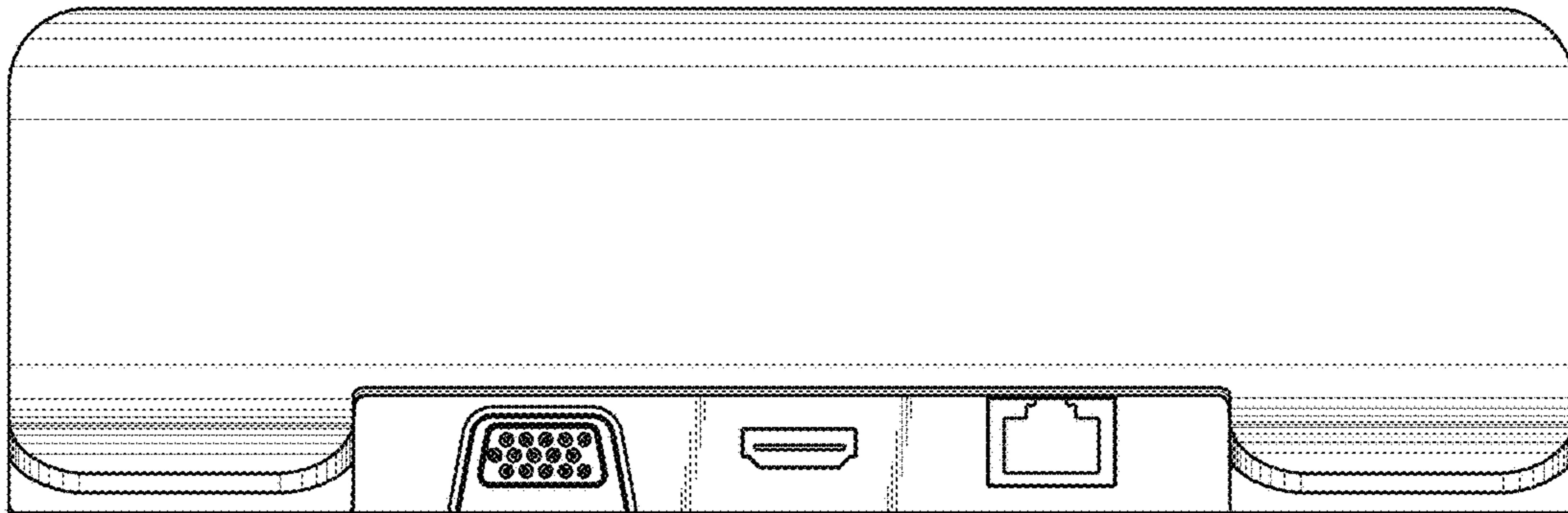


FIG. 1

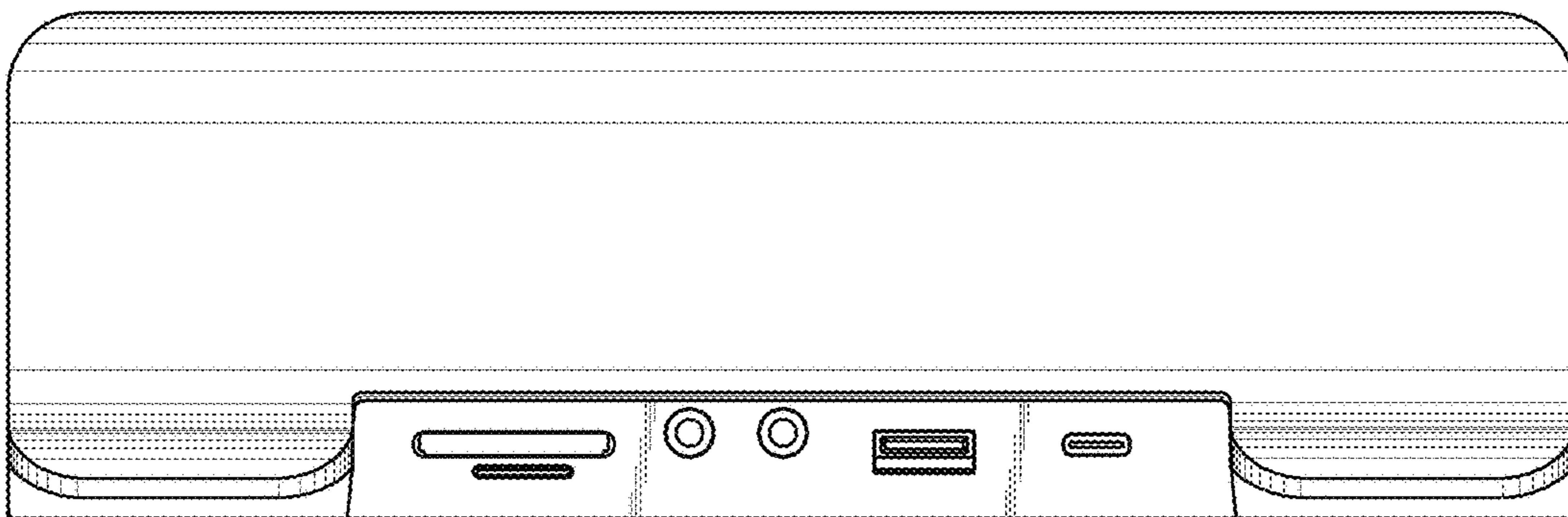


FIG. 2

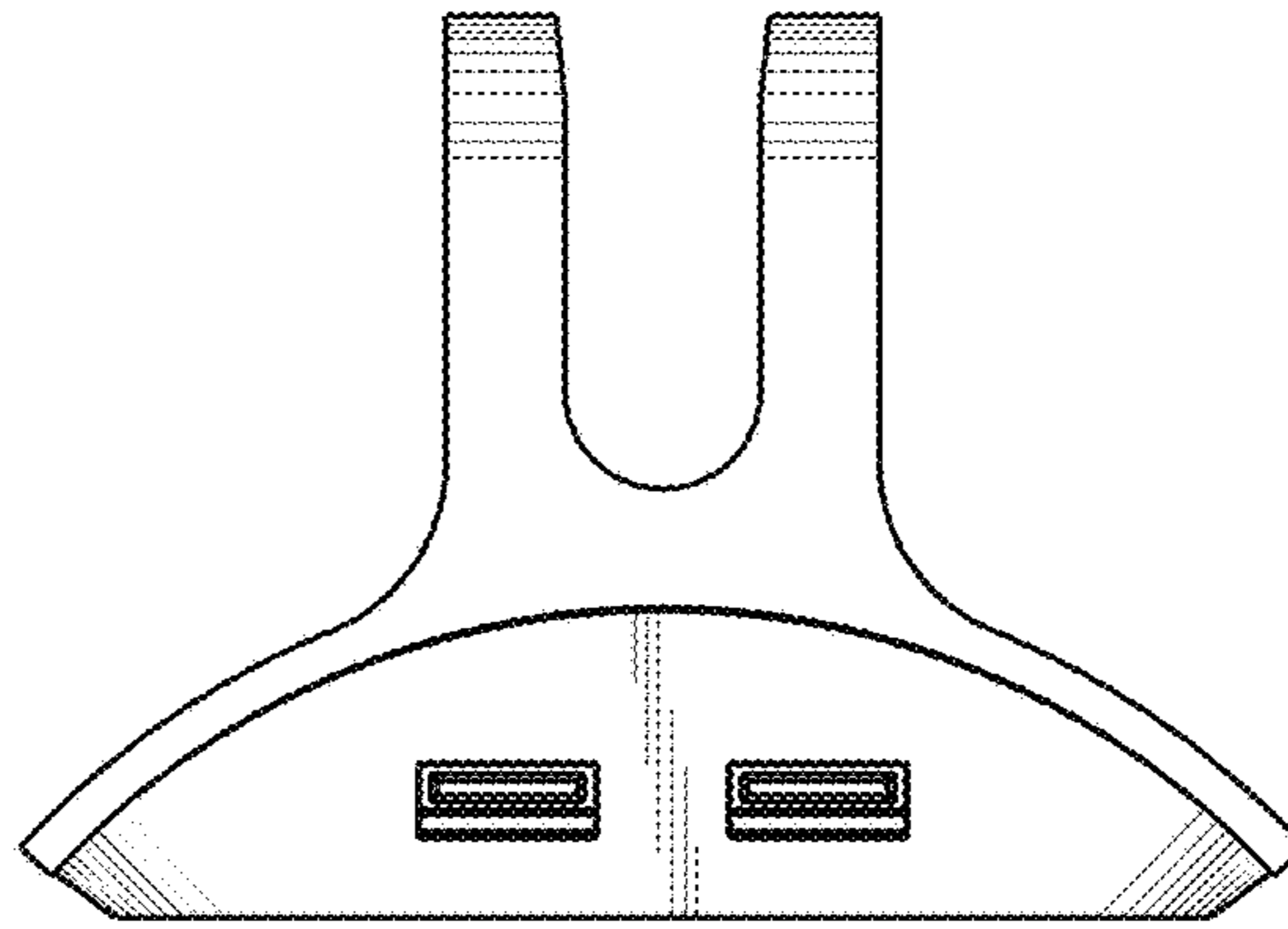


FIG.3

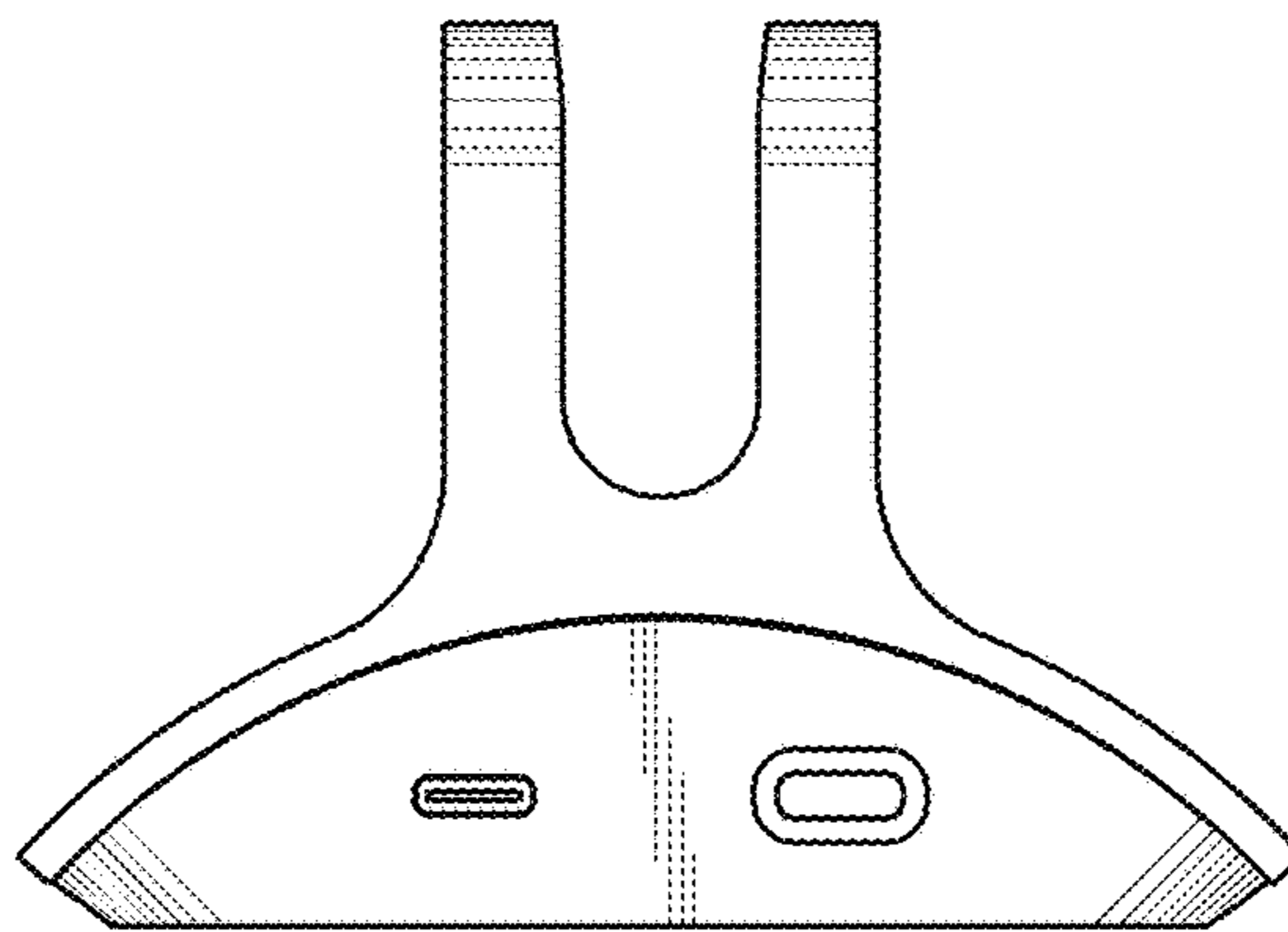


FIG.4

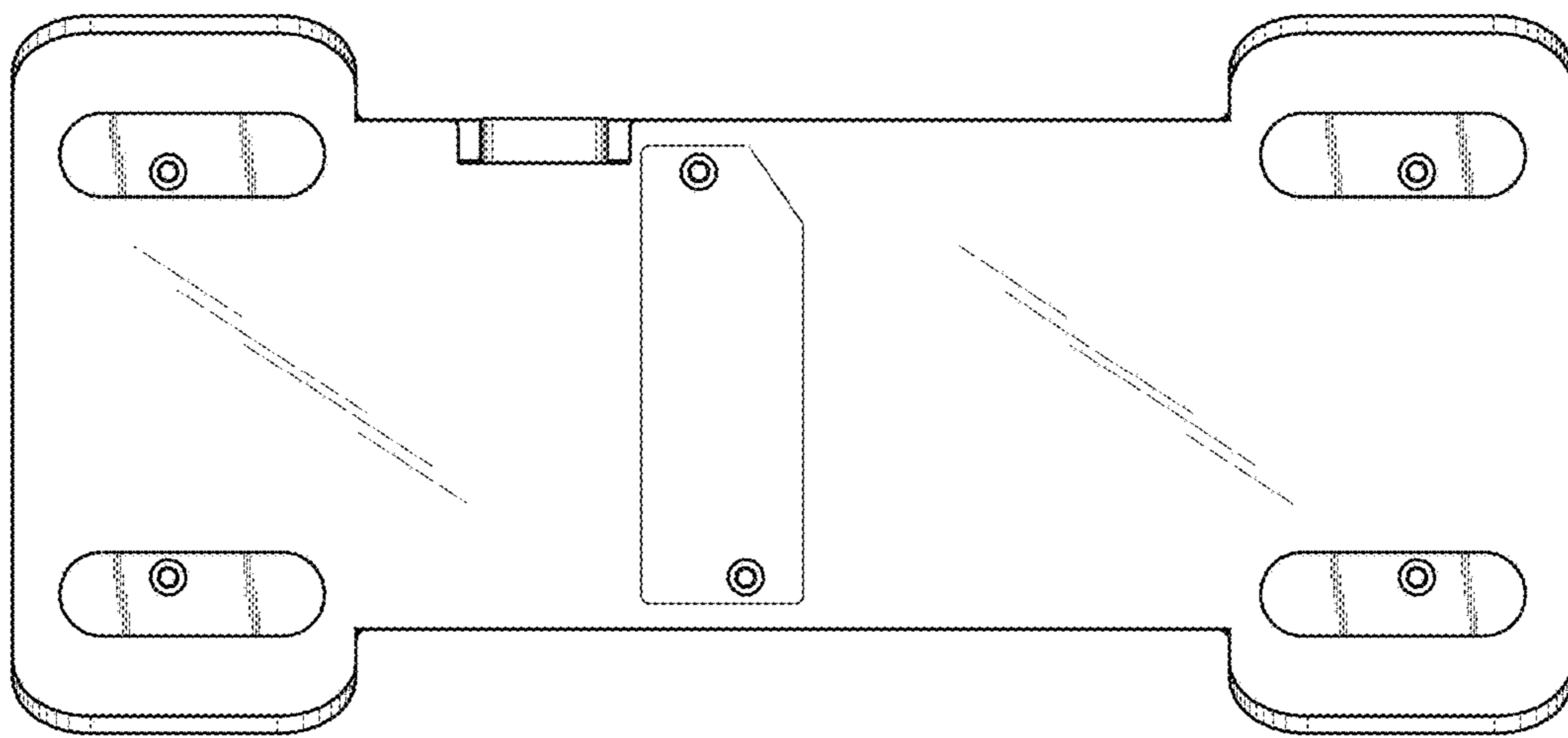


FIG. 5

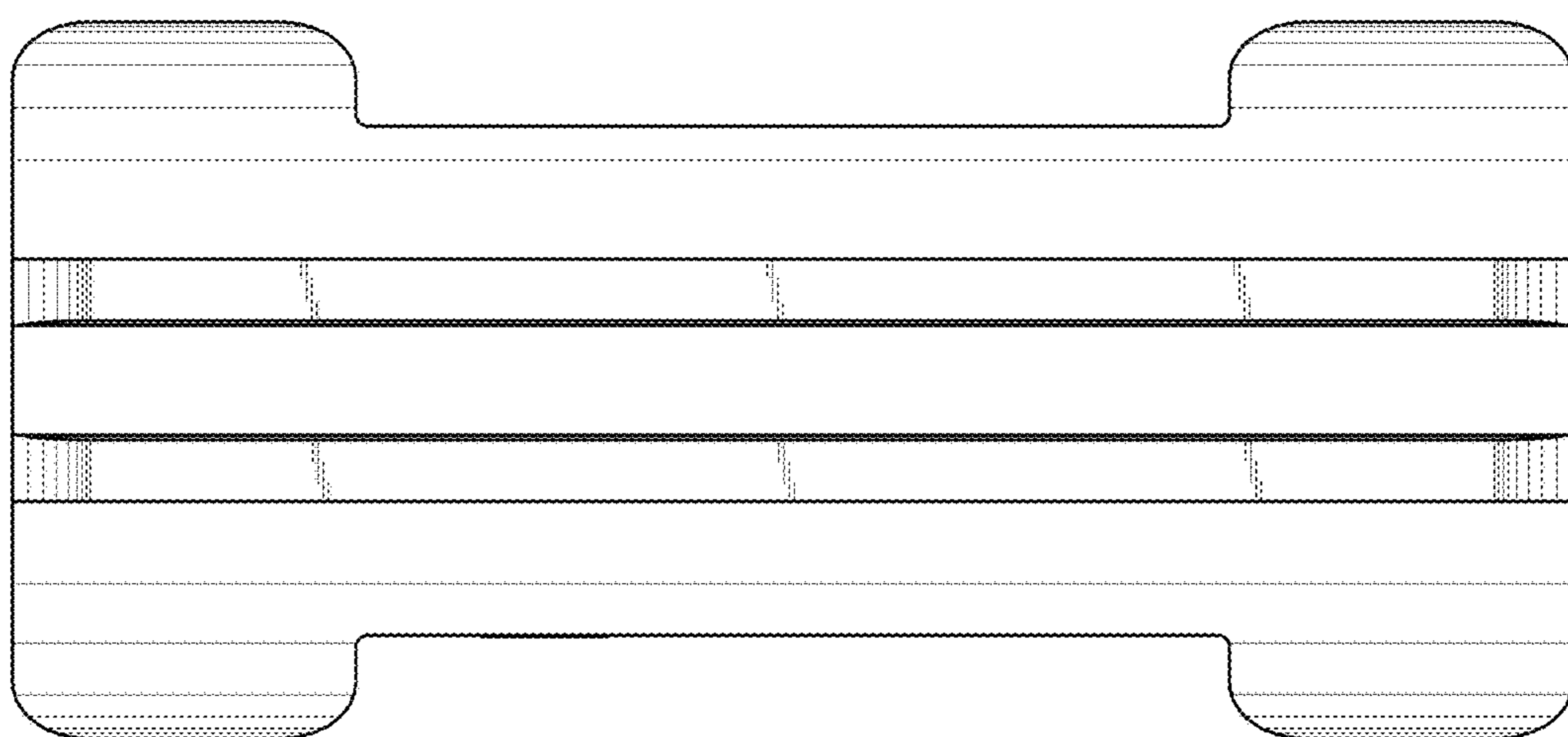


FIG. 6

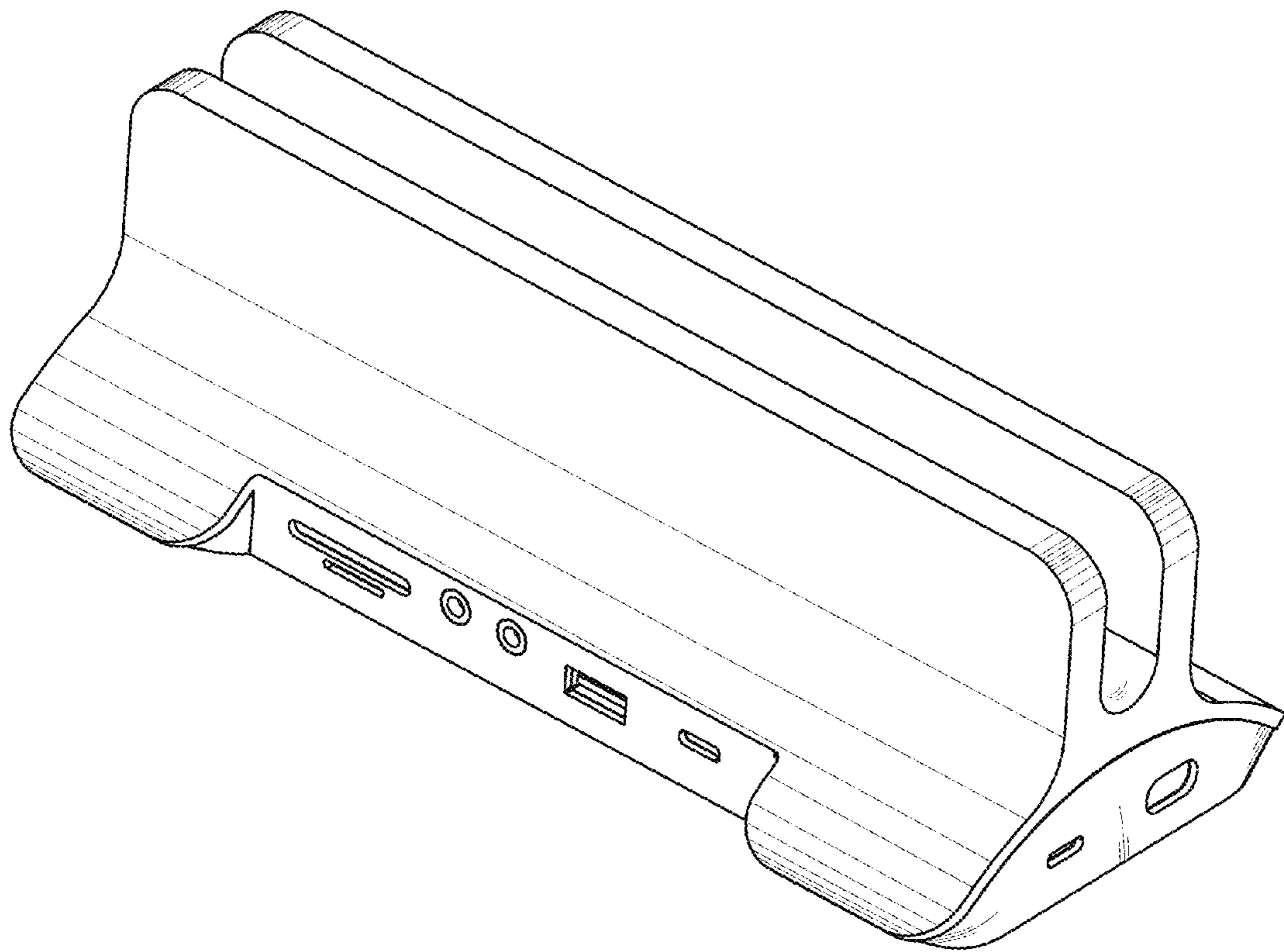


FIG.7