



US00D861691S

(12) **United States Design Patent**
Shibuya et al.

(10) **Patent No.:** **US D861,691 S**
(45) **Date of Patent:** **** Oct. 1, 2019**

(54) **SCANNER**

(71) Applicant: **PFU LIMITED**, Kahoku-shi, Ishikawa (JP)

(72) Inventors: **Motoshi Shibuya**, Kahoku (JP); **Satoshi Kuroda**, Kahoku (JP); **Shoya Ishida**, Kahoku (JP); **Yuka Saeki**, Kahoku (JP); **Norifumi Tonami**, Kahoku (JP)

(73) Assignee: **PFU LIMITED** (JP)

(**) Term: **15 Years**

(21) Appl. No.: **29/650,533**

(22) Filed: **Jun. 7, 2018**

(30) **Foreign Application Priority Data**

Dec. 26, 2017 (JP) 2017-029082

(51) **LOC (12) Cl.** **14-02**

(52) **U.S. Cl.**
USPC **D14/422**

(58) **Field of Classification Search**

USPC D14/421-425; D18/40, 36-39, 41, D18/44-56; 235/462, 455, 470, 462.43, 235/482, 483; 358/474, 486, 488, 496, 358/498, 452, 449, 451, 453.1, 1.13, 1.16; 318/685, 696; 355/81, 75; 399/405, 367, 399/379, 380; 382/217; 715/209, 222, 715/226, 274; 400/613, 613.1-613.4, 400/690.1-690.4, 691-694; 271/264, 271/127, 131, 117, 118, 162

CPC H04N 1/00; H04N 1/12; H04N 1/00013; H04N 1/00015; H04N 1/00018; H04N 1/00026; H04N 1/00557; H04N 1/00564; H04N 1/00567; H04N 1/0057; H04N 1/00572; H04N 1/00586; H04N 1/00588; H04N 1/00591; H04N 1/00594; H04N 1/00596; H04N 1/00604; H04N 1/00519; H04N 1/00559; H04N 1/1013; H04N 1/10; H04N 1/00278; H04N 2201/0081;

H04N 2201/0456; H04N 2201/0446; H04N 2201/00; H04N 2201/0094; H04N 1/00525; H04N 1/0049; H04N 1/00493; H04N 1/00496; H04N 1/00527; H04N 1/0053; H04N 1/00533; H04N 1/00535; H04N 1/00538; H04N 1/00541; H04N 1/00543; H04N 1/00551; H04N 1/00037; H04N 1/00092; H04N 1/00702; H04N 1/02815;

(Continued)

(56) **References Cited**

U.S. PATENT DOCUMENTS

D713,845 S * 9/2014 Taniho D14/422
D844,004 S * 3/2019 Ishida D14/422

(Continued)

FOREIGN PATENT DOCUMENTS

JP D1569082 S 5/2017

Primary Examiner — Susan Moon Lee

(74) *Attorney, Agent, or Firm* — RatnerPrestia

(57) **CLAIM**

The ornamental design for a scanner, as shown and described.

DESCRIPTION

FIG. 1 is a perspective view of a scanner showing our new design;

FIG. 2 is a front view thereof;

FIG. 3 is a rear view thereof;

FIG. 4 is a right side view thereof;

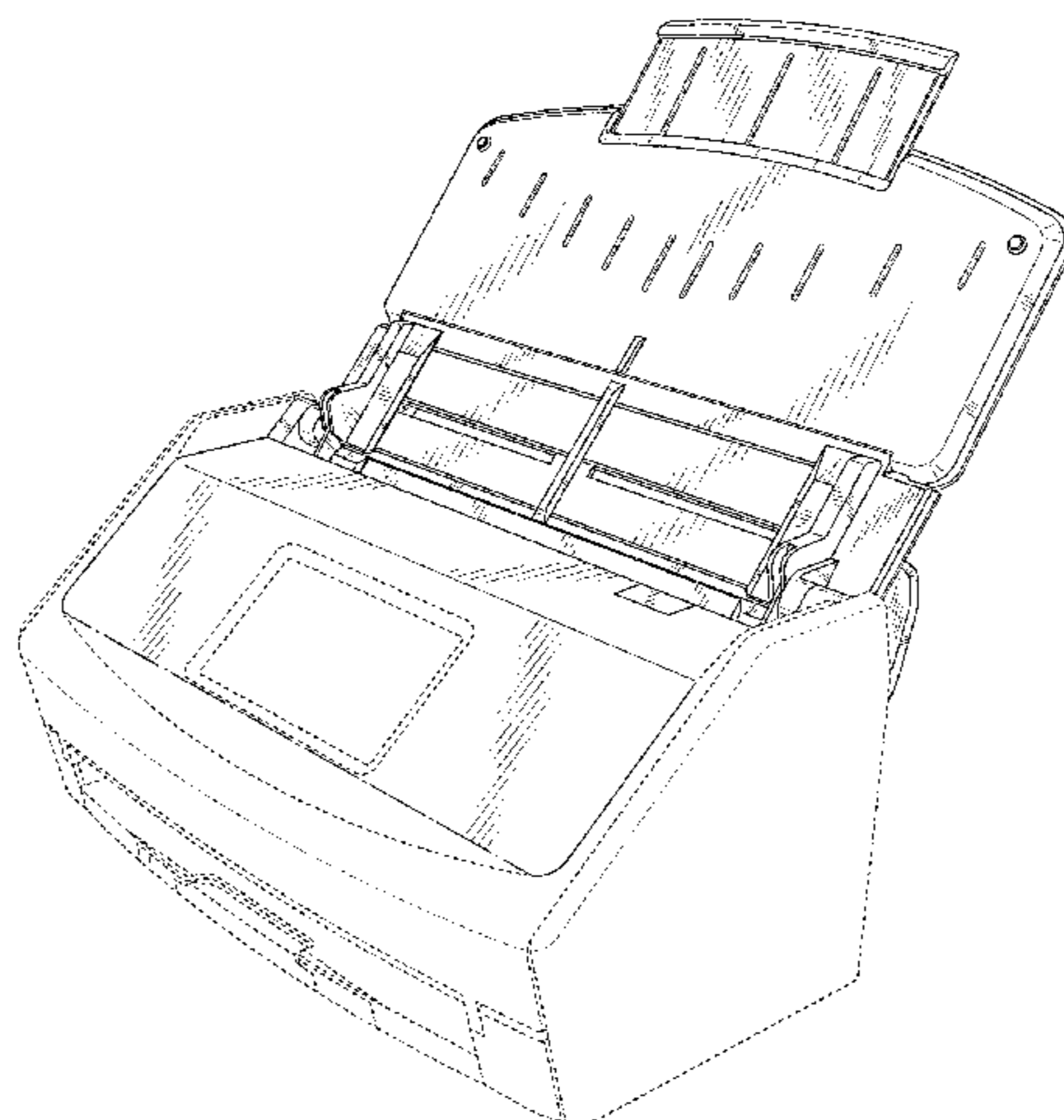
FIG. 5 is a left side view thereof;

FIG. 6 is a top plan view thereof; and,

FIG. 7 is a bottom plan view thereof.

The broken lines in the drawings are for the purpose of illustrating unclaimed portions of the scanner and form no part of the claimed design.

1 Claim, 7 Drawing Sheets



(58) **Field of Classification Search**

CPC H04N 1/4076; H04N 1/40056; H04N
1/02845; G03G 15/0142; G03G 15/605;
G03G 15/602; B65H 5/26; B65H 5/30;
B65H 7/00; B65H 2402/515; B65H
2402/31; B65H 2511/20; B65H 2511/414;
B65H 2511/00194; B65H 2511/00198;
B65H 2511/00202; B65H 2511/00206;
B65H 2301/00; B65H 2220/04; B65H
3/5261; B65H 2513/42

See application file for complete search history.

(56) **References Cited**

U.S. PATENT DOCUMENTS

2013/0134667 A1* 5/2013 Nakayama B65H 5/06
271/275
2013/0135697 A1* 5/2013 Ukai B65H 3/5238
358/498
2013/0163056 A1* 6/2013 Hanayama H04N 1/00013
358/474
2014/0054850 A1* 2/2014 Umi B65H 5/00
271/264
2017/0267476 A1* 9/2017 Miyagi H04N 1/00602
2017/0279991 A1* 9/2017 Shiota B65H 3/06
2018/0007221 A1* 1/2018 Mokuo H04N 1/00602
2018/0170695 A1* 6/2018 Kitsuki B65H 1/02
2018/0176398 A1* 6/2018 Harada B65H 29/70
2018/0179006 A1* 6/2018 Kogi B65H 3/063
2018/0194579 A1* 7/2018 Harada B65H 3/063

* cited by examiner

FIG. 1

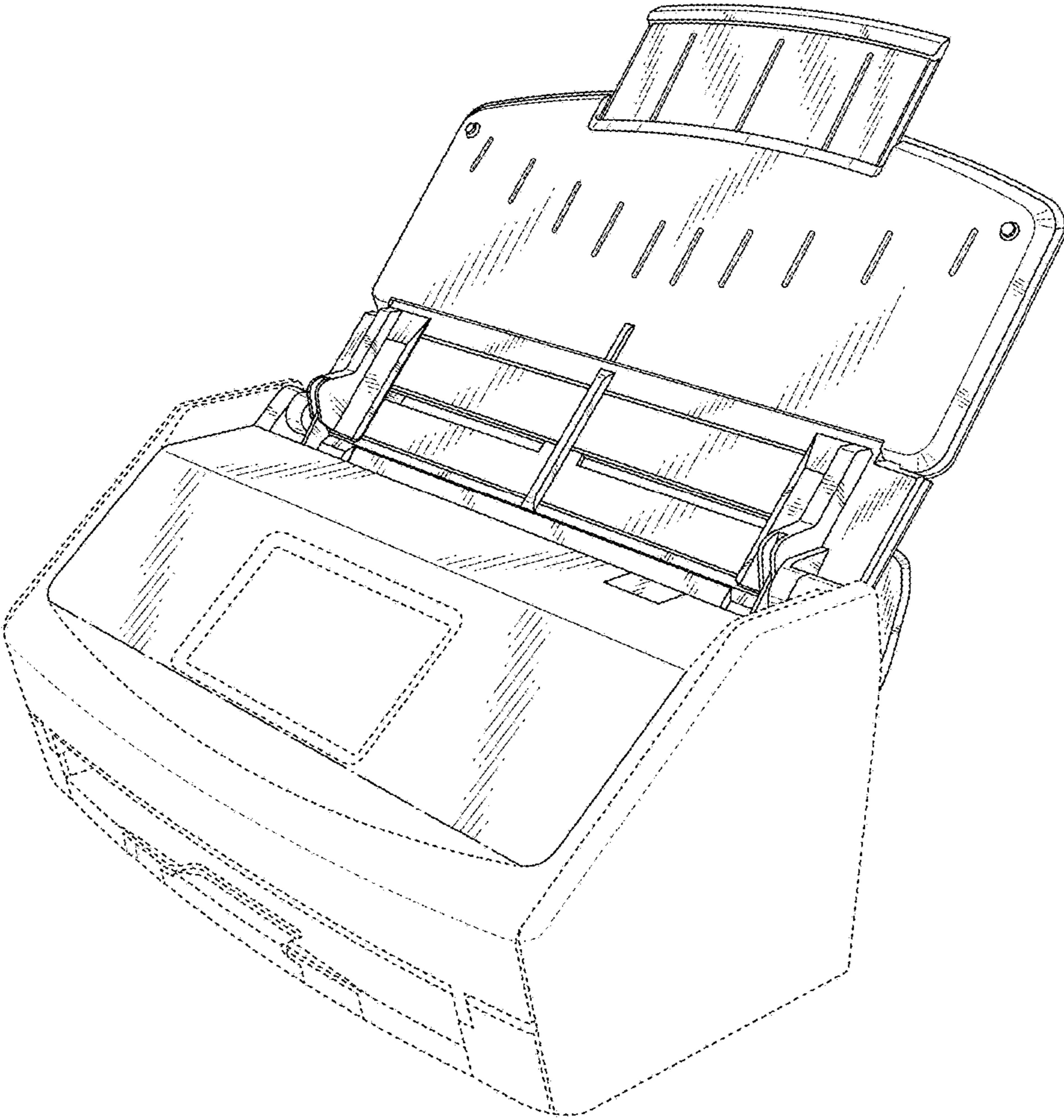


FIG. 2

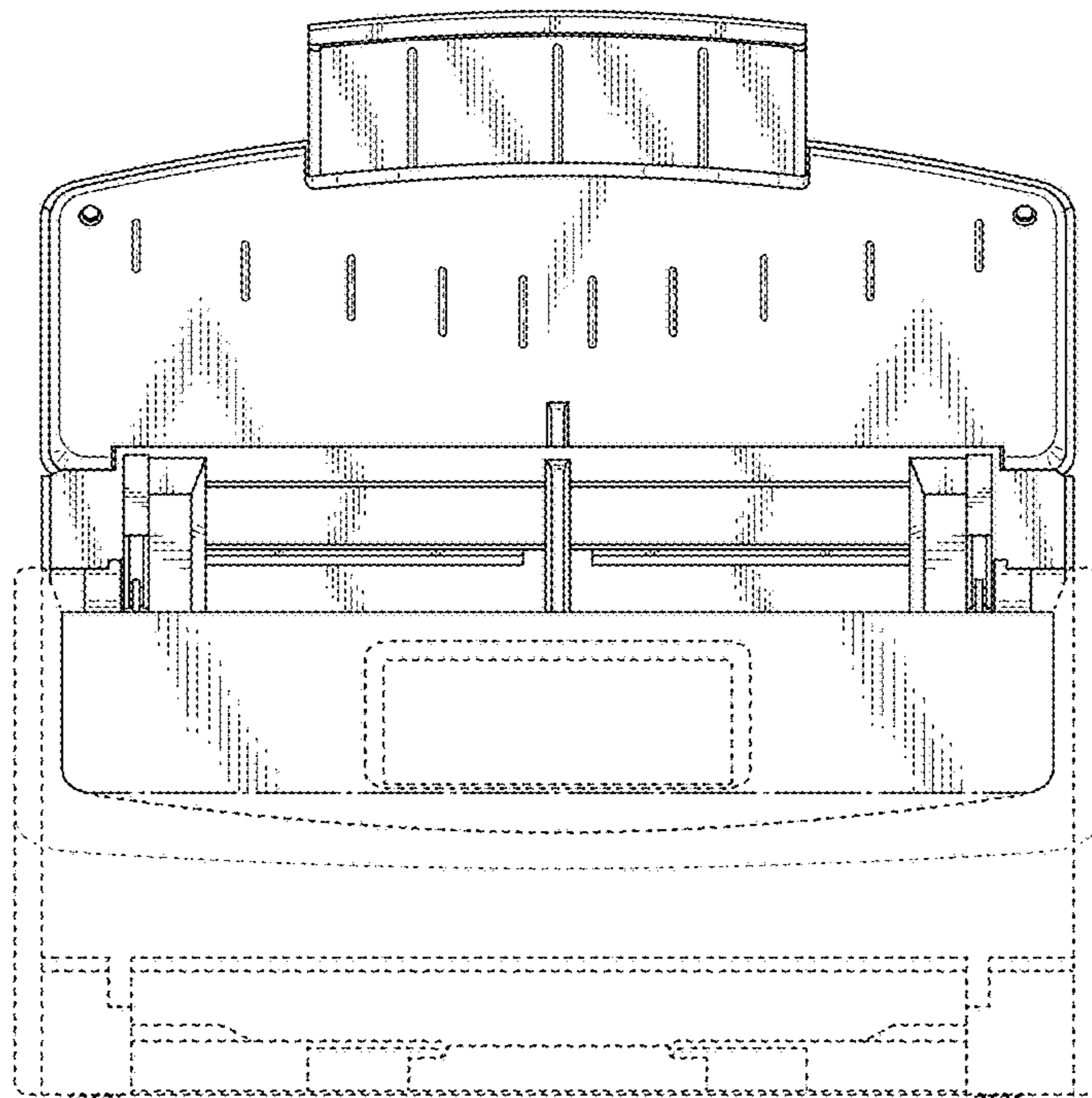


FIG. 3

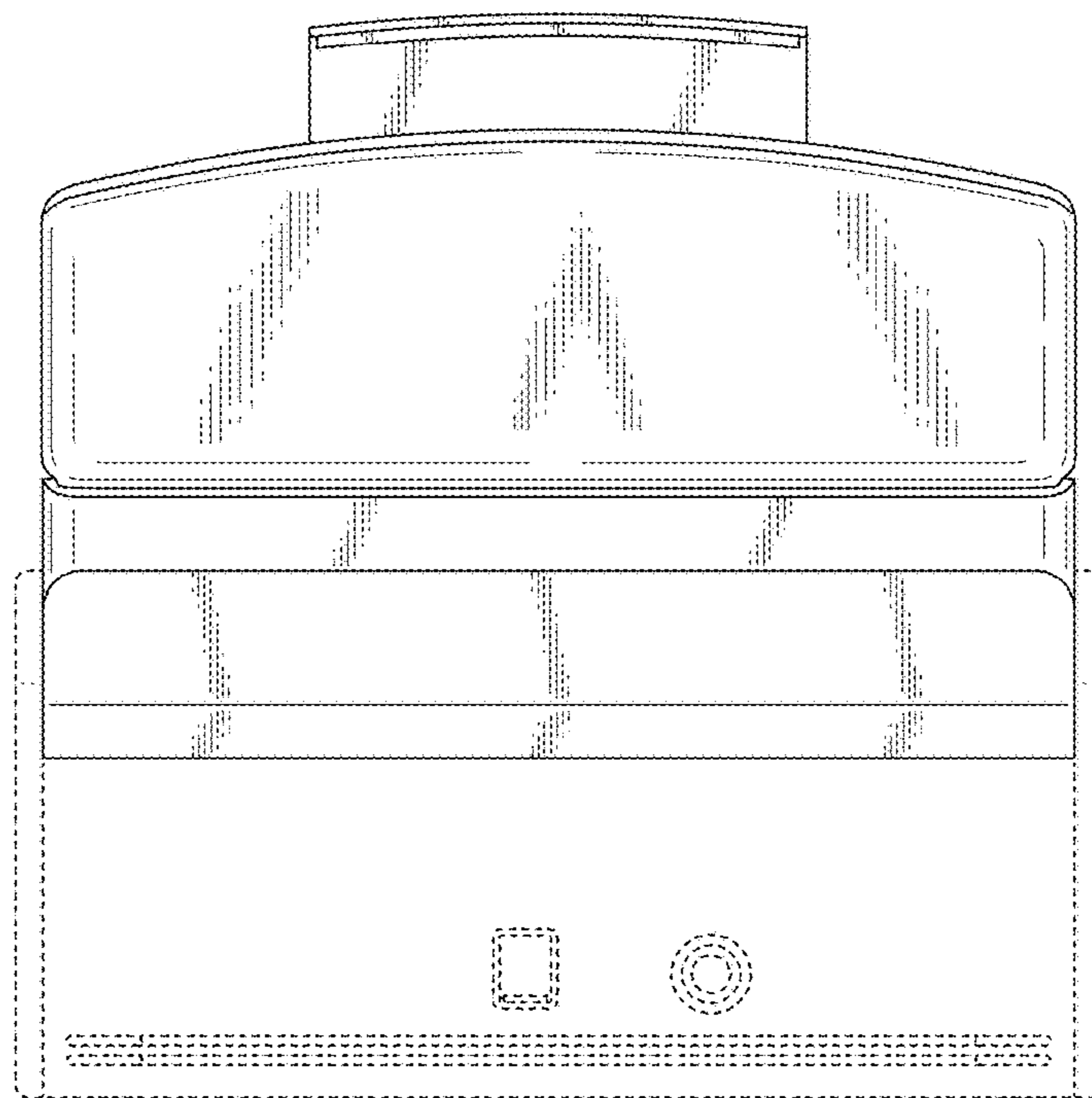


FIG. 4

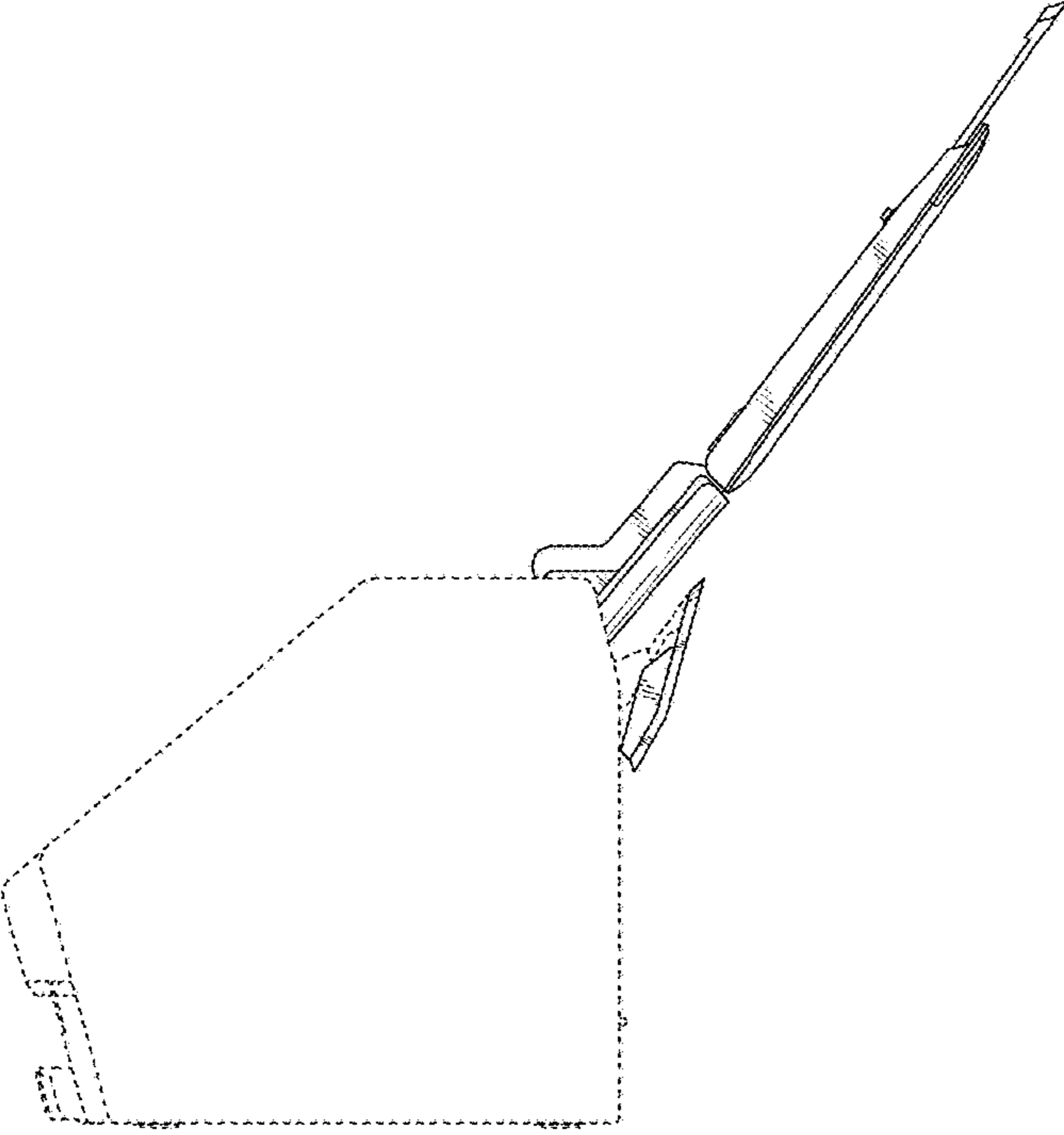


FIG. 5

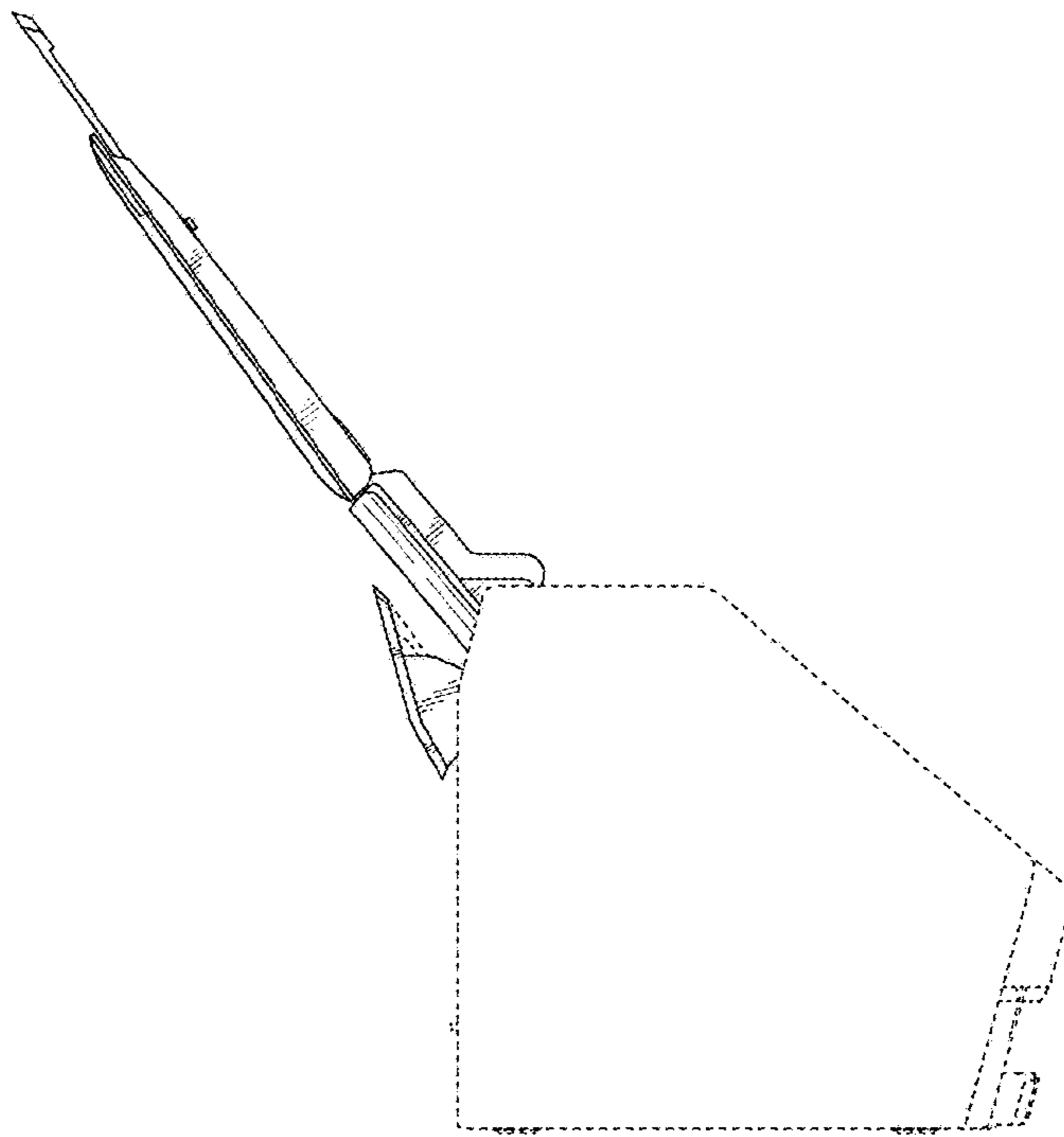


FIG. 6

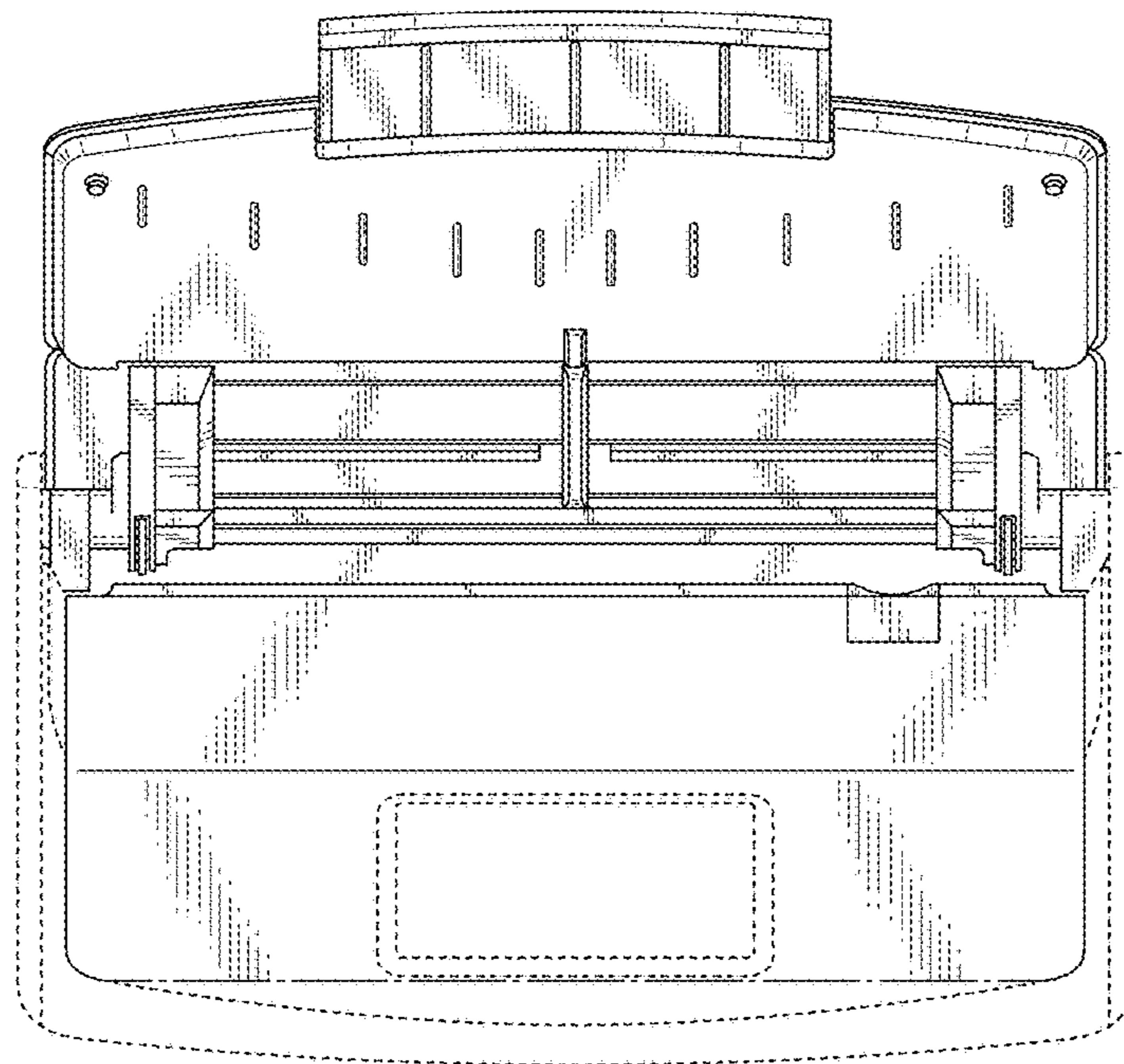


FIG. 7

