



US00D861687S

(12) **United States Design Patent** (10) **Patent No.:** **US D861,687 S**
Mitchell (45) **Date of Patent:** **** Oct. 1, 2019**

(54) **ELECTRONIC PEN**
(71) Applicant: **Wacom Co., Ltd.**, Kazo-shi, Saitama (JP)
(72) Inventor: **Giles Thomas Mitchell**, Setagaya-ku (JP)
(73) Assignee: **Wacom Co., Ltd.**, Kazo-shi (JP)
(**) Term: **15 Years**
(21) Appl. No.: **29/635,860**

D812,057 S * 3/2018 Lehman D14/411
D812,058 S * 3/2018 Lehman D14/411
D812,059 S * 3/2018 Lehman D14/411
D812,060 S * 3/2018 Lehman D14/411
D832,255 S * 10/2018 Jung D14/411

FOREIGN PATENT DOCUMENTS

EM 002306829-0001 9/2013
JP D1223237 S 11/2004
JP D1329461 S 5/2008
JP D1594674 S 1/2018

OTHER PUBLICATIONS

“Wacom Ballpoint Pen for Wacom Intuos Pro,” Wacom, <<https://us-store.wacom.com/Catalog/Accessories/Pens/wacom-ballpoint-pen-for-wacom-intuos-pro#/undefined>> [retrieved May 11, 2018], 2 pages.

* cited by examiner

Primary Examiner — Austin Murphy
(74) *Attorney, Agent, or Firm* — Christensen O’Connor Johnson Kindness PLLC

(30) **Foreign Application Priority Data**
Aug. 3, 2017 (JP) 2017-016797
(51) **LOC (12) Cl.** **14-02**
(52) **U.S. Cl.**
USPC **D14/411**
(58) **Field of Classification Search**
USPC D14/372, 496, 432, 371, 125, 126, 129,
D14/299, 411; D16/300–342; 351/158,
351/153, 144; 345/7–9, 905; 455/344;
348/115, 53, 121, 739
CPC G02B 27/017; G06F 3/016; G06F 3/033;
G06F 3/0317; G06F 3/03545; G06F
3/041; G06K 9/222
See application file for complete search history.

(57) **CLAIM**

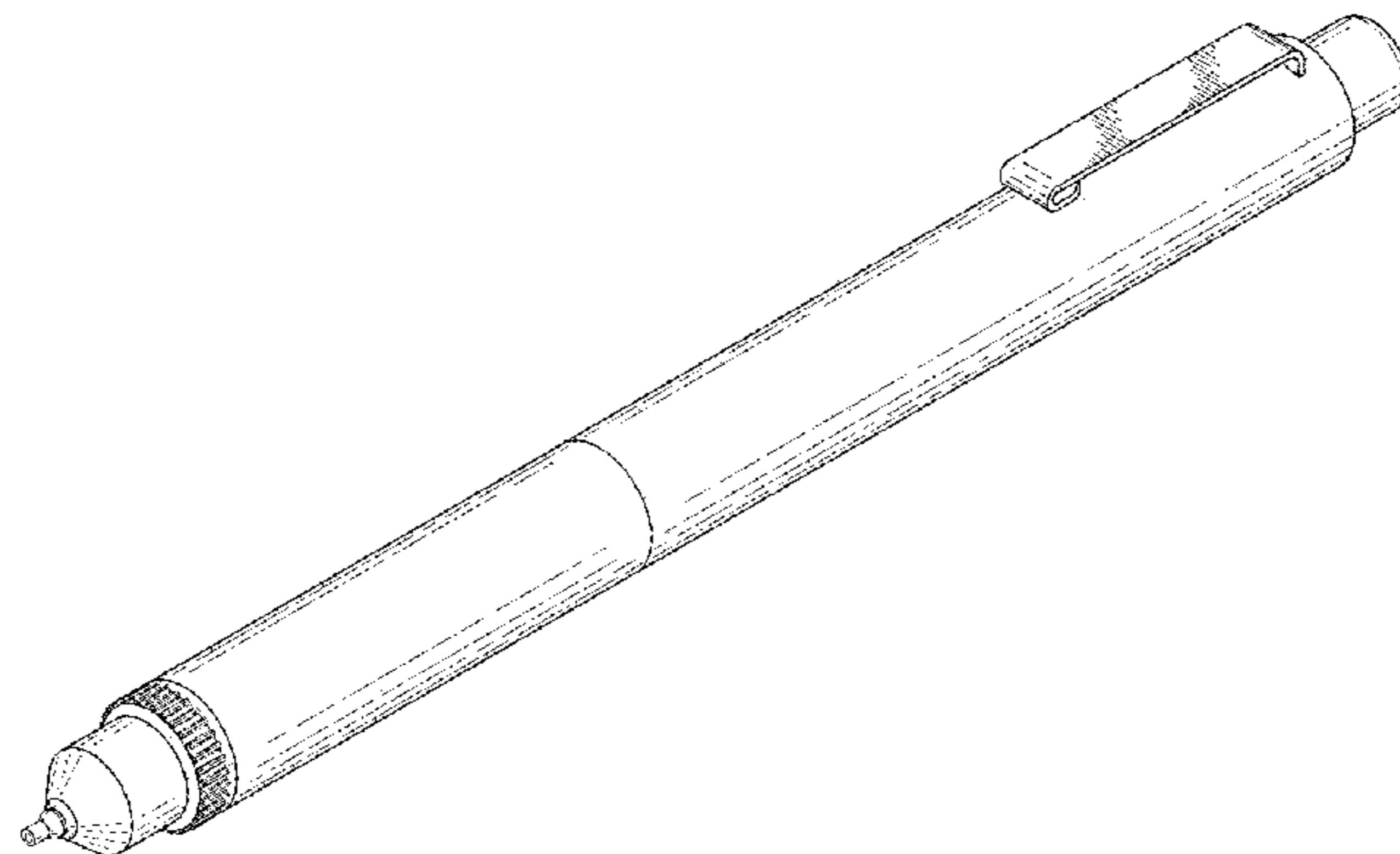
The ornamental design for an electronic pen, as shown and described.

DESCRIPTION

FIG. 1 is a top-front-right perspective view of a representative embodiment of an electronic pen according to my new design;
FIG. 2 is a bottom-rear-left perspective view thereof;
FIG. 3 is a right side elevational view thereof, wherein the left side elevational view is a mirror image of the right side elevational view;
FIG. 4 is a top plan view thereof;
FIG. 5 is a bottom plan view thereof;
FIG. 6 is a front elevational view thereof; and,
FIG. 7 is a rear elevational view thereof.

1 Claim, 3 Drawing Sheets

(56) **References Cited**
U.S. PATENT DOCUMENTS
D669,896 S 10/2012 Nakata
D670,700 S 11/2012 Halsinger et al.
D708,616 S * 7/2014 Nakata D14/411
D725,112 S * 3/2015 Bo D14/411
D752,589 S * 3/2016 Zhang D14/411
D754,661 S * 4/2016 Nishizawa D14/411
D777,726 S * 1/2017 Nishizawa D14/411
D784,991 S * 4/2017 Chang D14/411
D797,741 S * 9/2017 Cebe D14/411
D811,402 S * 2/2018 Nishizawa D14/411



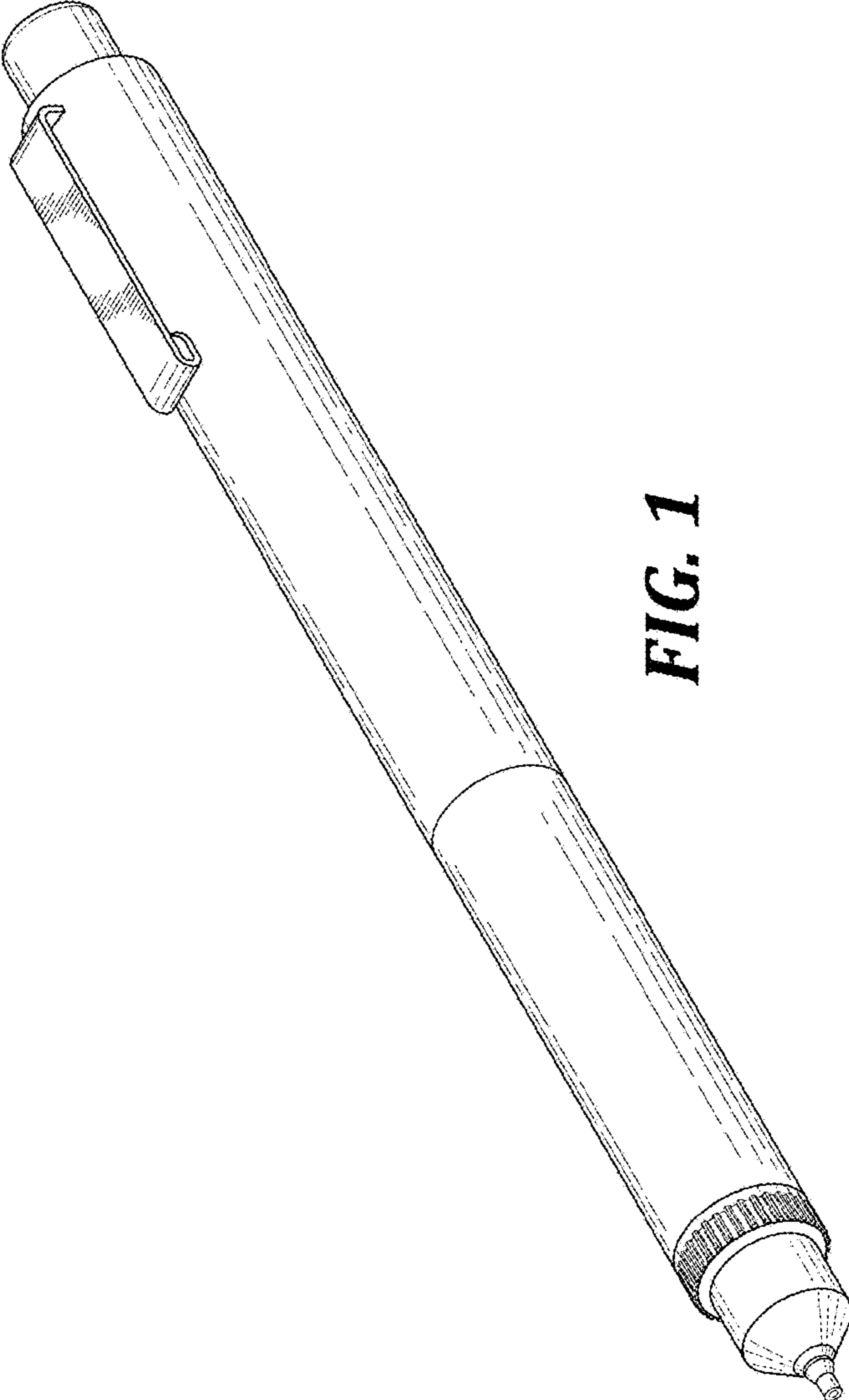


FIG. 1

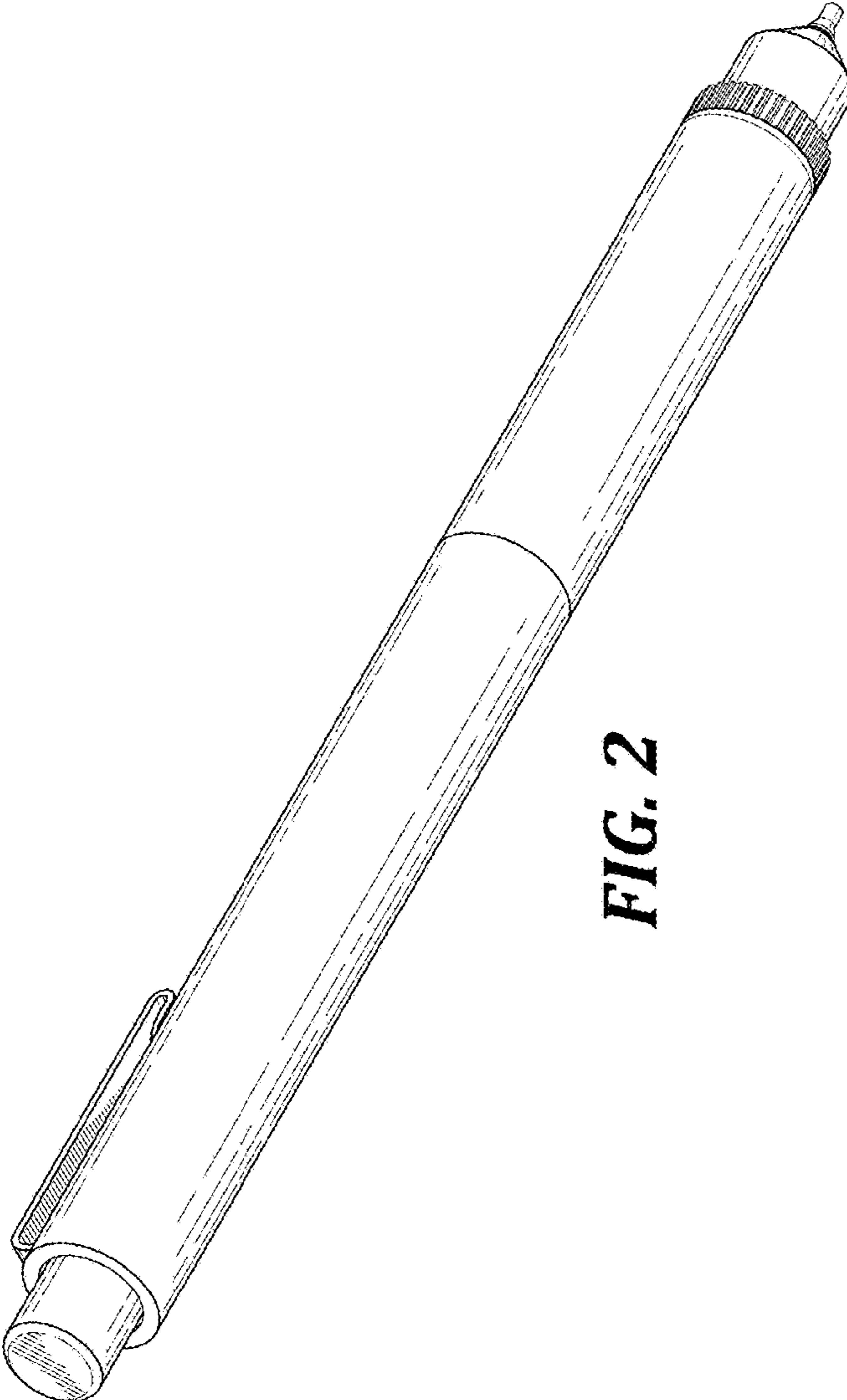


FIG. 2

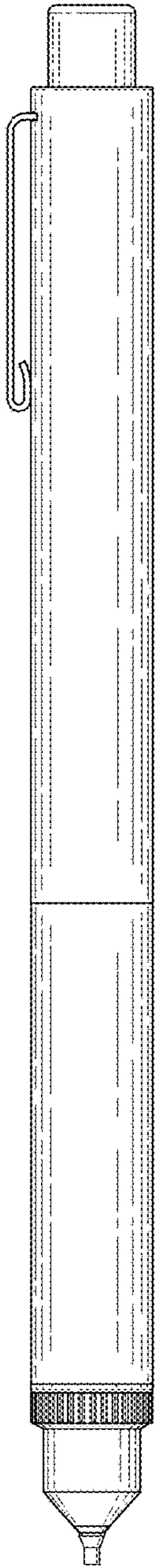


FIG. 3

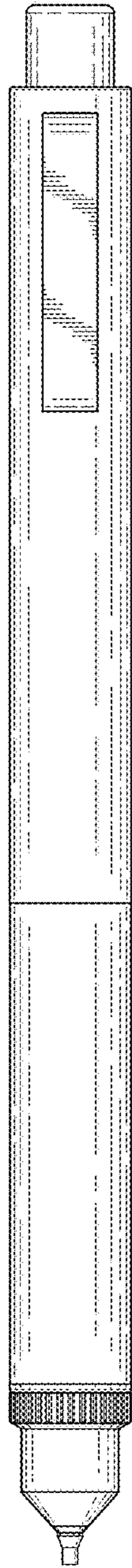


FIG. 4

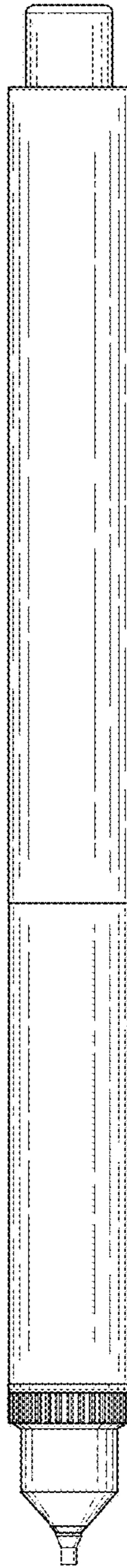


FIG. 5

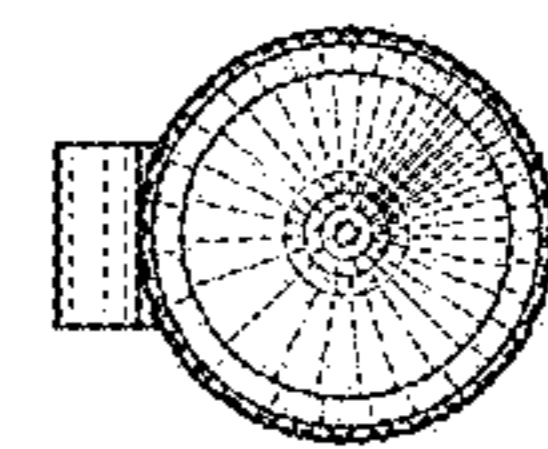


FIG. 6

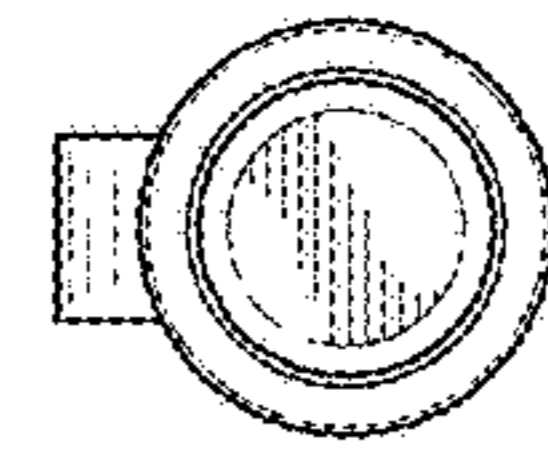


FIG. 7