



US00D861683S

(12) **United States Design Patent**  
**Chou et al.**

(10) **Patent No.:** **US D861,683 S**

(45) **Date of Patent:** **\*\* Oct. 1, 2019**

(54) **HEAD MOUNTED DISPLAY**

(71) Applicant: **Quanta Computer Inc.**, Taoyuan (TW)

(72) Inventors: **Yen-Chun Chou**, Taoyuan (TW);  
**Shih-Yun Lee**, Taoyuan (TW);  
**Gwo-Chyuan Chen**, Taoyuan (TW)

(73) Assignee: **QUANTA COMPUTER INC.**,  
Guishan Dist., Taoyuan (TW)

(\*\*) Term: **15 Years**

(21) Appl. No.: **29/655,646**

(22) Filed: **Jul. 5, 2018**

(30) **Foreign Application Priority Data**

May 22, 2018 (TW) ..... 107302873

(51) **LOC (12) Cl.** ..... **14-02**

(52) **U.S. Cl.**  
USPC ..... **D14/372**

(58) **Field of Classification Search**  
USPC ..... D14/372, 496, 432, 371, 125, 126, 129,  
D14/299; D16/300-342; 351/158, 153,  
351/144; 345/7-9, 905; 455/344;  
348/115, 53, 121, 739  
CPC ..... G02B 27/017; G02B 27/0158; G02B  
27/0161; G02B 27/0181; G02B 27/0185;  
G02B 27/0189

See application file for complete search history.

(56) **References Cited**

U.S. PATENT DOCUMENTS

D797,733 S *	9/2017	Lee .....	D14/372
D797,735 S *	9/2017	Fraser .....	D14/372
D798,862 S *	10/2017	Wang .....	D14/372
D800,727 S *	10/2017	Mullins .....	D14/372
D827,701 S *	9/2018	Nguyen .....	D16/309
D831,027 S *	10/2018	Kim .....	D14/372
D834,017 S *	11/2018	Beynel .....	D14/372
D836,629 S *	12/2018	Maffucci .....	D14/372
D840,398 S *	2/2019	Li .....	D14/372
D844,605 S *	4/2019	Yeh .....	D14/372

\* cited by examiner

*Primary Examiner* — Austin Murphy

(74) *Attorney, Agent, or Firm* — McClure, Qualey & Rodack, LLP

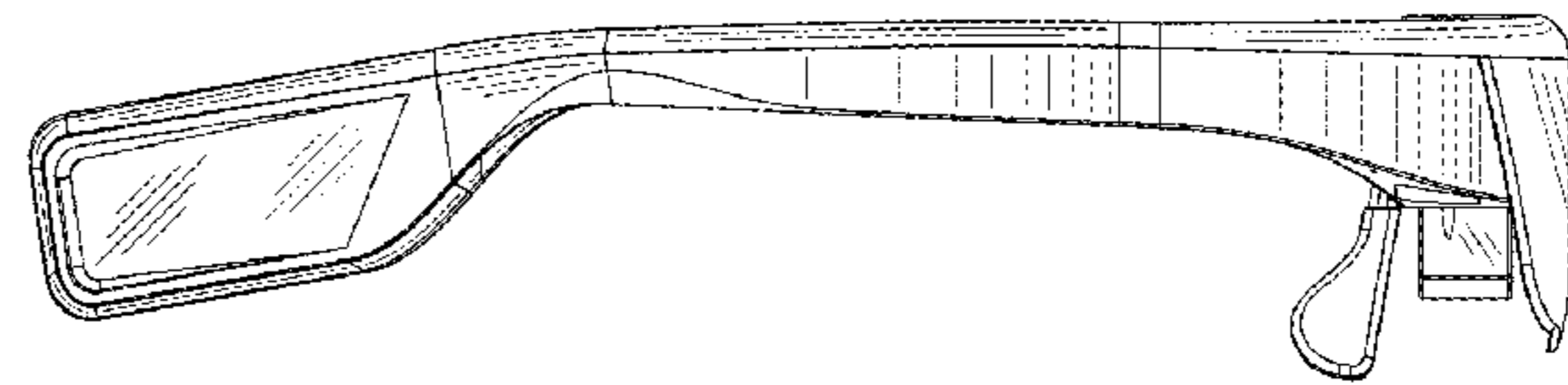
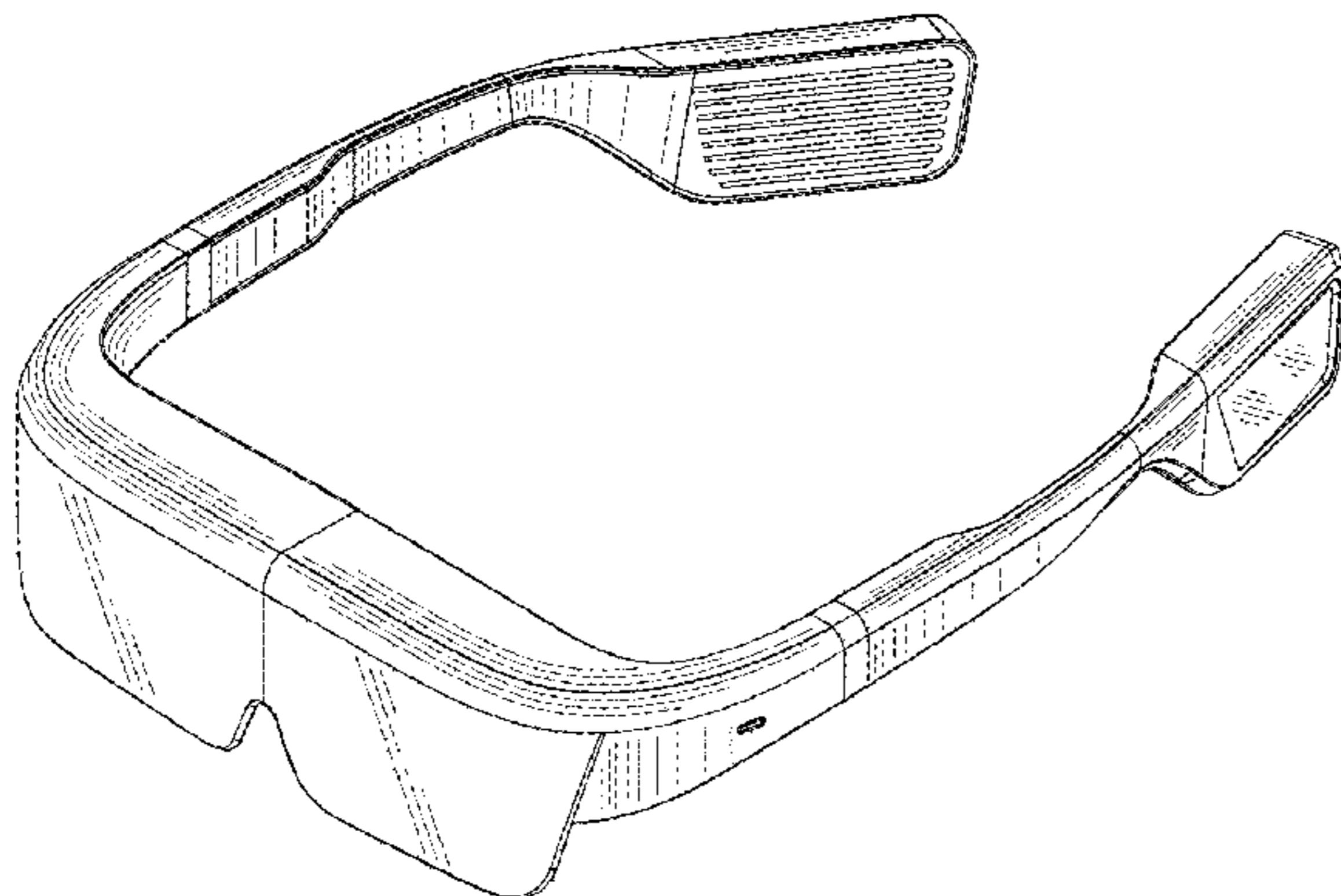
(57) **CLAIM**

The ornamental design for a head mounted display, as shown and described.

**DESCRIPTION**

FIG. 1 is a perspective view of a head mounted display showing our new design;  
FIG. 2 is a front view thereof;  
FIG. 3 is a rear view thereof;  
FIG. 4 is a left side view thereof;  
FIG. 5 is a right side view thereof;  
FIG. 6 is a top plan view thereof;  
FIG. 7 is a bottom plan view thereof; and,  
FIG. 8 is another perspective view thereof.

**1 Claim, 8 Drawing Sheets**



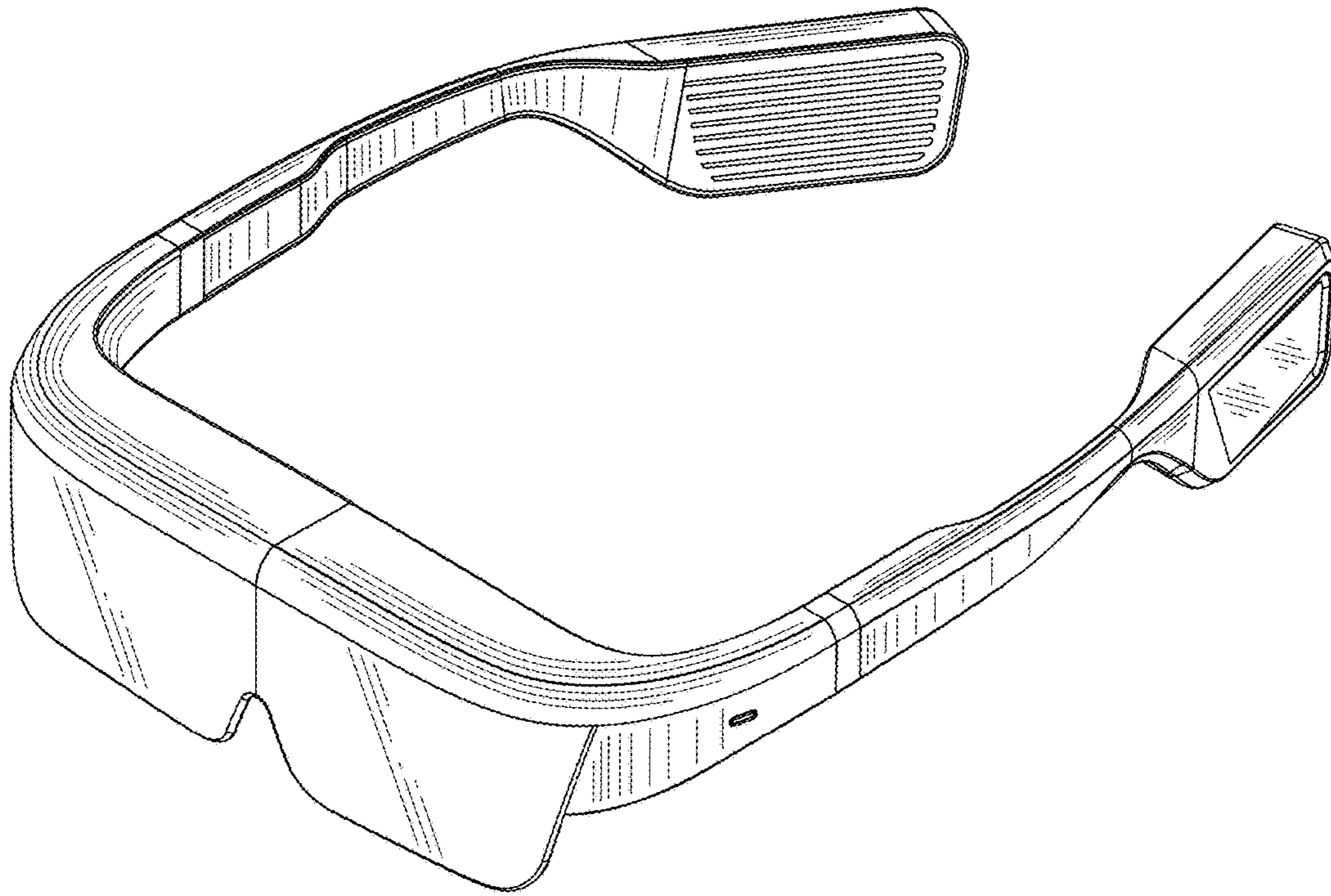


FIG. 1

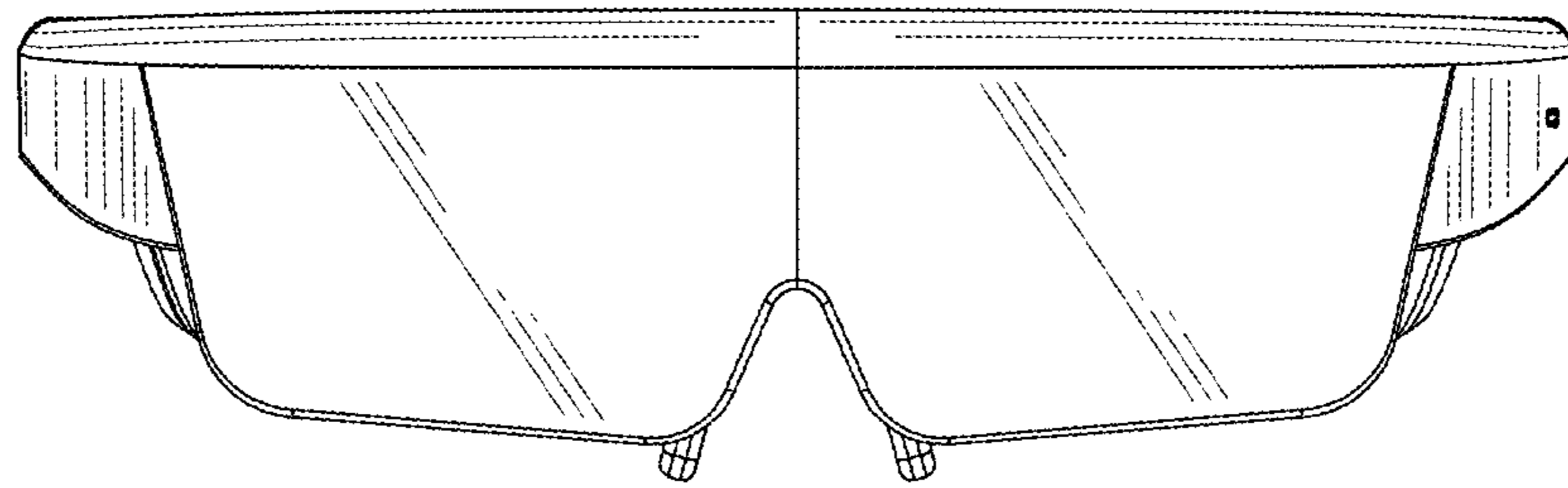


FIG. 2

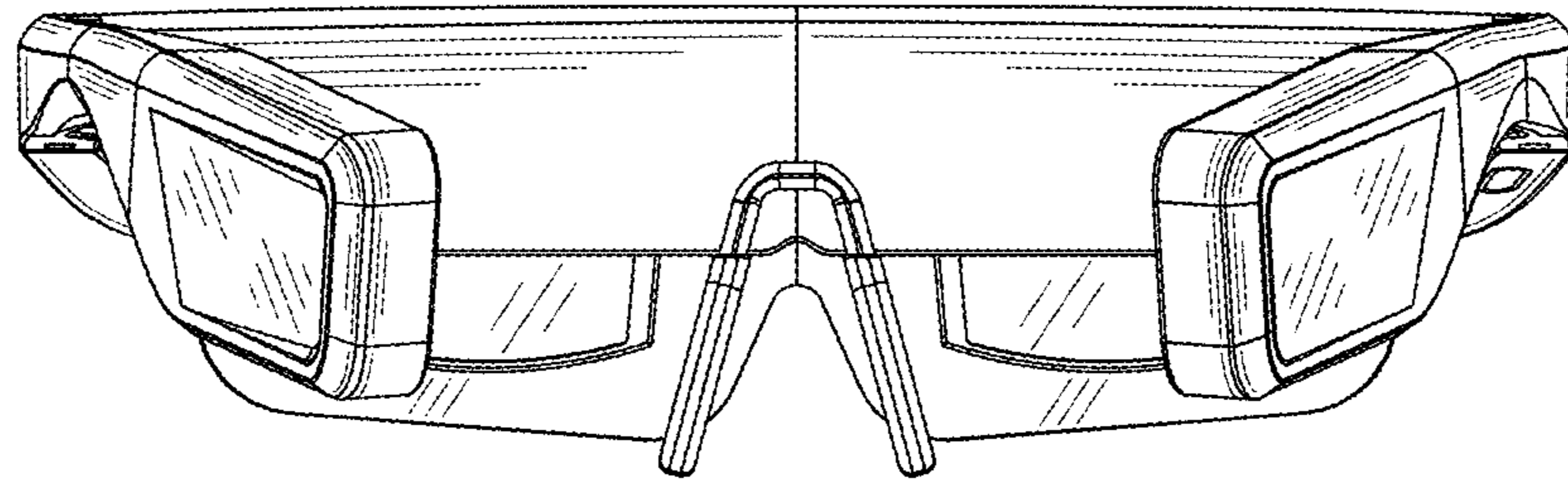


FIG. 3

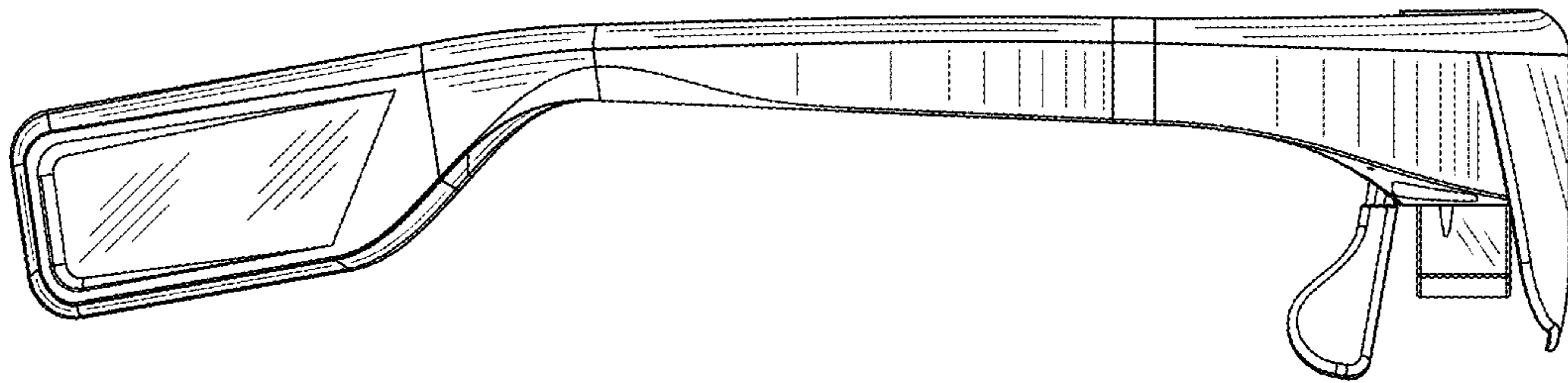


FIG. 4

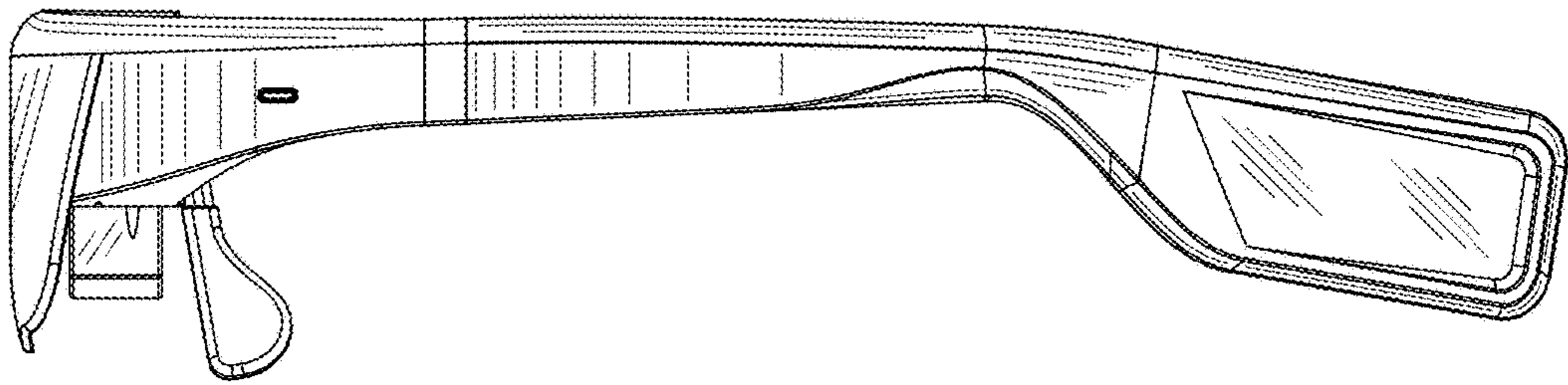


FIG. 5

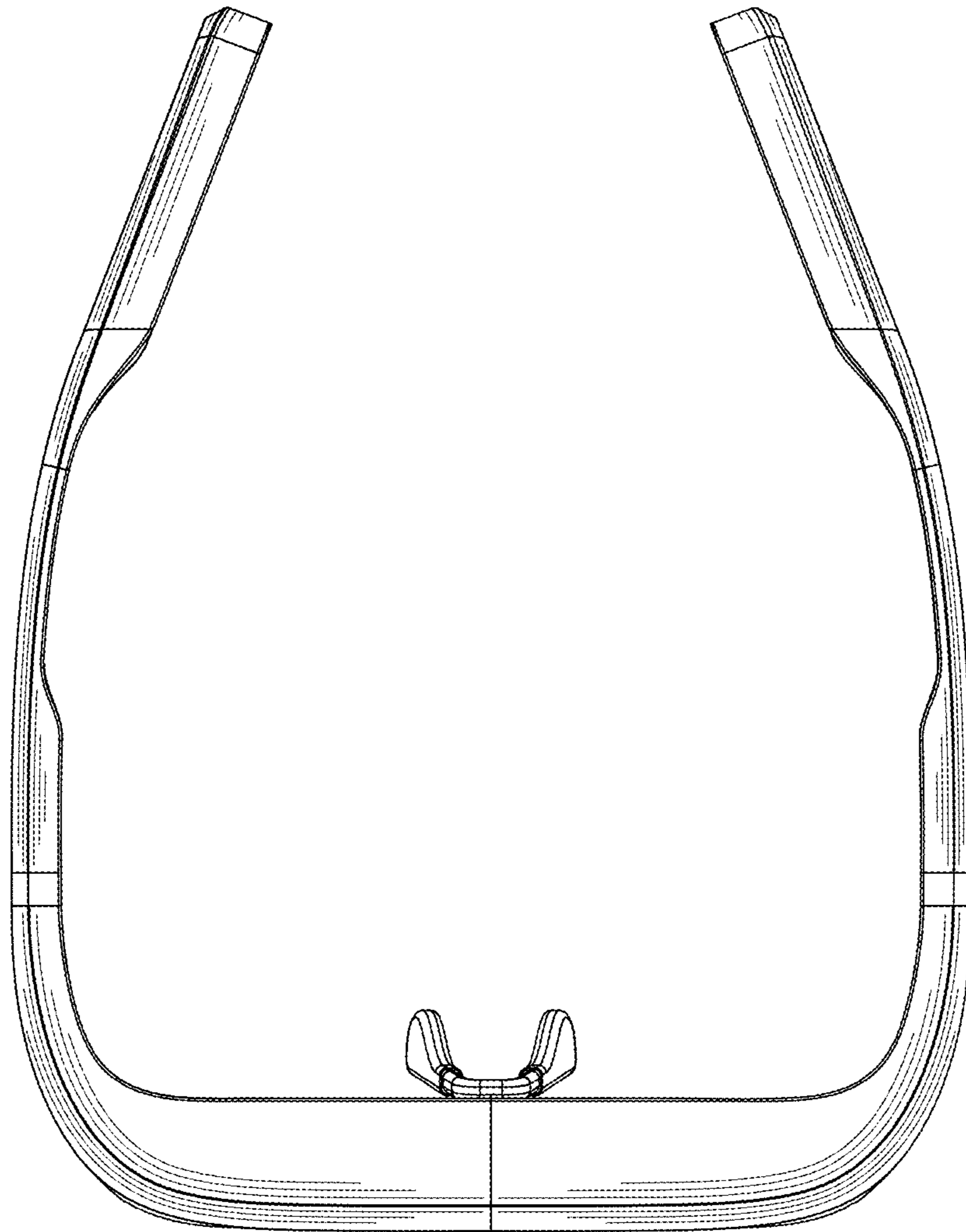


FIG. 6

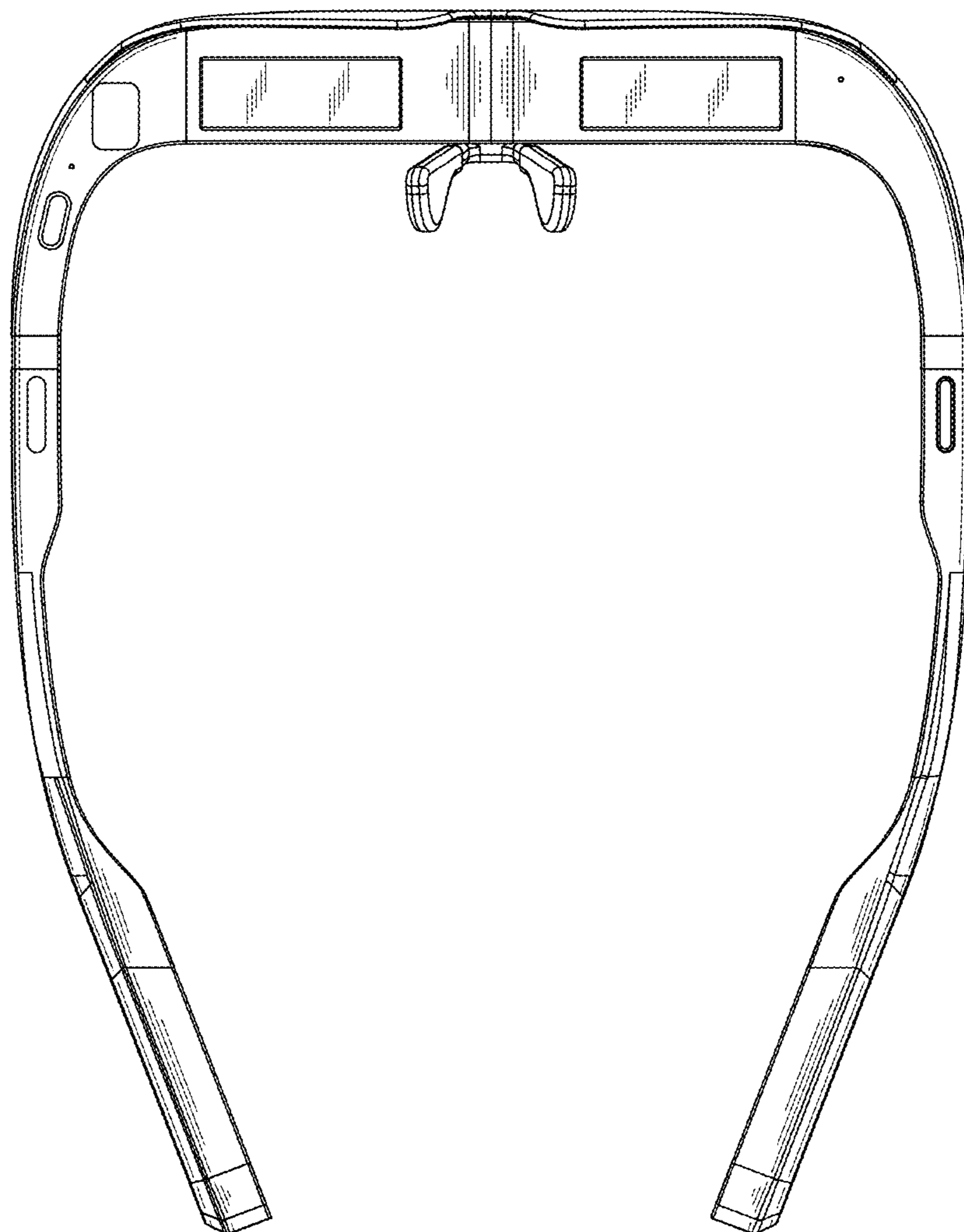


FIG. 7



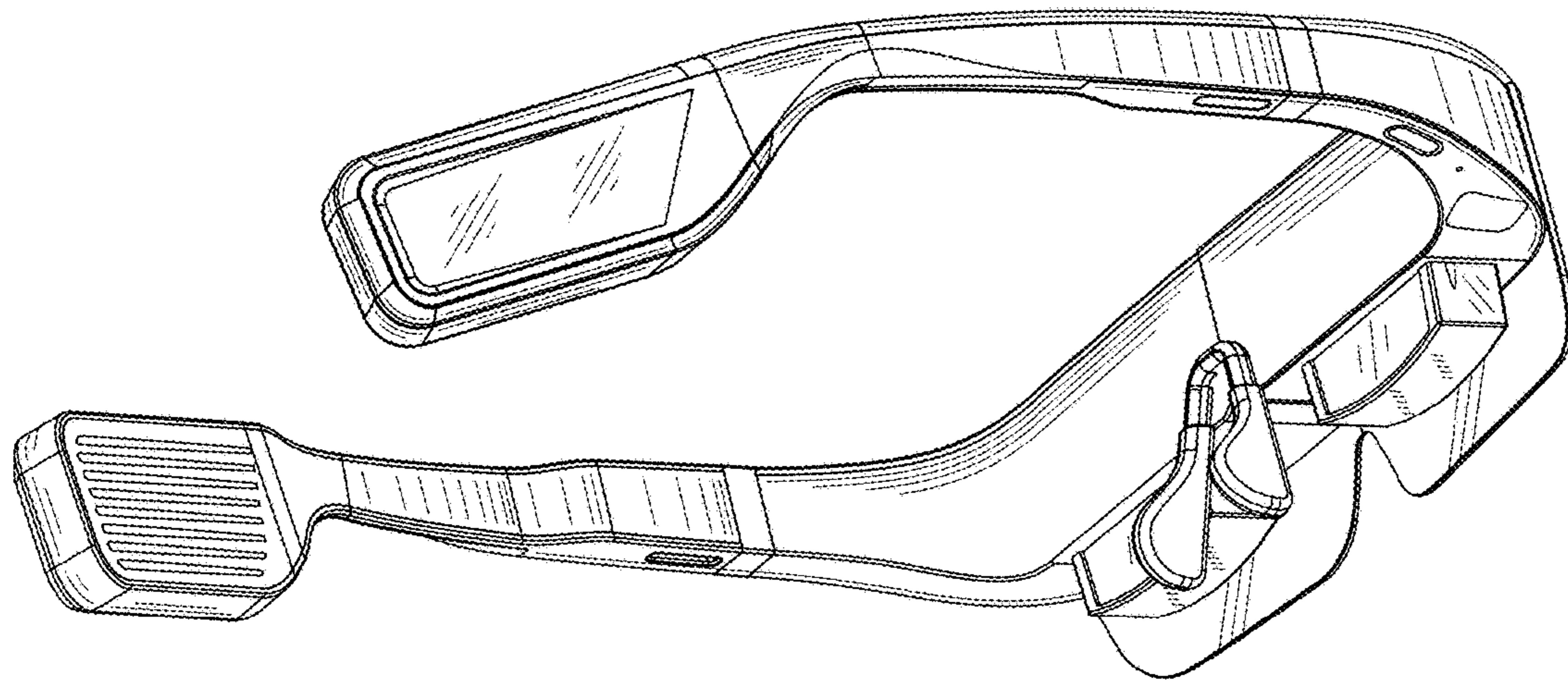


FIG. 8