

US00D861680S

(12) **United States Design Patent**
Chou et al.

(10) **Patent No.:** **US D861,680 S**
(45) **Date of Patent:** **** Oct. 1, 2019**

(54) **HEAD MOUNTED DISPLAY**
(71) Applicant: **Quanta Computer Inc.**, Taoyuan (TW)
(72) Inventors: **Yen-Chun Chou**, Taoyuan (TW);
Shih-Yun Lee, Taoyuan (TW);
Gwo-Chyuan Chen, Taoyuan (TW)
(73) Assignee: **QUANTA COMPUTER INC.**,
Taoyuan (TW)

(**) Term: **15 Years**
(21) Appl. No.: **29/623,285**
(22) Filed: **Oct. 24, 2017**

(30) **Foreign Application Priority Data**

Aug. 17, 2017 (TW) 106304729

(51) **LOC (12) Cl.** **14-02**

(52) **U.S. Cl.**
USPC **D14/372**

(58) **Field of Classification Search**
USPC D14/372, 496, 432, 371, 125, 126, 129,
D14/299; D16/300-342; 351/158, 153,
351/144; 345/7-9, 905; 455/344;
348/115, 53, 121, 739
CPC G02B 27/017; G02B 27/0158; G02B
27/0161; G02B 27/0181; G02B 27/0185;
G02B 27/0189

See application file for complete search history.

(56) **References Cited**

U.S. PATENT DOCUMENTS

D759,654 S * 6/2016 Sullivan D14/372
D773,460 S * 12/2016 Yang D14/372

D792,399 S * 7/2017 Thomas D14/372
D805,515 S * 12/2017 Bowes D14/372
D806,073 S * 12/2017 Li D14/372
9,857,839 B1 * 1/2018 Bristol G06F 1/163
D810,743 S * 2/2018 Yee D14/372
D815,637 S * 4/2018 Li D14/372
D822,659 S * 7/2018 Spio D14/372
D822,661 S * 7/2018 Robertson D14/372
D831,029 S * 10/2018 Gu D14/372
D835,102 S * 12/2018 Raffle D14/372

* cited by examiner

Primary Examiner — Austin Murphy

(74) *Attorney, Agent, or Firm* — McClure, Qualey &
Rodack, LLP

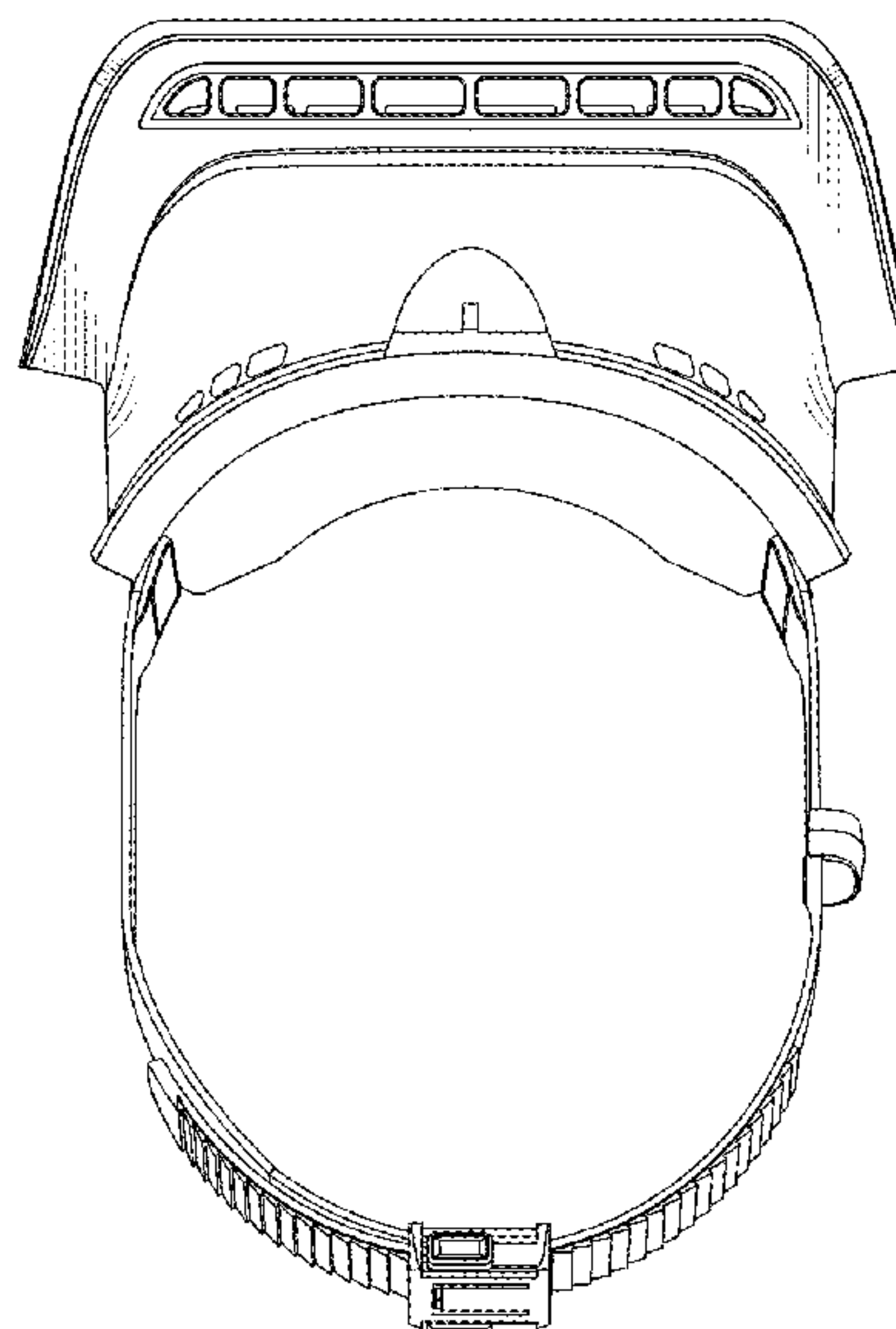
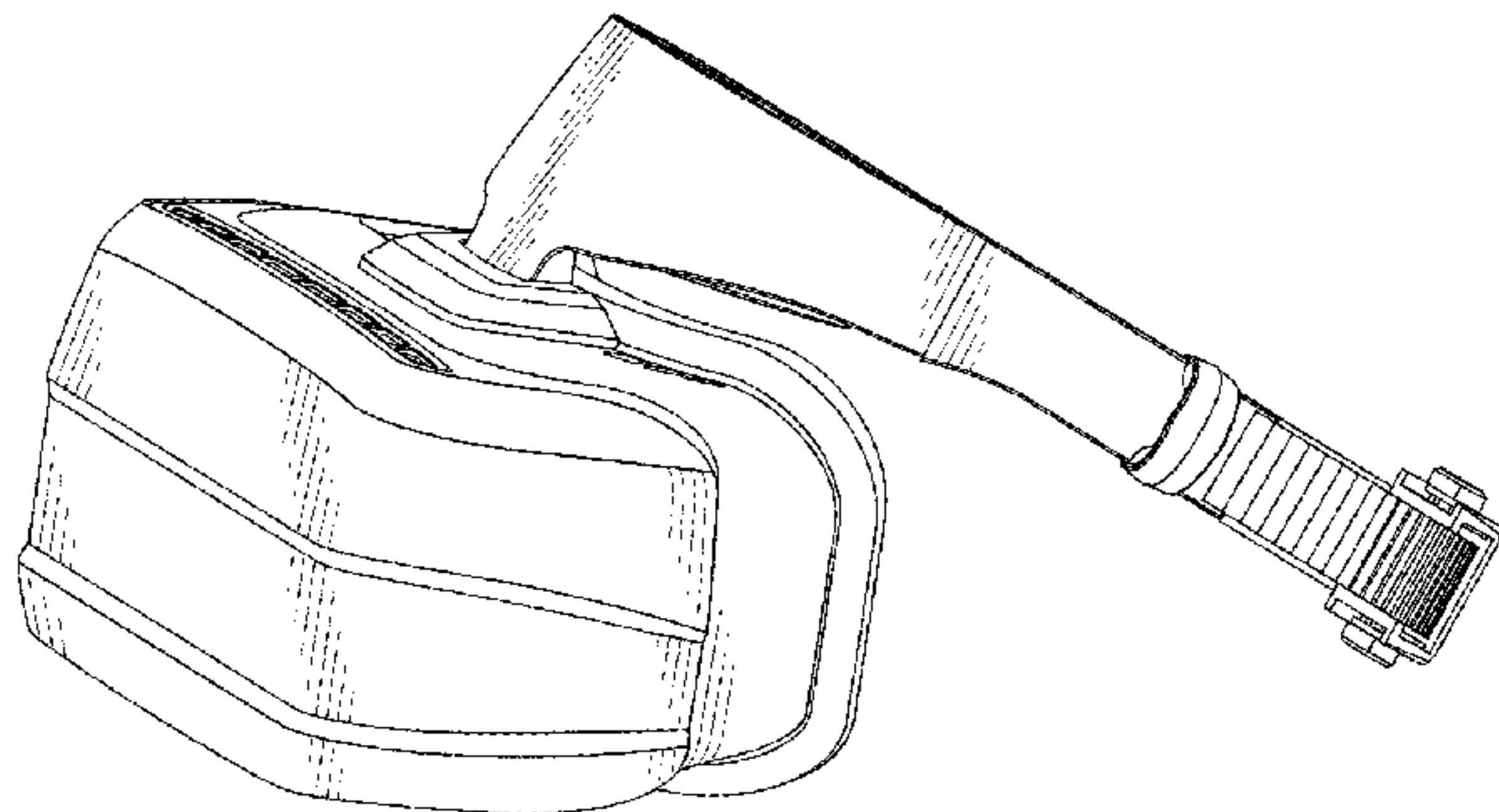
(57) **CLAIM**

The ornamental design for head mounted display, as shown
and described.

DESCRIPTION

FIG. 1 is a front perspective view of a head mounted display
in accordance with our new design;
FIG. 2 is a front view thereof;
FIG. 3 is a rear view thereof;
FIG. 4 is a left side view thereof;
FIG. 5 is a right side view thereof;
FIG. 6 is a top plan view thereof; and,
FIG. 7 is a bottom plan view thereof.
The broken lines depict portions of a head mounted display,
in which the design is embodied and form no part of the
claimed design.

1 Claim, 7 Drawing Sheets



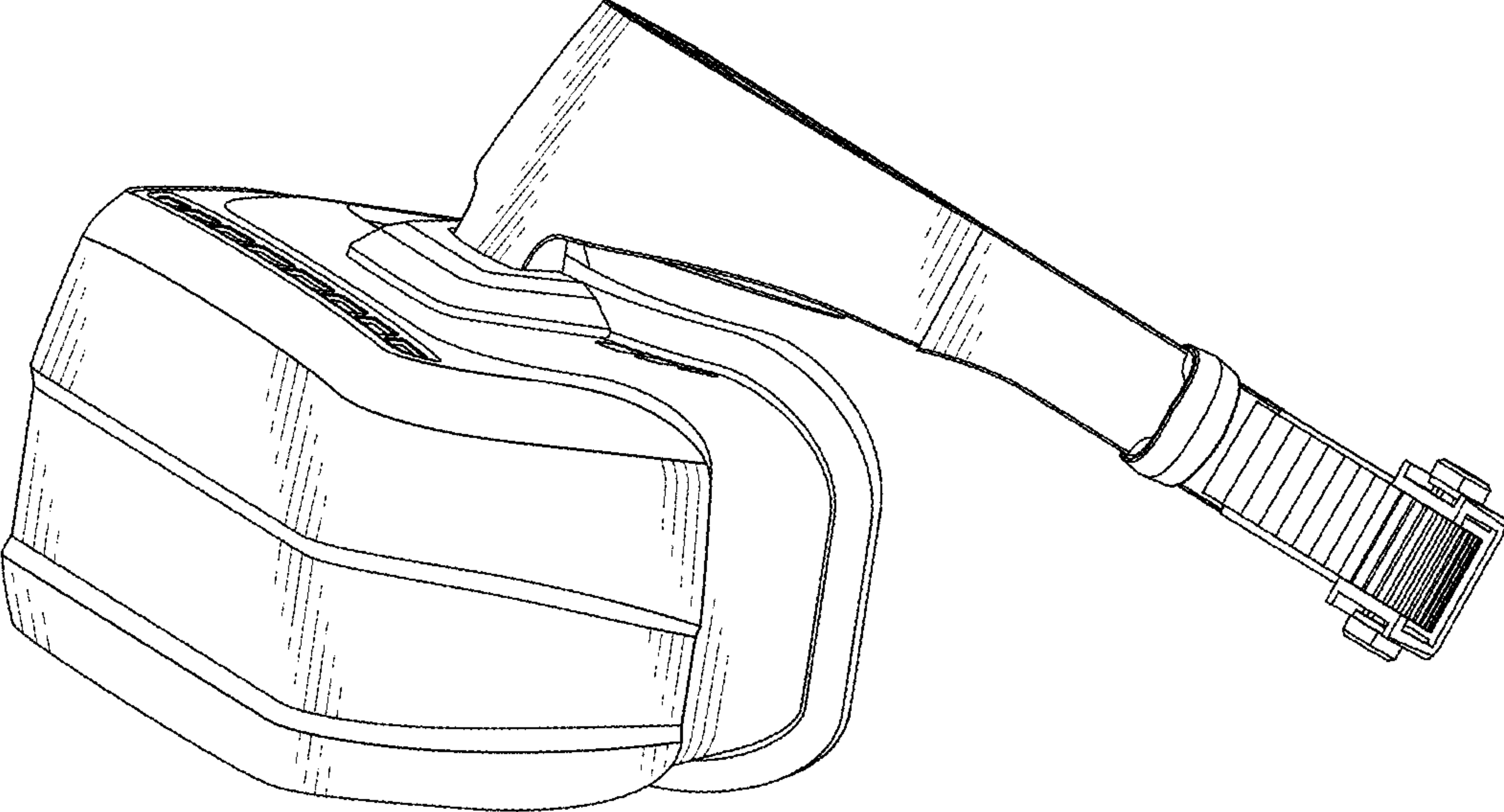


FIG. 1

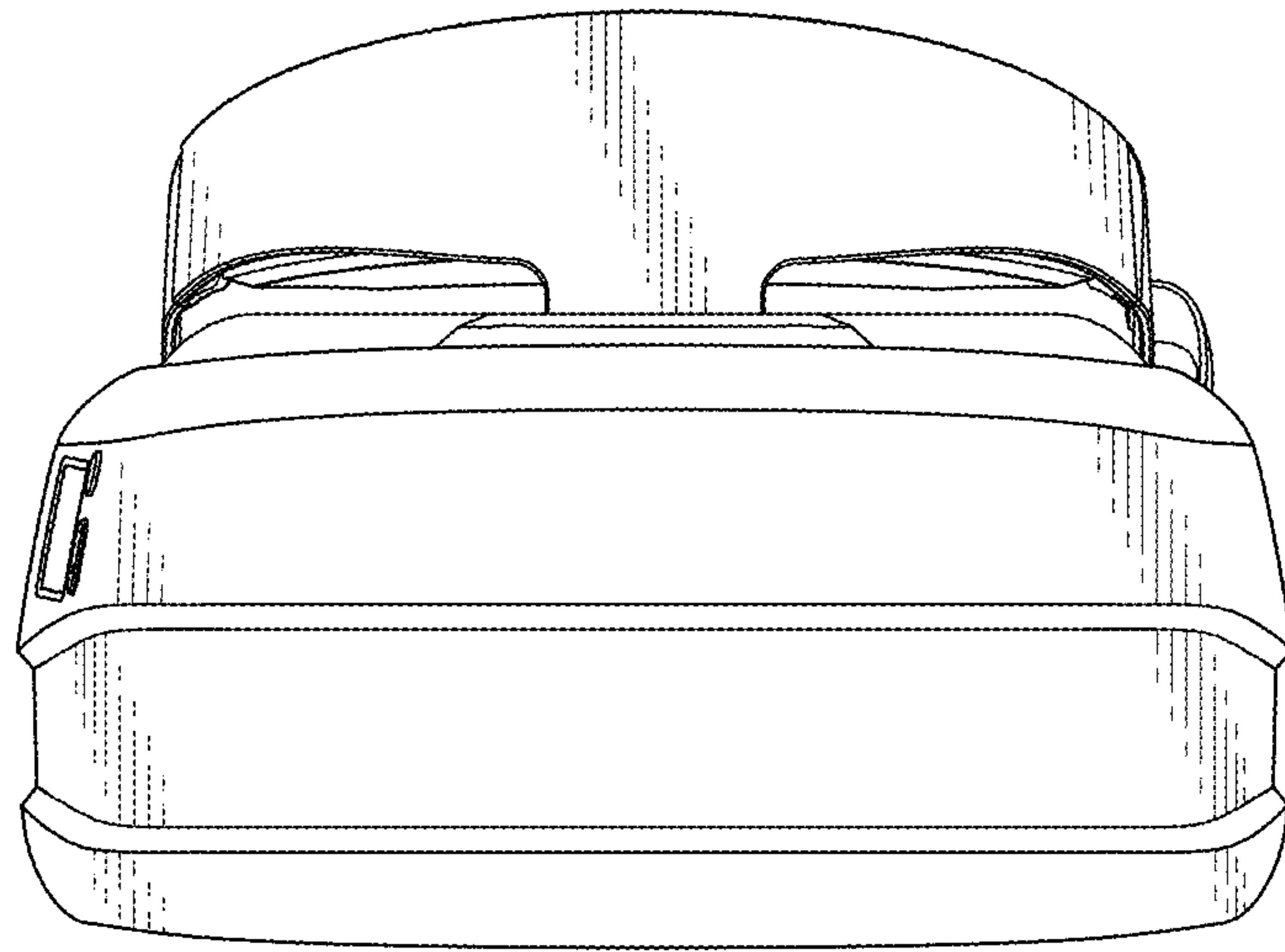


FIG. 2

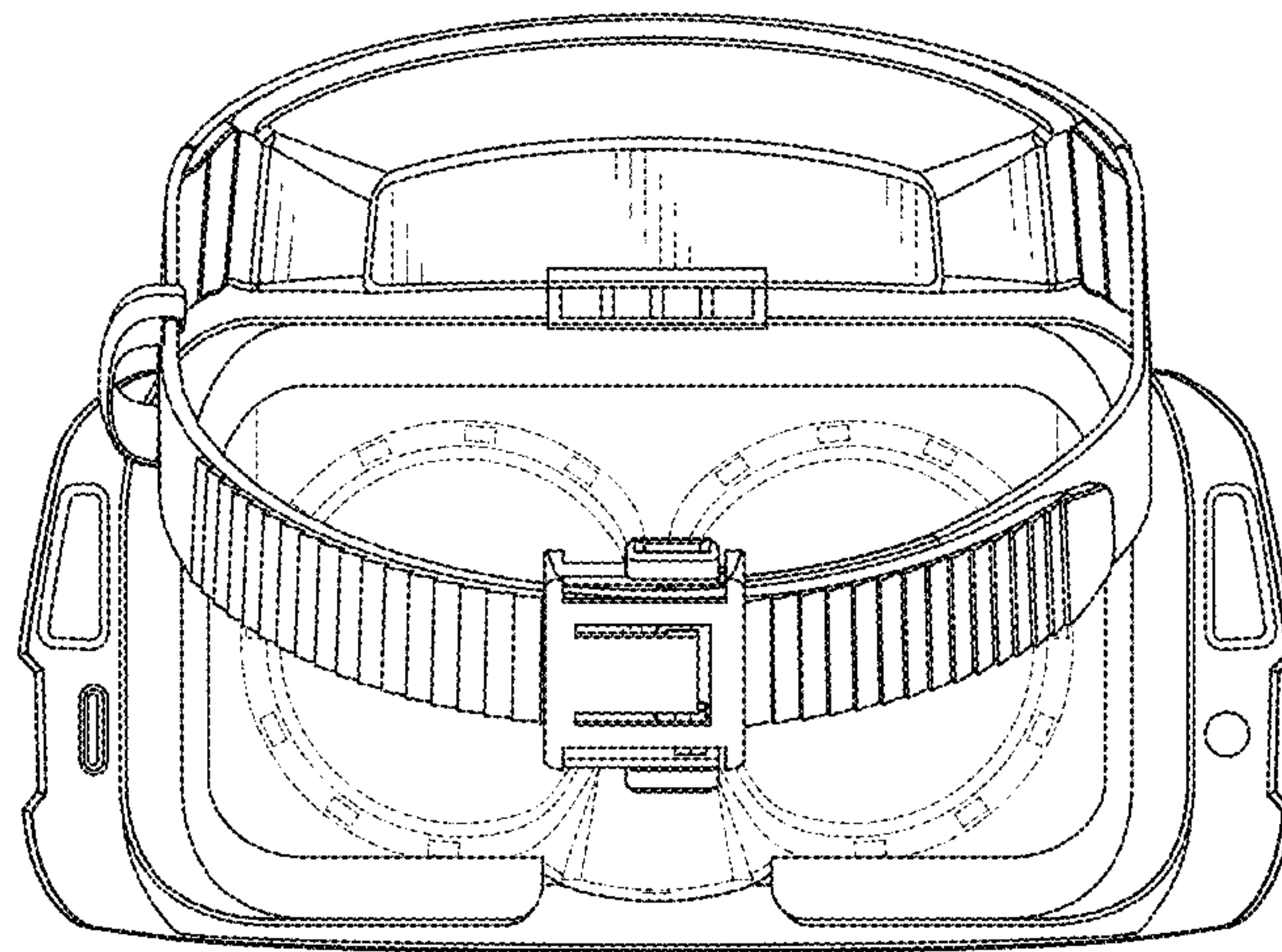


FIG. 3

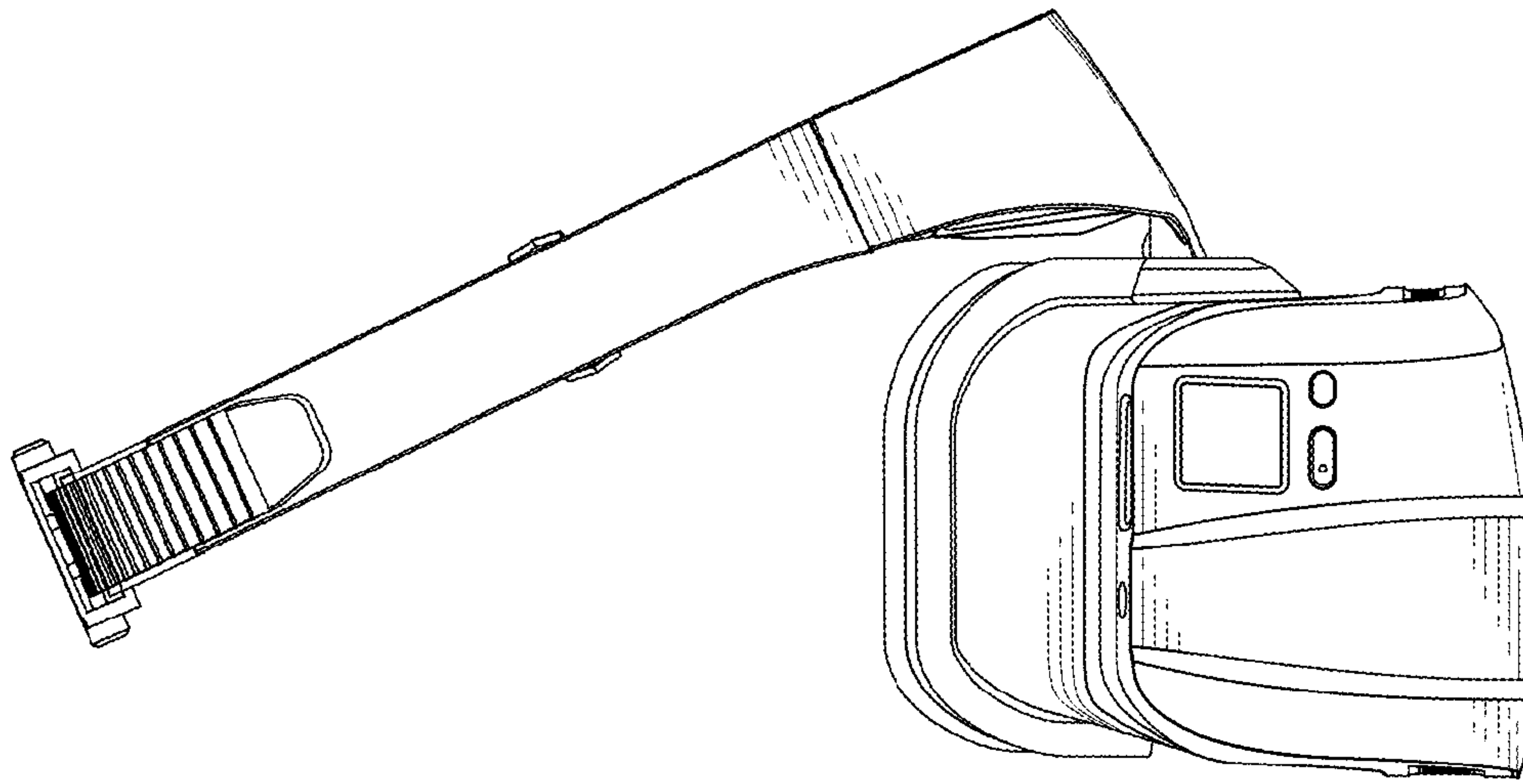


FIG. 4

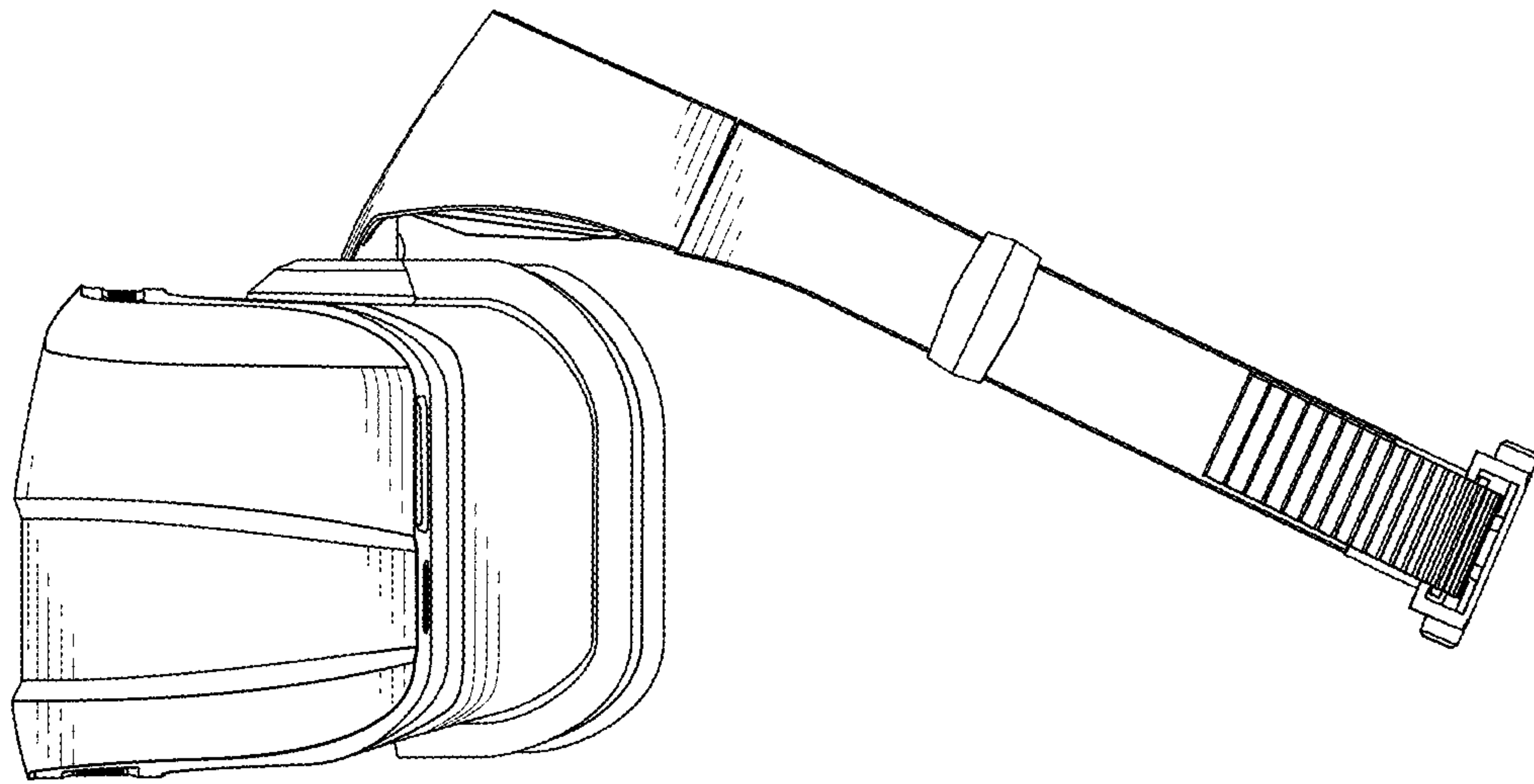


FIG. 5

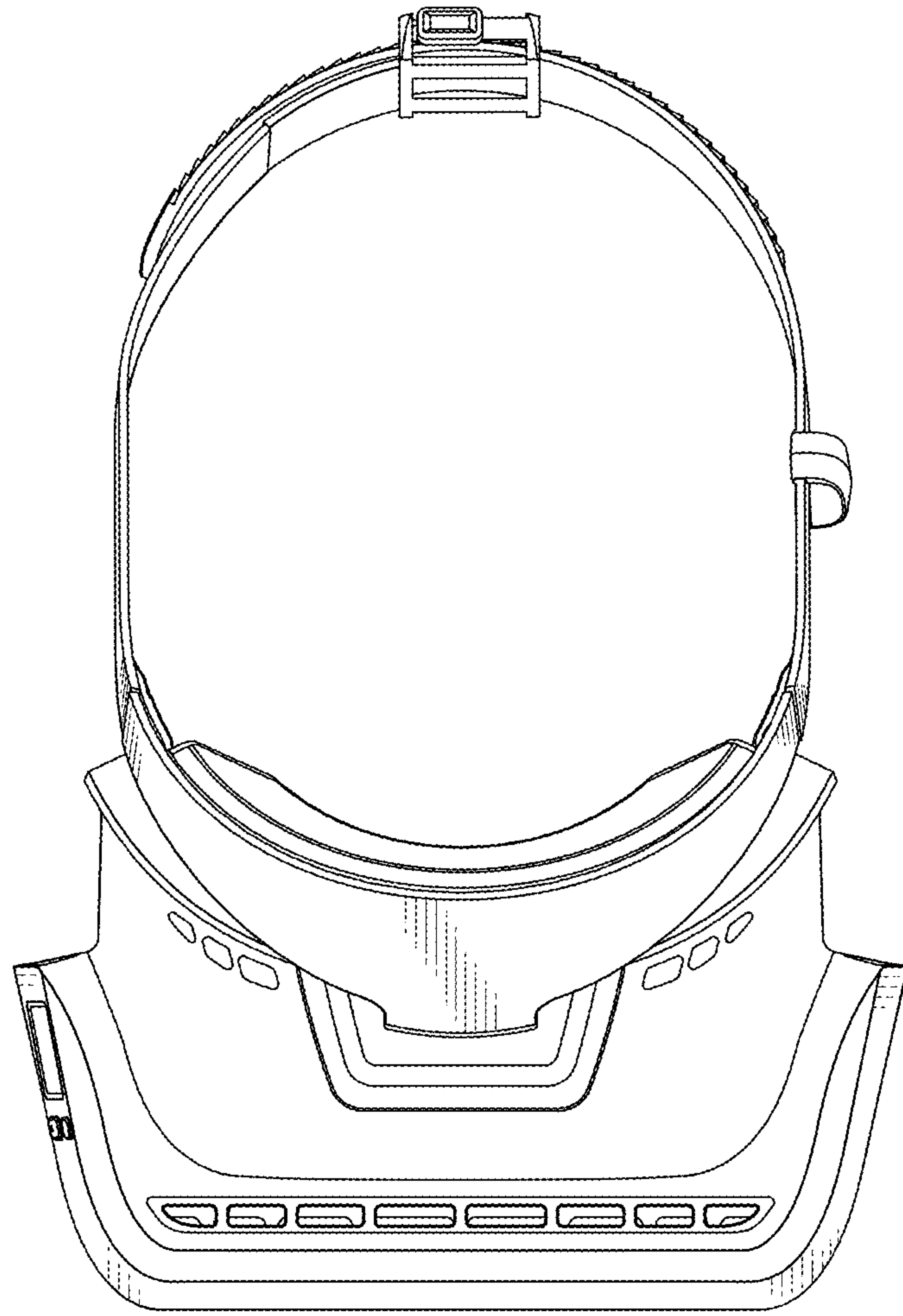


FIG. 6

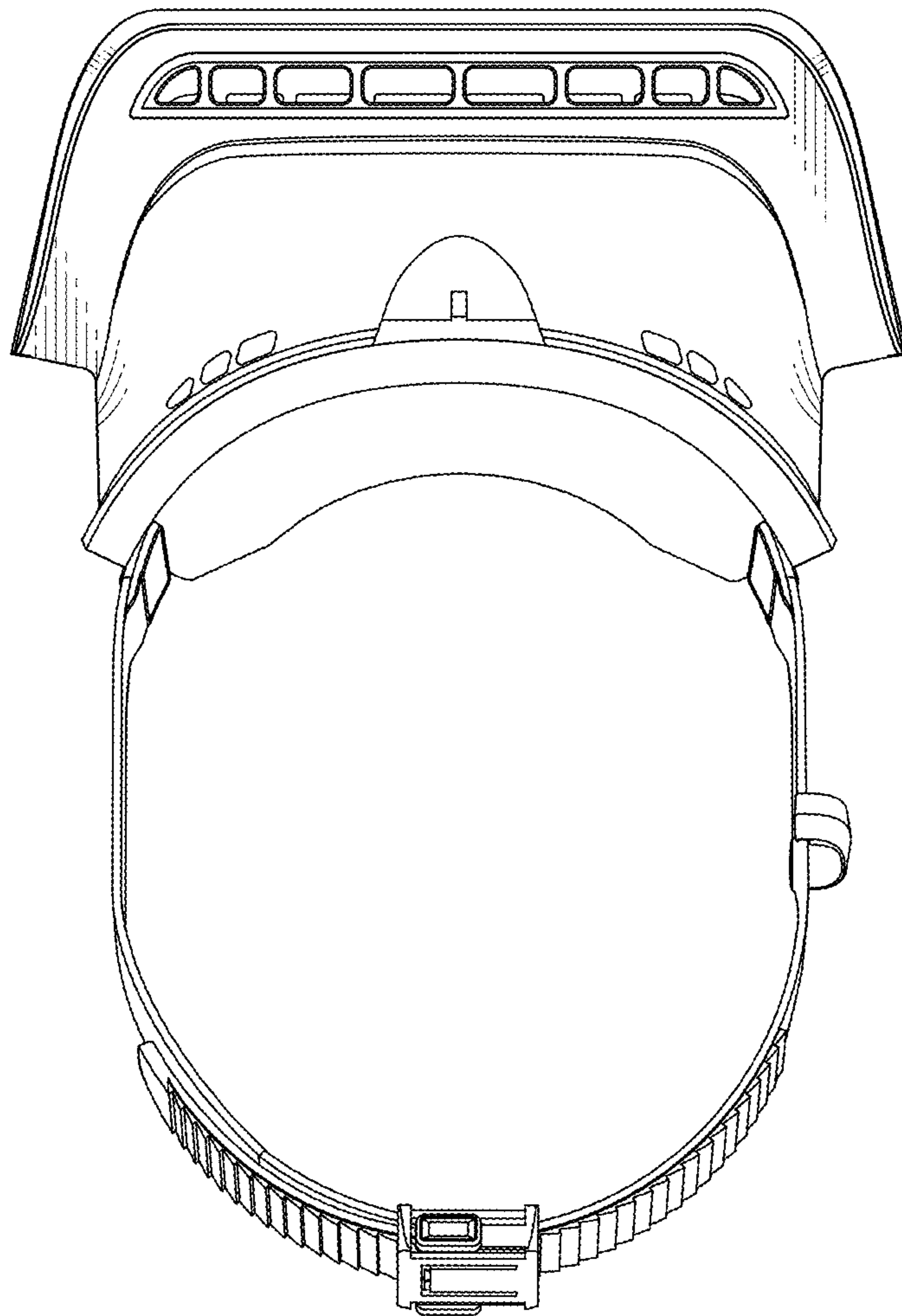


FIG. 7