



US00D861677S

(12) **United States Design Patent** (10) **Patent No.:** **US D861,677 S**
Wu (45) **Date of Patent:** **** Oct. 1, 2019**

(54) **SMARTWATCH**

(56) **References Cited**

(71) Applicants: **HUIZHOU DESAY INDUSTRIAL RESEARCH INSTITUTE CO., LTD**, Guangdong (CN); **MPOW TECHNOLOGY CO., LIMITED**, Hong Kong (HK)

U.S. PATENT DOCUMENTS

D638,723 S * 5/2011 Ong D10/32
D711,002 S * 8/2014 Ohnemus D24/186
D744,357 S * 12/2015 Behar D10/70

(Continued)

(72) Inventor: **Yingtin Wu**, Guangdong (CN)

FOREIGN PATENT DOCUMENTS

(73) Assignees: **HUIZHOU DESAY INDUSTRIAL RESEARCH INSTITUTE CO., LTD**, Guangdong (CN); **MPOW TECHNOLOGY CO., LIMITED**, Hong Kong (HK)

EM 003712132-0001 2/2017
EM 004017077-0004 6/2017

OTHER PUBLICATIONS

Wholesale Fitness Bracelet Smart Wristband with Bluetooth Sedentary Pedometer, posted unknown, [retrieved Jul. 19, 2018]. Retrieved from Internet, <URL: <http://forca.manufacturer.globalsources.com/si/6008851179005/pdf/Smart-bracelet/1159503098/Smart-Wristband.htm>>.*

(Continued)

(**) Term: **15 Years**

Primary Examiner — Barbara Fox
Assistant Examiner — Kristin E Reed
(74) *Attorney, Agent, or Firm* — JCIPRNET

(21) Appl. No.: **29/642,325**

(22) Filed: **Mar. 29, 2018**

(30) **Foreign Application Priority Data**

Dec. 19, 2017 (CN) 2017 3 0651930

(51) **LOC (12) Cl.** **14-02**

(52) **U.S. Cl.**
USPC **D14/344**

(58) **Field of Classification Search**
USPC .. D14/138 R, 144, 341, 344, 358, 388, 218;
D10/30-39, 70, 98; D11/3, 4, 26, 93-94,
D11/78.1, 79, 86; D24/167, 169,
D24/186-187, 164
CPC A41D 1/002; A41D 19/0034; G06F 1/04;
G06F 1/08; G06F 1/10; G06F 1/14; G06F
1/1626; G06F 1/1628; G06F 1/163; G06F
1/1635; G06F 1/3203; G06Q 20/10;
G06Q 20/12; G06Q 20/108; G06Q
20/145; H04B 1/3833; H04B 1/385;
H04B 1/3888; H04M 1/02; H04M 1/03;
H04M 1/04; H04M 1/05; H04M 1/667;
H04M 1/6058; Y02B 60/1217

See application file for complete search history.

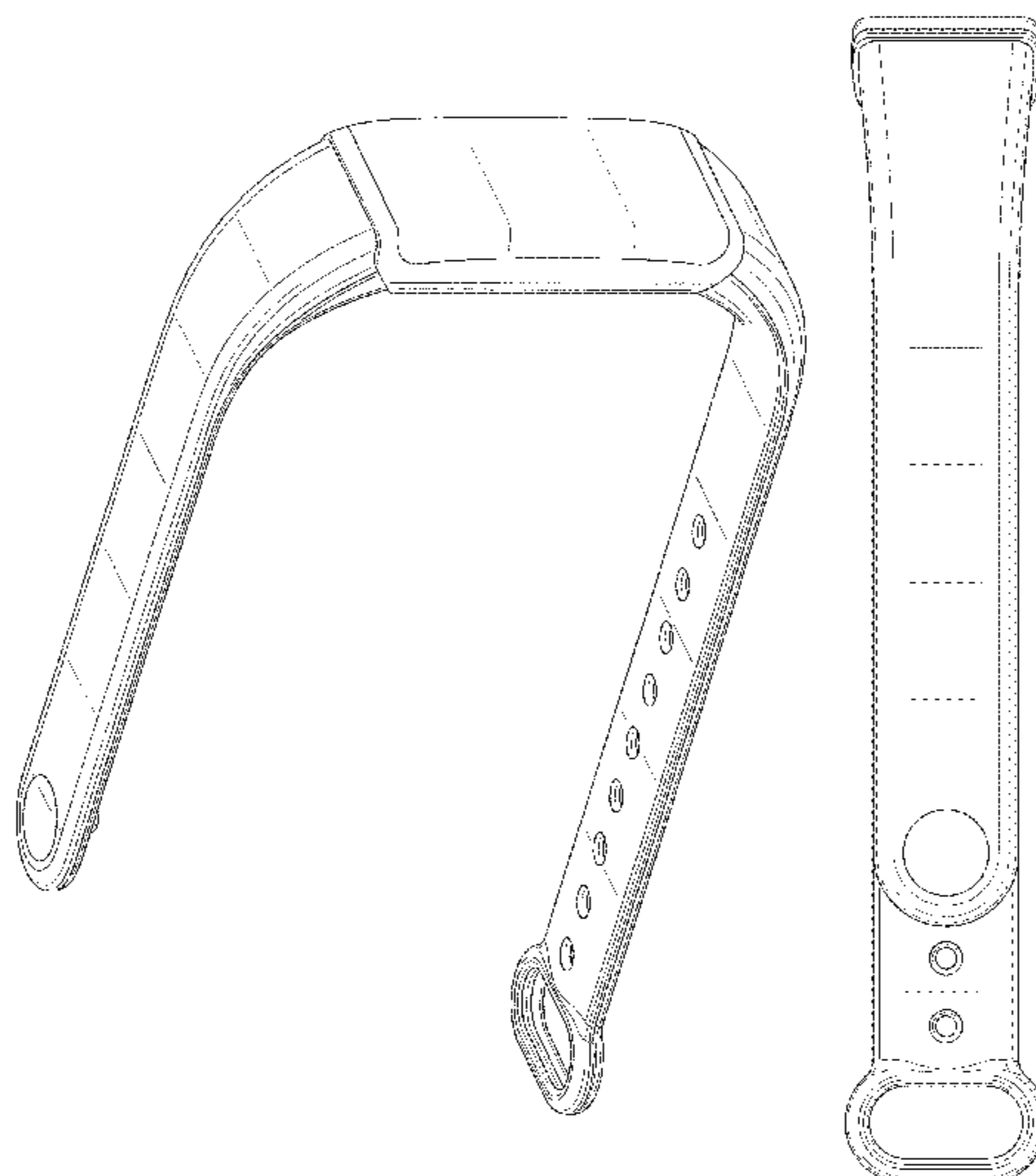
(57) **CLAIM**

The ornamental design for a smartwatch, as shown and described.

DESCRIPTION

FIG. 1 is a perspective view of a smartwatch showing my new design;
FIG. 2 is another perspective view thereof;
FIG. 3 is a front view thereof;
FIG. 4 is a rear view thereof;
FIG. 5 is a left side view thereof;
FIG. 6 is a right side view thereof;
FIG. 7 is a top view thereof; and,
FIG. 8 is a bottom view thereof.

1 Claim, 6 Drawing Sheets



(56)

References Cited

U.S. PATENT DOCUMENTS

D746,477	S *	12/2015	Cha	D24/186
D772,869	S *	11/2016	Iizuka	D10/39
D802,466	S *	11/2017	Yu	D11/3
D807,214	S *	1/2018	Au Yeung	D10/98
D808,385	S *	1/2018	Yuan	D14/344
D816,080	S *	4/2018	Chen	D14/344
D816,668	S *	5/2018	Wu	D14/344
D817,784	S *	5/2018	Swenson	D10/32
D818,855	S *	5/2018	Tooze	D10/70
10,019,067	B2 *	7/2018	Yoon	G06F 3/017
2016/0062410	A1 *	3/2016	Ko	G06F 1/163 361/679.03
2016/0209875	A1 *	7/2016	Kim	G06F 1/1652
2017/0083046	A1 *	3/2017	Seok	A61B 5/681
2018/0036534	A1 *	2/2018	Shin	A61N 1/04

OTHER PUBLICATIONS

Nex, The Evolving Wearable With Custom Light Notifications, Activity Tracker, Smart Home Integration—One Wearable. Endless

Control, posted Sep. 2, 2016, [retrieved Jul. 19, 2018]. Retrieved from Internet, <URL: <https://www.amazon.com/Nex-Customizable-Evolving-Notifications-Integration/dp/B01LG06GDW> >.*

Time Owner G20 Bluetooth Smart Wristband Health Tracker, posted unknown, [retrieved Jul. 19, 2018]. Retrieved from Internet, <URL: <https://www.aliexpress.com/item/Time-Owner-G20-Bluetooth-Smart-Wristband-Health-Tracker-Heart-Rate-Blood-Pressure-ECG-Tracker-Smart-Bracelet/32836807989.html> >.*

Miaomiaogo A09 Smart Bracelet, posted Jan. 15, 2018, [retrieved Jul. 19, 2018]. Retrieved from Internet, <URL: <https://www.amazon.co.jp/MiaomiaogoA09> >.*

Arbily Fitness Tracker, YG3 Plus Activity Tracker with Heart Rate Monitor, Bluetooth Smart Wristband Bracelet Sport Pedometer Step Counter, IP67 Waterproof for Android and Ios, <https://www.amazon.com/dp/B077N2XH7H>, Arbily.

Fitness Tracker, Mpow Heart Rate Monitor Tracker Smart Bracelet Activity Tracker Bluetooth Pedometer with Sleep Monitor Smartwatch for iPhone Samsung & Other Android or iOS Smartphones for Adults Kids, <https://www.amazon.co.uk/dp/B01MUDU6BU>, Mpow.

* cited by examiner

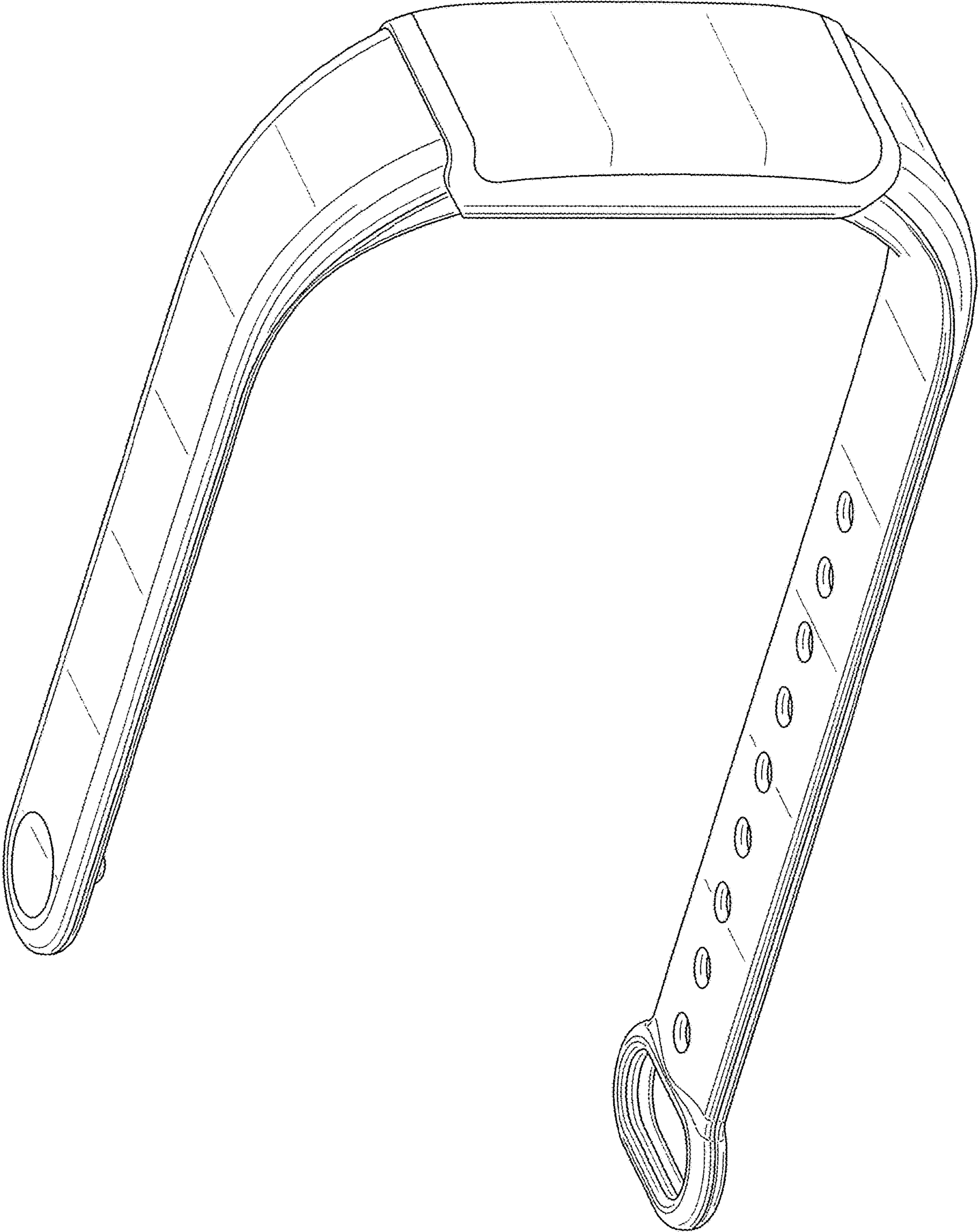


FIG. 1

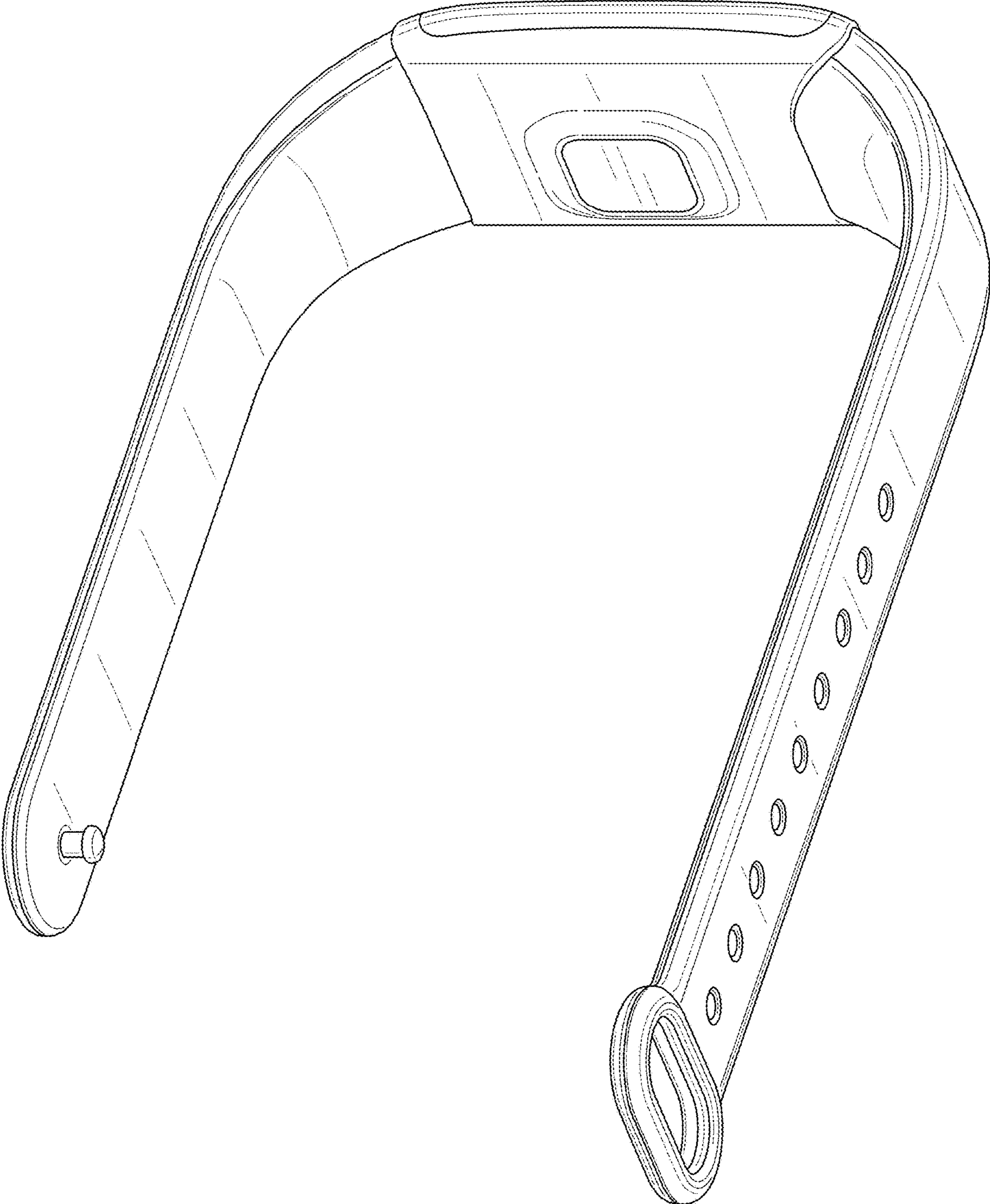


FIG. 2

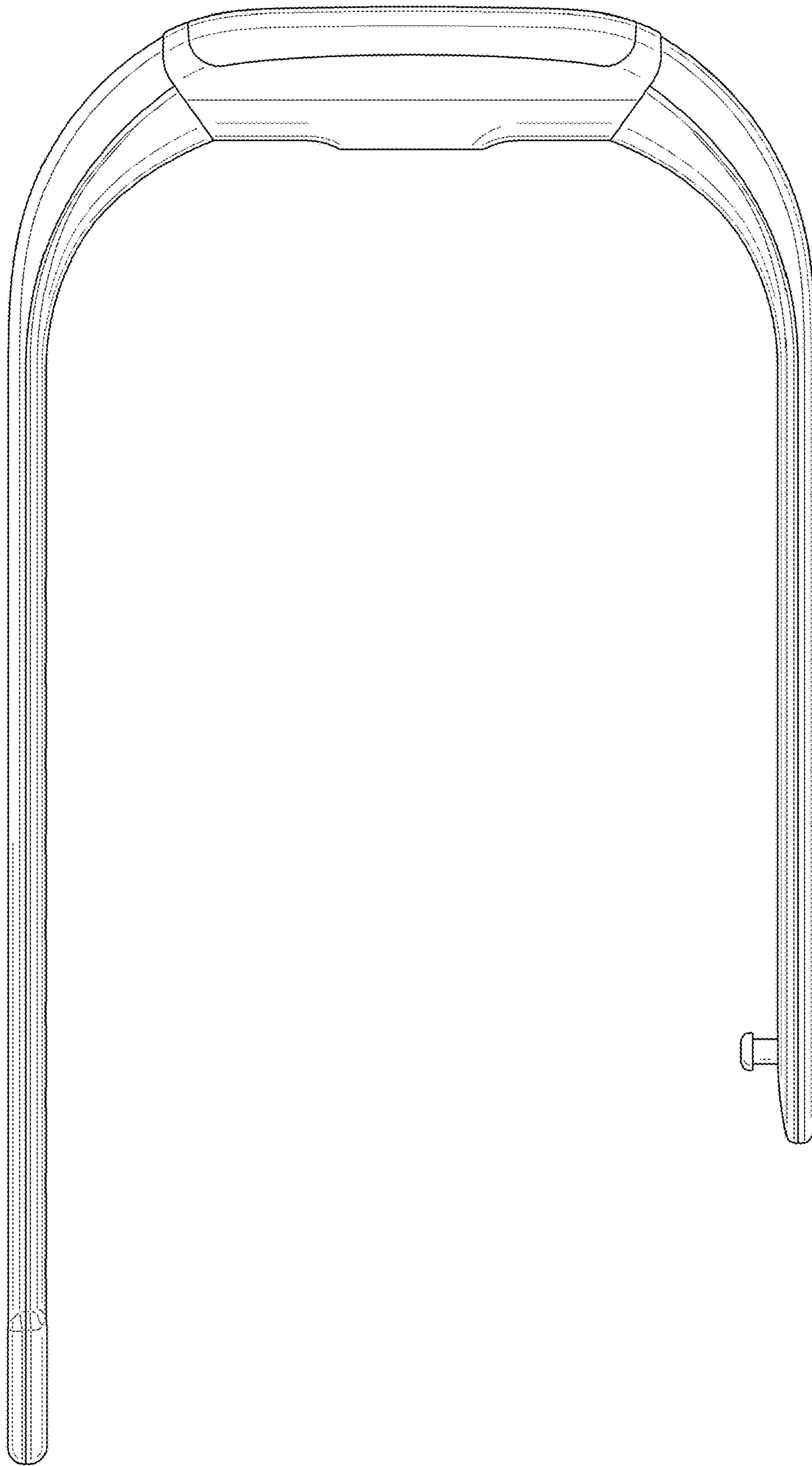


FIG. 3

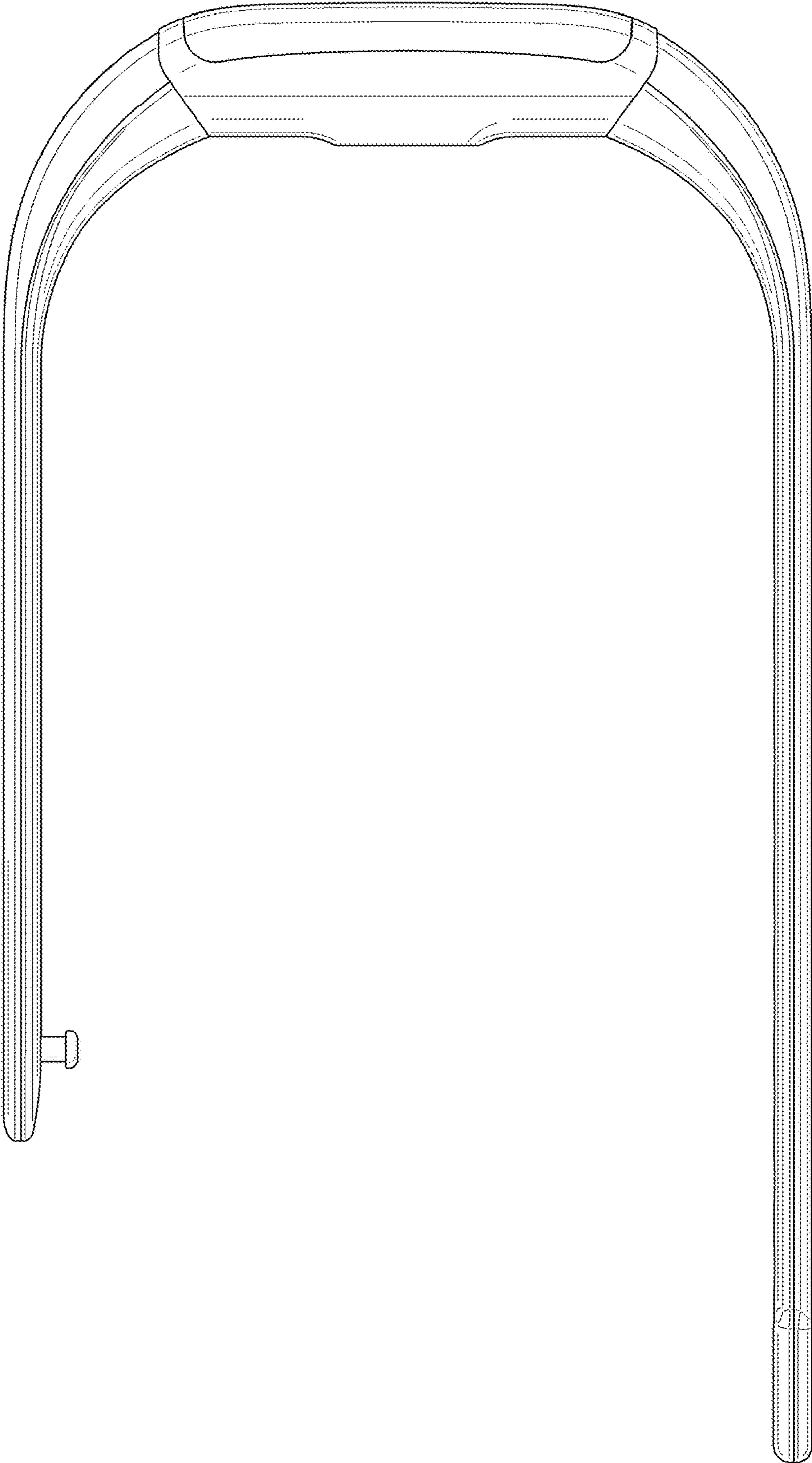


FIG. 4

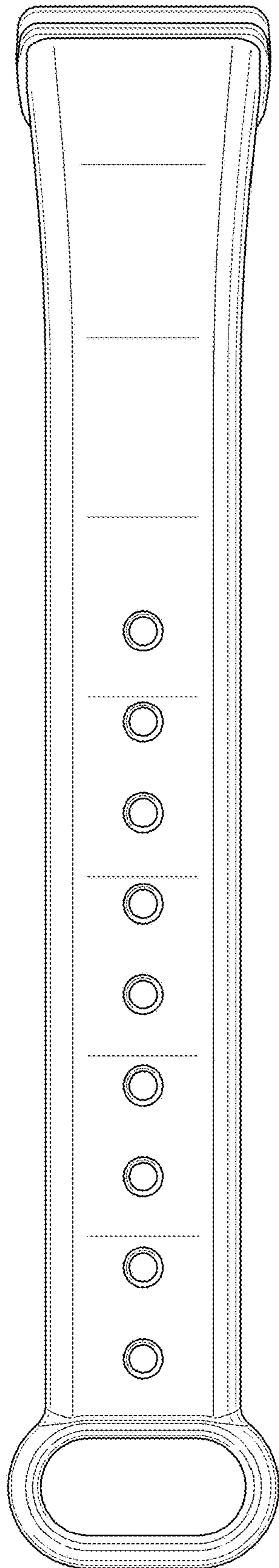


FIG. 5

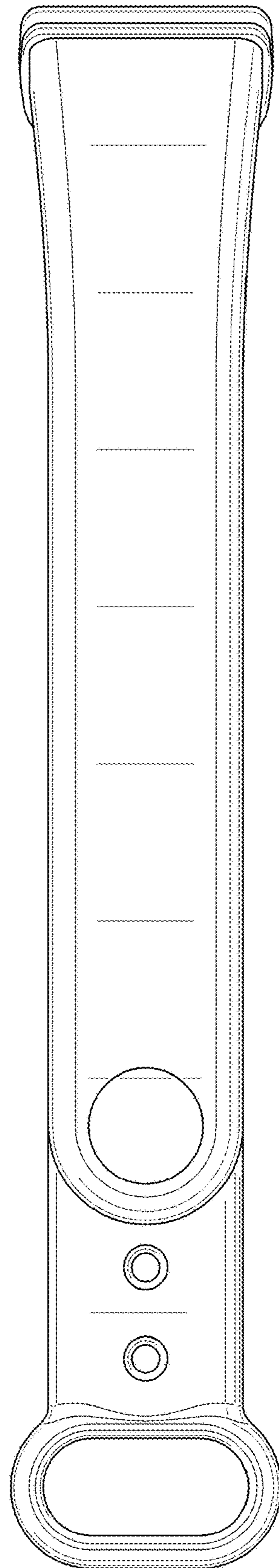


FIG. 6

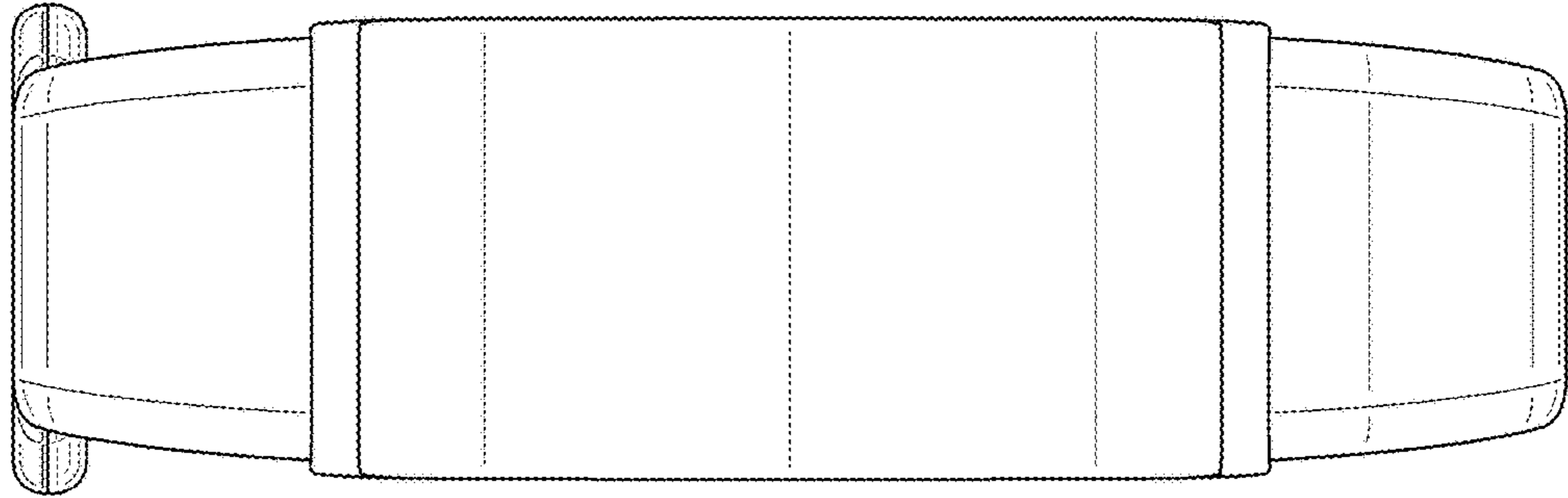


FIG. 7

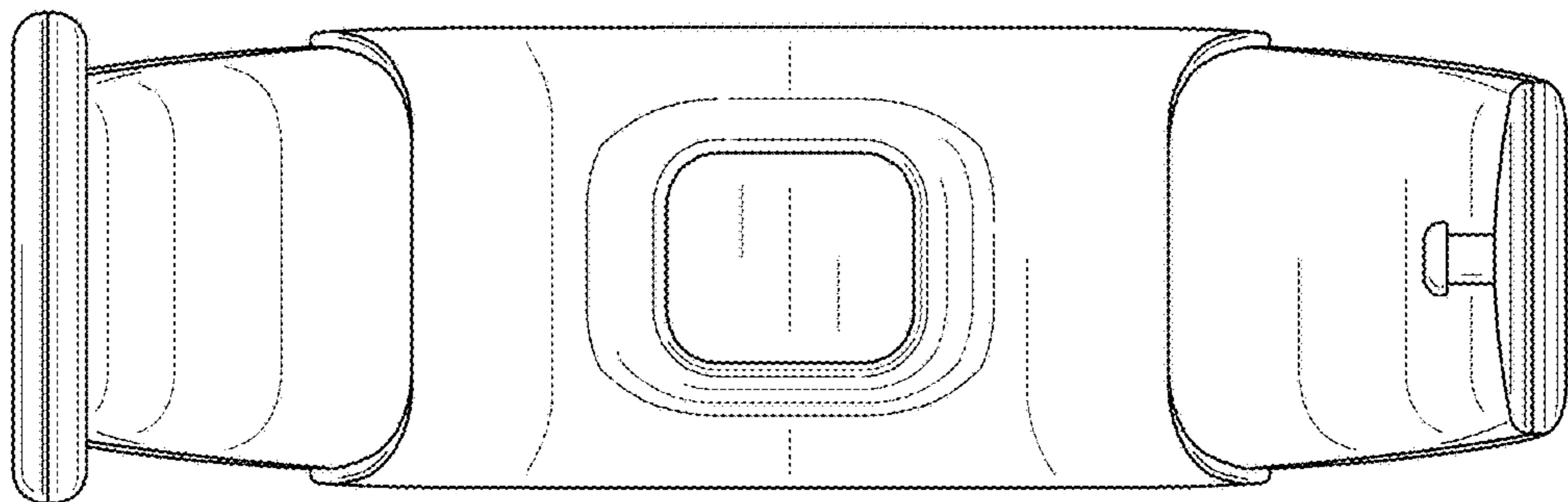


FIG. 8