

US00D861670S

(12) **United States Design Patent** (10) **Patent No.:** **US D861,670 S**
Li (45) **Date of Patent:** **** Oct. 1, 2019**

(54) **BRACKET FOR SUPPORTING PHONES ON VEHICLE**

(71) Applicant: **Enmin Li**, Guangdong (CN)

(72) Inventor: **Enmin Li**, Guangdong (CN)

(73) Assignee: **Chunzhixiao (Shenzhen) Science & Technology Co., Ltd.**, Shenzhen, Guangdong (CN)

(**) Term: **15 Years**

(21) Appl. No.: **29/658,178**

(22) Filed: **Jul. 30, 2018**

(51) **LOC (12) Cl.** **08-07**

(52) **U.S. Cl.**
USPC **D14/253**; D14/447

(58) **Field of Classification Search**
USPC D14/447, 432, 434, 439, 440, 451, 452, D14/457, 239, 250, 253, 203.7, 336, 337; D8/363, 373, 380; D6/406.3, 406.4, D6/406.5, 406.6; D12/415; D21/330, D21/331; D3/218
CPC A47B 21/04; A47B 2097/006; A47B 2097/005; A47B 2023/049; A45C 2011/002; A45C 2011/003; F16M 2200/00; F16M 13/00
See application file for complete search history.

(56) **References Cited**

U.S. PATENT DOCUMENTS

D646,315 S * 10/2011 Orf D14/263
D650,774 S * 12/2011 Molter D14/239

D656,932 S * 4/2012 Wikel D12/415
D697,515 S * 1/2014 Adelman D14/447
D717,307 S * 11/2014 Chun D14/447
D748,099 S * 1/2016 Heid D14/447
D767,556 S * 9/2016 Lee D12/415
D778,714 S * 2/2017 McSweyn D12/415
D784,997 S * 4/2017 Cheng D14/447
D796,421 S * 9/2017 Huang D12/415
D804,487 S * 12/2017 Theis D14/447
D829,724 S * 10/2018 Chun D14/447
D834,583 S * 11/2018 Janzen D14/447

* cited by examiner

Primary Examiner — Angela J Lee

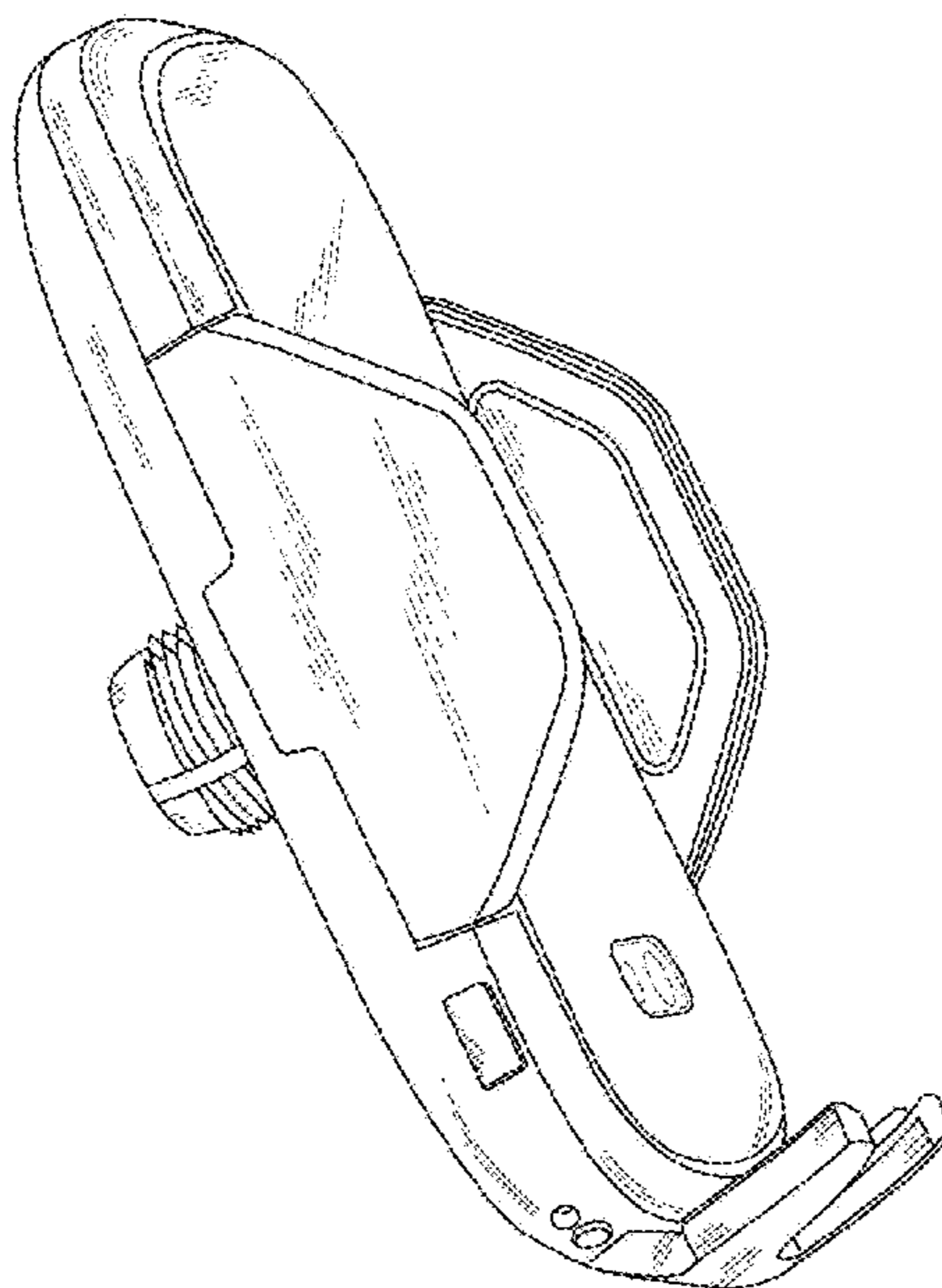
(57) **CLAIM**

I claim the ornamental design for a bracket for supporting phones on vehicle, as shown and described.

DESCRIPTION

FIG. 1 is a perspective view of a bracket for supporting phones on vehicle showing my new design; FIG. 2 is a front elevational view thereof; FIG. 3 is a rear elevational view thereof; FIG. 4 is a left side elevational view thereof; FIG. 5 is a right side elevational view thereof; FIG. 6 is a top plan view thereof; and, FIG. 7 is a bottom plan view thereof. The broken lines shown depict environment that forms no part of the claimed design.

1 Claim, 7 Drawing Sheets



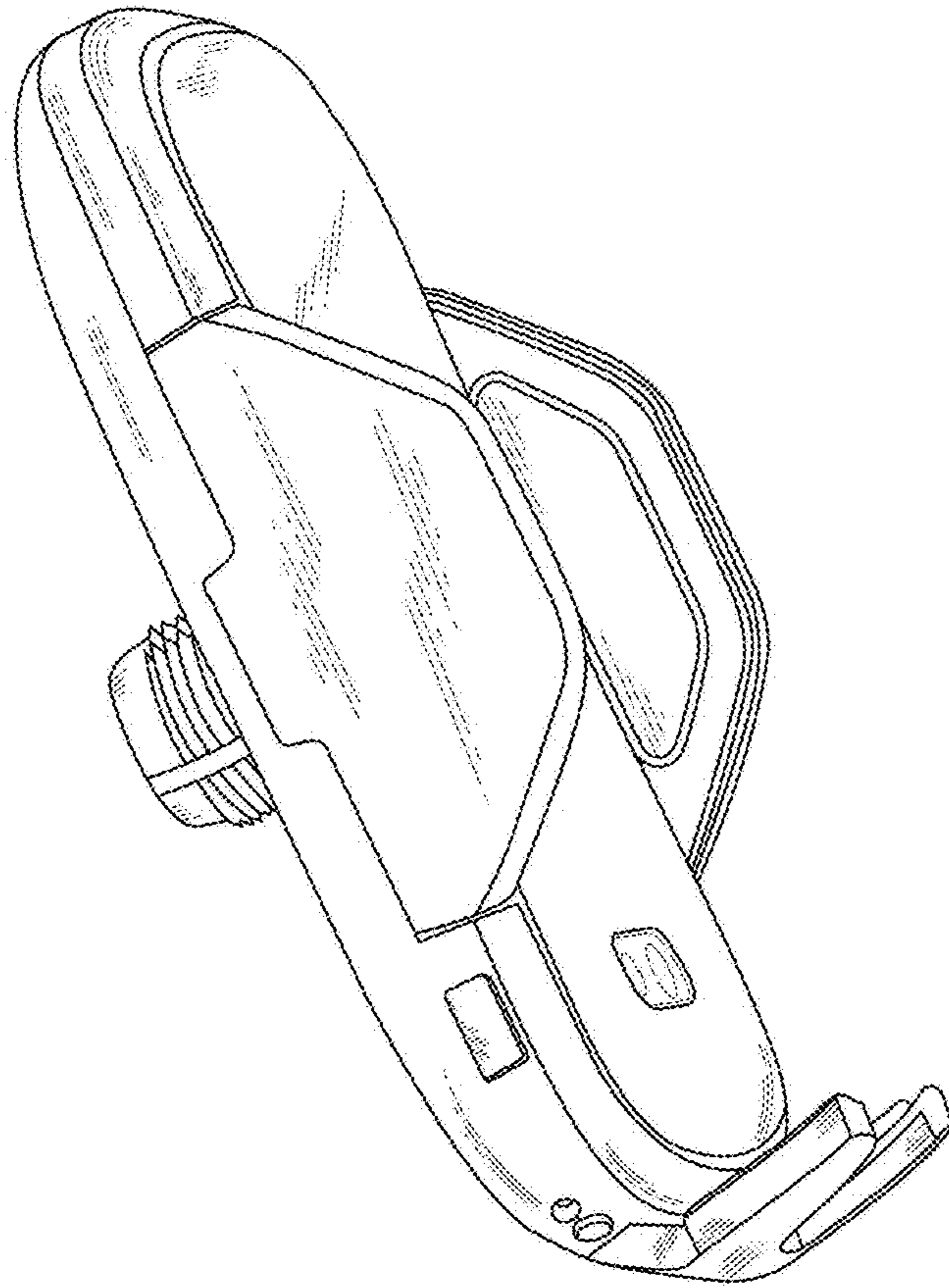


FIG.1

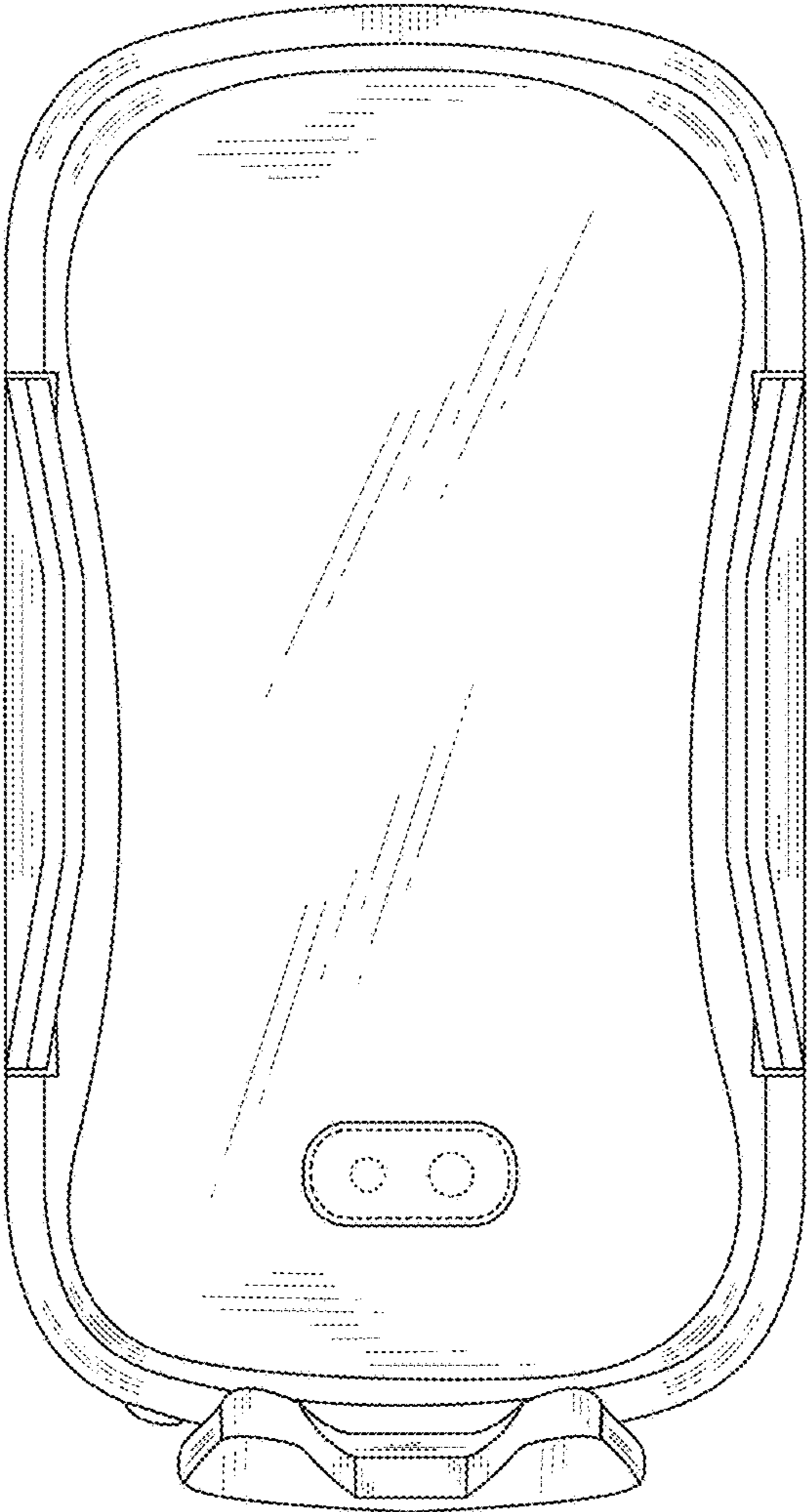


FIG.2

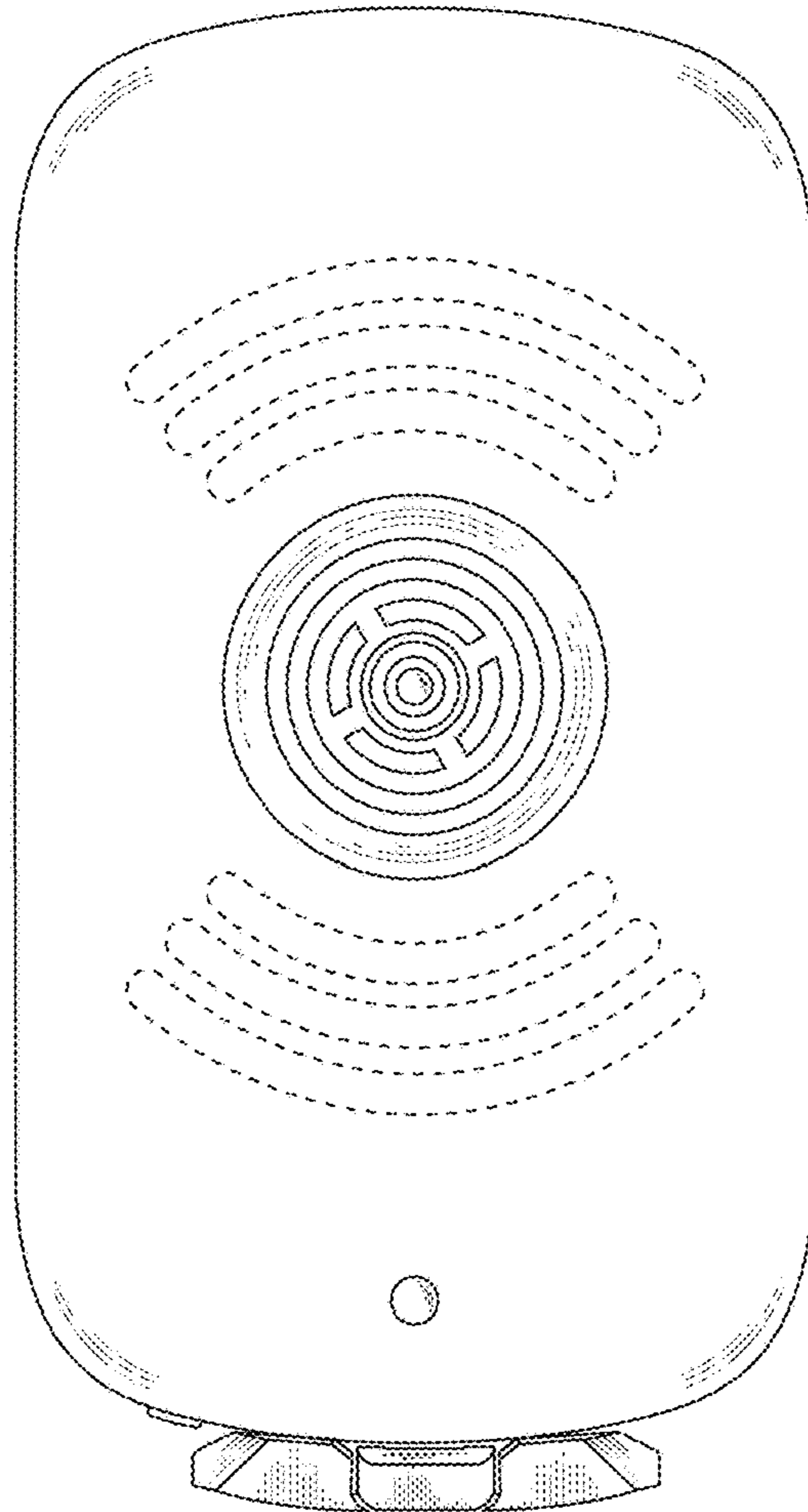


FIG.3

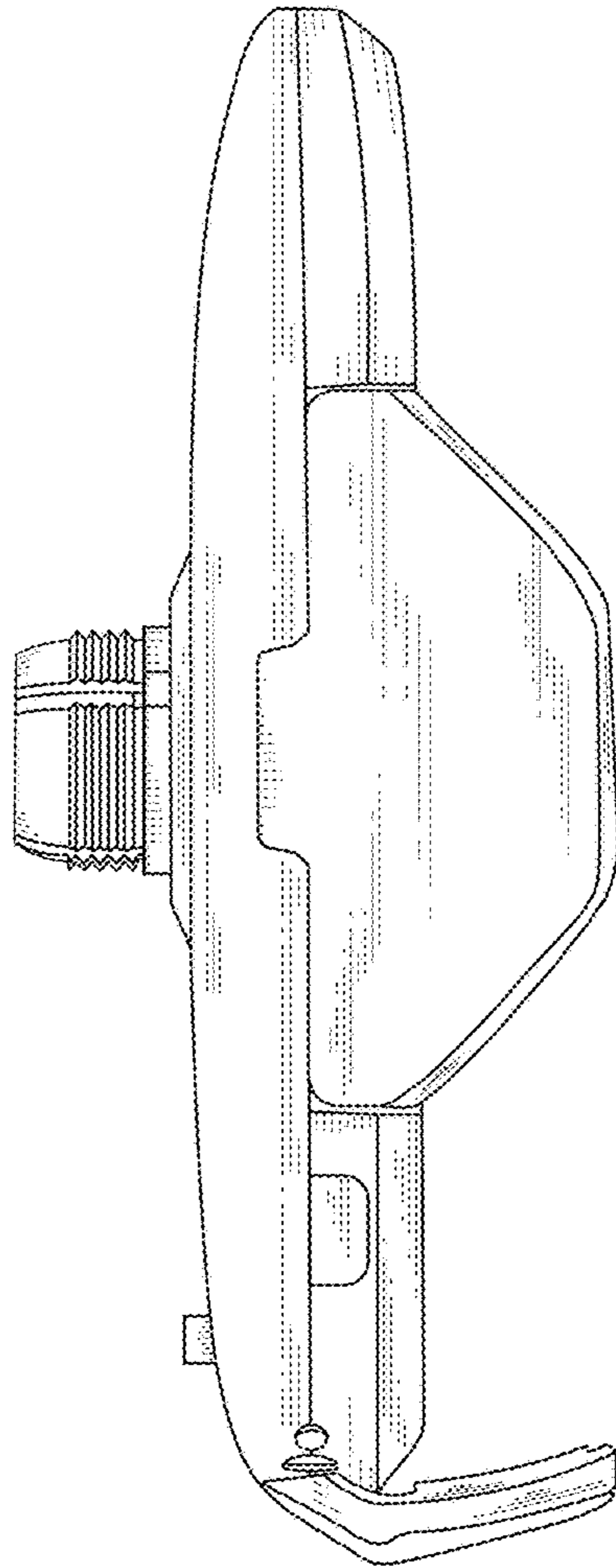


FIG.4

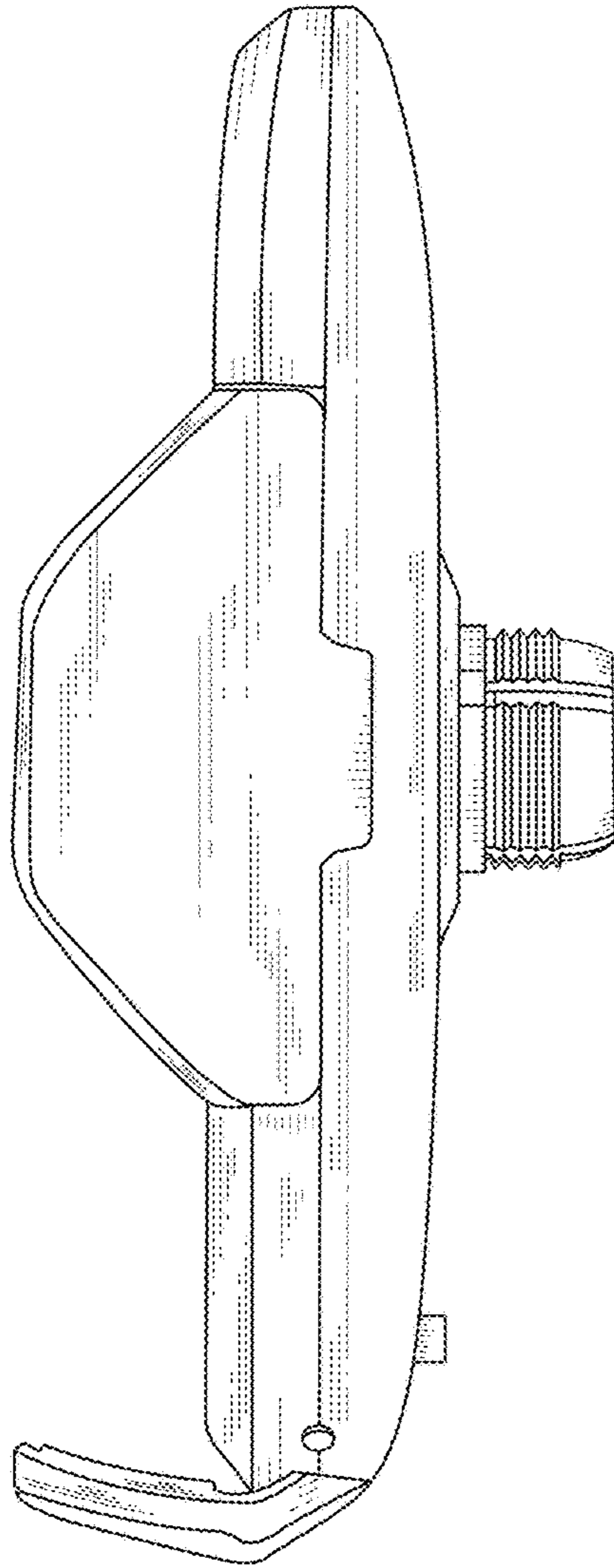


FIG.5

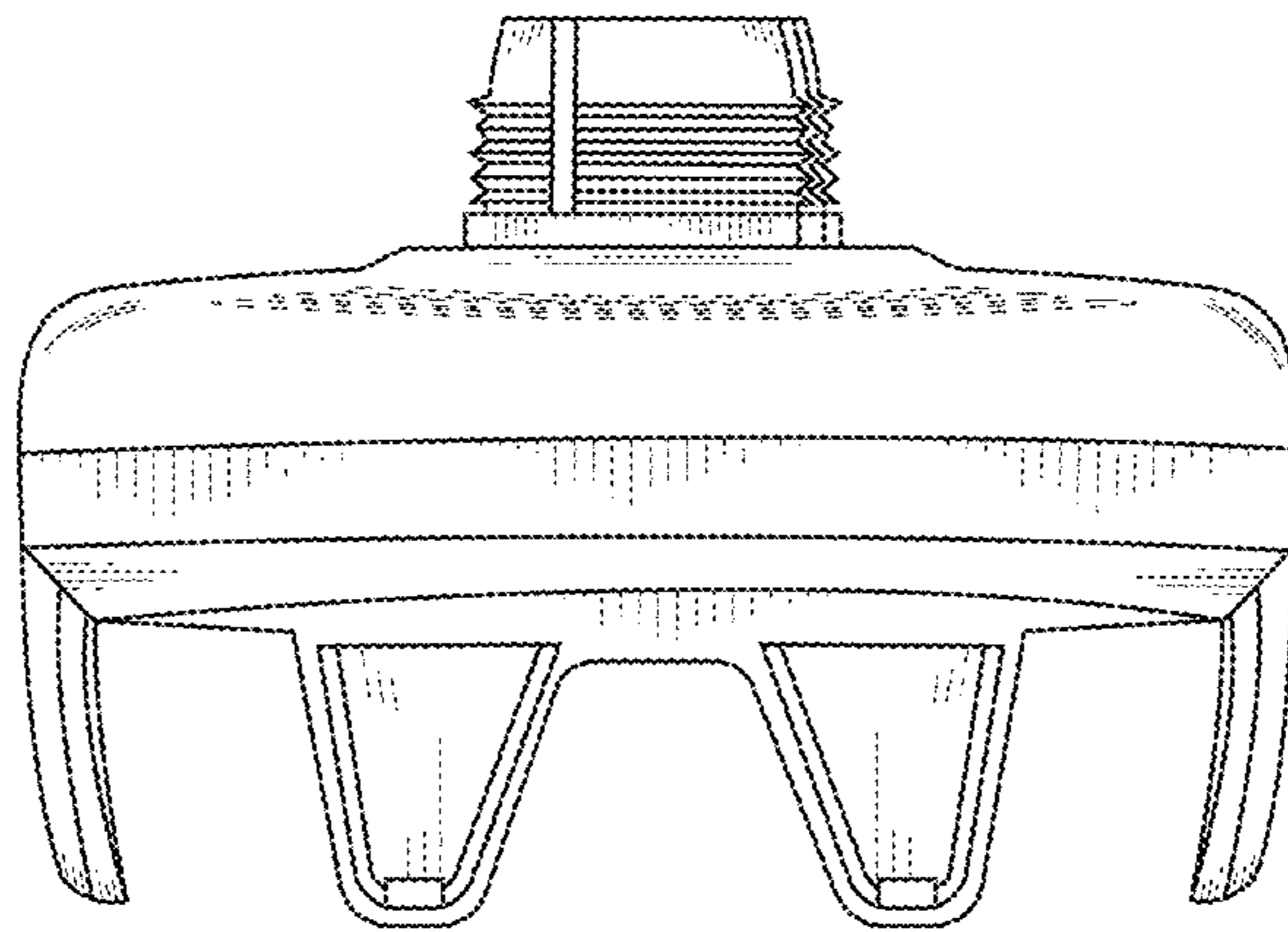


FIG.6

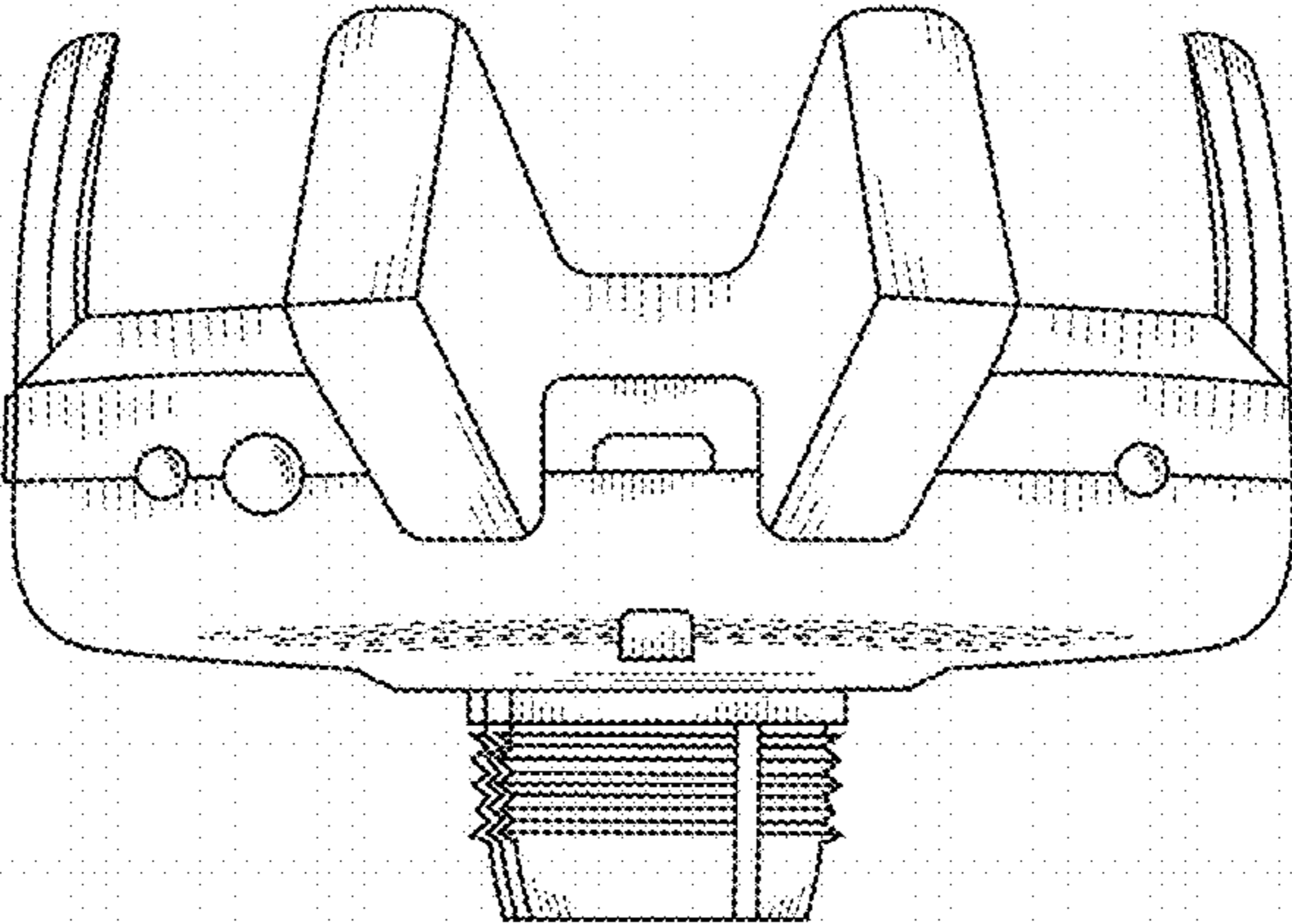


FIG.7