



US00D861668S

(12) **United States Design Patent** (10) **Patent No.:** **US D861,668 S**  
**Ho** (45) **Date of Patent:** **\*\* Oct. 1, 2019**

(54) **CELL PHONE MOUNT**  
(71) Applicant: **Timothy Ho**, Hong Kong (HK)  
(72) Inventor: **Timothy Ho**, Hong Kong (HK)  
(\*\*) Term: **15 Years**  
(21) Appl. No.: **29/573,129**  
(22) Filed: **Aug. 3, 2016**  
(51) **LOC (12) Cl.** ..... **14-03**  
(52) **U.S. Cl.**  
USPC ..... **D14/253**  
(58) **Field of Classification Search**  
USPC ..... D14/251–253, 447, 451, 452, 440, 434,  
D14/458, 432, 439, 457, 460, 238.1, 140,  
D14/142, 149, 217, 148, 140.8, 140.11,  
D14/209.1, 151, 140.9, 250, 238;  
D13/107, 108; D12/415, 223, 114, 420,  
D12/417, 407, 177; D3/218, 215;  
D16/242–245, 250, 237, 203, 214, 219;  
D6/675, 672, 673, 675.4, 553, 676, 310,  
D6/406.3, 406.4, 406.5, 406.6, 407, 567,  
D6/300, 682.3; 248/459, 460; 224/483  
CPC ..... F16M 11/00; F16M 11/04; F16M 11/041;  
F16M 11/02; F16M 11/06; F16M 13/00;  
H04M 1/02; H04M 1/04; H04M 1/11;  
H04M 1/12; A47F 7/022; B62J 11/00;  
H05K 7/00; G03B 17/56  
See application file for complete search history.

(56) **References Cited**  
U.S. PATENT DOCUMENTS  
D647,434 S \* 10/2011 Chambers ..... B62J 11/00  
D12/114  
D652,779 S \* 1/2012 Richter ..... D12/223

D685,687 S \* 7/2013 Richter ..... D12/114  
8,490,937 B2 \* 7/2013 Crain ..... G01C 15/00  
224/929  
8,708,205 B2 \* 4/2014 Wotton ..... B62J 11/00  
224/413  
8,998,048 B1 \* 4/2015 Wu ..... B62J 11/00  
224/420  
D768,124 S \* 10/2016 Daniels ..... D12/114  
D771,734 S \* 11/2016 Samuels ..... D16/245  
D790,527 S \* 6/2017 O'Neill ..... D14/253  
2013/0134196 A1 \* 5/2013 Lee ..... B62J 11/00  
224/448  
2016/0031381 A1 \* 2/2016 Lin ..... B62J 11/00  
224/548

\* cited by examiner

*Primary Examiner* — Janice Hallmark  
(74) *Attorney, Agent, or Firm* — Furr Law Firm; Jeffrey Furr, Esq.

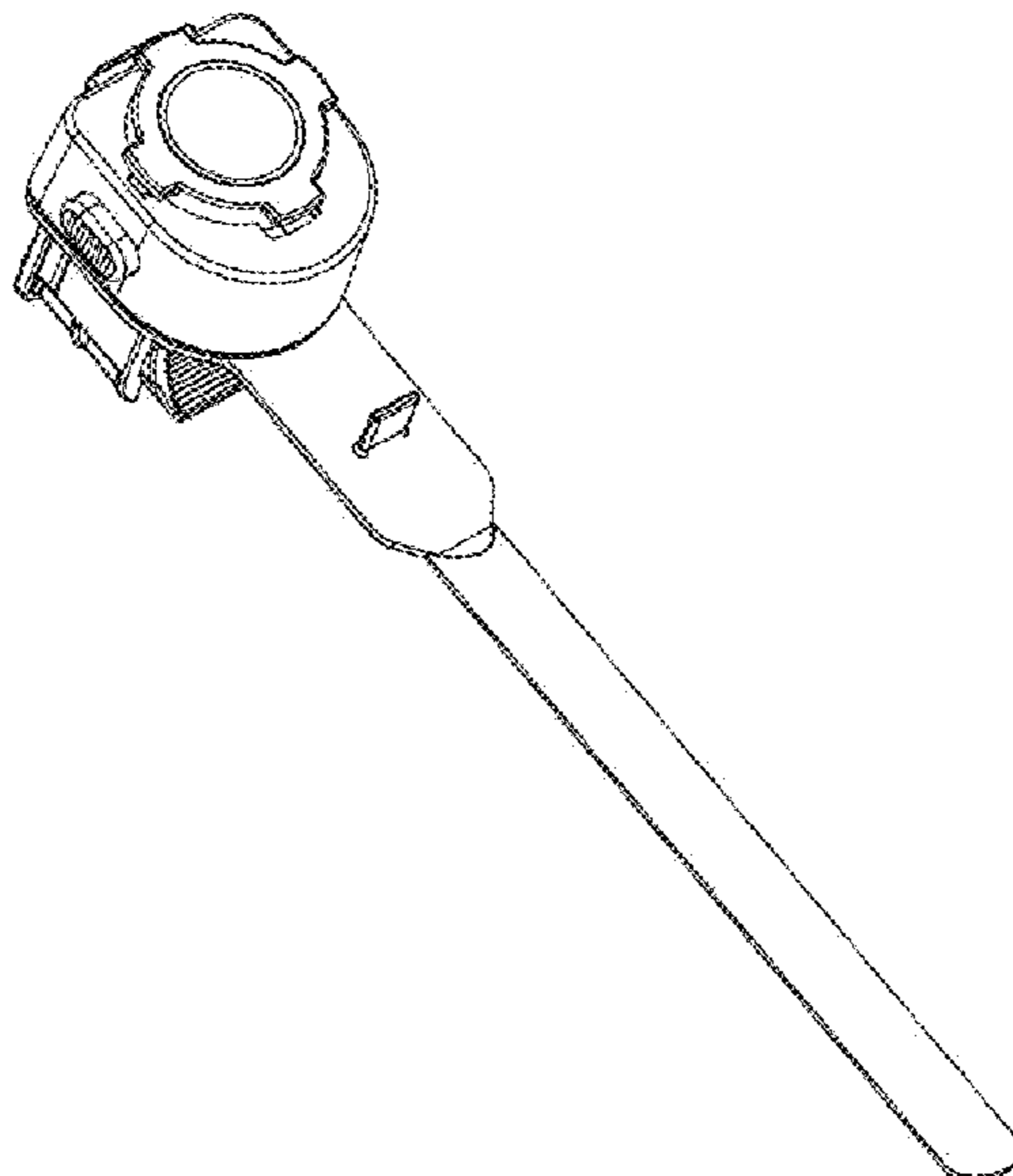
(57) **CLAIM**

The ornamental design for a cell phone mount, as shown.

**DESCRIPTION**

FIG. 1 is a front perspective view of the cell phone mount showing our new design;  
FIG. 2 is a right side view thereof;  
FIG. 3 is a left side view thereof;  
FIG. 4 is a top view thereof;  
FIG. 5 is a bottom view thereof;  
FIG. 6 is a front view thereof; and,  
FIG. 7 is a back view of thereof.  
The broken lines in the drawings depict parts of the cell phone mount that form no part of the claimed design.

**1 Claim, 4 Drawing Sheets**



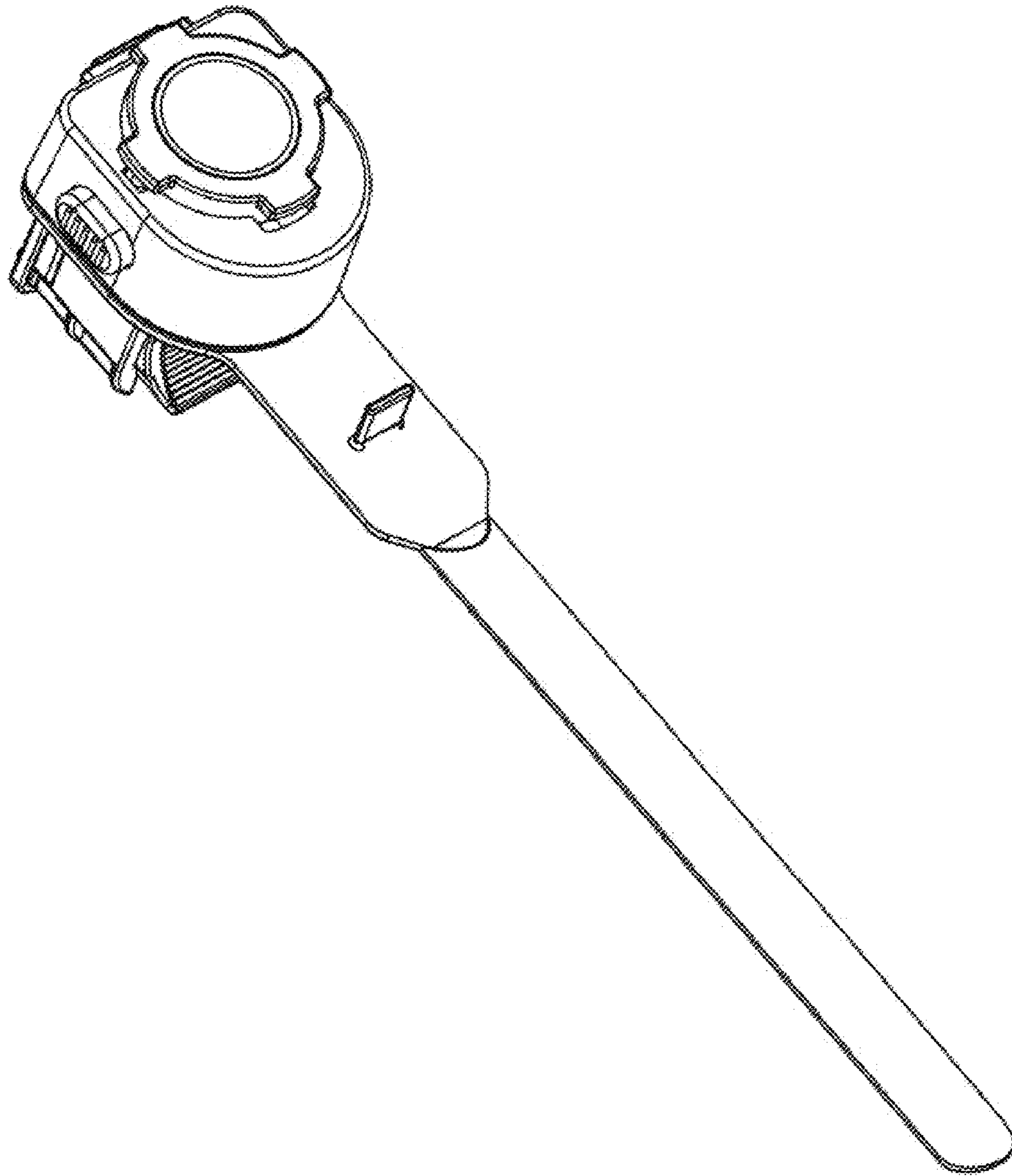


Fig. 1

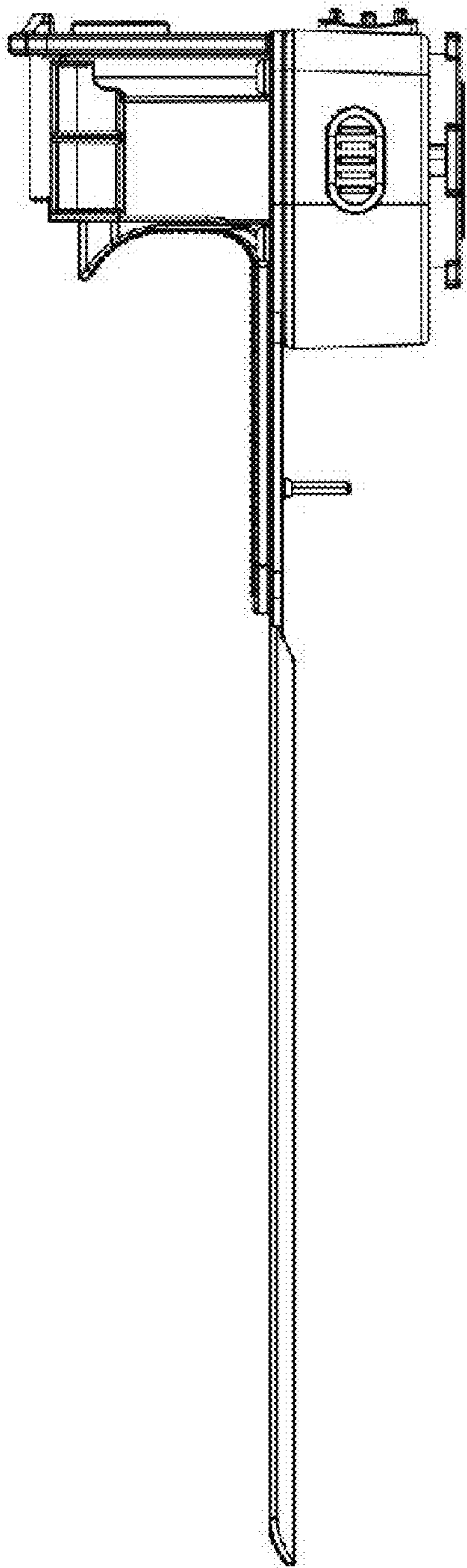


Fig. 2

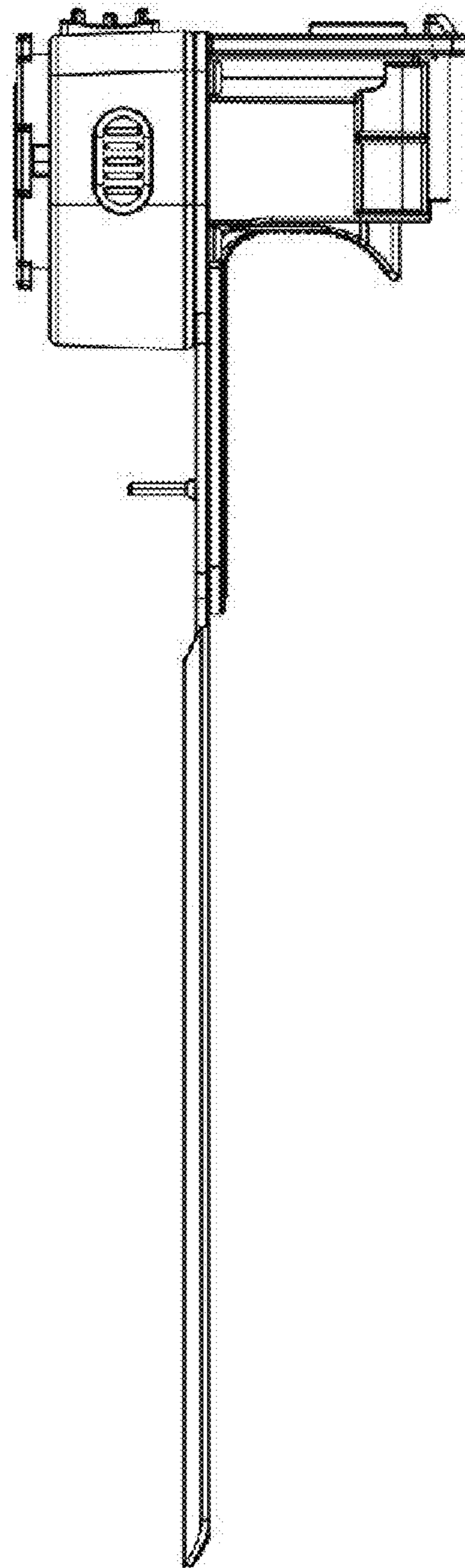


Fig. 3

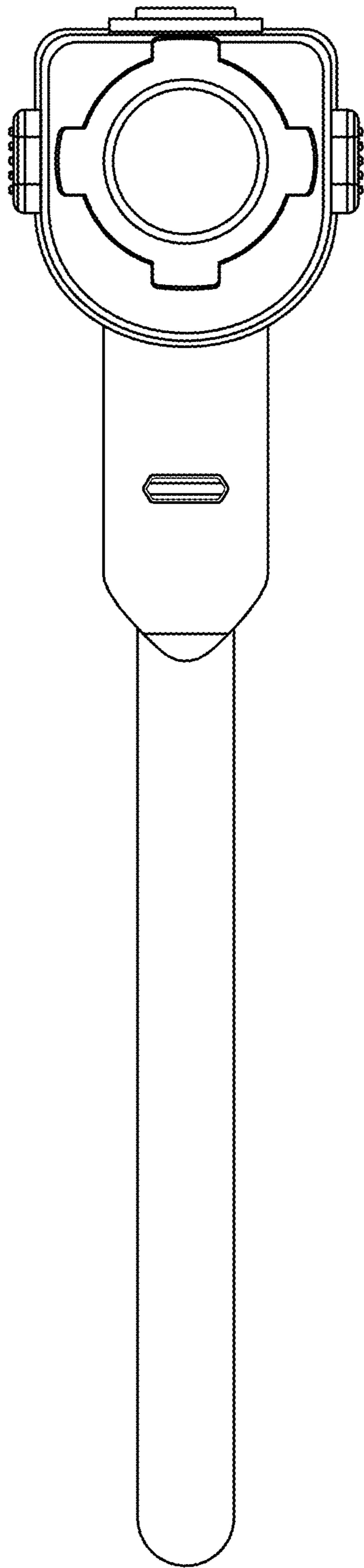


FIG. 4

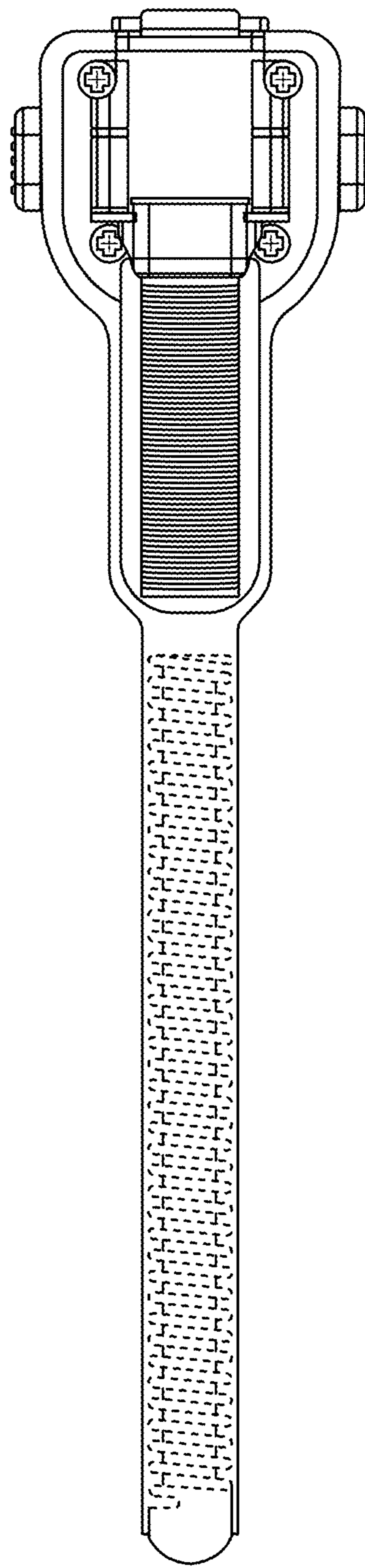


FIG. 5



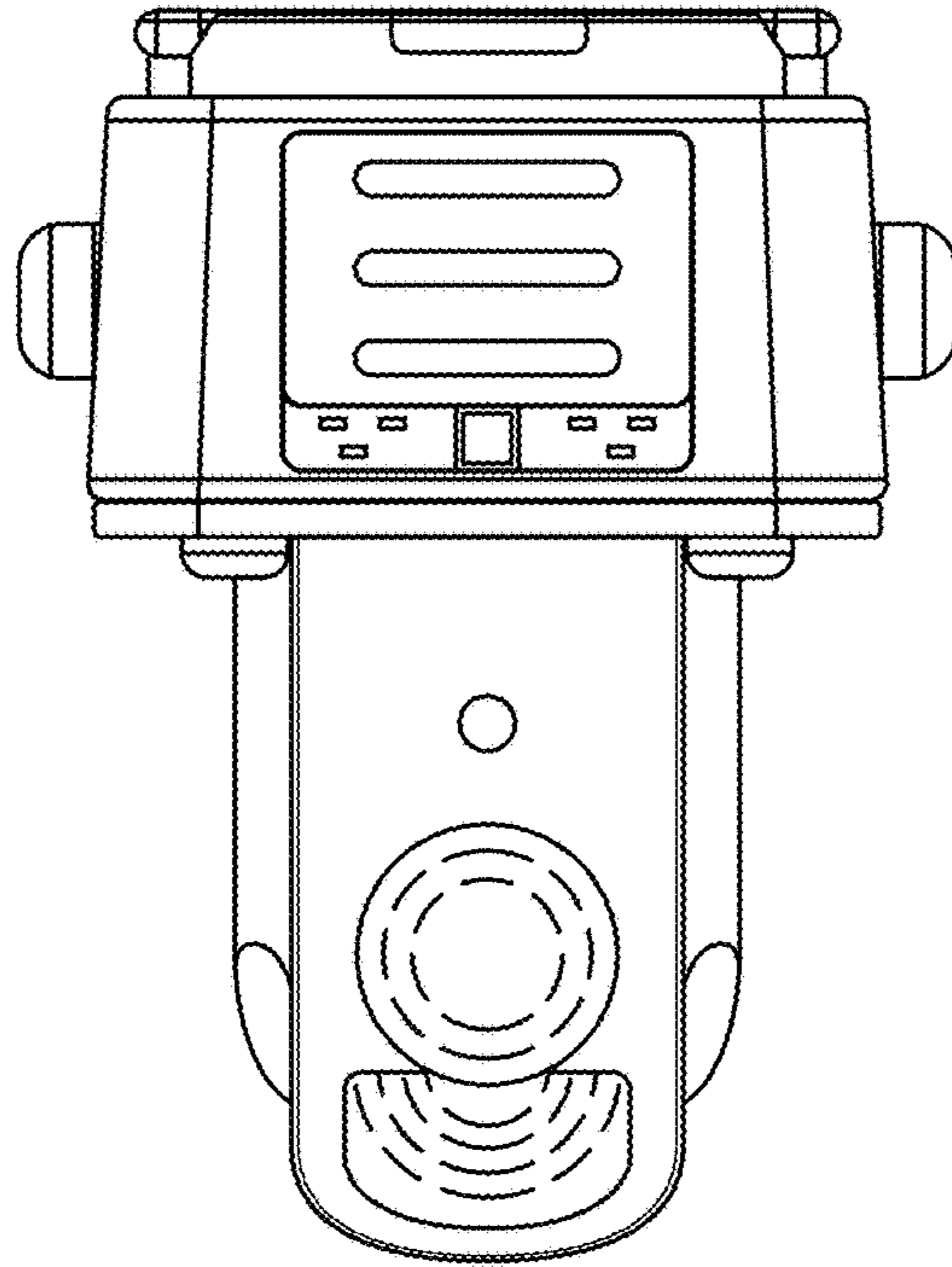


FIG. 6

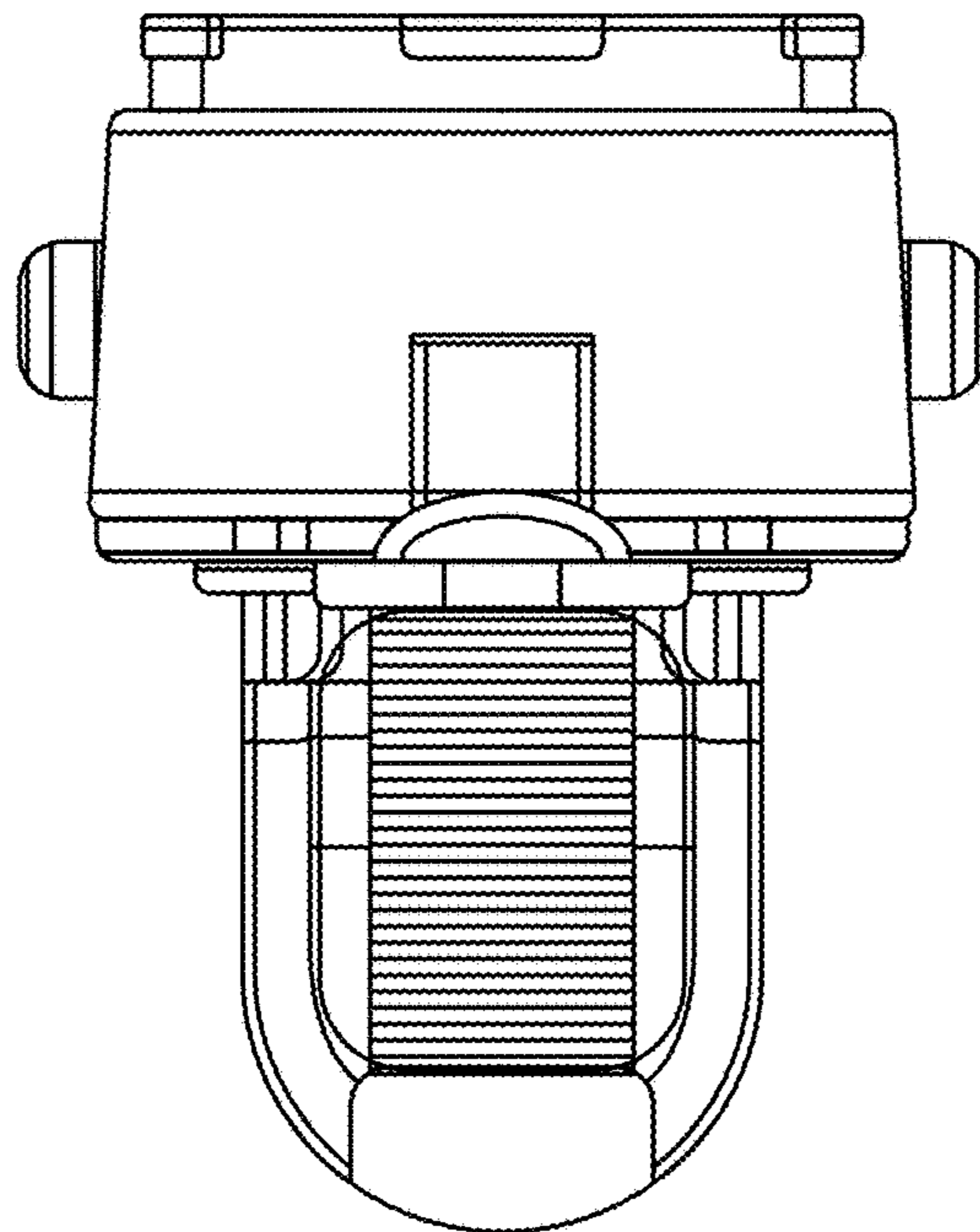


FIG. 7