

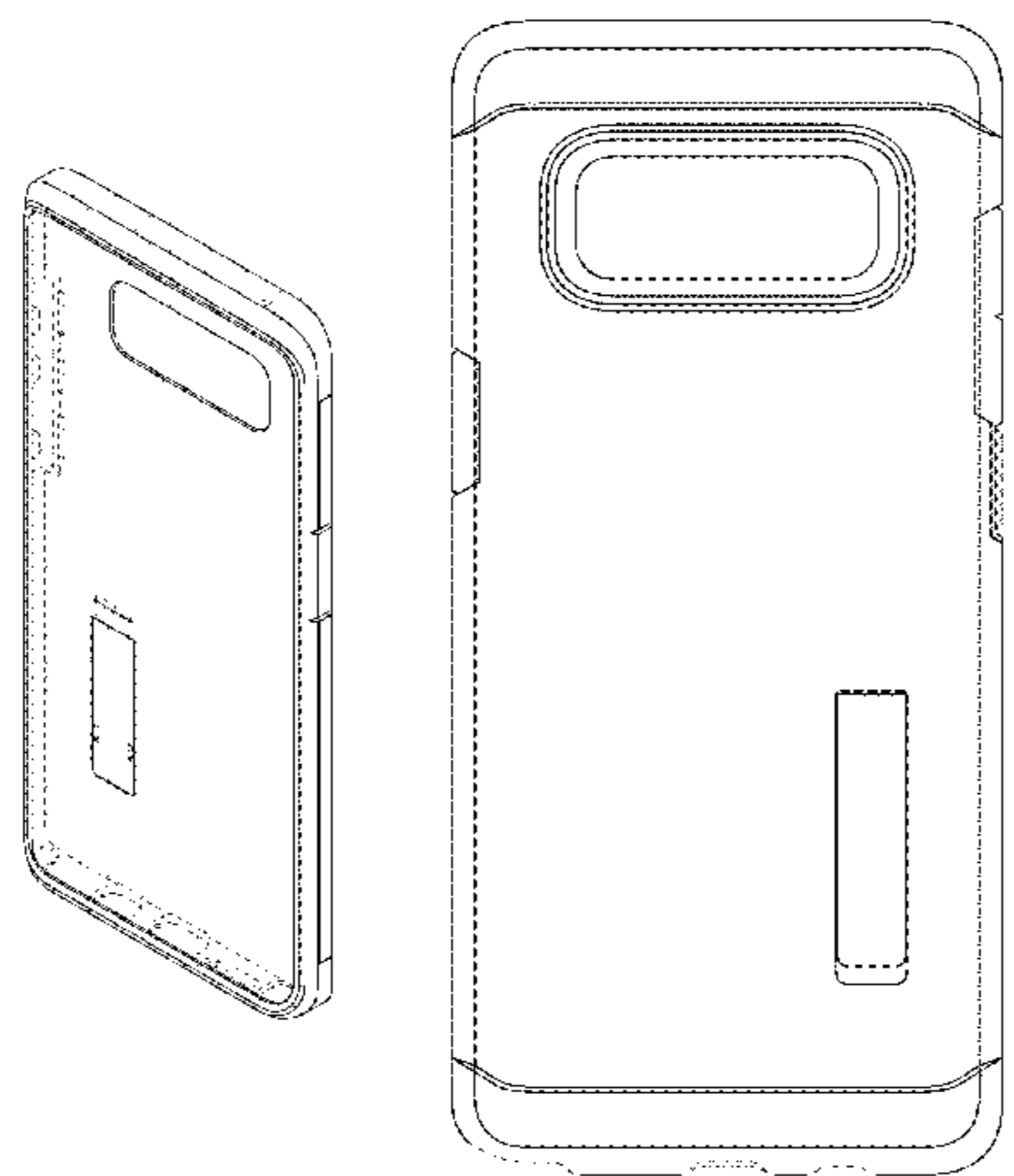
US00D861658S

(12) **United States Design Patent** (10) **Patent No.:** **US D861,658 S**
Yun (45) **Date of Patent:** **** *Oct. 1, 2019**

(54) **CASE FOR ELECTRONIC COMMUNICATIONS DEVICE**
(71) Applicant: **SPIGEN KOREA CO., LTD.**, Seoul (KR)
(72) Inventor: **Sun Woo Yun**, Seoul (KR)
(73) Assignee: **SPIGEN KOREA CO., LTD.**, Seoul (KR)
(*) Notice: This patent is subject to a terminal disclaimer.
(**) Term: **15 Years**
(21) Appl. No.: **29/619,150**
(22) Filed: **Sep. 27, 2017**
(51) **LOC (12) Cl.** **14-03**
(52) **U.S. Cl.**
USPC **D14/250**
(58) **Field of Classification Search**
USPC D14/248, 439, 203.3-203.7, 447, 238.1, D14/440, 251-253, 217, 240, 250; D3/201, 218, 247, 269, 273, 301, 303; D13/103, 107-108, 119
CPC H04B 1/3888; H04M 1/0283; H04M 1/0202; A45C 1/06; A45C 2011/002; A45C 11/00; A45C 13/02; A45F 2005/026; A45F 2200/0525; A45F 2200/0516
See application file for complete search history.

D624,908 S 10/2010 Huskinson
D624,910 S 10/2010 Richardson et al.
D636,387 S 4/2011 Willes
D637,589 S 5/2011 Willes et al.
D646,265 S 10/2011 Fathollahi
D659,691 S 5/2012 Kim et al.
D663,294 S 7/2012 Buxton
D673,547 S 1/2013 Melanson et al.
D676,035 S 2/2013 Chang
D679,271 S 4/2013 Liu
D681,615 S 5/2013 Fathollahi
D682,260 S 5/2013 Tages et al.
D684,150 S 6/2013 Goradesky et al.
D685,361 S 7/2013 Goradesky et al.
8,517,172 B1 8/2013 Chang
8,706,176 B1 4/2014 Jia
D706,254 S 6/2014 Chang
D709,871 S 7/2014 Lee
D714,278 S 9/2014 Case et al.
D721,071 S 1/2015 Nelson
D721,685 S 1/2015 Hasbrook et al.
D732,012 S 6/2015 Tsai et al.
9,049,283 B1 6/2015 Kim
9,185,954 B2 11/2015 Cheung
D749,068 S 2/2016 Zaborski
D749,535 S 2/2016 Joung
D749,594 S 2/2016 Kim
D753,099 S 4/2016 Kim
D755,764 S 5/2016 Dong
D755,772 S 5/2016 Sasaki
D756,339 S 5/2016 Tussy
D756,340 S 5/2016 Babichenko
D756,343 S 5/2016 Wall et al.
D756,909 S 5/2016 Gupta
D756,977 S 5/2016 Schriefer
D756,978 S 5/2016 Addonisio
D756,980 S 5/2016 Beeman
D757,703 S 5/2016 Kanazawa
D759,641 S 6/2016 Lai et al.
D759,642 S 6/2016 Chao
D762,633 S 8/2016 Fife
D765,634 S 9/2016 McCray
D765,635 S 9/2016 Chang
D765,638 S 9/2016 Gaylord
D765,640 S 9/2016 Bulkley
D768,615 S 10/2016 Wang
9,467,189 B2 10/2016 Day et al.
D771,028 S 11/2016 Kim
D771,607 S 11/2016 Kim
D771,608 S 11/2016 Kim
D772,209 S 11/2016 Kim
D772,858 S 11/2016 Hu
9,503,147 B2 11/2016 Witter et al.

(56) **References Cited**
U.S. PATENT DOCUMENTS
D565,291 S 4/2008 Brandenburg et al.
D609,463 S 2/2010 Bullen
D613,761 S 4/2010 Jones
D613,762 S 4/2010 Jones
D613,763 S 4/2010 Jones
D614,668 S 4/2010 Jones
D619,361 S 7/2010 Andre
D621,822 S 8/2010 Richardson et al.
D624,064 S 9/2010 Esposito



D775,620 S *	1/2017	Kim	D14/250
D776,104 S	1/2017	Tien		
D776,649 S *	1/2017	Kim	D14/250
D777,155 S	1/2017	Kim		
D777,156 S	1/2017	Kim		
D777,160 S	1/2017	Kim		
D777,716 S *	1/2017	Kim	D14/250
D777,717 S *	1/2017	Kim	D14/250
9,545,140 B1	1/2017	Johnson et al.		
D778,898 S	2/2017	Kim		
D780,166 S	2/2017	Lin		
D780,167 S	2/2017	Tien		
D781,834 S	3/2017	Kim et al.		
D786,851 S	5/2017	Kim		
D786,852 S	5/2017	Kim		
D787,491 S	5/2017	Kim		
D787,492 S *	5/2017	Kim	D14/250
D788,760 S *	6/2017	Kim	D14/250
D789,344 S *	6/2017	Kim	D14/250
9,675,150 B2 *	6/2017	Kim	A45C 11/182
9,677,702 B2 *	6/2017	Kim	F16M 11/00
D791,116 S *	7/2017	Kim	D14/250
D791,755 S	7/2017	Kim		
D796,497 S	9/2017	Kim		
D797,094 S *	9/2017	Kim	D14/250
D800,713 S	10/2017	Kim		
D803,206 S	11/2017	Kim		
2009/0017883 A1	1/2009	Lin		
2011/0050606 A1	3/2011	Zhang		
2013/0077211 A1	3/2013	Wang		
2013/0126531 A1	5/2013	Hynecek		
2014/0085777 A1 *	3/2014	Yeh	H04M 1/0202 361/679.01
2014/0262855 A1	9/2014	Gandhi		
2014/0360892 A1	12/2014	Lin		
2015/0156297 A1	6/2015	Crawford		
2015/0335116 A1	11/2015	Kim		
2016/0028430 A1	1/2016	Crawford		
2016/0101902 A1	4/2016	Kim		
2016/0204817 A1	7/2016	Kim		
2016/0269516 A1 *	9/2016	Kim	H04M 1/04
2016/0285301 A1	9/2016	Kim		
2016/0374443 A1	12/2016	Kim		
2017/0150792 A1	6/2017	Kim		
2017/0155418 A1 *	6/2017	Kim	H04B 1/3888
2017/0230072 A1	8/2017	Kim		
2018/0041237 A1 *	2/2018	Mody	H04B 1/3877

OTHER PUBLICATIONS

“Spigen Tough Armor Galaxy Note 4 Case with Extreme Heavy Duty Protection and Air Cushion Technology for Samsung Galaxy Note 4 2014—Gunmetal”, <https://www.amazon.com/dp/B00MAWQU14>, Earliest review date of Oct. 9, 2014.

“Spigen Tough Armor Galaxy S5 Case with Extreme Heavy Duty Protection and Air Cushion Technology for Samsung Galaxy S5 2014—Gunmetal”, <https://www.amazon.com/dp/B00I3UWDV8>, Earliest review date of Mar. 9, 2014.

“Spigen Tough Armor Galaxy S6 Case with Kickstand and Air Cushion Technology for Galaxy S6 2015—Gunmetal”, <https://www.amazon.com/dp/B00QU4PUKK>, Earliest review date of Mar. 23, 2015.

“Spigen Tough Armor Galaxy S6 Edge Case with Kickstand and Extreme Heavy Duty Protection and Air Cushion Technology for Galaxy S6 Edge 2015—Gunmetal”, <https://www.amazon.com/dp/B00SV63L38>, Earliest review date of Mar. 12, 2015.

“Spigen Tough Armor Galaxy S7 Case with Extreme Heavy Duty Protection and Air Cushion Technology for Samsung Galaxy S7 2016—Gunmetal”, <https://www.amazon.com/dp/B01A7ID3PS>, Earliest review date of Feb. 25, 2016.

“Spigen Tough Armor Galaxy S7 Edge Case with Kickstand and Extreme Heavy Duty Protection and Air Cushion Technology for Samsung Galaxy S7 Edge 2016—Gunmetal”, <https://www.amazon.com/dp/B01A7IDNWQ>, Earliest review date of Feb. 24, 2016.

“Spigen Tough Armor iPhone 6 Case with Extreme Heavy Duty Protection and Air Cushion Technology for iPhone 6S / iPhone

6—Smooth Black”, <https://www.amazon.com/dp/B00NSSX23I>, Earliest review date of Aug. 14, 2014.

“Spigen Tough Armor iPhone 6S Case with Extreme Heavy Duty Protection and Air Cushion Technology for iPhone 6S 2015—Rose Gold”, <https://www.amazon.com/dp/B013TKNNGK>, Earliest review date of Aug. 30, 2015.

“Spigen Tough Armor iPhone 6S Plus Case with Kickstand and Heavy Duty Air Cushion Technology Protection for iPhone 6S Plus 2015—Gunmetal”, <https://www.amazon.com/dp/B010MVQJPQ>, Earliest review date of Sep. 9, 2015.

“Spigen Tough Armor iPhone 7 Case with Extreme Heavy Duty Protection and Air Cushion Technology for iPhone 7 2016—Black”, <https://www.amazon.com/dp/B01GIVX30I>, Earliest review date of Sep. 9, 2016.

“Spigen Tough Armor iPhone 7 Plus / iPhone 8 Plus Case with Extreme Heavy Duty Protection and Air Cushion Technology with Kickstand for Apple iPhone 7 Plus 2016 / iPhone 8 Plus 2017—Rose Gold”, <https://www.amazon.com/dp/B01GIWGE8A>, Earliest review date of Sep. 6, 2016.

“Spigen Tough Armor iPhone SE Case with Extreme Heavy Duty Protection and Air Cushion Technology for iPhone SE 2016—Black”, <https://www.amazon.com/dp/B01BEJB9XM>, Earliest review date of Apr. 7, 2016.

“Spigen Tough Armor iPhone SE/5S/5 Case with Extreme Heavy Duty Protection and Air Cushion Technology for Phone SE/iPhone 5S/iPhone 5—Metal Slate”, <https://www.amazon.com/dp/B00DMKGPP4>, Earliest review date of Aug. 1, 2013.

“Spigen Tough Armor LG G5 Case with Reinforced Kickstand and Heavy Duty Protection and Air Cushion Technology for LG G5 (2016)—Gunmetal”, <https://www.amazon.com/dp/B01B1GQL6I>, Earliest review date of Mar. 11, 2016.

“Spigen Tough Armor Designed for Apple iPad Mini 3 Case, iPad Mini 2 Case, iPad Mini Case—Metal Slate”, <https://www.amazon.com/Spigen-Tough-Armor-Designed-Apple/dp/B00FRCDVXK>, Earliest review date of Dec. 27, 2013, Downloaded on Jan. 15, 2019.

“Spigen Tough Armor iPhone 6 Plus Case with Kickstand and Extreme Heavy Duty Protection and Air Cushion Technology for iPhone 6S Plus / iPhone 6 Plus—Gunmetal”, <https://www.amazon.com/dp/B00LL987W2>, Earliest review date of Jul. 8, 2014, Downloaded on Oct. 4, 2017.

“Spigen Tough Armor iPhone 6 Case with Extreme Heavy Duty Protection and Air Cushion Technology for iPhone 6S / iPhone 6—Gunmetal”, <https://www.amazon.com/Spigen-Extreme-Protection-Cushion-Technology/dp/B00LL60JU8>, Earliest review date of Sep. 10, 2014, Downloaded on Jan. 15, 2019.

“Spigen Tough Armor S iPhone 6 Case with Extreme Heavy Duty Protection and Card Kickstand Feature for iPhone 6S / iPhone 6—S Mint”, <https://www.amazon.com/Spigen-Extreme-Protection-Kickstand-Feature/dp/B00LL65B06>, Earliest review date of Sep. 18, 2014, Downloaded on Jan. 15, 2019.

“Spigen Tough Armor FX iPhone 6 Case with Extreme Protection and Front Built-In Screen Protector Cover for iPhone 6S / iPhone 6—Gunmetal”, <https://www.amazon.com/Spigen-iPhone-Extreme-Protection-Protector/dp/B00PR9XE5C>, Earliest review date of Jan. 8, 2015, Downloaded on Jan. 15, 2019.

Korguenkomodo, “Slim Armor case—Galaxy S6 Edge Plus”, https://www.youtube.com/watch?v=hrEnHS_S1i4, Published on Oct. 12, Downloaded on Mar. 19, 2019.

“Spigen Tough Armor Designed for Apple iPad Mini 4 Case (2015)—Gunmetal”, <https://www.amazon.com/Spigen-Tough-Armor-Designed-Apple/dp/B013J4LNWC>, Earliest review date of Nov. 21, 2015, Downloaded on Jan. 15, 2019.

“Spigen Tough Armor HEAVY DUTY Extreme Protection Rugged Slim Dual Layer Protective Cover Case for Apple iPhone 7—Gunmetal”, <https://www.amazon.co.uk/dp/B01GIVWY30>, Date first available at Amazon.co.uk of Aug. 2, 2016, Downloaded on Sep. 17, 2018.

“Spigen Tough Armor iPhone 7 Case with Jet Black Optimized Color and Extreme Heavy Duty Protection and Air cushion Technology for iPhone 7 2016—Jet Black”, <https://www.amazon.com/>

Spigen-Optimized-Extreme-Protection-Technology/dp/B01LRSFLFM, Earliest review date of Sep. 25, 2016, Downloaded on Aug. 9, 2018.

* cited by examiner

Primary Examiner — Carla J Wright

(74) *Attorney, Agent, or Firm* — Heedong Chae; Lucem, PC

(57) **CLAIM**

The ornamental design for a case for electronic communications device, as shown and described.

DESCRIPTION

FIG. 1 is a front perspective view of a case for electronic communications device showing my new design;
FIG. 2 is a rear perspective view thereof;
FIG. 3 is a front elevational view thereof;
FIG. 4 is a rear elevational view thereof;
FIG. 5 is a left side elevational view thereof;
FIG. 6 is a right side elevational view thereof;
FIG. 7 is a top plan view thereof;
FIG. 8 is a bottom plan view thereof;
FIG. 9 is a front perspective view showing the inner shell component of the case separately for clarity of disclosure;
FIG. 10 is a rear perspective view showing the inner shell component of the case separately for clarity of disclosure;

FIG. 11 is a front perspective view showing the outer frame component of the case separately for clarity of disclosure;
FIG. 12 is a rear perspective view showing the outer frame component of the case separately for clarity of disclosure;
FIG. 13 is a front perspective view showing the support component of the case separately for clarity of disclosure;
FIG. 14 is a rear perspective view showing the support leg component of the case separately for clarity of disclosure;
FIG. 15 is an exploded front perspective view showing the components of the case separated for clarity of disclosure; and,

FIG. 16 is an exploded rear perspective view showing the components of the case separated for clarity of disclosure. Although the case for electronic communications device, in which the claimed design is embodied, consists of an inner shell component/ an outer frame component, and a support leg component, the claim is directed to the ornamental appearance of the case for electronic communications device in its entirety and does not extend to the ornamental appearance of each of the individual components of the case for electronic communications device.

The broken lines throughout the drawing figures depict portions of the case for electronic communications device that form no part of the claimed design. The interior of the inner shell component of the case shown in FIGS. 1, 3, 9, and 15 forms no part of the claimed design. The broken lines and regions bounded by broken lines form no part of the claimed design.

1 Claim, 16 Drawing Sheets

FIG. 1

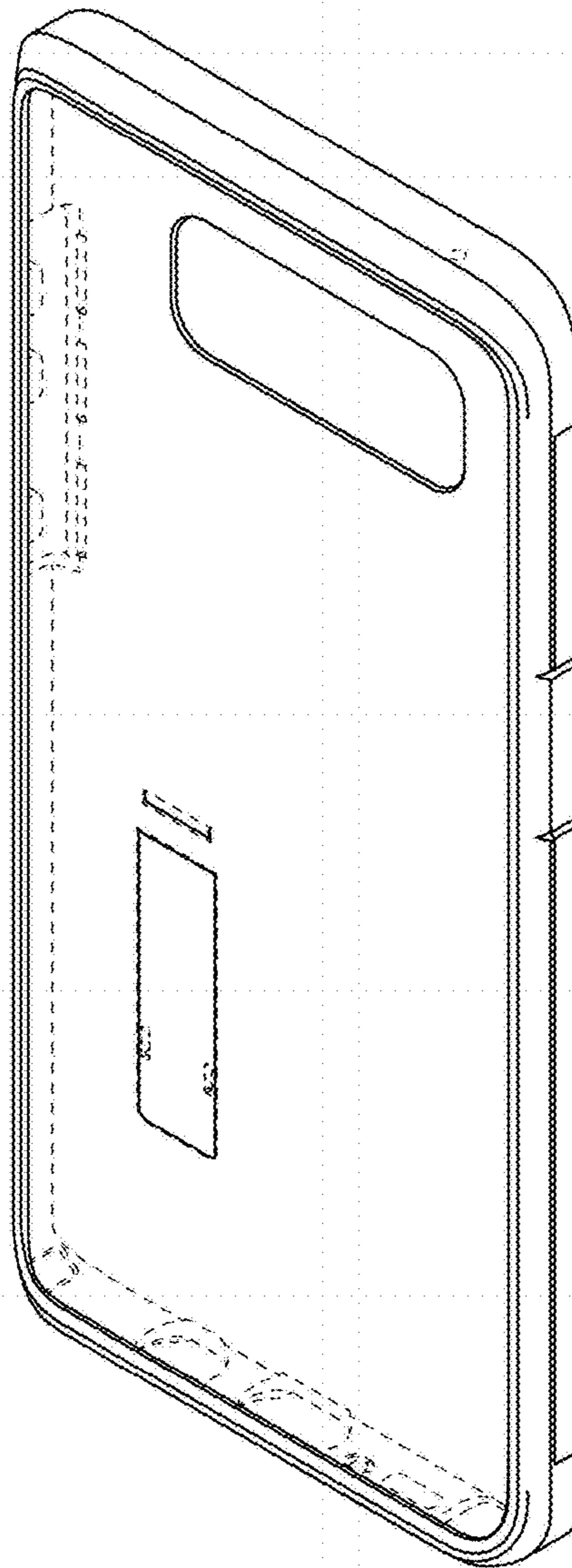


FIG. 2

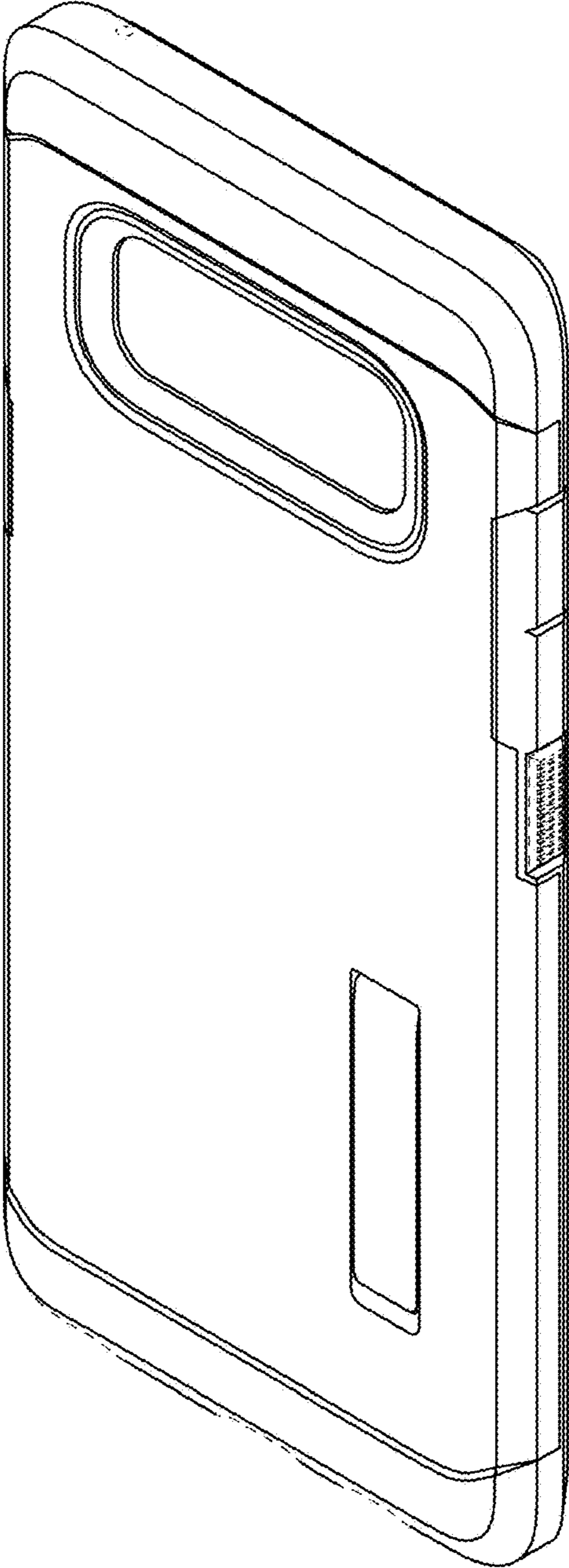


FIG. 3

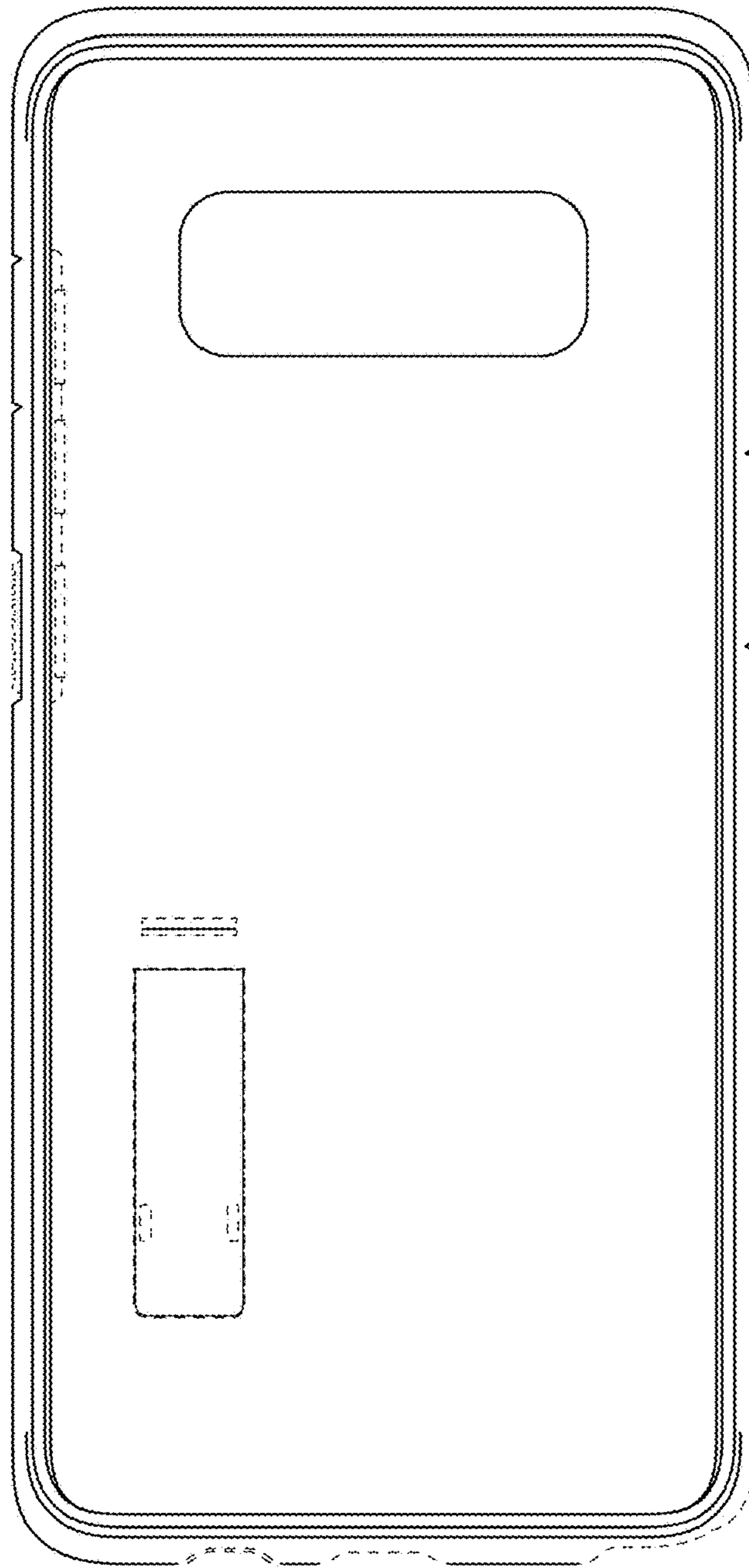


FIG. 4

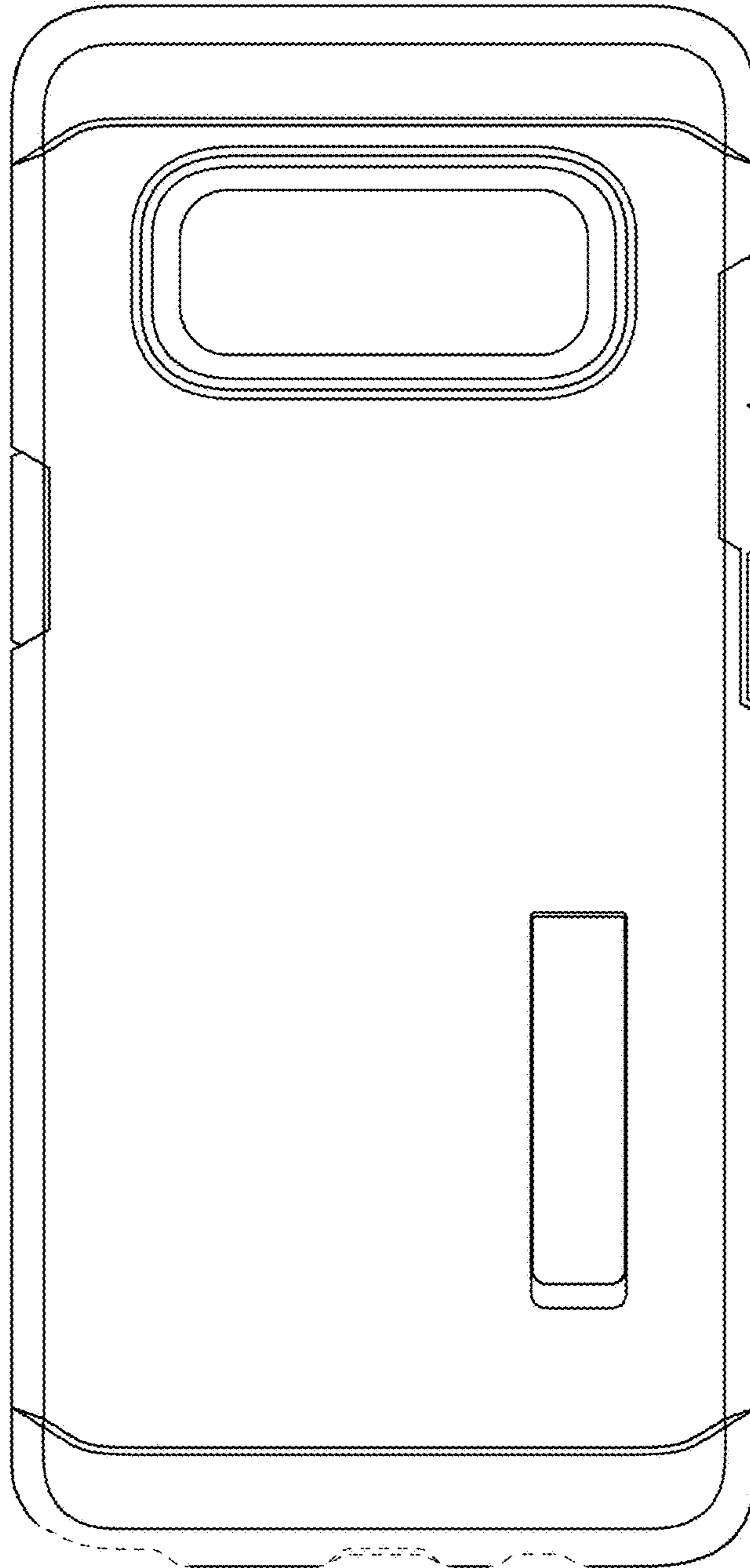


FIG. 5

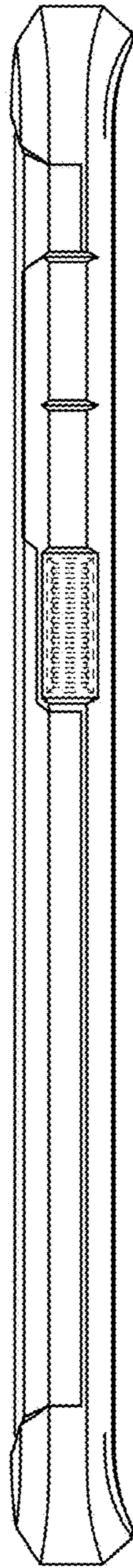


FIG. 6

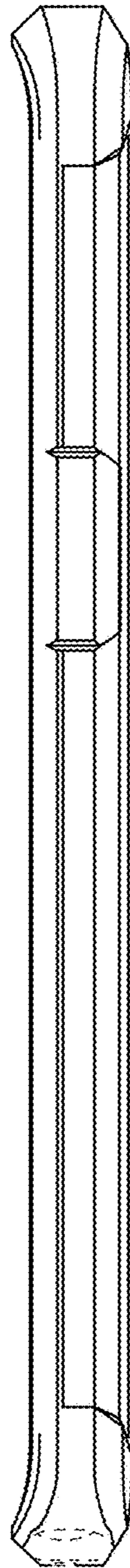


FIG. 7

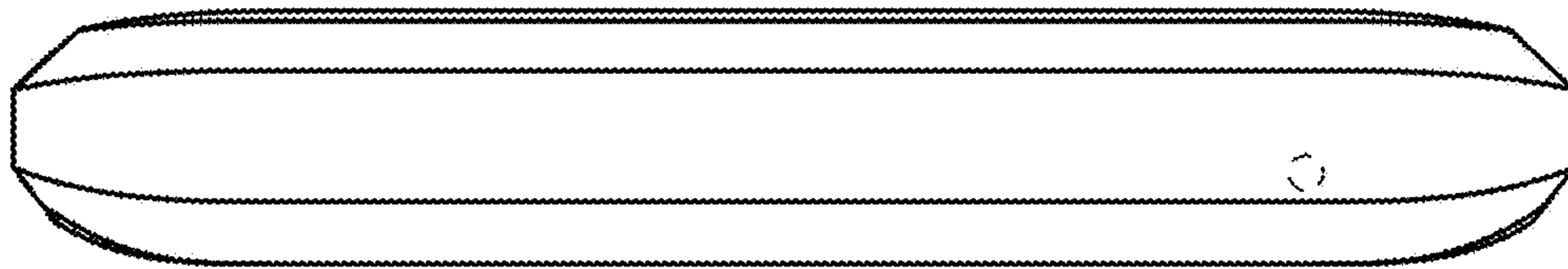


FIG. 8

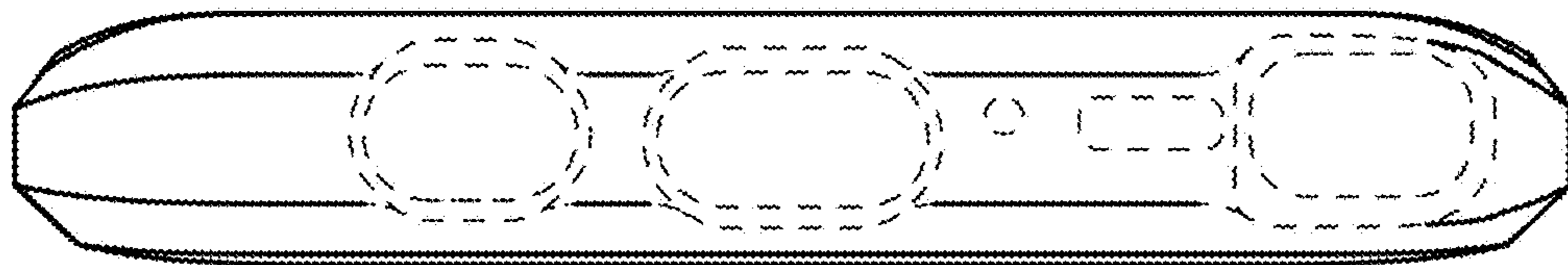


FIG. 9

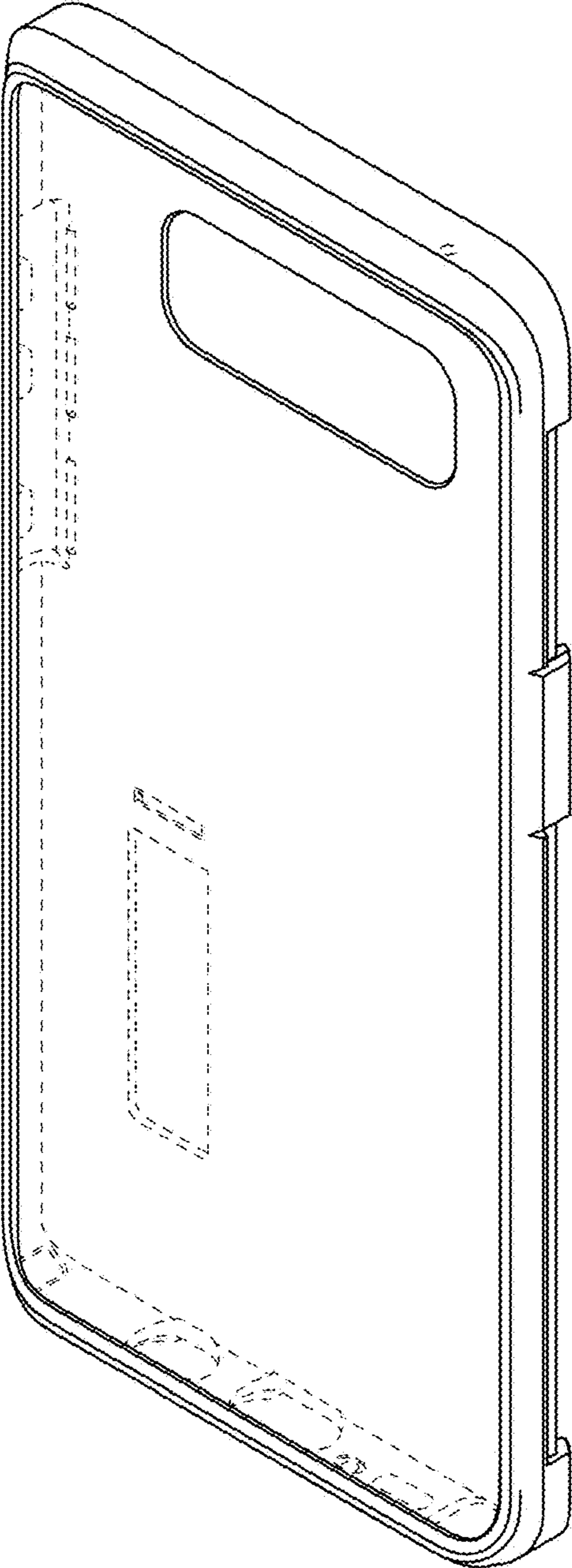


FIG. 10

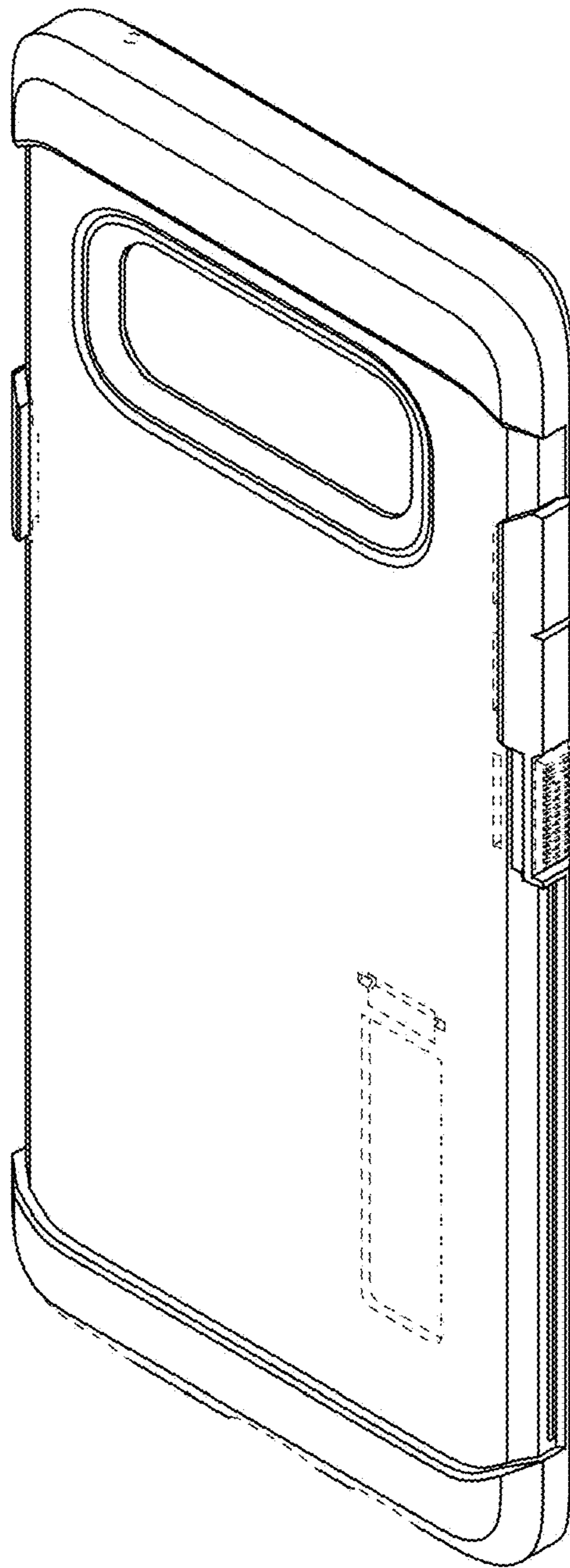


FIG. 11

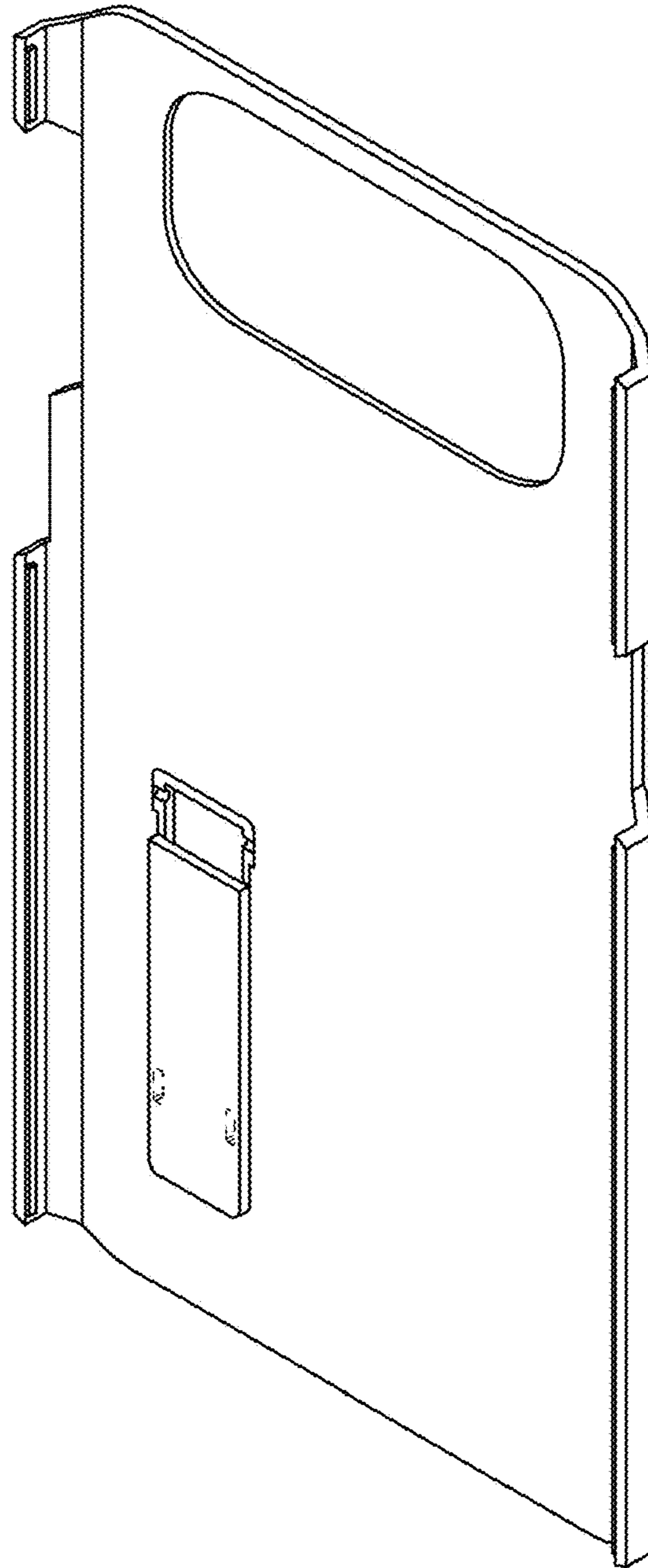


FIG. 12

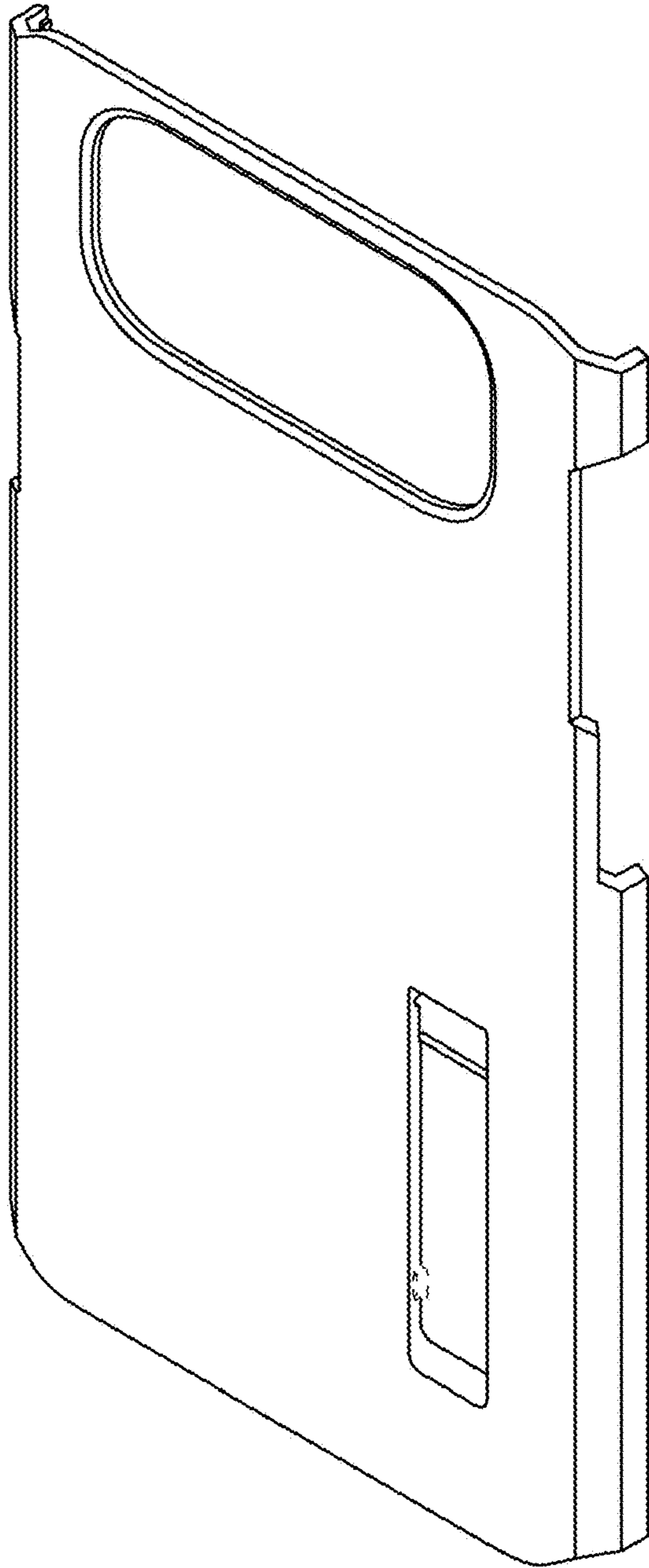


FIG. 13

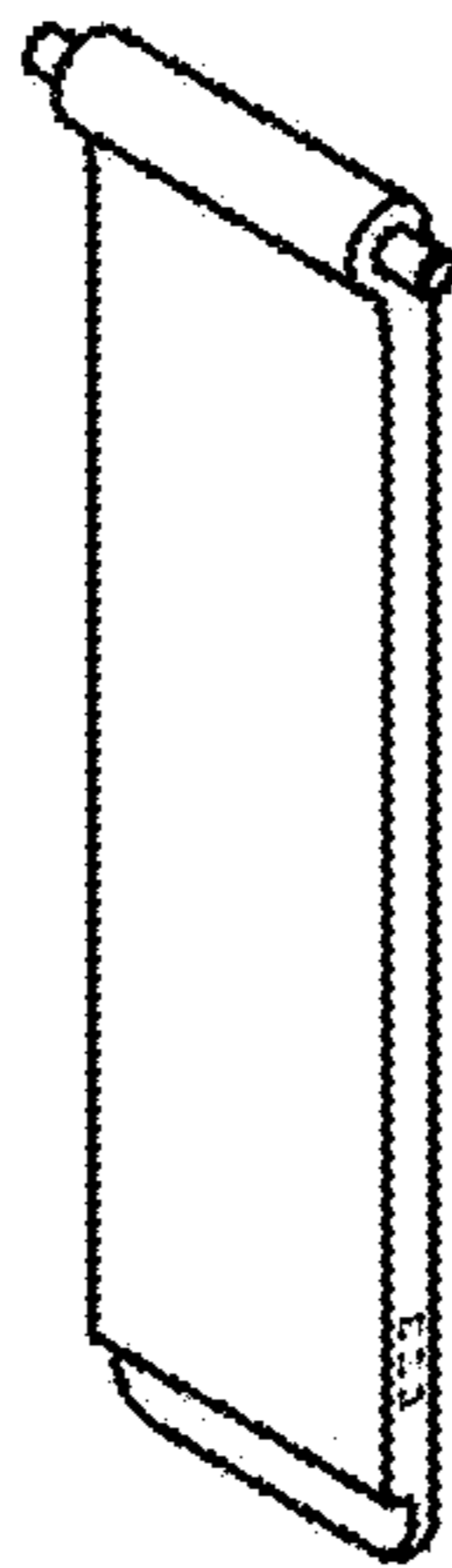


FIG. 14

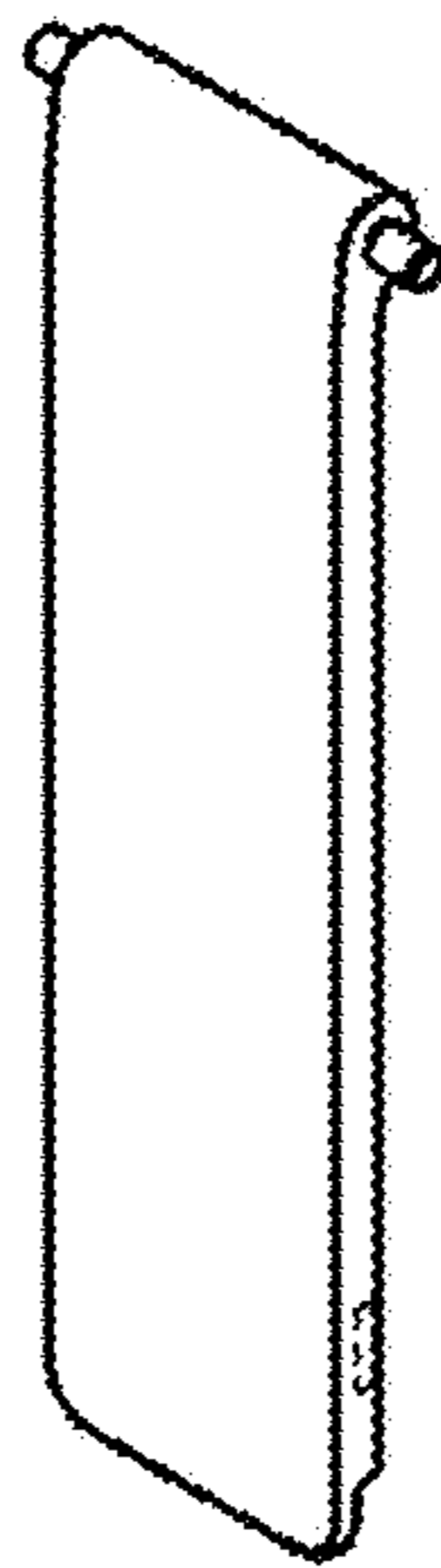


FIG. 15

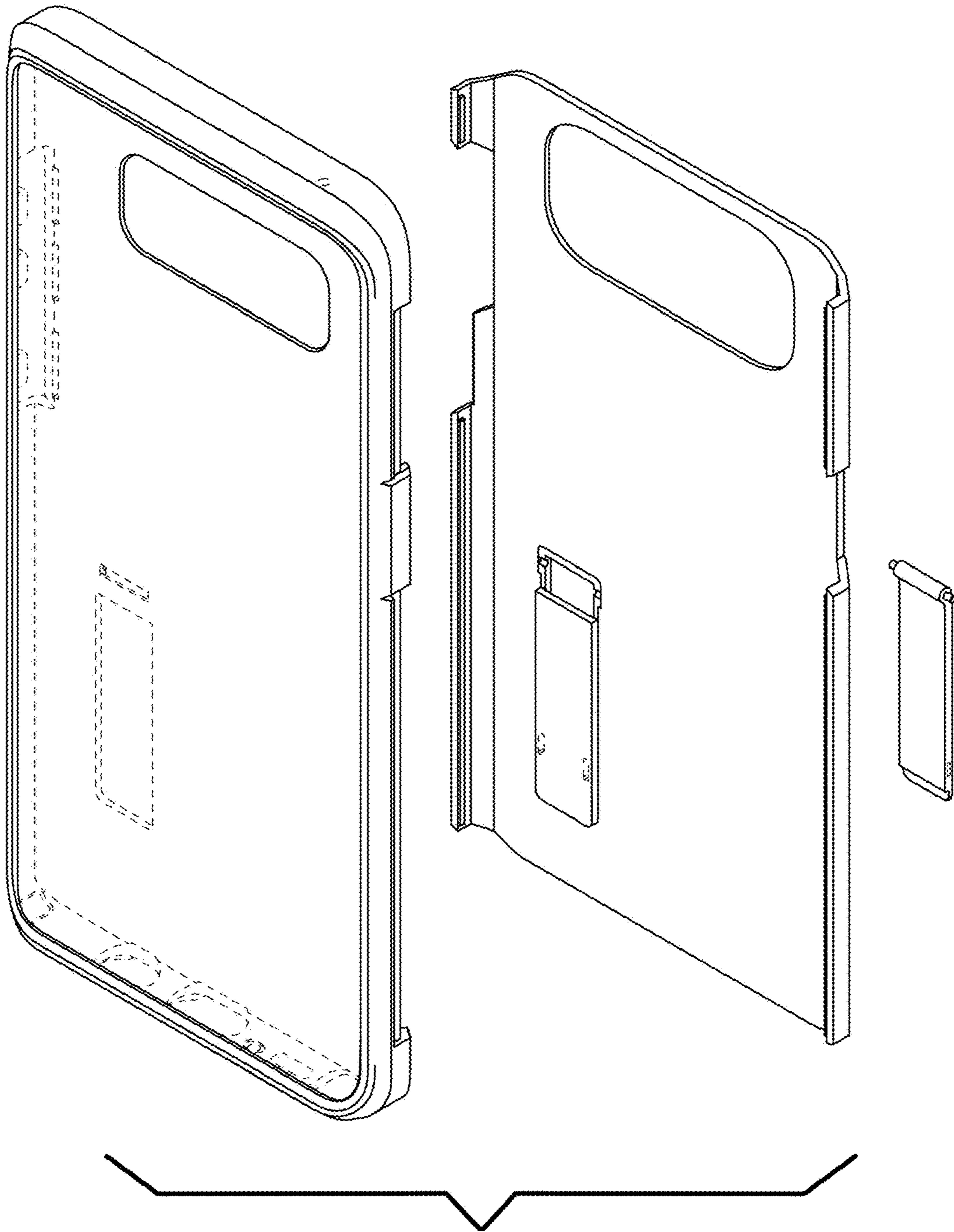


FIG. 16

