

US00D861654S

(12) **United States Design Patent** (10) **Patent No.:** **US D861,654 S**
Dang et al. (45) **Date of Patent:** **** *Oct. 1, 2019**

(54) **CASE FOR A MOBILE ELECTRONIC DEVICE**

(71) Applicant: **mophie inc.**, Tustin, CA (US)

(72) Inventors: **Dat Minh Dang**, Westminster, CA (US); **Nguyen To**, Corona, CA (US); **Ming Chiao Chiang**, Walnut, CA (US); **Charles Seung Kim**, Irvine, CA (US); **Fanpeng Zeng**, Shenzhen (CN)

(73) Assignee: **mophie inc.**, Irvine, CA (US)

(*) Notice: This patent is subject to a terminal disclaimer.

(**) Term: **15 Years**

(21) Appl. No.: **29/556,805**

(22) Filed: **Mar. 3, 2016**

(51) **LOC (12) Cl.** **14-03**

(52) **U.S. Cl.**
USPC **D14/250**

(58) **Field of Classification Search**
USPC D3/218, 232, 233, 239, 242, 245-251, D3/269, 273, 301, 303; D13/103, 107, D13/108, 119; D14/137, 138 R, 138 AA, D14/138 C, 138 G, 203.3-203.7, 217, D14/238.1, 247, 248, 250, 251-253, 440
CPC H04B 1/3888; H04M 1/0283; H04M 1/0202; A45C 1/06; A45C 2011/002; A45C 11/00; A45F 2005/028; A45F 2200/0525

See application file for complete search history.

(56) **References Cited**

U.S. PATENT DOCUMENTS

6,471,056 B1 10/2002 Tzeng
6,646,864 B2 11/2003 Richardson
7,158,376 B2 1/2007 Richardson et al.
7,180,735 B2 2/2007 Thomas et al.
7,230,823 B2 6/2007 Richardson et al.
D556,681 S 12/2007 Kim
7,312,984 B2 12/2007 Richardson et al.

D561,092 S 2/2008 Kim
D565,291 S 4/2008 Brandenburg et al.
D574,819 S 8/2008 Andre et al.
D575,056 S 8/2008 Tan
D581,151 S 11/2008 Aipa
D582,149 S 12/2008 Tan
7,479,759 B2 1/2009 Vilanov et al.
D587,896 S 3/2009 Aipa
D597,089 S 7/2009 Khan et al.
D600,908 S 9/2009 Richardson et al.
7,609,512 B2 10/2009 Richardson et al.
D603,603 S 11/2009 Laine et al.
7,612,997 B1 11/2009 Diebel et al.
D605,850 S 12/2009 Richardson et al.
D606,528 S 12/2009 Khan et al.
D606,529 S 12/2009 Ferrari et al.
7,638,969 B2 12/2009 Woud
D609,228 S 2/2010 Ferrari et al.
D609,463 S 2/2010 Bullen
7,656,120 B2 2/2010 Neu et al.
D610,807 S 3/2010 Bau
D611,042 S 3/2010 Ferrari et al.
D613,282 S 4/2010 Richardson et al.
D615,077 S 5/2010 Richardson et al.
D615,535 S 5/2010 Richardson et al.
D615,536 S 5/2010 Richardson et al.
D615,967 S 5/2010 Richardson et al.
D616,360 S 5/2010 Huang
D616,361 S * 5/2010 Huang D13/103
D617,784 S 6/2010 Richardson et al.
D617,785 S 6/2010 Richardson et al.
D617,786 S 6/2010 Richardson et al.
D617,787 S 6/2010 Richardson et al.
D618,231 S 6/2010 Fahrendorff et al.
D619,573 S 7/2010 Khan et al.
D619,574 S 7/2010 Richardson et al.
D620,000 S 7/2010 Bau
D620,487 S 7/2010 Richardson et al.
D621,394 S 8/2010 Richardson et al.
D621,395 S 8/2010 Richardson et al.
D621,821 S 8/2010 Richardson et al.
D621,822 S 8/2010 Richardson et al.
7,782,610 B2 8/2010 Diebel et al.
D623,180 S 9/2010 Diebel
D623,638 S 9/2010 Richardson et al.
D623,639 S 9/2010 Richardson et al.
D623,640 S * 9/2010 Freeman D14/250
D624,533 S 9/2010 Richardson et al.
D624,908 S 10/2010 Huskinson
D624,909 S 10/2010 Huskinson
D624,910 S 10/2010 Richardson et al.
D626,120 S 10/2010 Richardson et al.
D626,121 S 10/2010 Richardson et al.

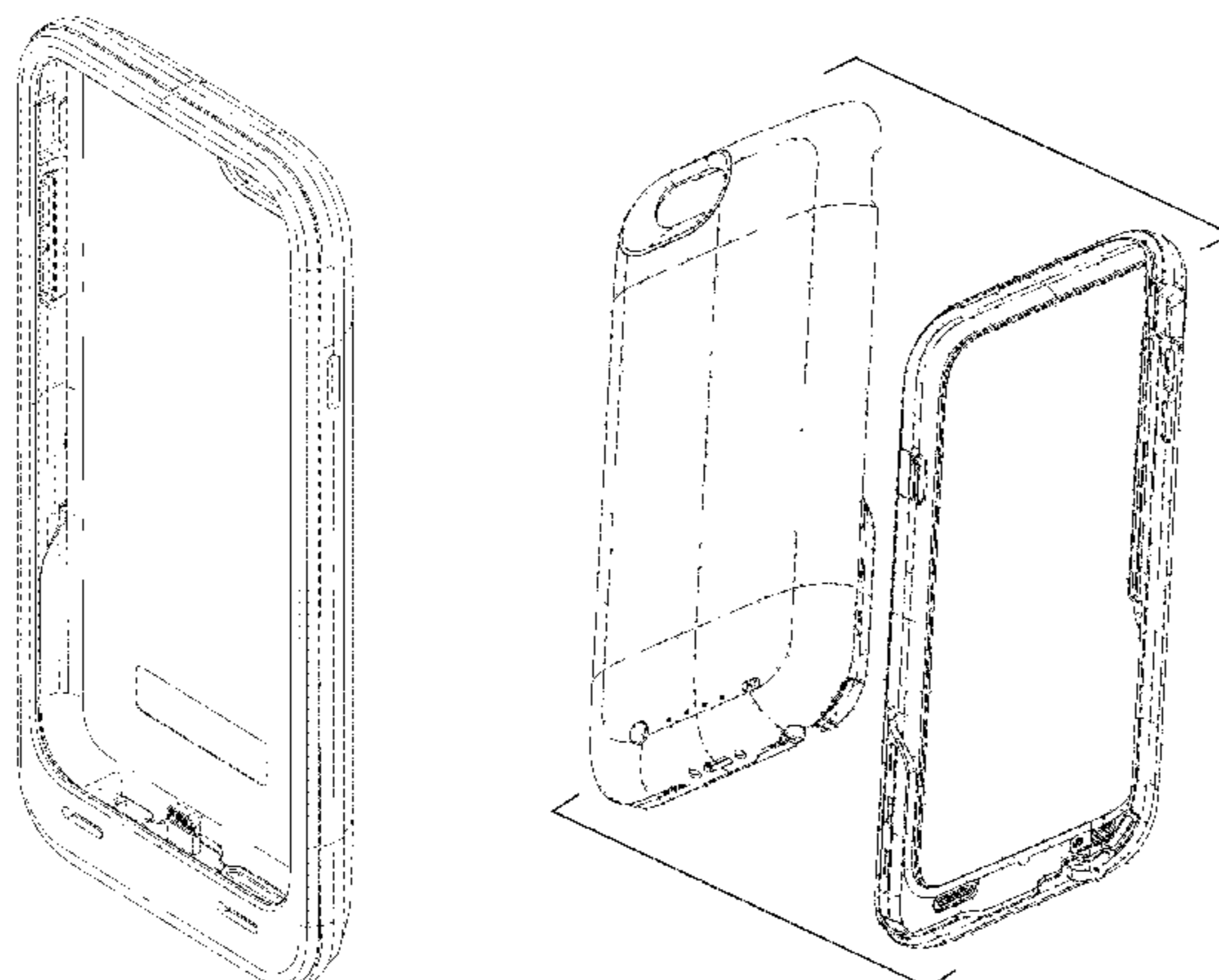


FIG. 27 is a top view thereof; and,
FIG. 28 is a bottom view thereof.

For clarity of disclosure, the components of the case are shown separated in FIGS. 9-14 and 23-28. Although the case for a mobile electronic device, in which the claimed design is embodied, consists of two separable components, the claim is directed to the overall ornamental appearance of the case for a mobile electronic device in its entirety and does not extend to the ornamental appearance of each of the individual components.

The broken lines depict portions of the second embodiment of the case for a mobile electronic device that form no part of the second embodiment of the claimed design. Broken lines and unshaded regions bounded by broken lines form no part of the claimed design.

1 Claim, 20 Drawing Sheets

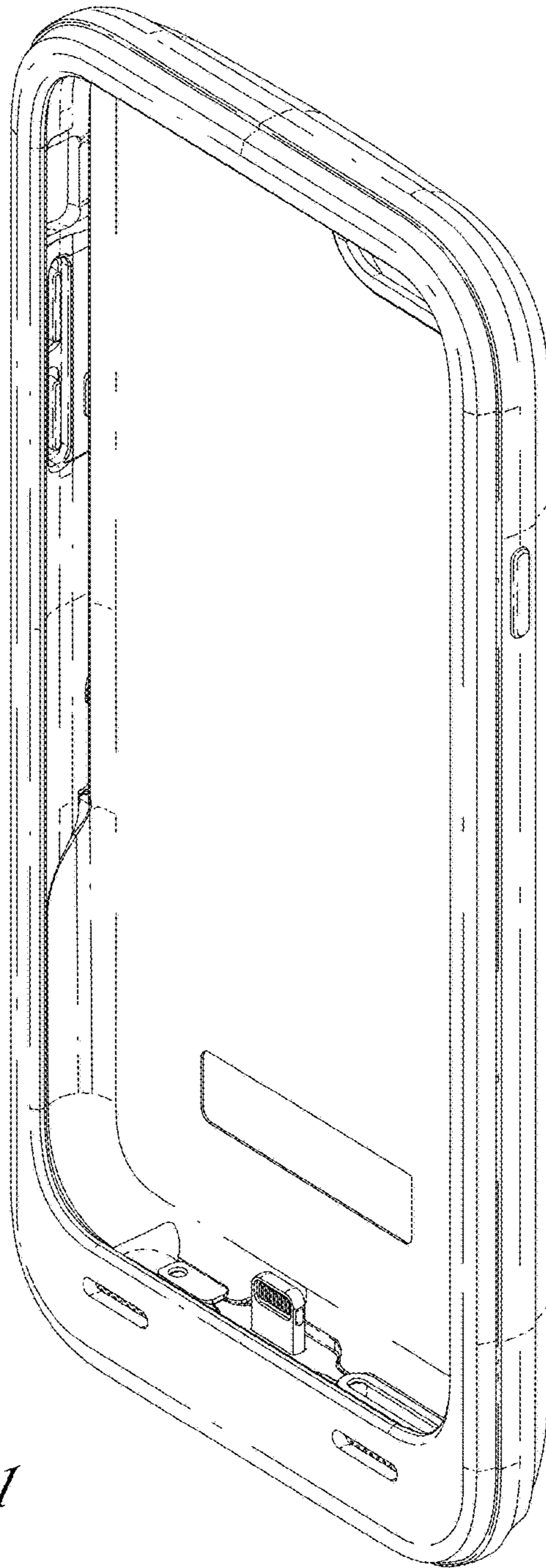


FIG. 1

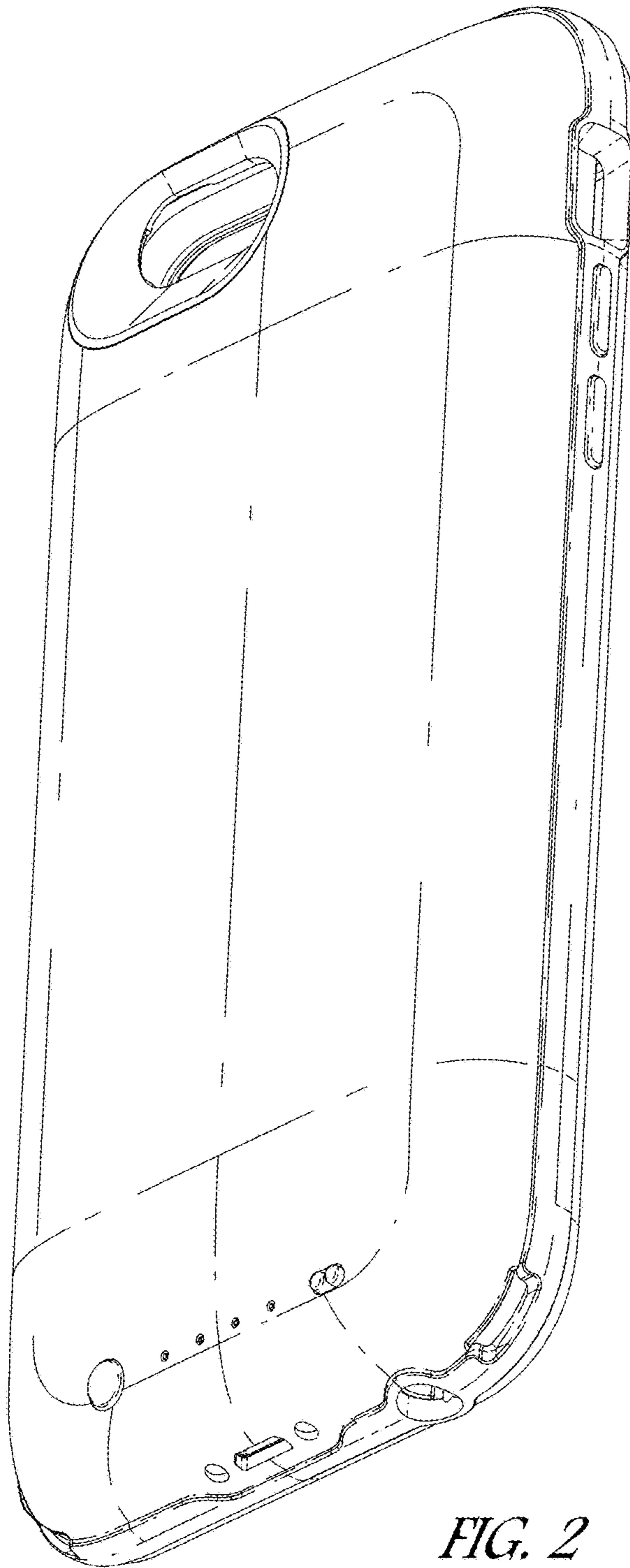


FIG. 2

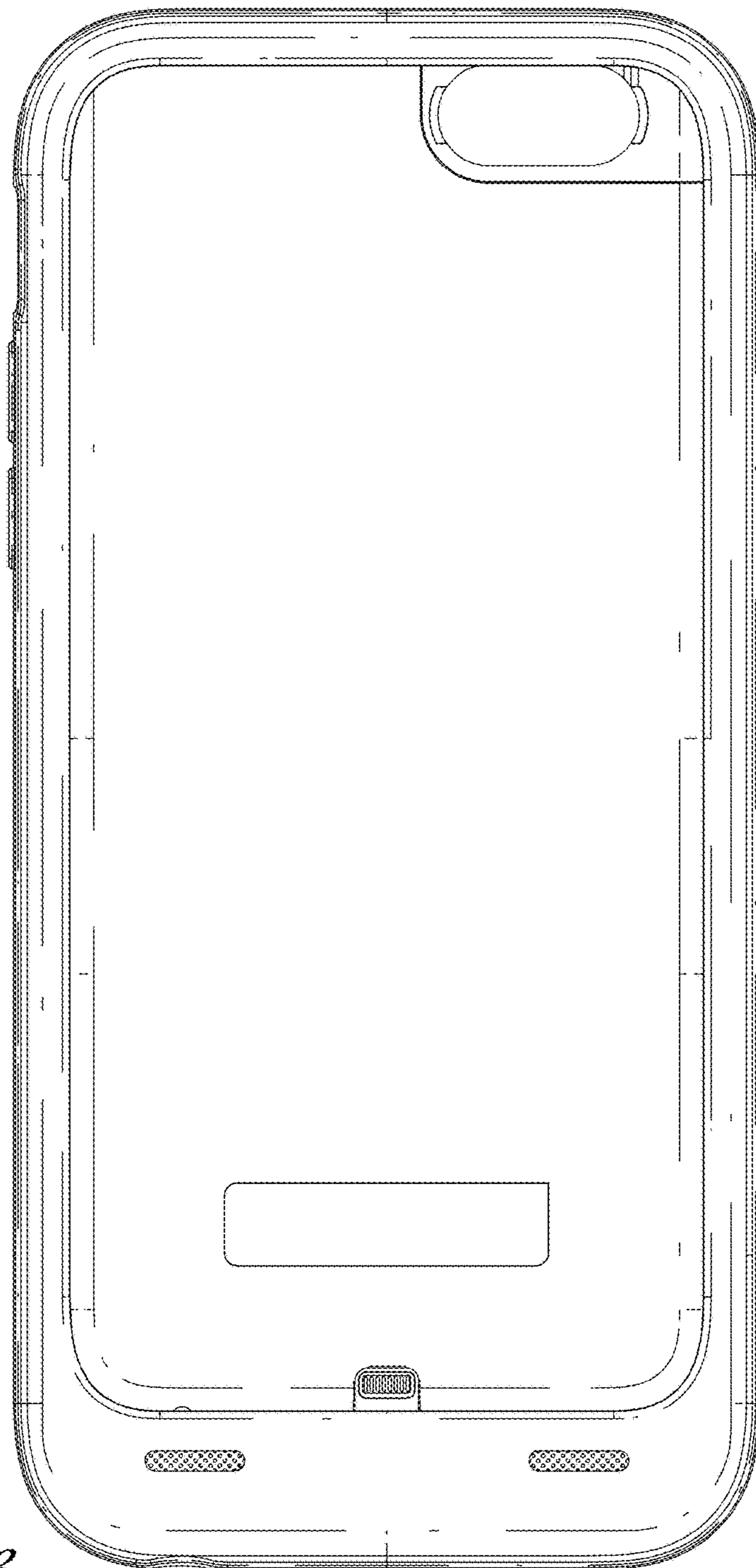


FIG. 3

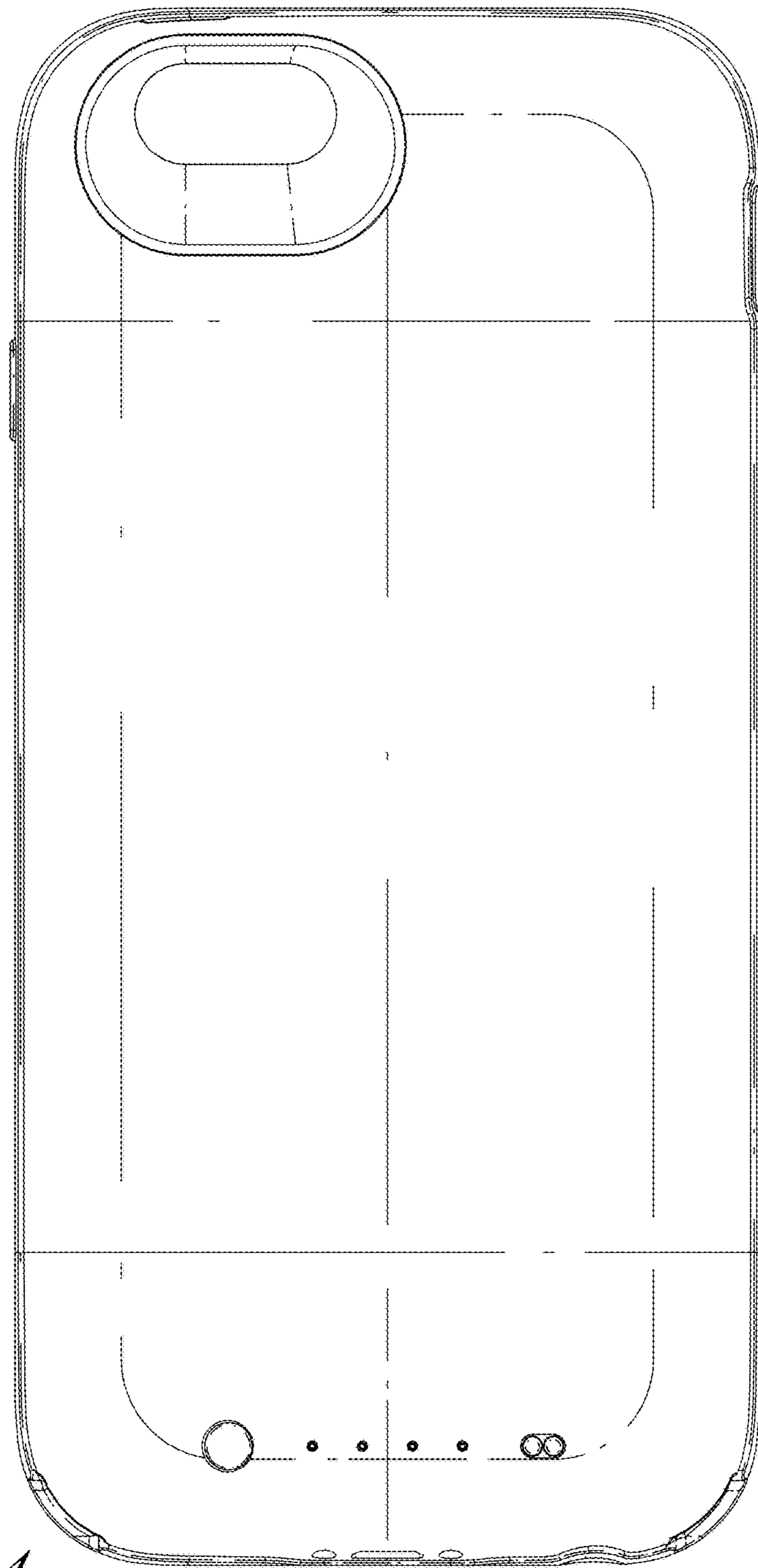


FIG. 4

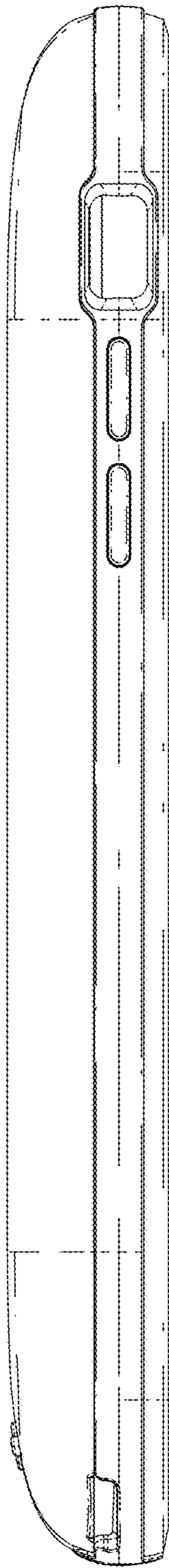


FIG. 5

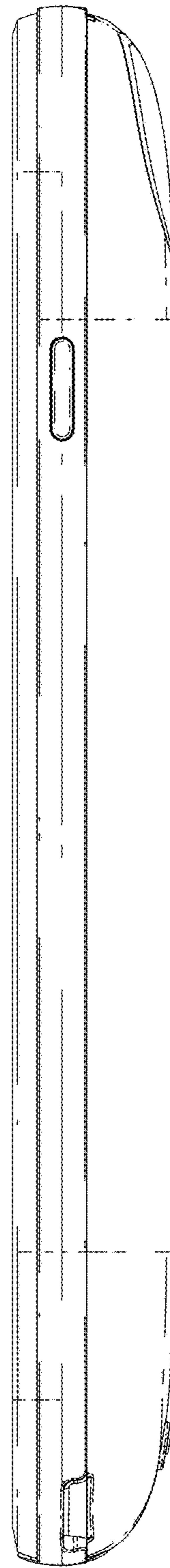


FIG. 6

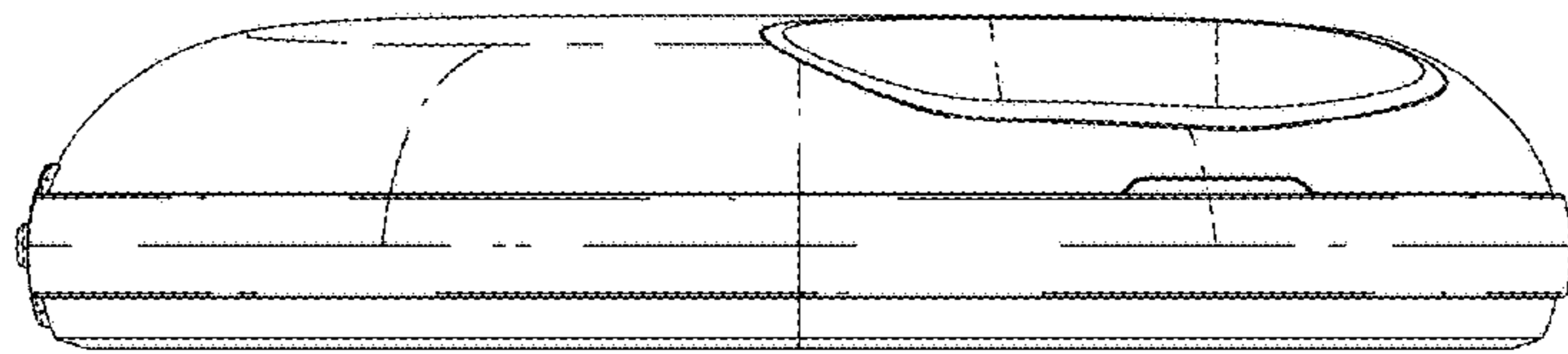


FIG. 7

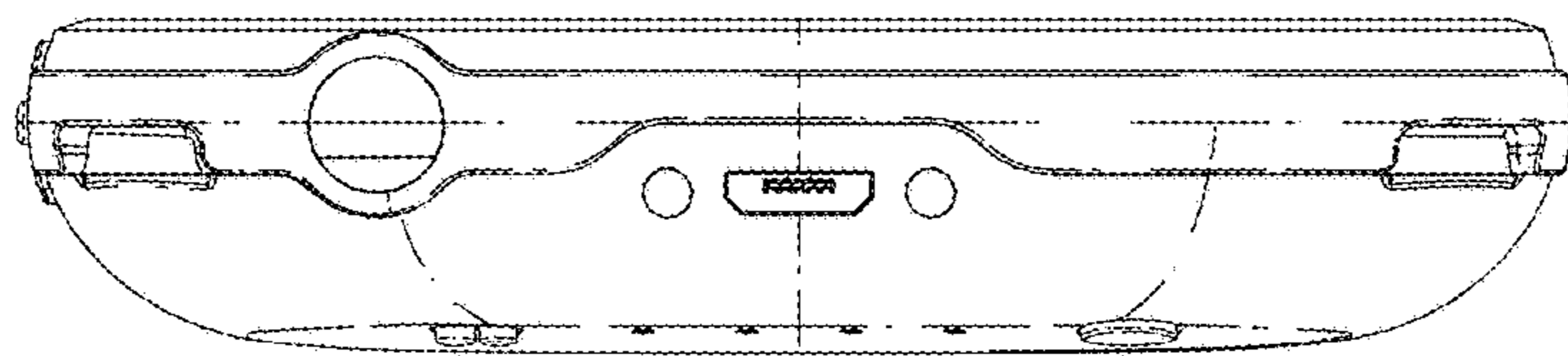


FIG. 8

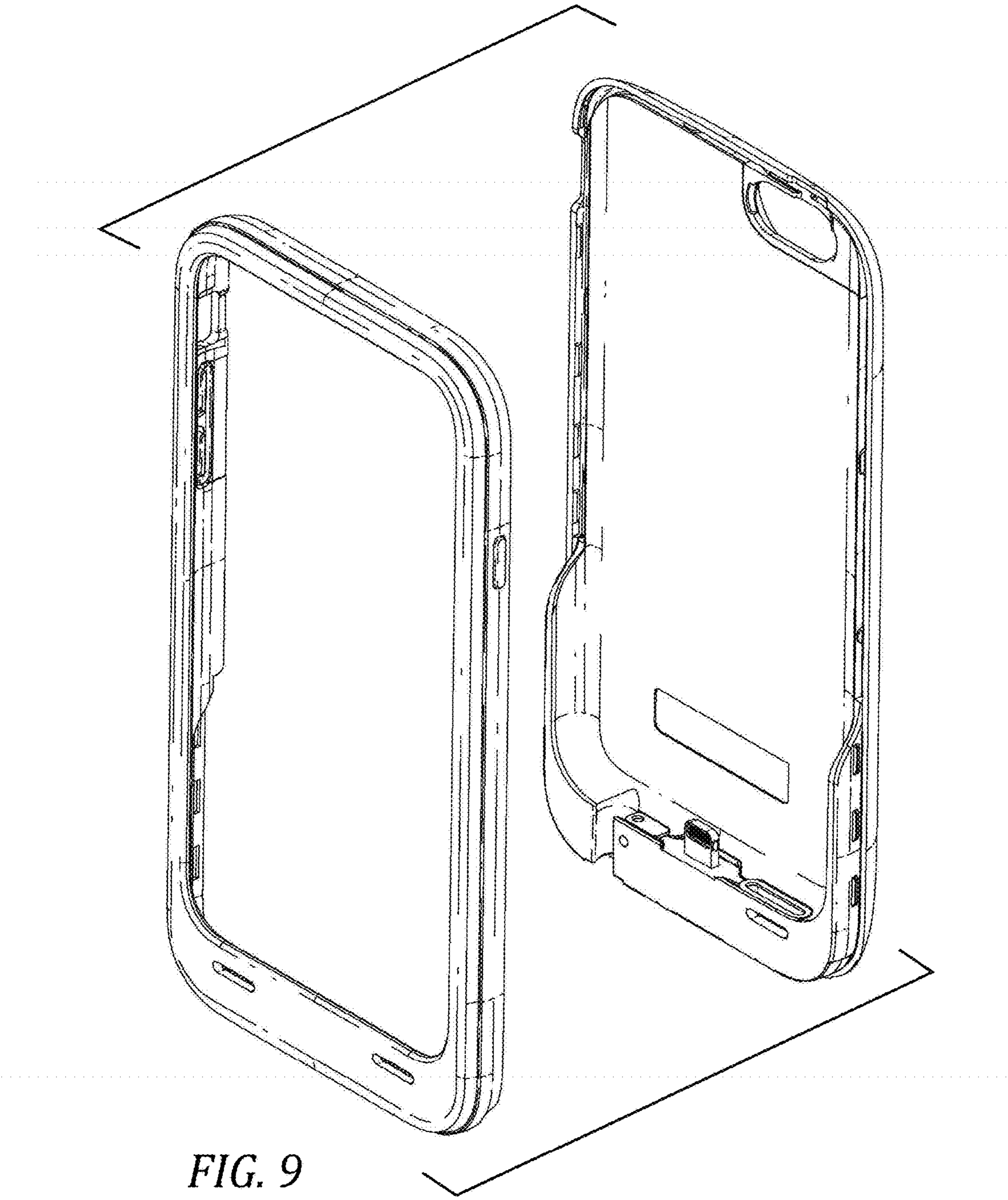


FIG. 9

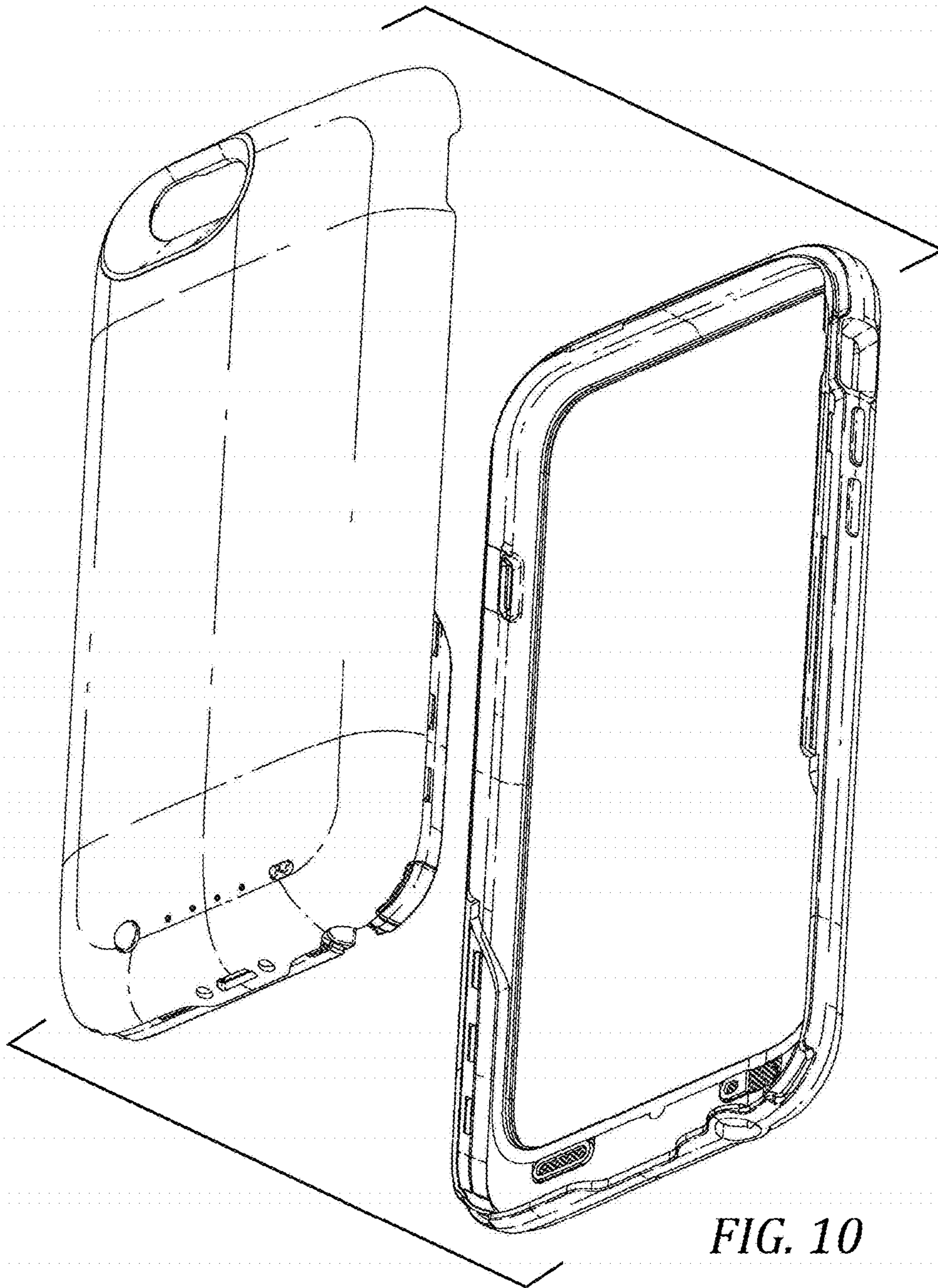


FIG. 10

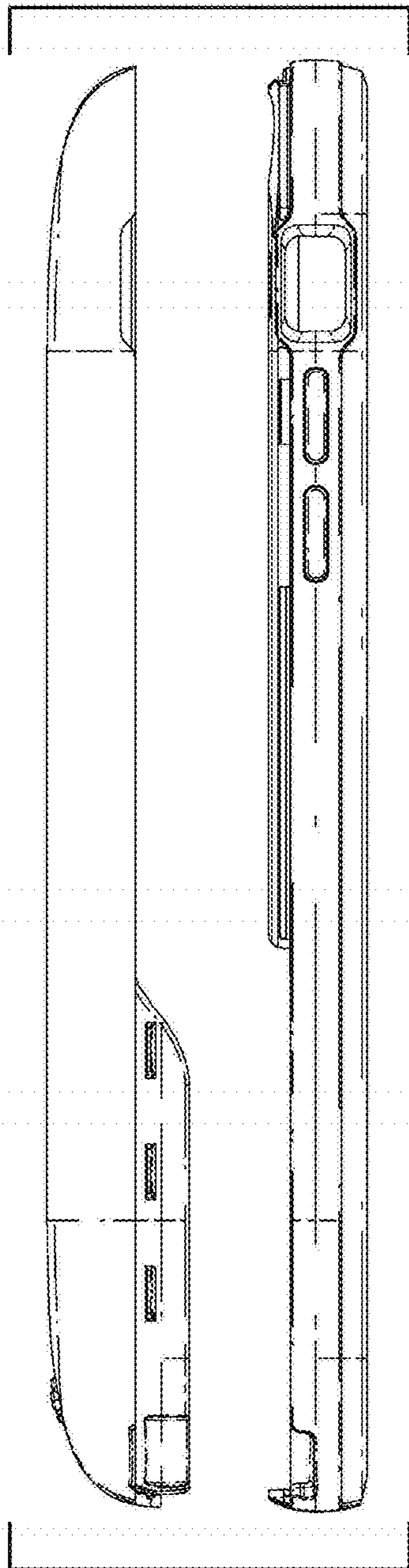


FIG. 11

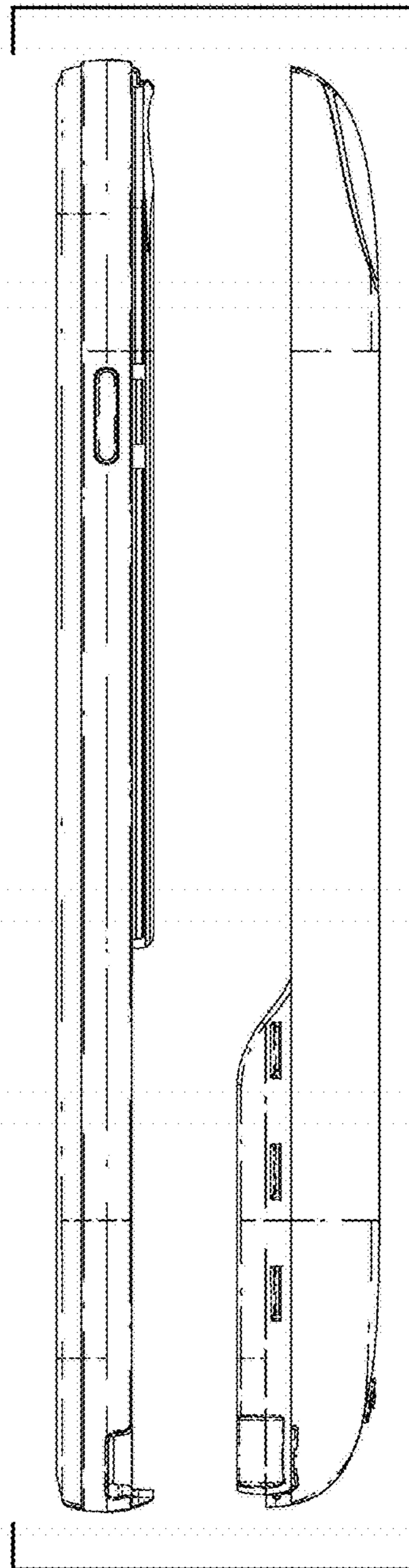


FIG. 12

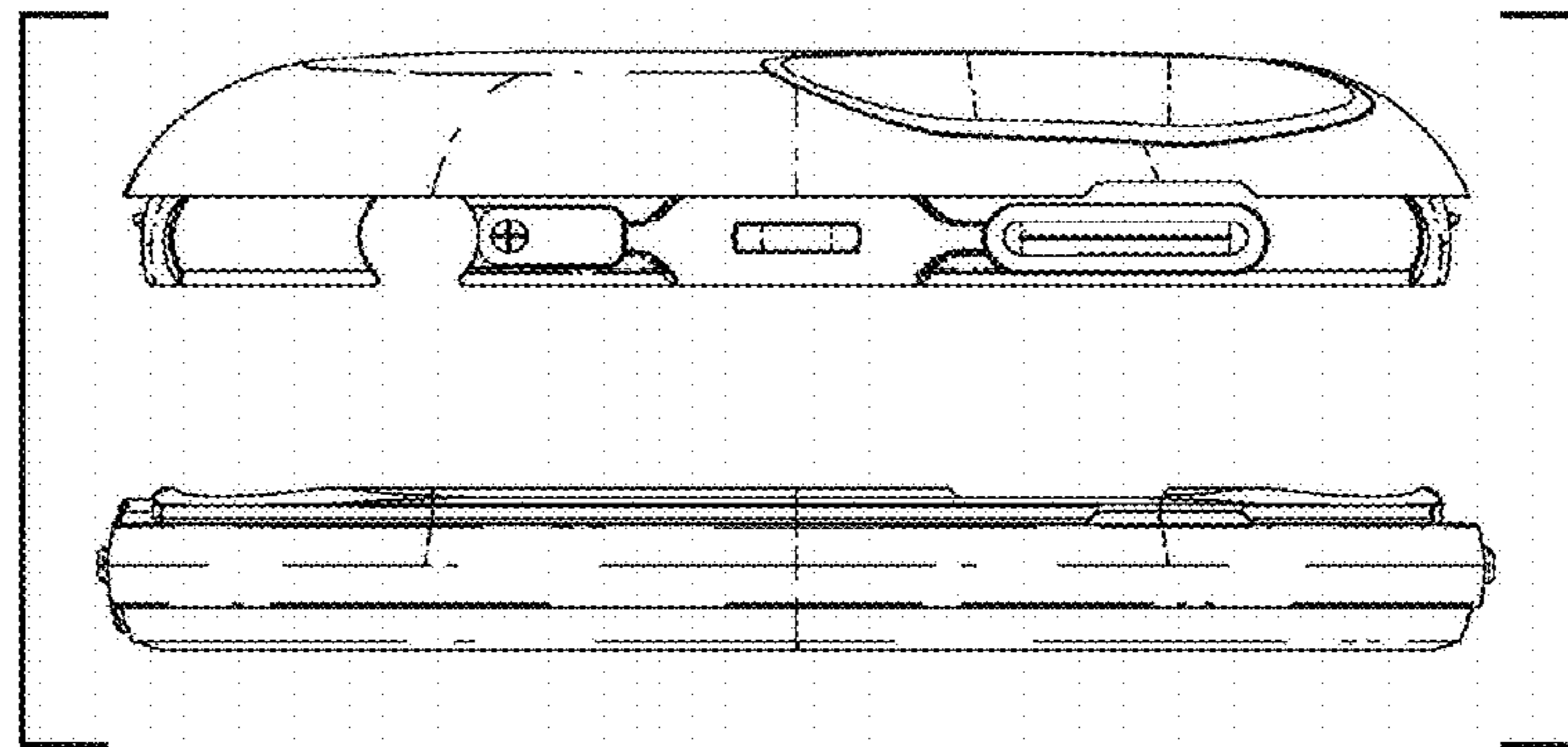


FIG. 13

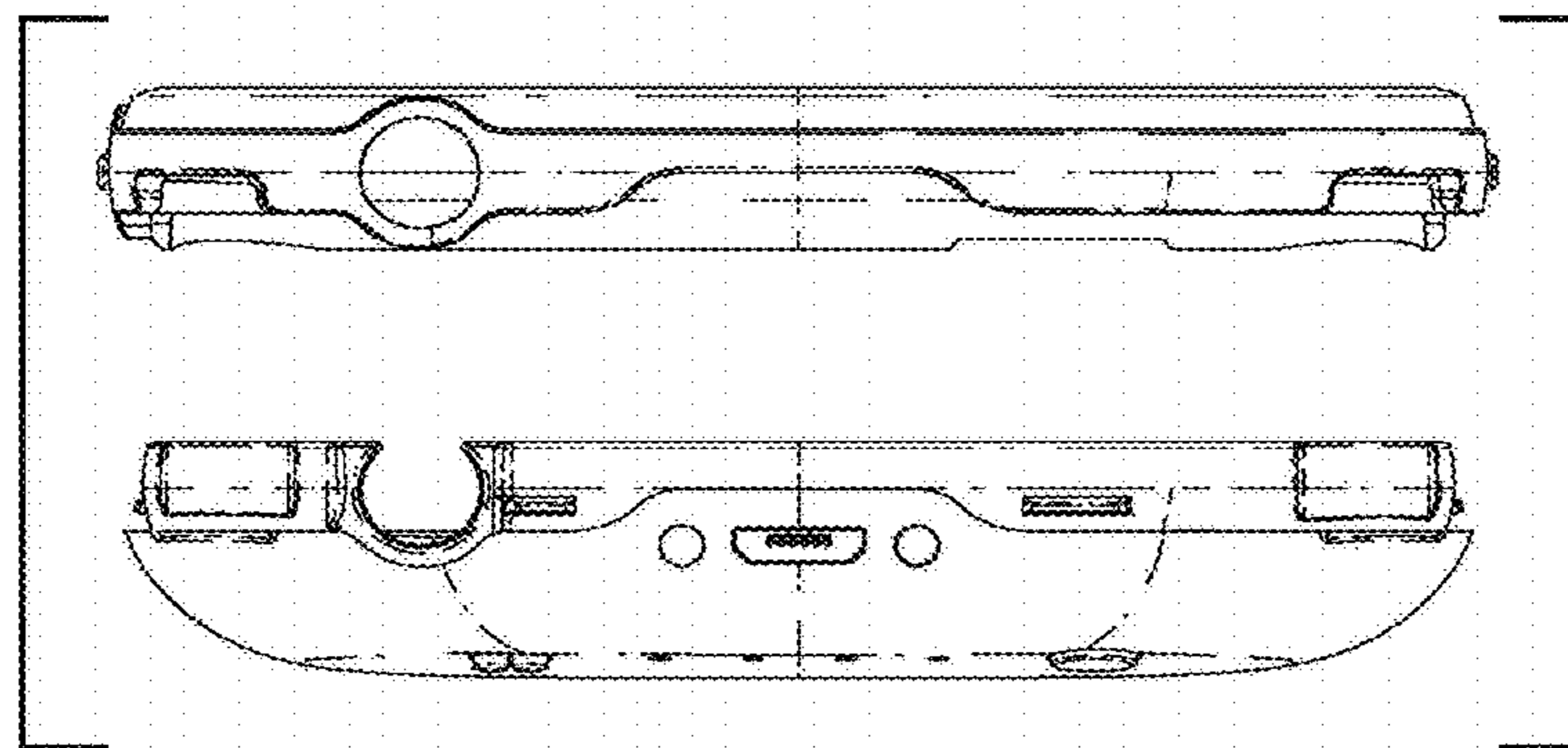


FIG. 14

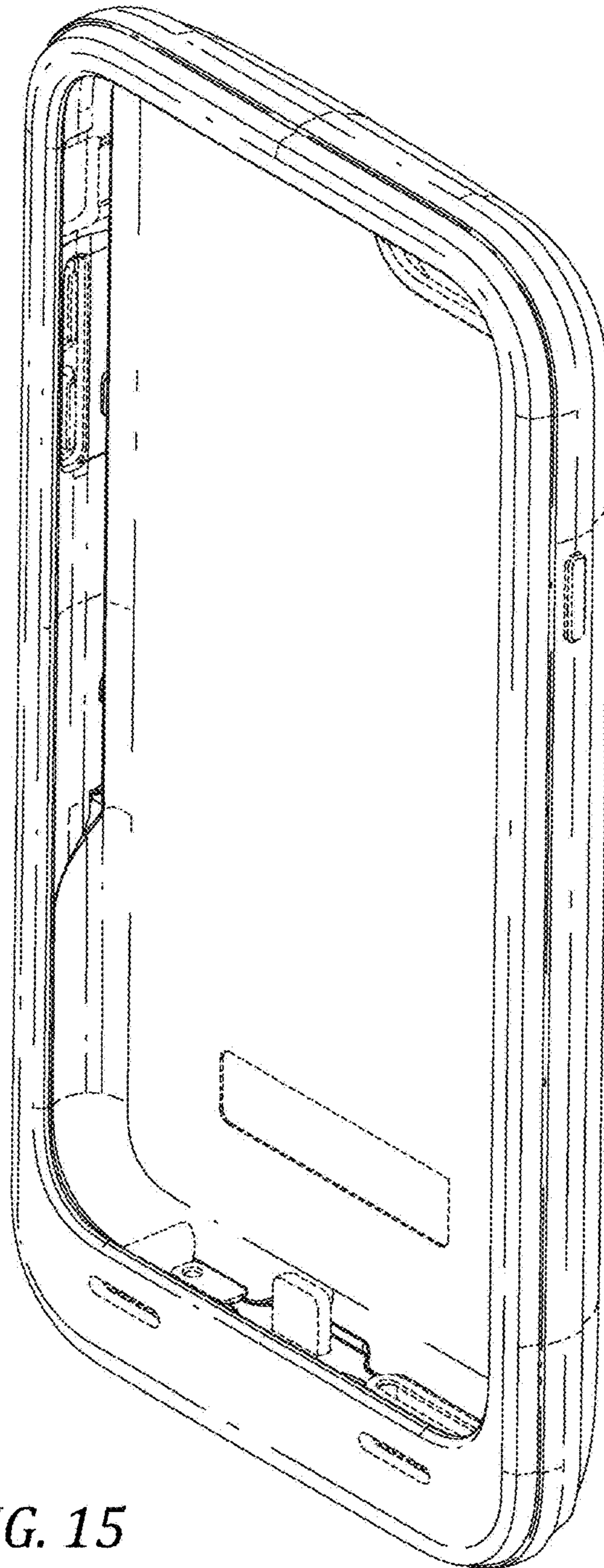


FIG. 15

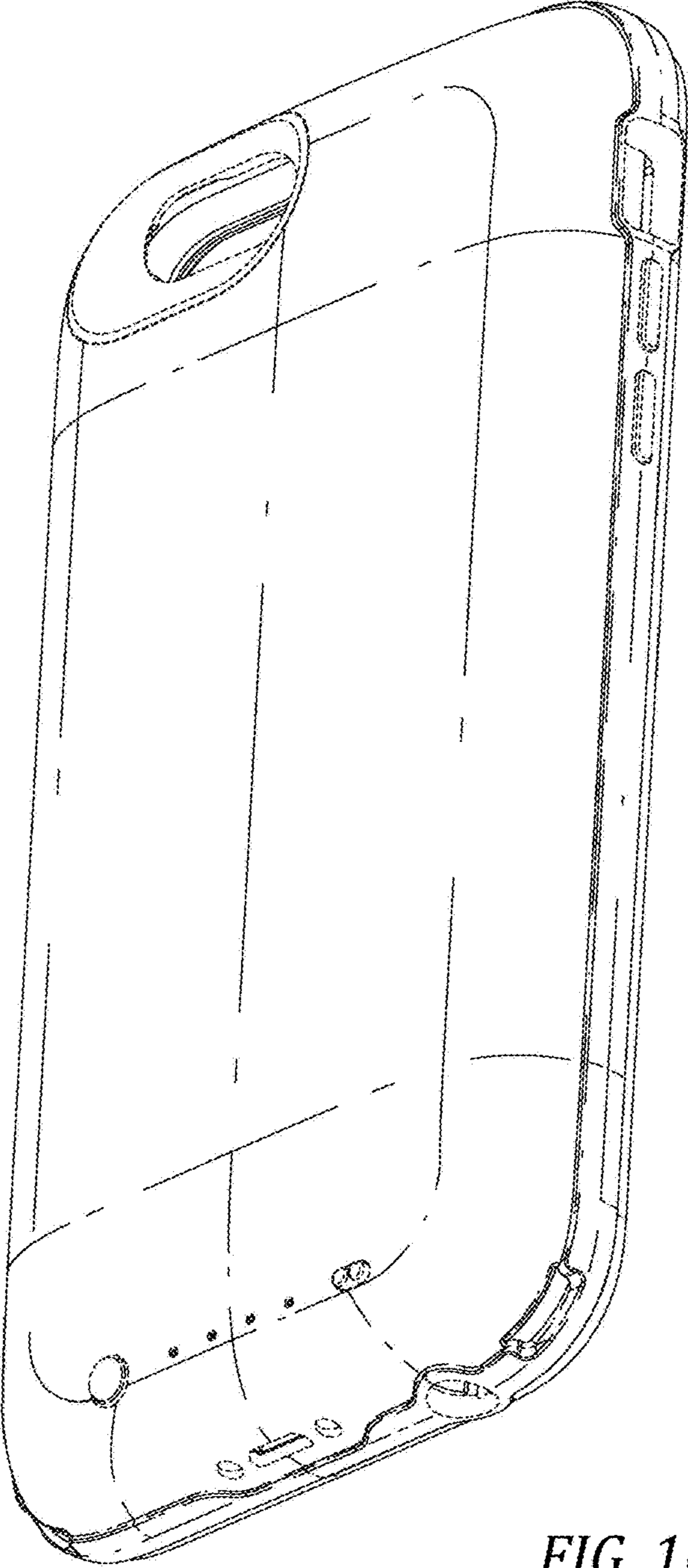


FIG. 16

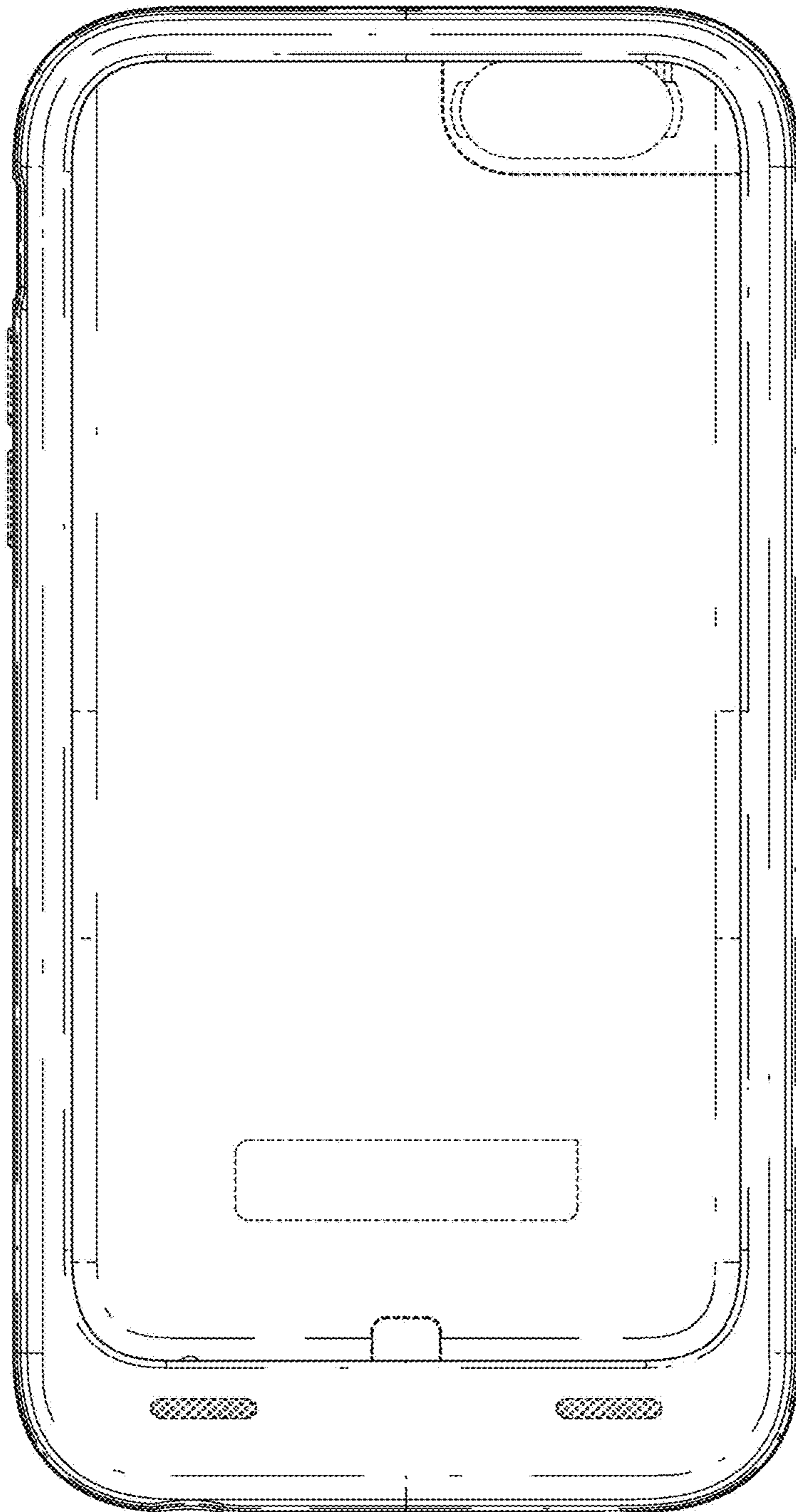


FIG. 17

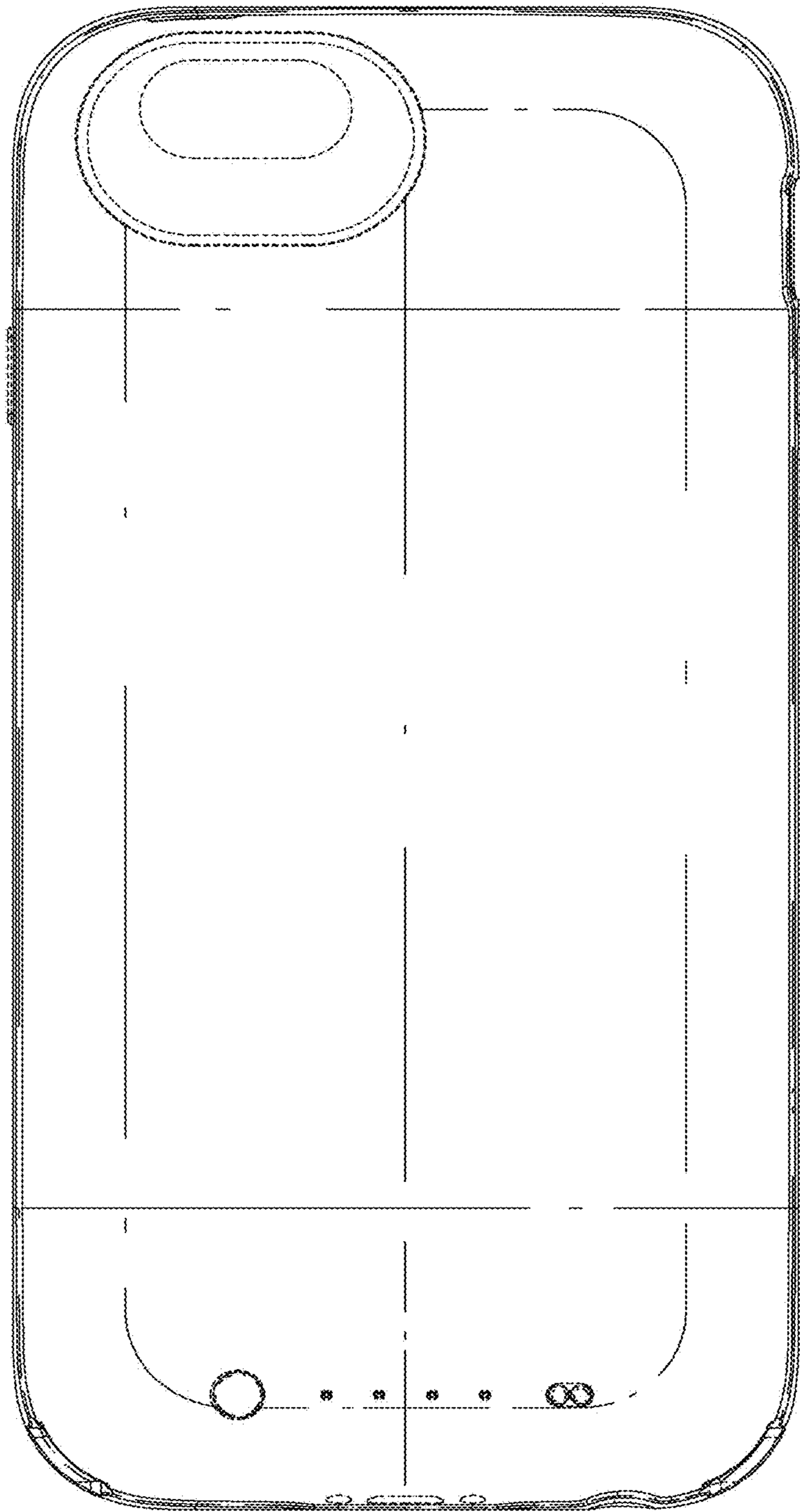


FIG. 18

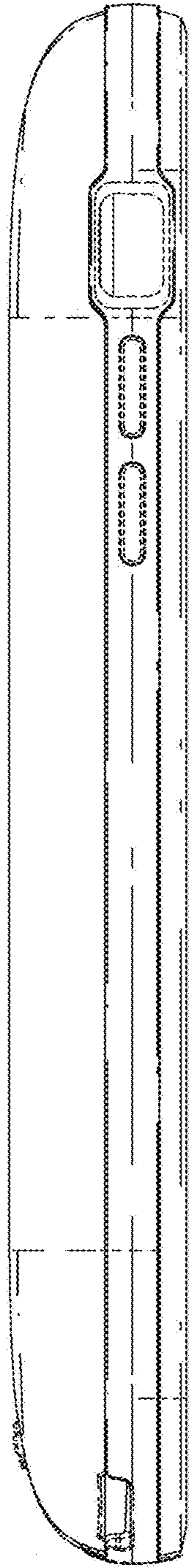


FIG. 19

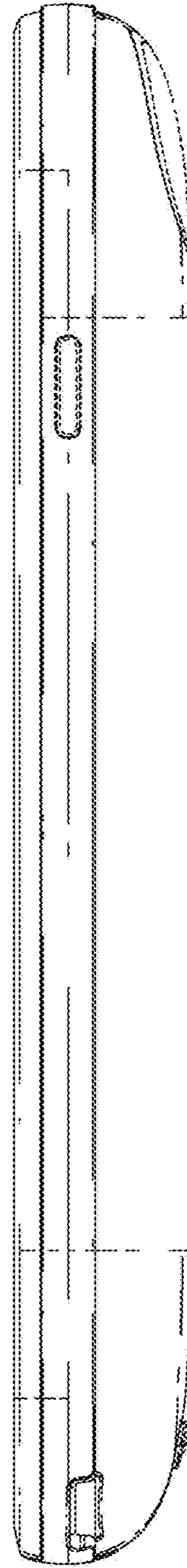


FIG. 20

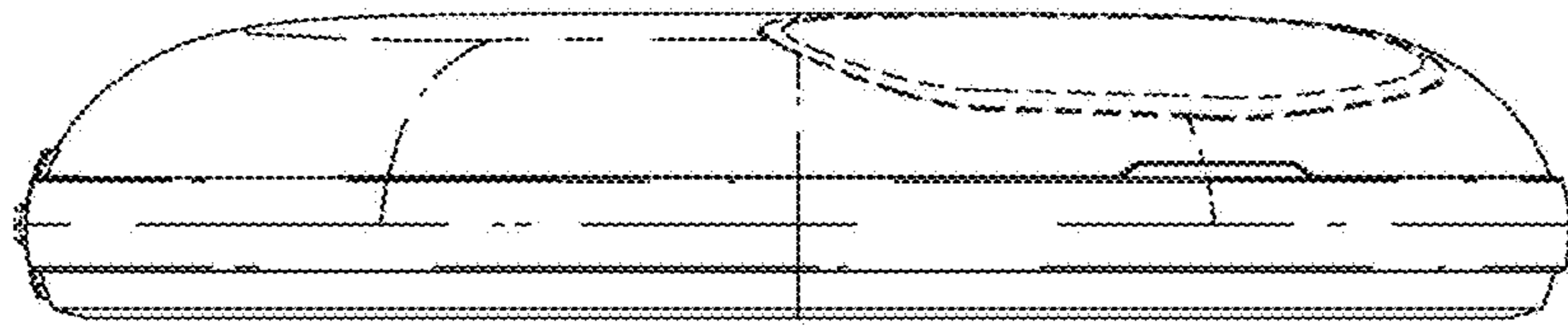


FIG. 21

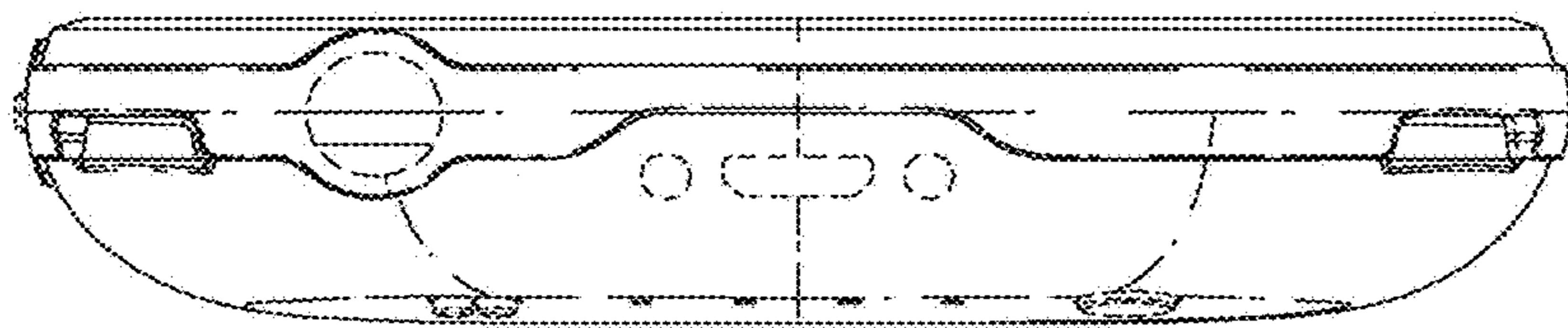


FIG. 22

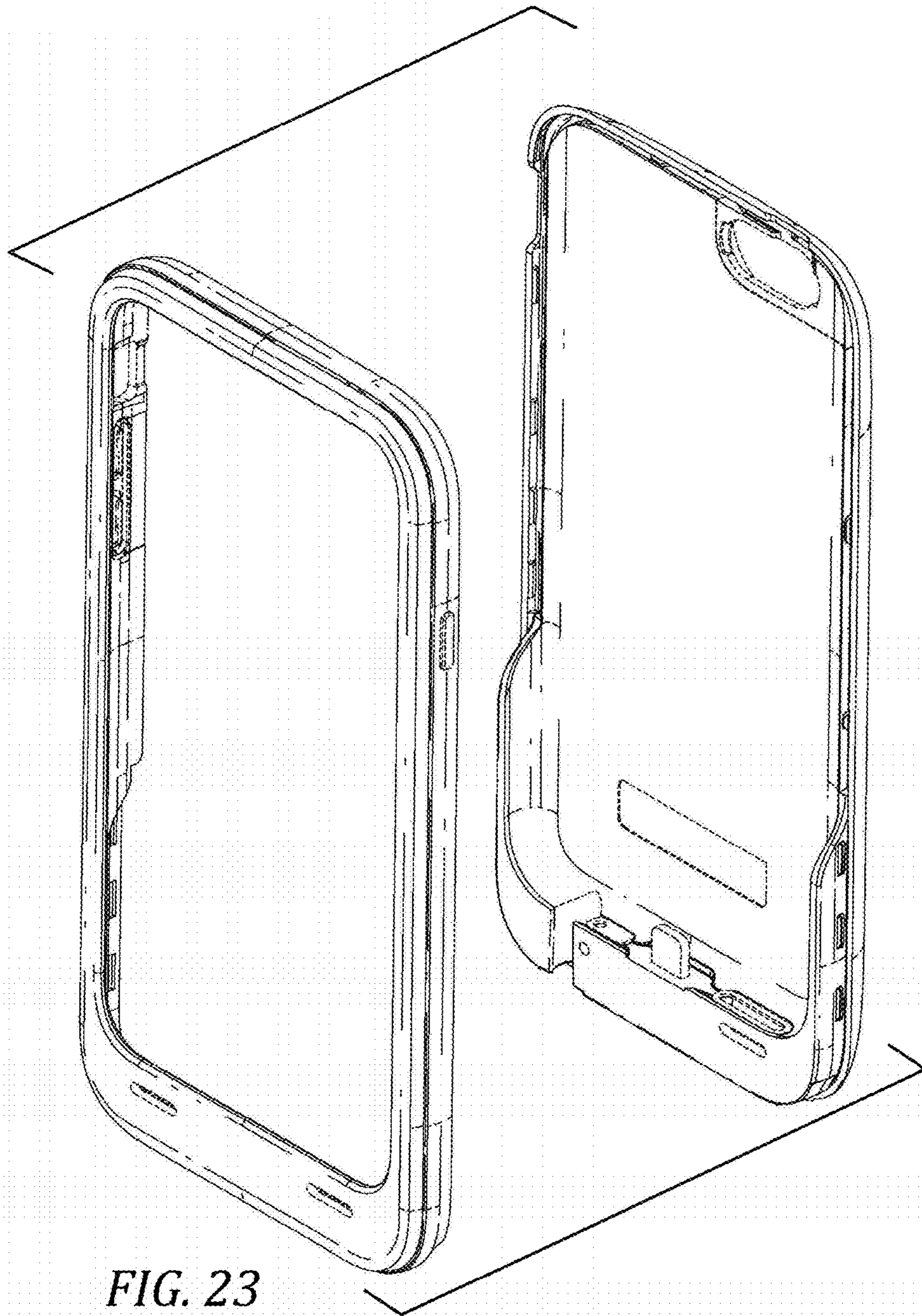


FIG. 23

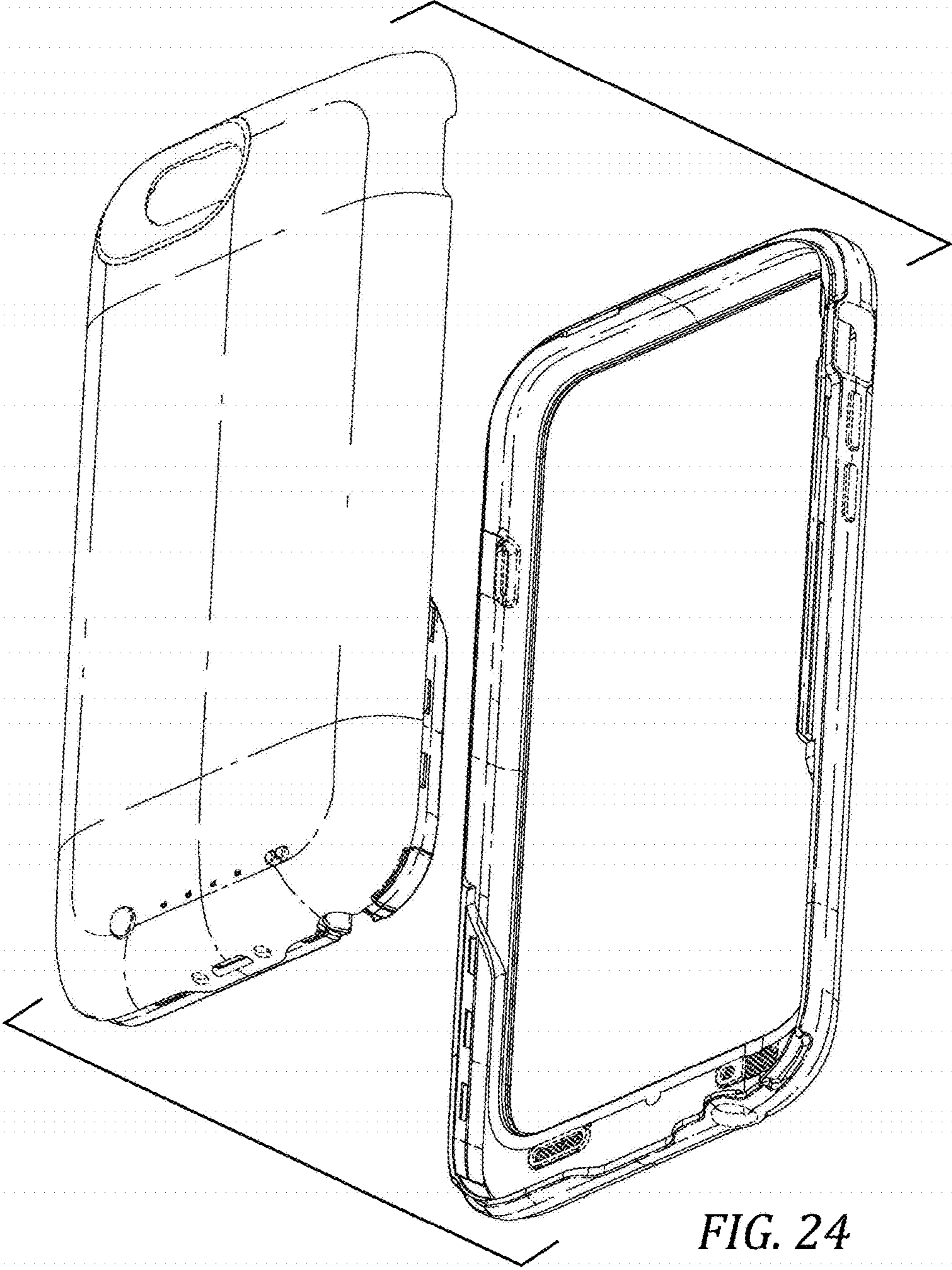


FIG. 24

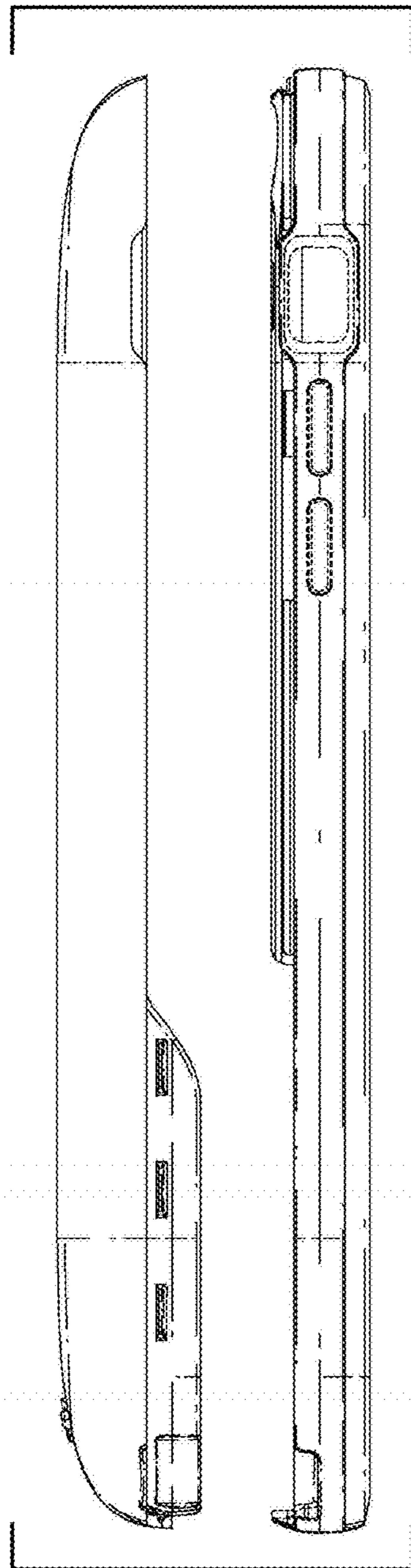


FIG. 25

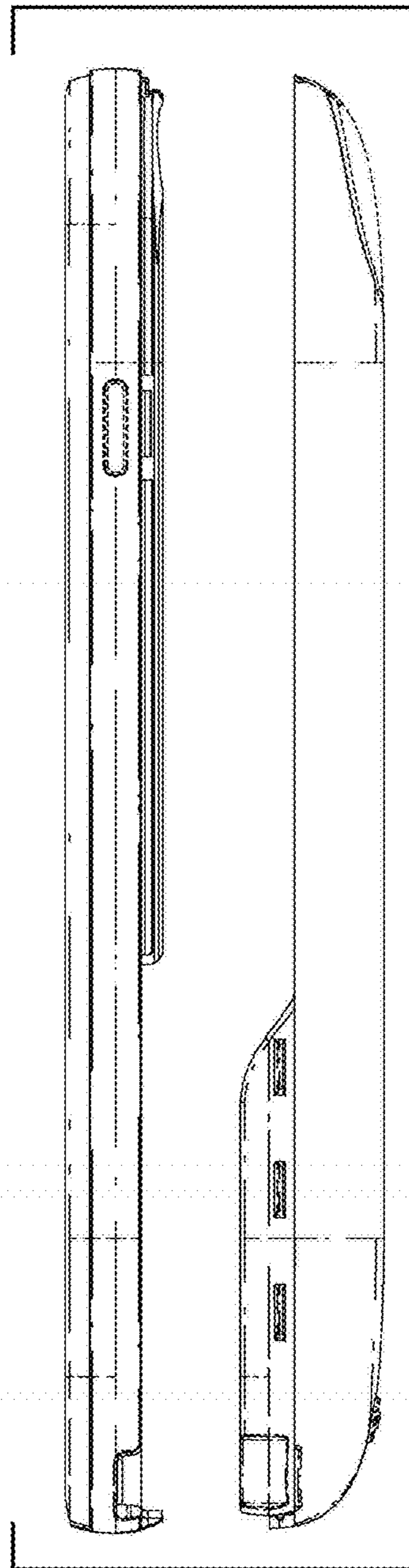


FIG. 26

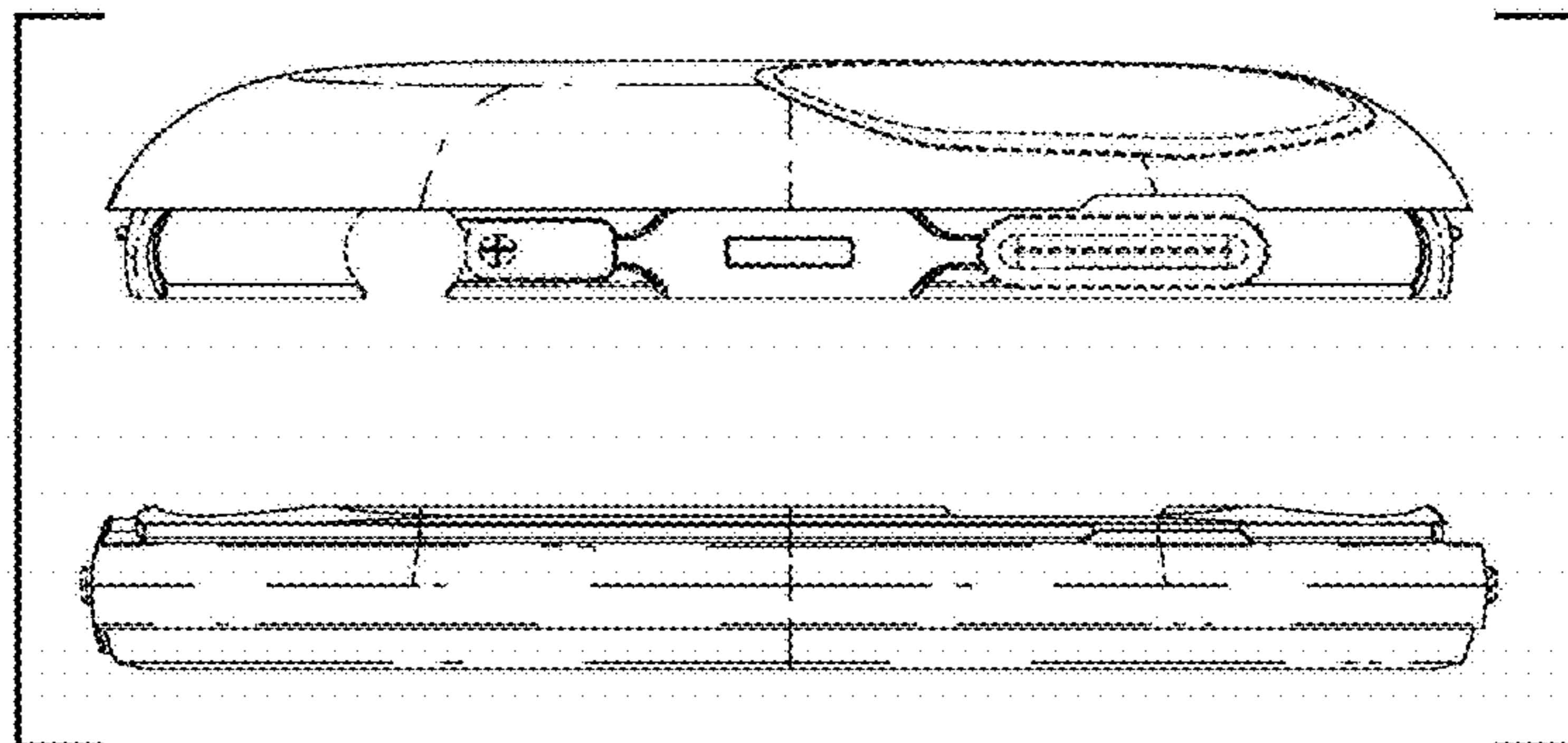


FIG. 27

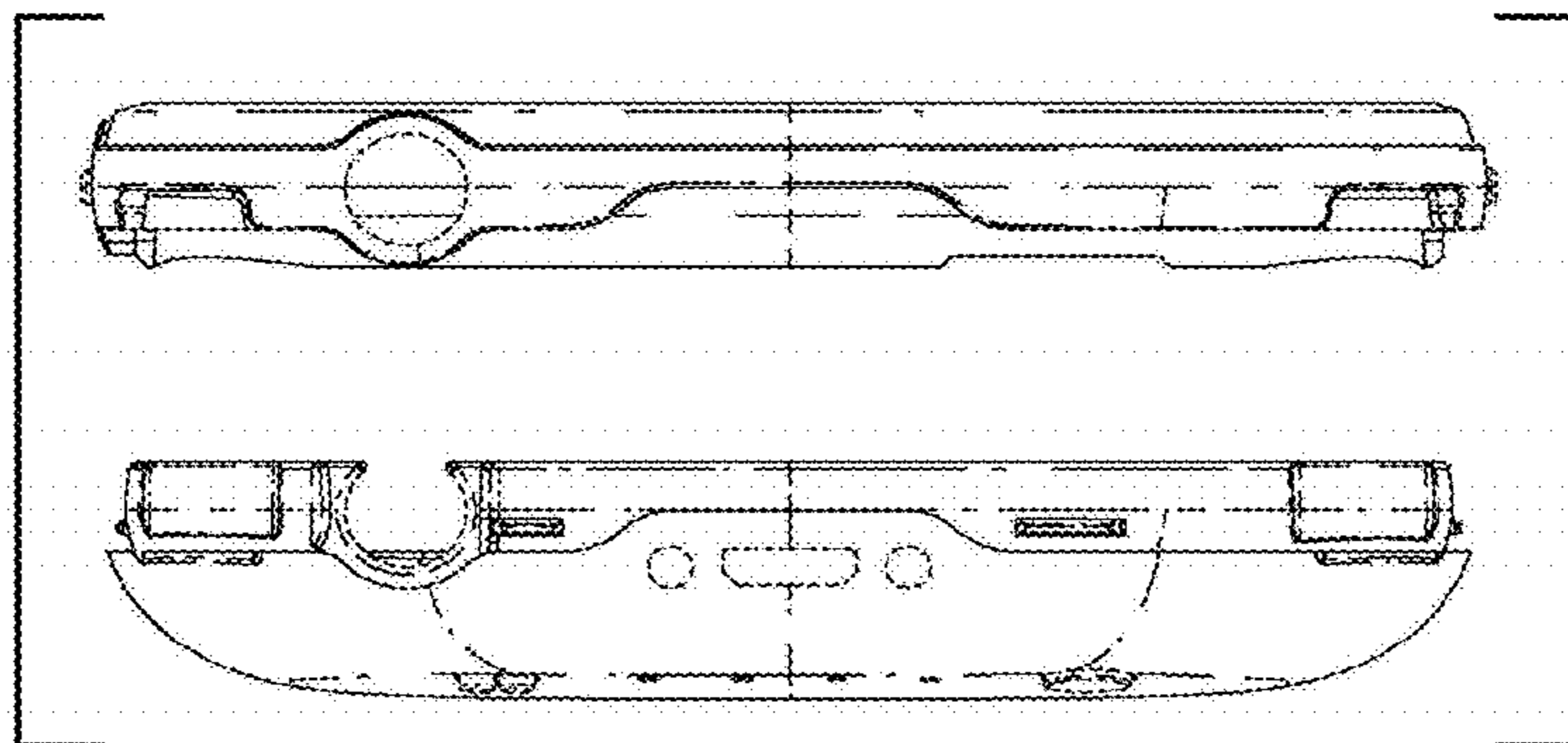


FIG. 28