



US00D861649S

(12) **United States Design Patent** (10) **Patent No.:** **US D861,649 S**
Wu (45) **Date of Patent:** **** Oct. 1, 2019**

(54) **OUTDOOR ANTENNA**

(71) Applicant: **Fang Wu**, Guangdong (CN)

(72) Inventor: **Fang Wu**, Guangdong (CN)

(**) Term: **15 Years**

(21) Appl. No.: **29/653,451**

(22) Filed: **Jun. 15, 2018**

(30) **Foreign Application Priority Data**

May 16, 2018 (CN) 2018 3 0225874

(51) **LOC (12) Cl.** **14-03**

(52) **U.S. Cl.**
USPC **D14/230**

(58) **Field of Classification Search**
USPC D14/230–238, 203.6, 204, 216, 221,
D14/238.1, 240, 242, 299, 343, 358, 509;
D13/182
CPC H01Q 7/00; H01Q 13/10; H01Q 9/285;
H01Q 19/30; H01Q 19/12; H01Q 1/36;
H01Q 1/38; H01Q 1/0475; H01Q 1/034;
H05K 11/00; G05D 1/0234; G06K
19/07749
See application file for complete search history.

(56) **References Cited**

U.S. PATENT DOCUMENTS

2,990,547 A * 6/1961 McDougal H01Q 13/18
343/767
7,123,207 B2 * 10/2006 Yazdandoost H01Q 9/285
343/795

D587,691 S * 3/2009 Oliver D14/230
D620,484 S * 7/2010 Oliver D14/230
D803,200 S * 11/2017 Manivannan D14/230
D803,201 S * 11/2017 Manivannan D14/230
D814,448 S * 4/2018 Montgomery D14/230
D818,460 S * 5/2018 Montgomery D14/230
D819,609 S * 6/2018 Manivannan D14/230
2008/0106379 A1 * 5/2008 Haddock G06K 19/14
340/10.1
2010/0134292 A1 * 6/2010 Deavours H01Q 1/38
340/572.7

* cited by examiner

Primary Examiner — John Windmuller

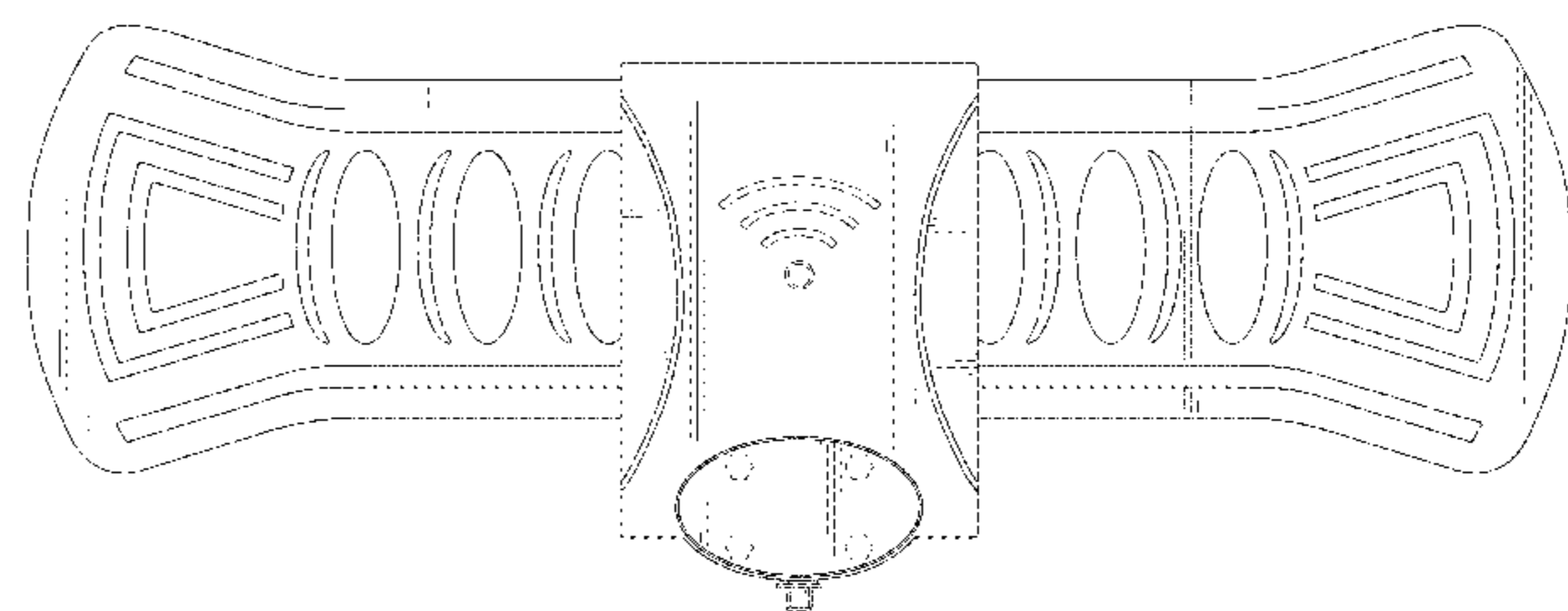
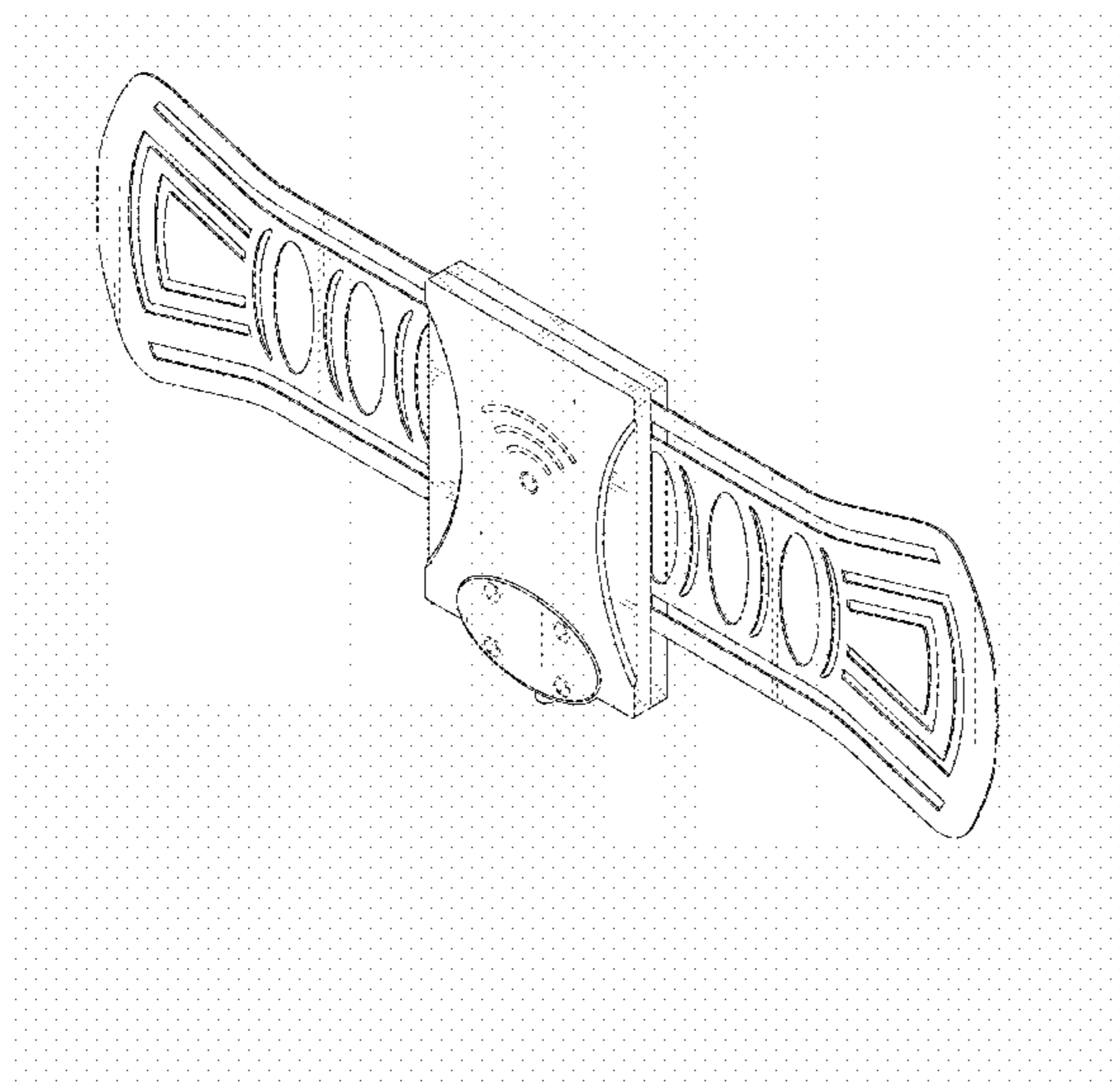
(57) **CLAIM**

The ornamental design for an outdoor antenna, as shown and described.

DESCRIPTION

FIG. 1 is a top, front and right side perspective view of an outdoor antenna showing my new design;
FIG. 2 is a bottom, rear and left side perspective view thereof;
FIG. 3 is a front elevational view thereof;
FIG. 4 is a rear elevational view thereof;
FIG. 5 is a left side view thereof;
FIG. 6 is a right side view thereof;
FIG. 7 is a top plan view thereof; and,
FIG. 8 is a bottom plan view thereof.
The broken lines in the drawings illustrate portions of the outdoor antenna which form no part of the claimed design.

1 Claim, 8 Drawing Sheets



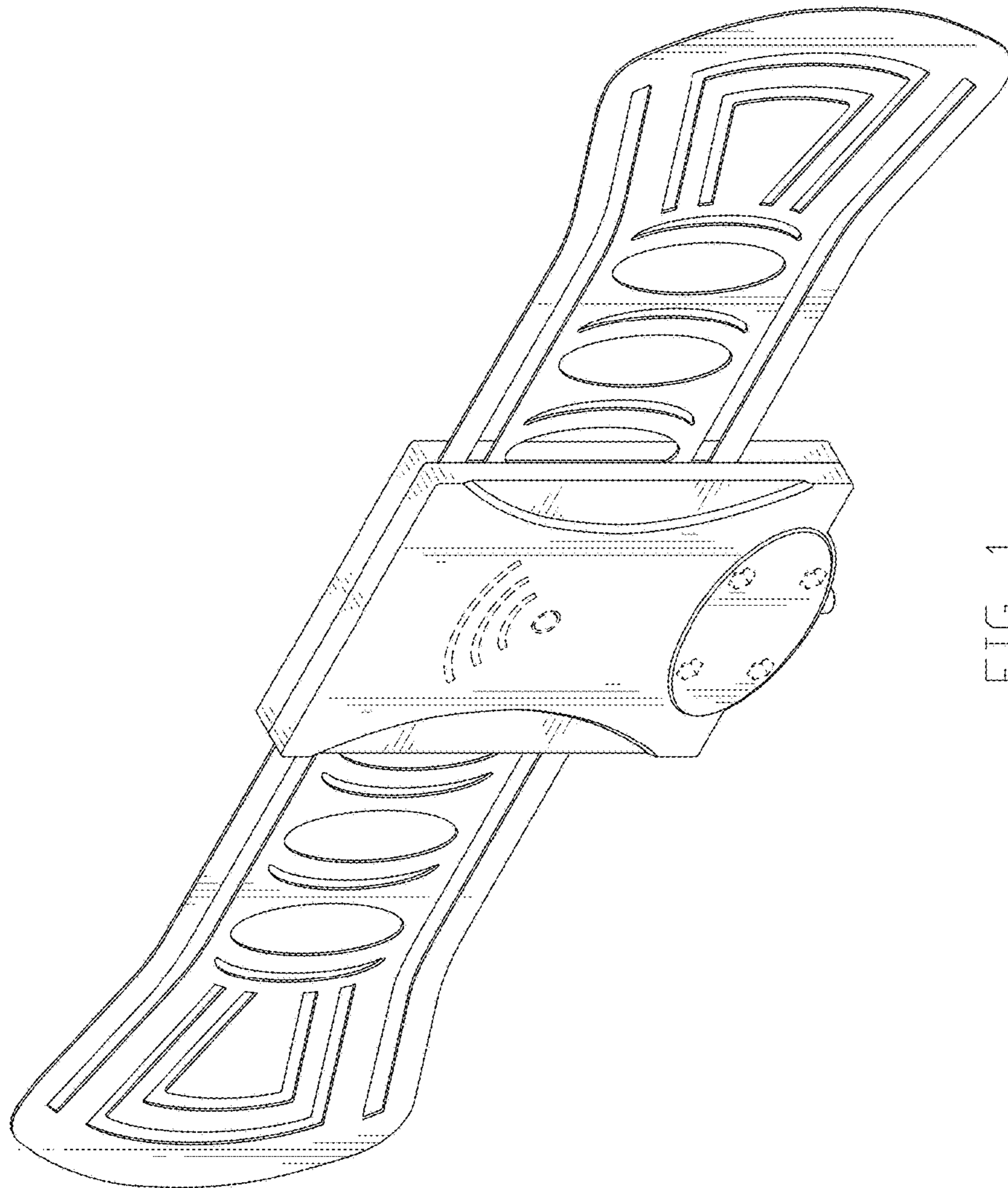


FIG. 1

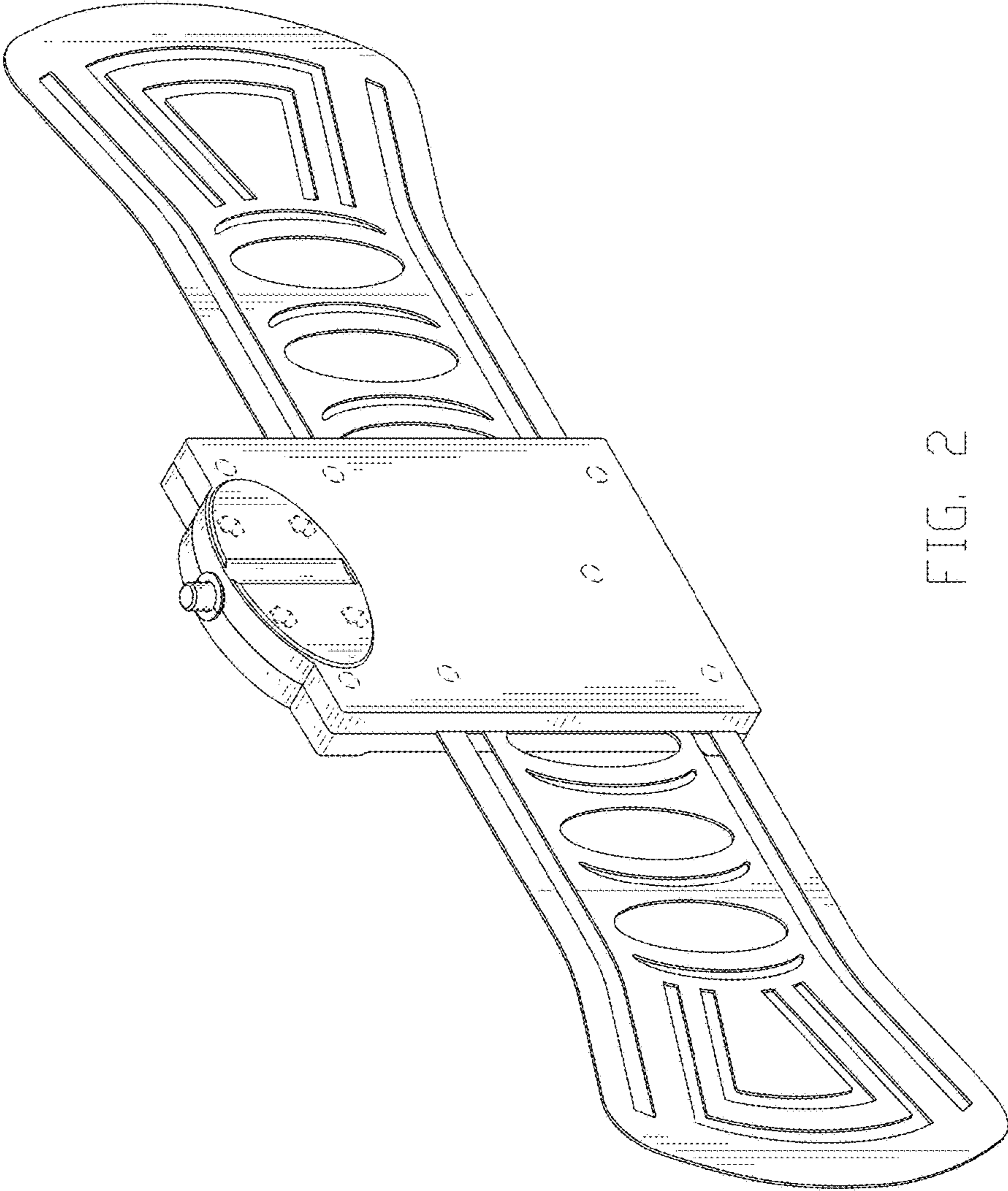


FIG. 2

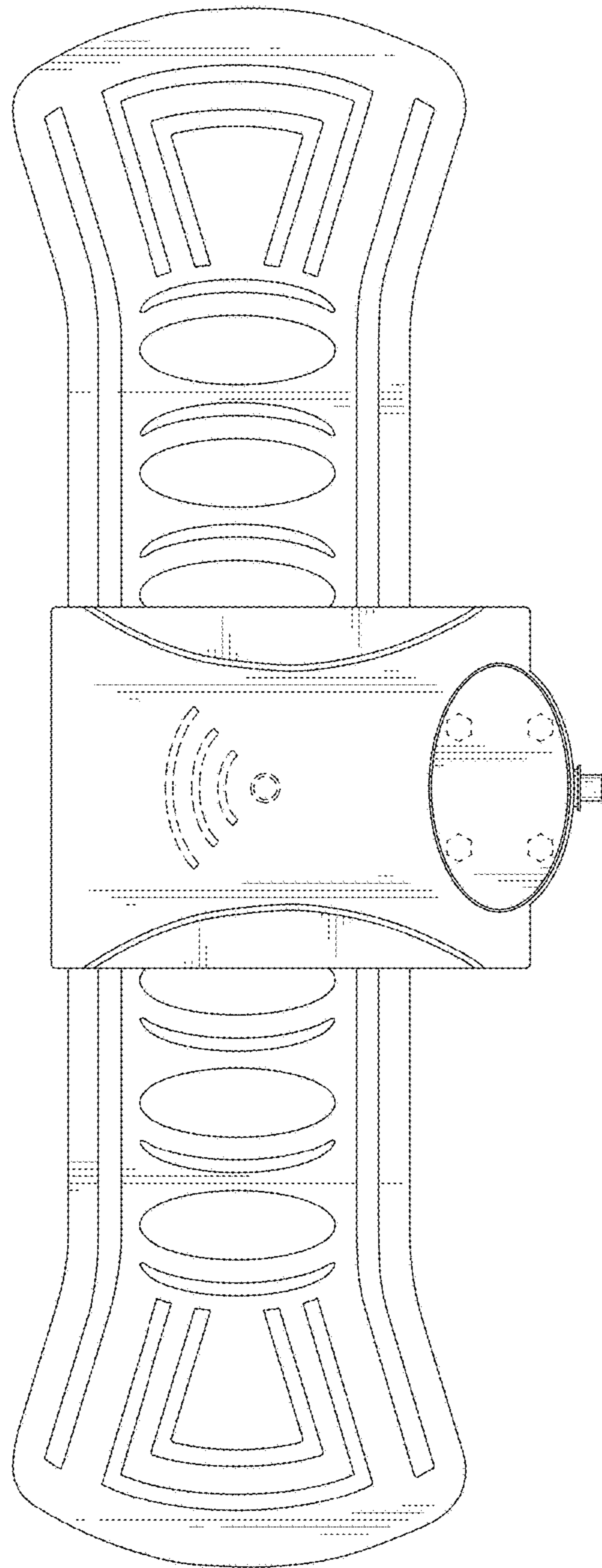


FIG. 3

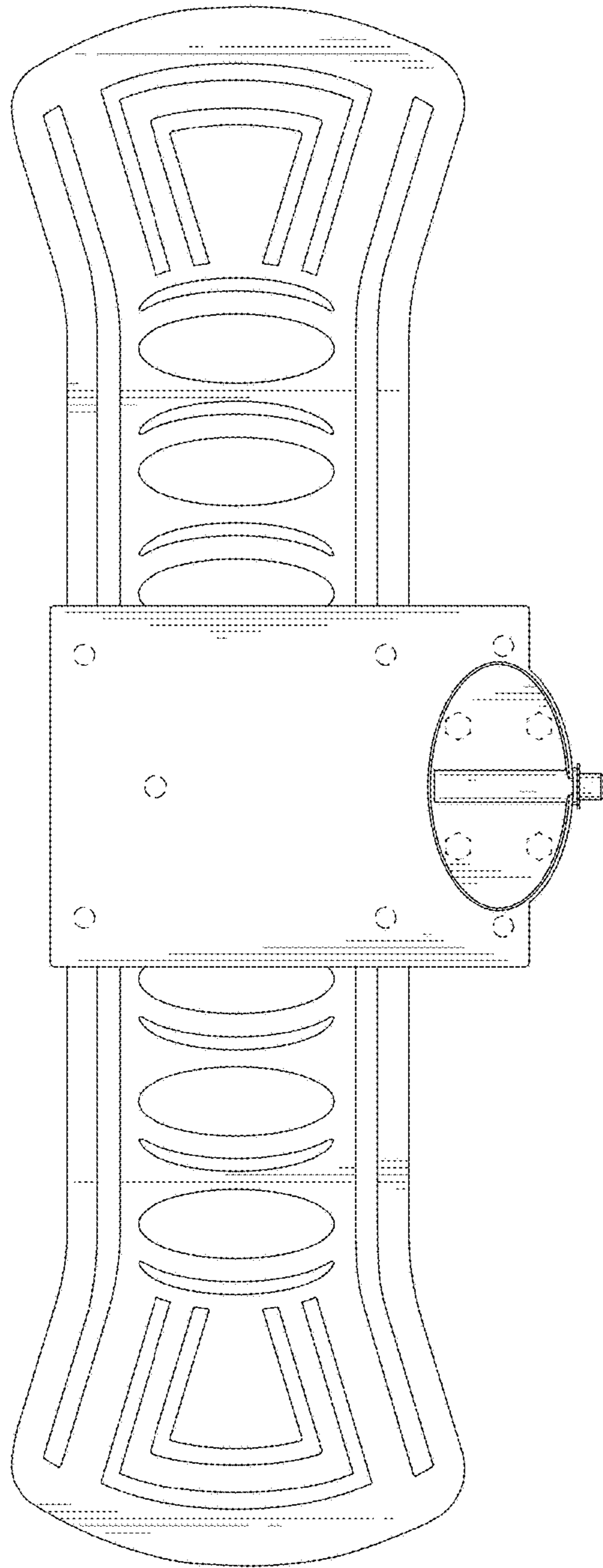


FIG. 4



FIG. 5

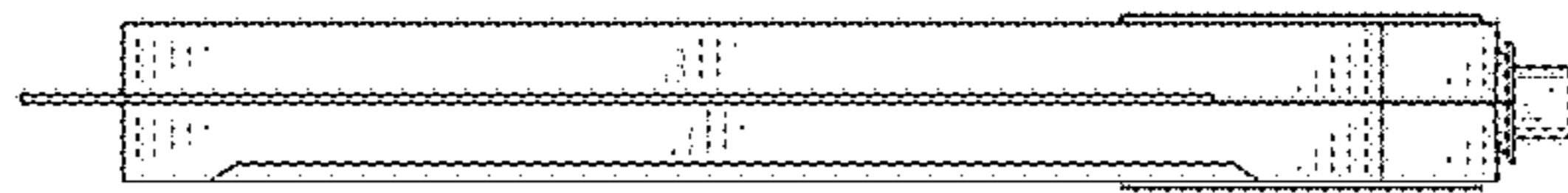


FIG. 6

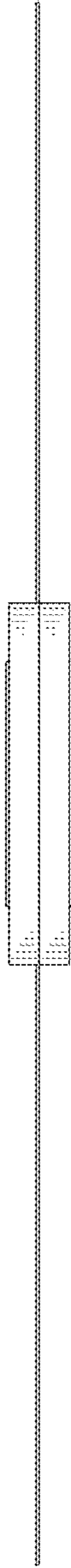


FIG. 7



FIG. 8