



US00D861648S

(12) **United States Design Patent** (10) **Patent No.:** **US D861,648 S**
Wu (45) **Date of Patent:** **** Oct. 1, 2019**

(54) **HDTV ANTENNA**
(71) Applicant: **Shenzhen BITECA Electron Co., Ltd.**,
Shenzhen, Guangdong (CN)
(72) Inventor: **Fang Wu**, Guangdong (CN)
(73) Assignee: **Shenzhen BITECA Electron Co., Ltd.**,
Shenzhen (CN)

D754,641 S * 4/2016 Suleiman D14/230
9,564,687 B2 * 2/2017 Maruyama H01Q 3/24
D806,689 S * 1/2018 Deng D14/234
D815,622 S * 4/2018 Yang D14/230
D829,695 S * 10/2018 Wu D14/230
D843,982 S * 3/2019 Yang D14/230
D843,983 S * 3/2019 Yang D14/230
10,304,347 B2 * 5/2019 Wilson G09B 5/02

(**) Term: **15 Years**
(21) Appl. No.: **29/628,854**
(22) Filed: **Dec. 7, 2017**

OTHER PUBLICATIONS
Leegoal, TV Antenna, 2018 Version Indoor Digital HDTV Antenna,
Amazon online, no post date, URL: <https://www.amazon.com/Antenna-Leegoal-Annplified-Detachable-Performance/dp/B079NZKH88>, retrieved Jun. 18, 2018.*

(51) **LOC (12) Cl.** **14-03**
(52) **U.S. Cl.**
USPC **D14/230**
(58) **Field of Classification Search**
USPC D14/230-238, 138, 172, 188, 203.1,
D14/203.3, 203.6, 204, 216, 221, 238.1,
D14/240, 242, 299, 314, 343, 356, 358,
D14/496, 509
CPC H01Q 1/007; H01Q 1/084; H01Q 1/12;
H01Q 1/22; H01Q 1/38; H01Q 1/42;
H01Q 7/00; H01Q 9/40; H01Q 9/285;
H01Q 9/065; H01Q 9/44; H01Q 9/265;
H01Q 19/10; H01Q 19/106; H01Q 19/12;
H01Q 19/13; H01Q 19/15; H01Q 19/30;
H01Q 21/28; H01Q 21/06; H01Q 21/062;
H01Q 21/293; H01Q 23/00; G05D 1/02;
G05D 1/0234

* cited by examiner
Primary Examiner — Manpreet S Matharu
Assistant Examiner — Rebekah A Caruso

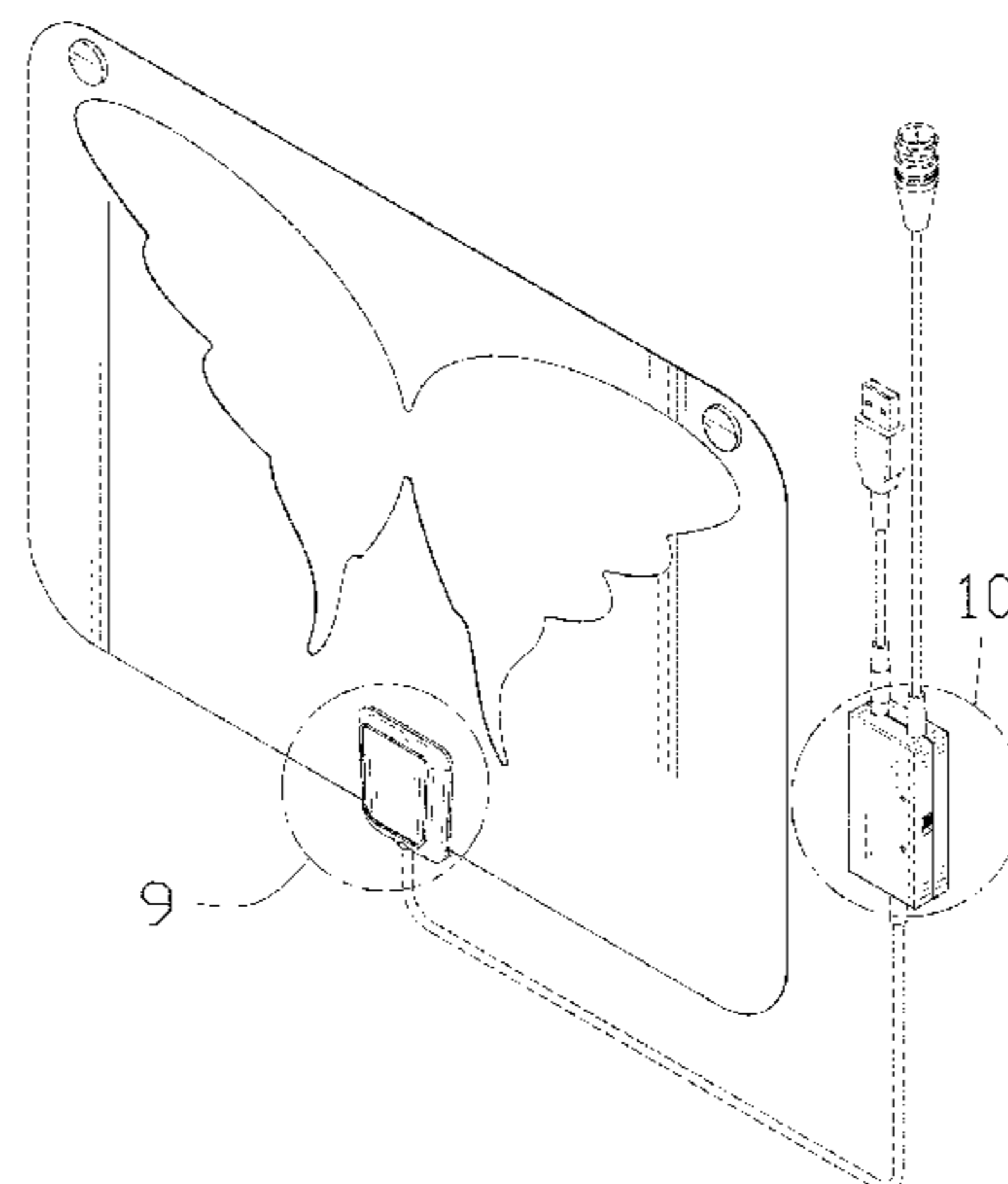
See application file for complete search history.

(57) **CLAIM**
The ornamental design for an HDTV antenna, as shown and
described.

(56) **References Cited**
U.S. PATENT DOCUMENTS
D609,700 S * 2/2010 Takahashi D14/230
D612,371 S * 3/2010 Suleiman D14/234
D623,175 S * 9/2010 Suleiman D14/230
D656,131 S * 3/2012 Suleiman D14/230
D697,059 S * 1/2014 Miller D14/230

DESCRIPTION
FIG. 1 is a first perspective view of an HDTV antenna
showing my new design;
FIG. 2 is a second perspective view thereof;
FIG. 3 is a front elevational view thereof;
FIG. 4 is a rear elevational view thereof;
FIG. 5 is a left side view thereof;
FIG. 6 is a right side view thereof;
FIG. 7 is a top plan view thereof;
FIG. 8 is a bottom plan view thereof;
FIG. 9 is an enlarged view of portion 9 in FIG. 1;
FIG. 10 is an enlarged view of portion 10 in FIG. 1; and,
FIG. 11 is an enlarged view of portion 11 in FIG. 2.
The broken lines in the drawings illustrate portions of the
HDTV antenna which form no part of the claimed design.

1 Claim, 11 Drawing Sheets



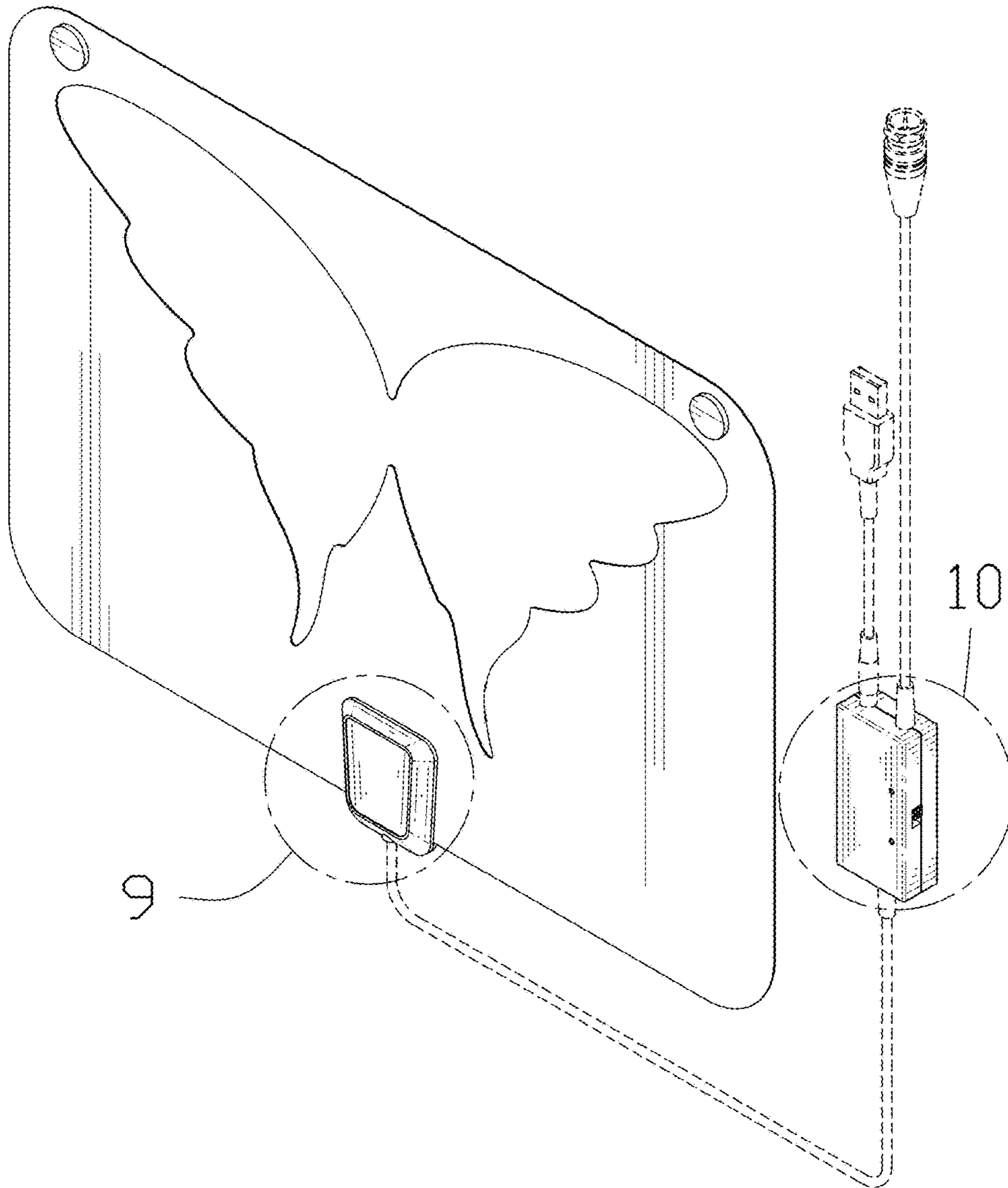


FIG. 1

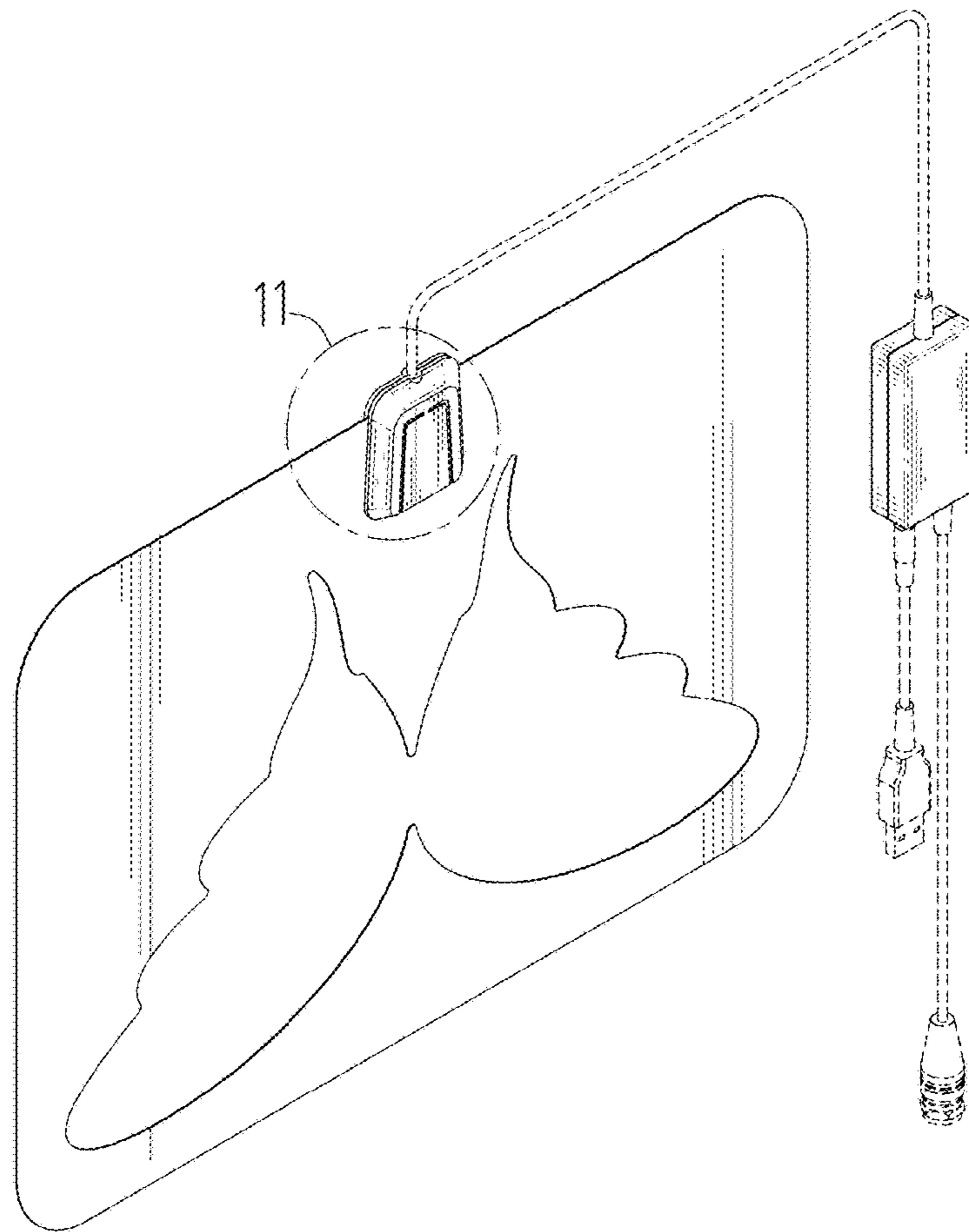


FIG. 2

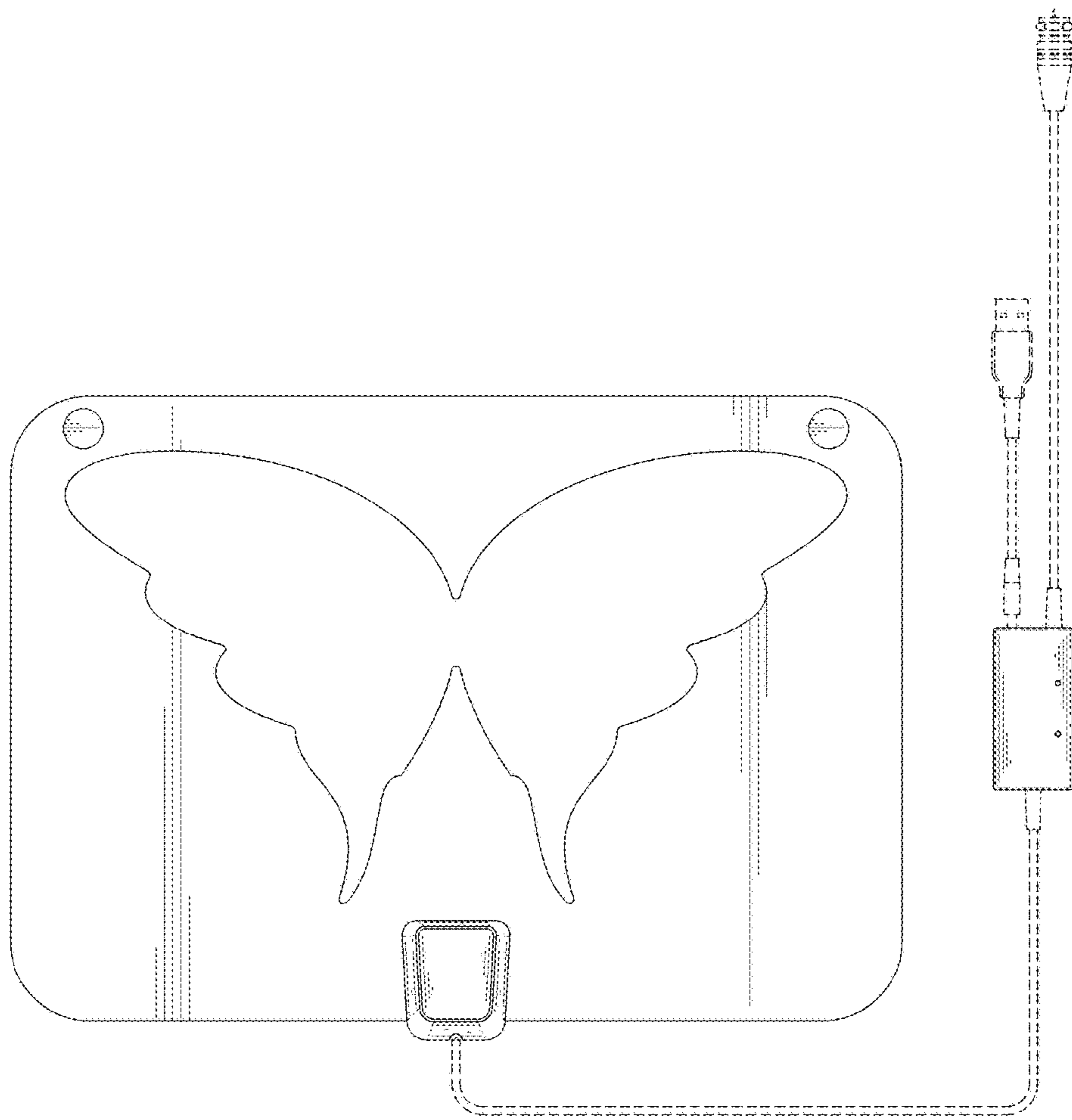


FIG. 3

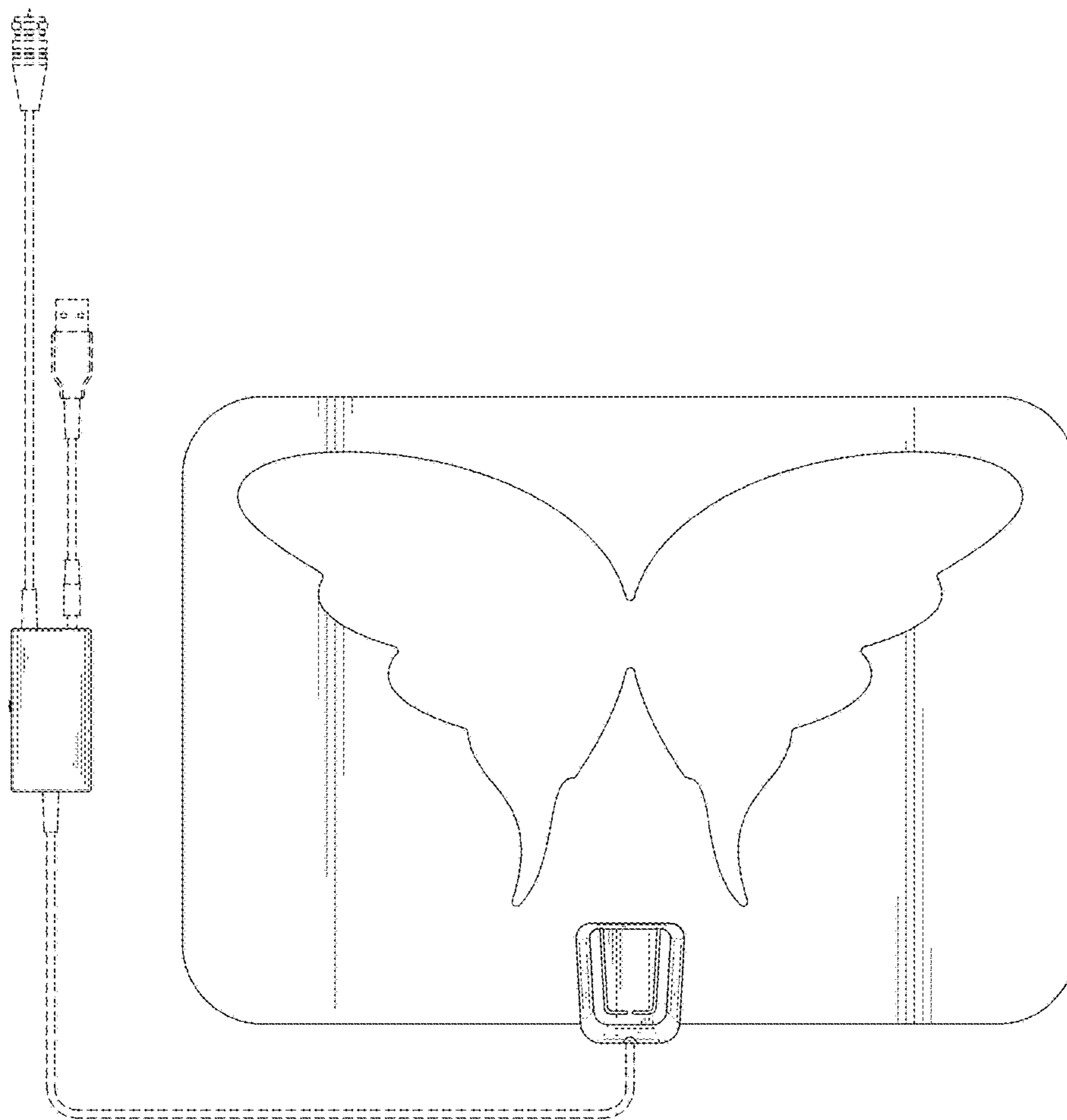


FIG. 4



FIG. 5

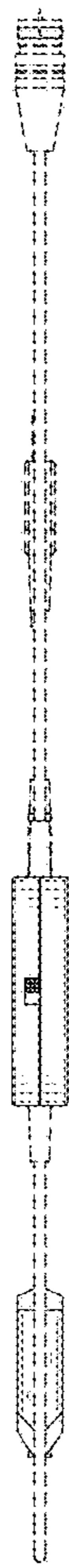


FIG. 6

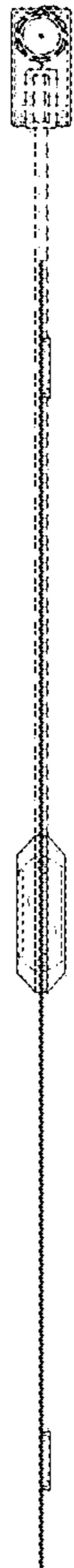


FIG. 7

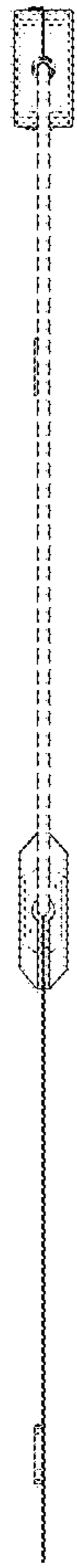


FIG. 8

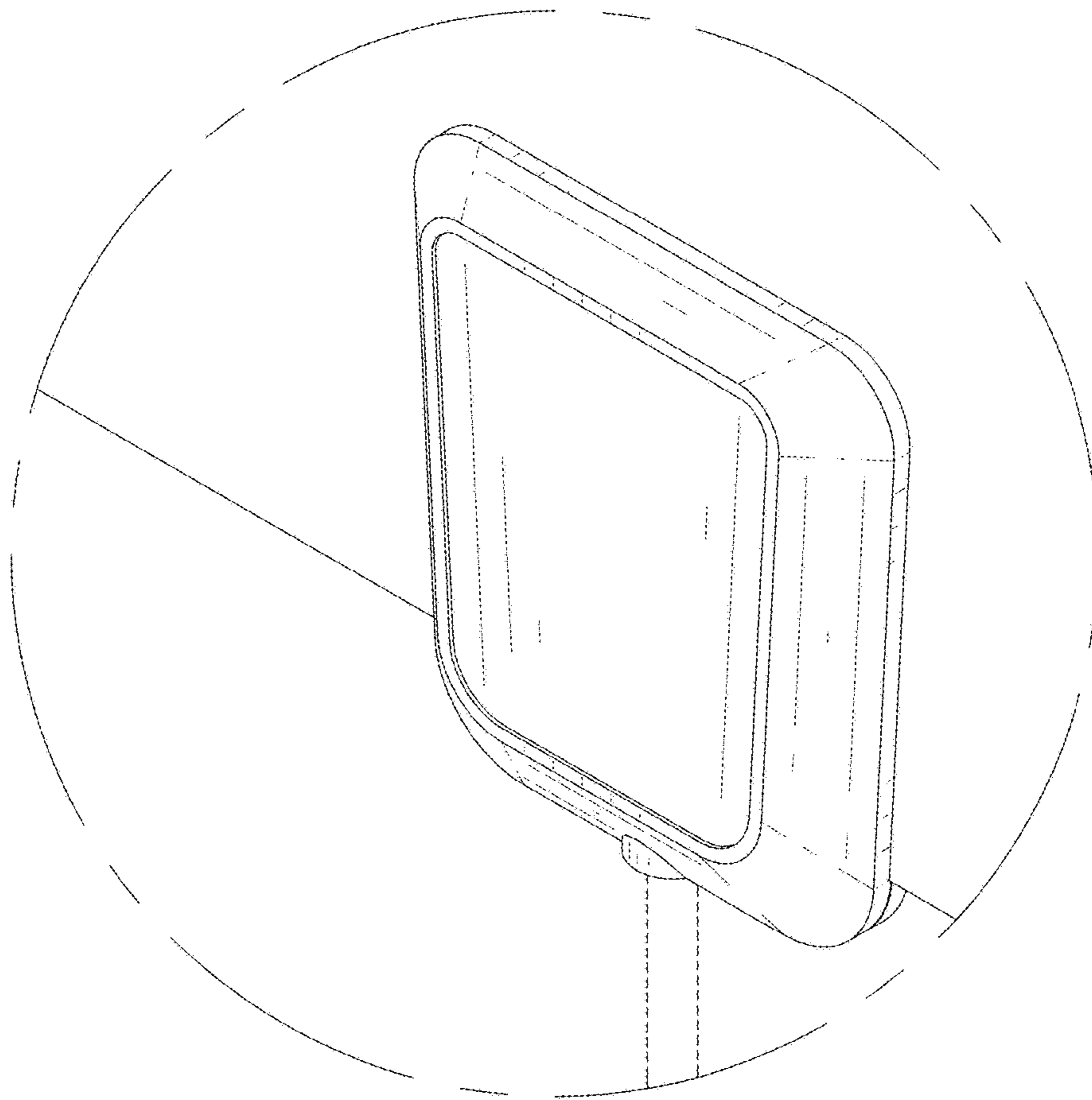


FIG. 9

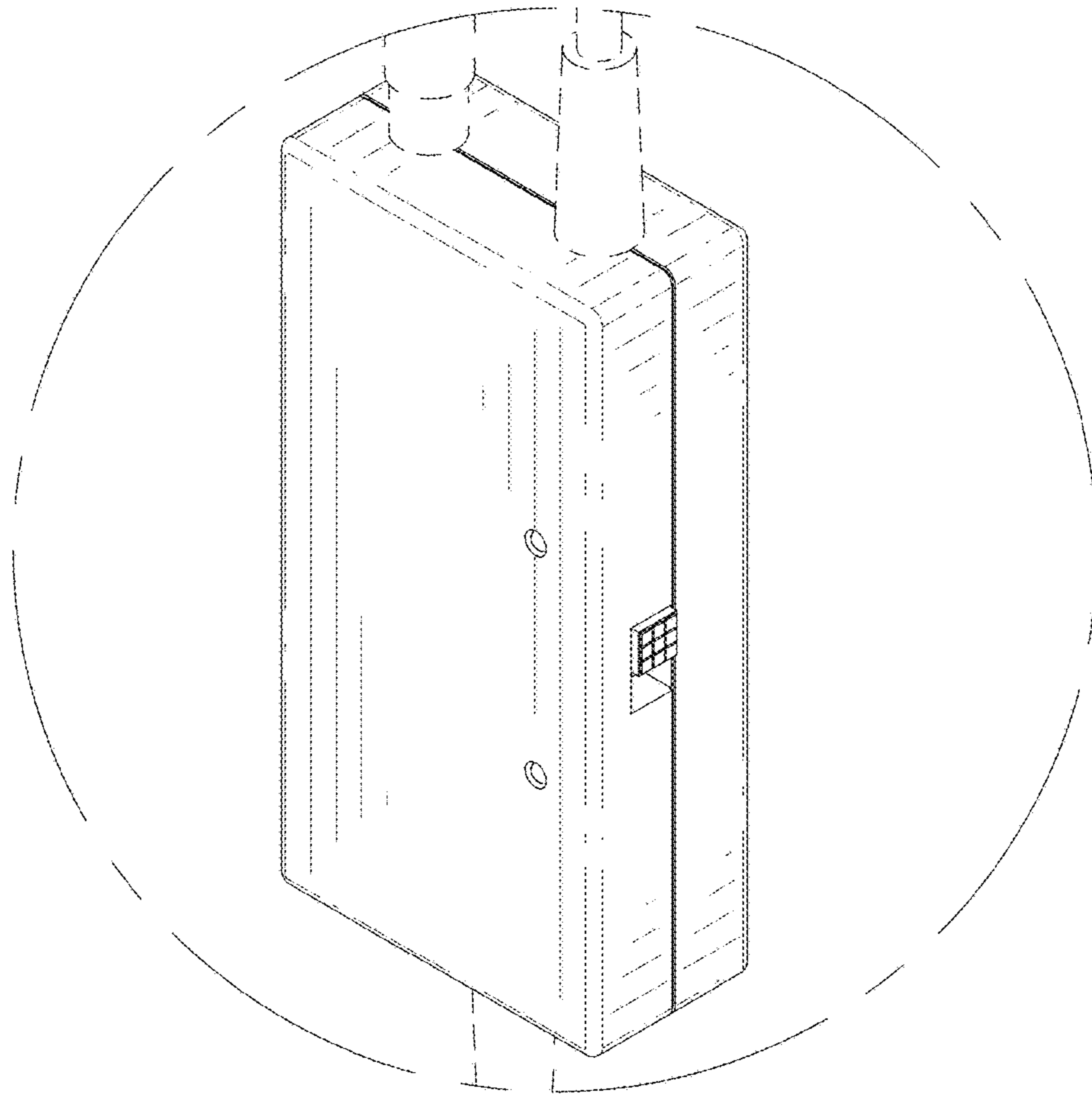


FIG. 10

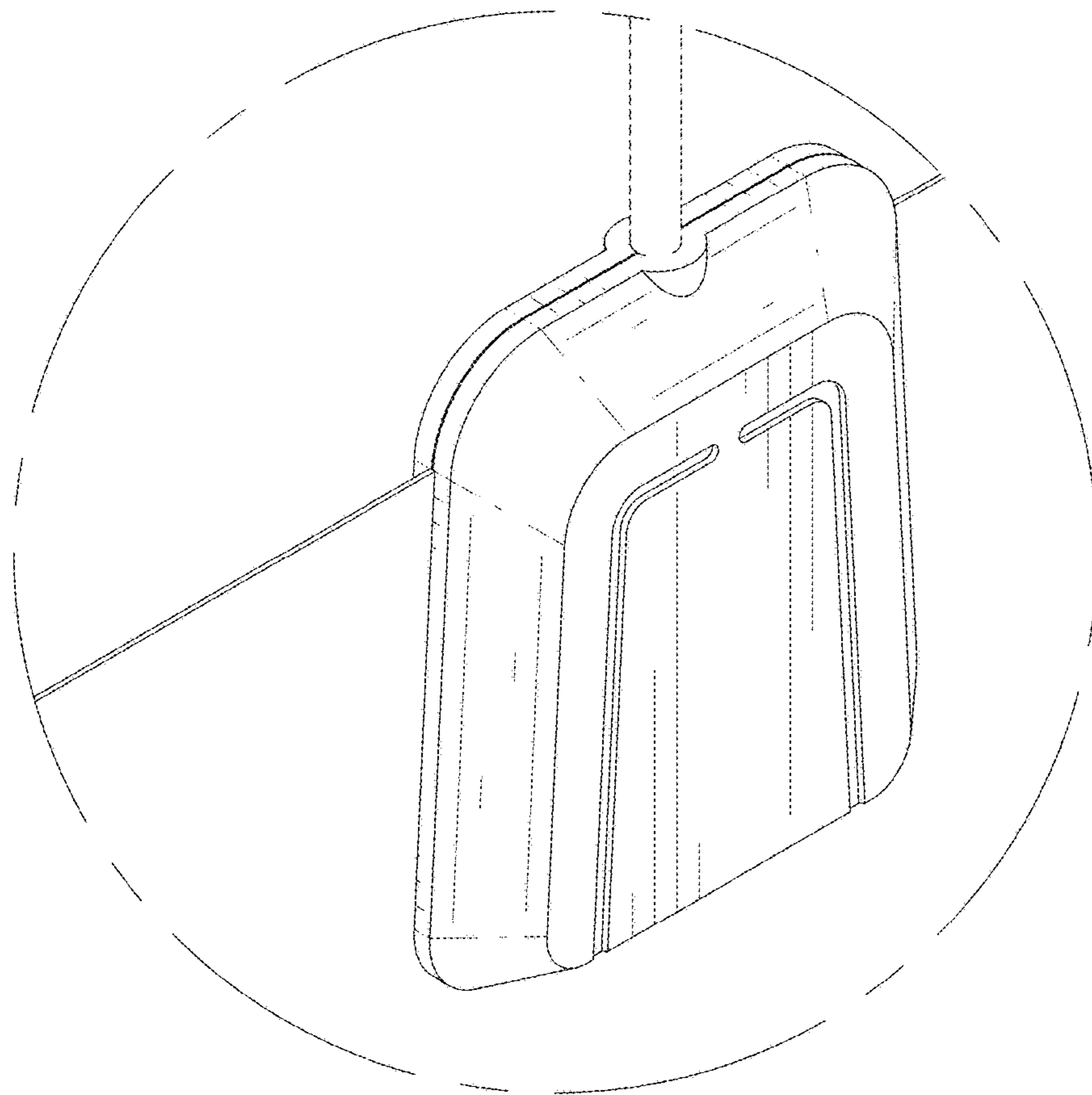


FIG. 11