



US00D861647S

(12) **United States Design Patent**  
**Chen**

(10) **Patent No.:** **US D861,647 S**  
(45) **Date of Patent:** **\*\* Oct. 1, 2019**

- (54) **WIRELESS EARPHONE**
- (71) Applicant: **Shenzhen Zheng He Wei Ye Technology Co., LTD., Shenzhen (CN)**
- (72) Inventor: **Ruosheng Chen, Shantou (CN)**
- (73) Assignee: **Shenzhen Zheng He Wei Ye Technology Co., Ltd., Shenzhen (CN)**
- (\*\*) Term: **15 Years**
- (21) Appl. No.: **29/682,649**
- (22) Filed: **Mar. 7, 2019**

D431,553 S *	10/2000	Suzuki	.....	D14/223
D469,753 S *	2/2003	Andre	.....	D14/205
D499,397 S *	12/2004	Hlas	.....	D14/223
D515,070 S *	2/2006	Andre	.....	D14/205
D531,169 S *	10/2006	Tokioka	.....	D14/223
D539,268 S *	3/2007	Suzuki	.....	D14/206
D554,109 S *	10/2007	Ledbetter	.....	D14/223
D554,627 S *	11/2007	Gondo	.....	D14/223
D555,152 S *	11/2007	Wang	.....	D14/223
D556,741 S *	12/2007	Yeo	.....	D14/205
D557,689 S *	12/2007	Huang	.....	D14/223
D564,495 S *	3/2008	Sasaki	.....	D14/205
D572,703 S *	7/2008	Ledbetter	.....	D14/205
D573,977 S *	7/2008	Ledbetter	.....	D14/205
D573,978 S *	7/2008	Ledbetter	.....	D14/205
D574,361 S *	8/2008	Sasaki	.....	D14/205
D582,389 S *	12/2008	Bose	.....	D14/205

(Continued)

(30) **Foreign Application Priority Data**

Sep. 13, 2018 (CN) ..... 2018 3 0515746

- (51) **LOC (12) Cl.** ..... **14-01**
- (52) **U.S. Cl.**  
USPC ..... **D14/223**

- (58) **Field of Classification Search**  
USPC ..... D14/223, 205; 181/129, 130, 135;  
379/430, 431; 381/380, 381, 370, 371,  
381/382, 328, 373; 455/90.3, 575.1,  
455/569.1  
CPC ..... H04R 1/10; H04R 25/00; H04R 25/02;  
H04R 1/105; H04R 1/1016; H04R  
1/1066; H04R 1/20; H04R 1/1091  
See application file for complete search history.

(56) **References Cited**

**U.S. PATENT DOCUMENTS**

4,588,867 A *	5/1986	Konomi	.....	H04R 1/46 379/430
5,363,444 A *	11/1994	Norris	.....	H04M 1/05 379/430
5,373,555 A *	12/1994	Norris	.....	H04M 1/05 379/430
6,122,369 A *	9/2000	Hwang	.....	H04M 1/6058 379/420.04

**FOREIGN PATENT DOCUMENTS**

CN 305269588 \* 7/2019

*Primary Examiner* — Paula Allen Greene

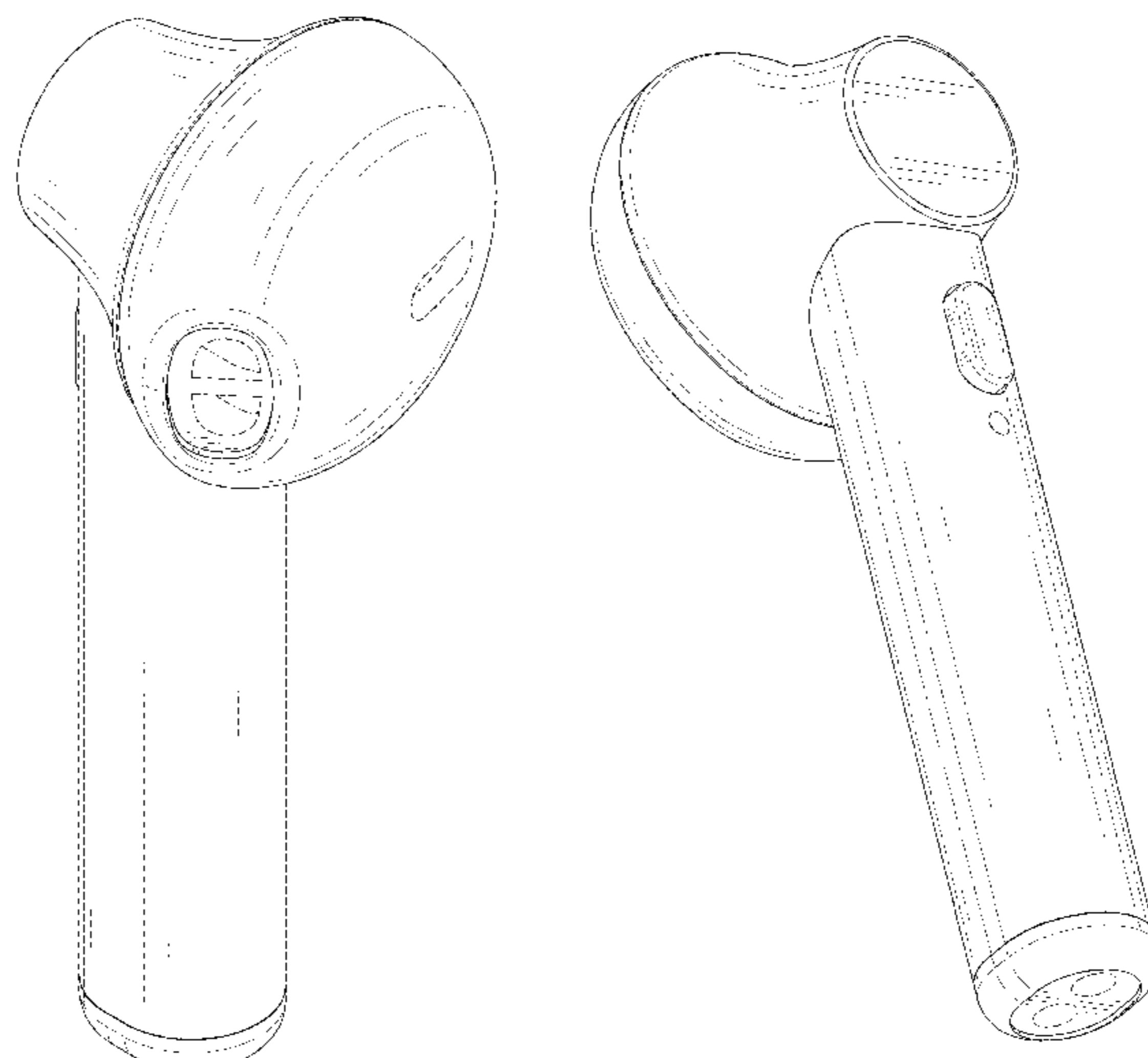
(57) **CLAIM**

The ornamental design for wireless earphone, as shown and described.

**DESCRIPTION**

FIG. 1 is a perspective view of the wireless earphone showing my new design;  
 FIG. 2 is another perspective view thereof;  
 FIG. 3 is a front elevational view thereof;  
 FIG. 4 is a rear elevational view thereof;  
 FIG. 5 is a left side elevational view thereof;  
 FIG. 6 is a right side elevational view thereof;  
 FIG. 7 is a top plan view thereof; and,  
 FIG. 8 is a bottom plan view thereof.  
 The broken lines illustrate portions of the wireless earphone that form no part of the claimed design.

**1 Claim, 8 Drawing Sheets**



# US D861,647 S

Page 2

(56)

## References Cited

### U.S. PATENT DOCUMENTS

D582,889 S *	12/2008	Bose	D14/205	9,042,588 B2 *	5/2015	Aase	H04R 1/1041 381/380
D586,332 S *	2/2009	Ewert	D14/223	D730,876 S *	6/2015	Dahlberg	D14/223
D587,685 S *	3/2009	Densho	D14/206	D733,101 S *	6/2015	Pi	D14/223
D593,537 S *	6/2009	Arimoto	D14/205	D738,689 S *	7/2015	Narita	D14/223
D596,616 S	7/2009	Andre et al.		D746,268 S *	9/2015	Laffon de Mazieres	D14/223
D599,778 S *	9/2009	Ando	D14/205	D757,682 S *	12/2015	Karayiannis	D14/223
D641,010 S *	7/2011	Kwon	D14/223	D760,202 S *	5/2016	Perez	D14/205
8,073,181 B2 *	12/2011	Bakalos	H04R 3/04 381/103	D762,616 S *	6/2016	Hsieh	D14/223
D652,823 S *	1/2012	Chen	D14/223	D770,412 S *	8/2016	Hsieh	D14/205
D660,290 S *	5/2012	Weedon	D14/223	D773,435 S *	11/2016	Son	D14/205
D681,015 S *	4/2013	Akana	H04R 1/10 D14/223	D784,962 S *	12/2016	Ott	D14/205
8,422,717 B2 *	4/2013	Lin	H04R 1/1091 181/129	D801,314 S *	4/2017	Yang	D14/223
D707,206 S *	6/2014	Akana	H04R 1/10 D14/223	D829,193 S *	10/2017	Akana	D14/223
D707,652 S *	6/2014	Brunner	H04R 1/1016 D14/205	D830,336 S	9/2018	Cai	D14/223
D711,857 S *	8/2014	Burgett	D14/223	D830,345 S	10/2018	Cai	
8,837,765 B2 *	9/2014	Lin	H04R 1/2807 381/371	D847,125 S *	10/2018	Akana	D14/223
D715,777 S *	10/2014	Huang	D14/223	D848,982 S *	4/2019	Kim	D14/223
8,873,790 B2 *	10/2014	Hayashida	H04R 1/1016 381/370	2007/0189570 A1 *	5/2019	Matsuo	H04R 1/1016 381/382
8,879,768 B2 *	11/2014	Podoloff	H04R 1/1016 381/370	2012/0057738 A1 *	8/2007	Lin	H04R 1/1091 381/370
8,965,030 B2 *	2/2015	Aase	H04R 1/1016 381/380	2012/0237074 A1 *	3/2012	Aase	H04R 1/1016 381/380
				2013/0004011 A1 *	9/2012	Hayashida	H04R 1/1016 381/380
				2013/0343595 A1 *	1/2013	Zorkendorfer	H04R 1/10 381/380
				2017/0164087 A1 *	12/2013	Kurtz	H04R 1/1091

\* cited by examiner

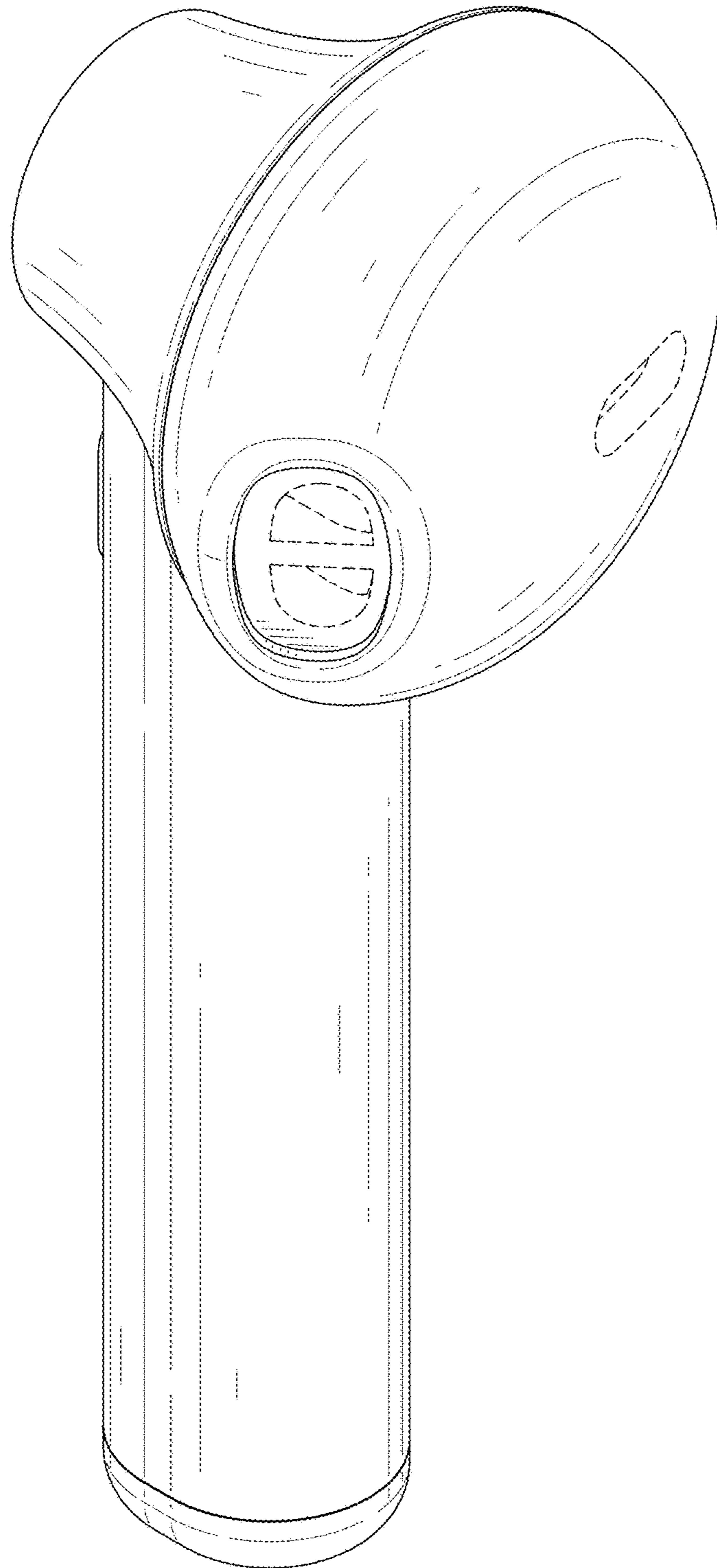


FIG. 1

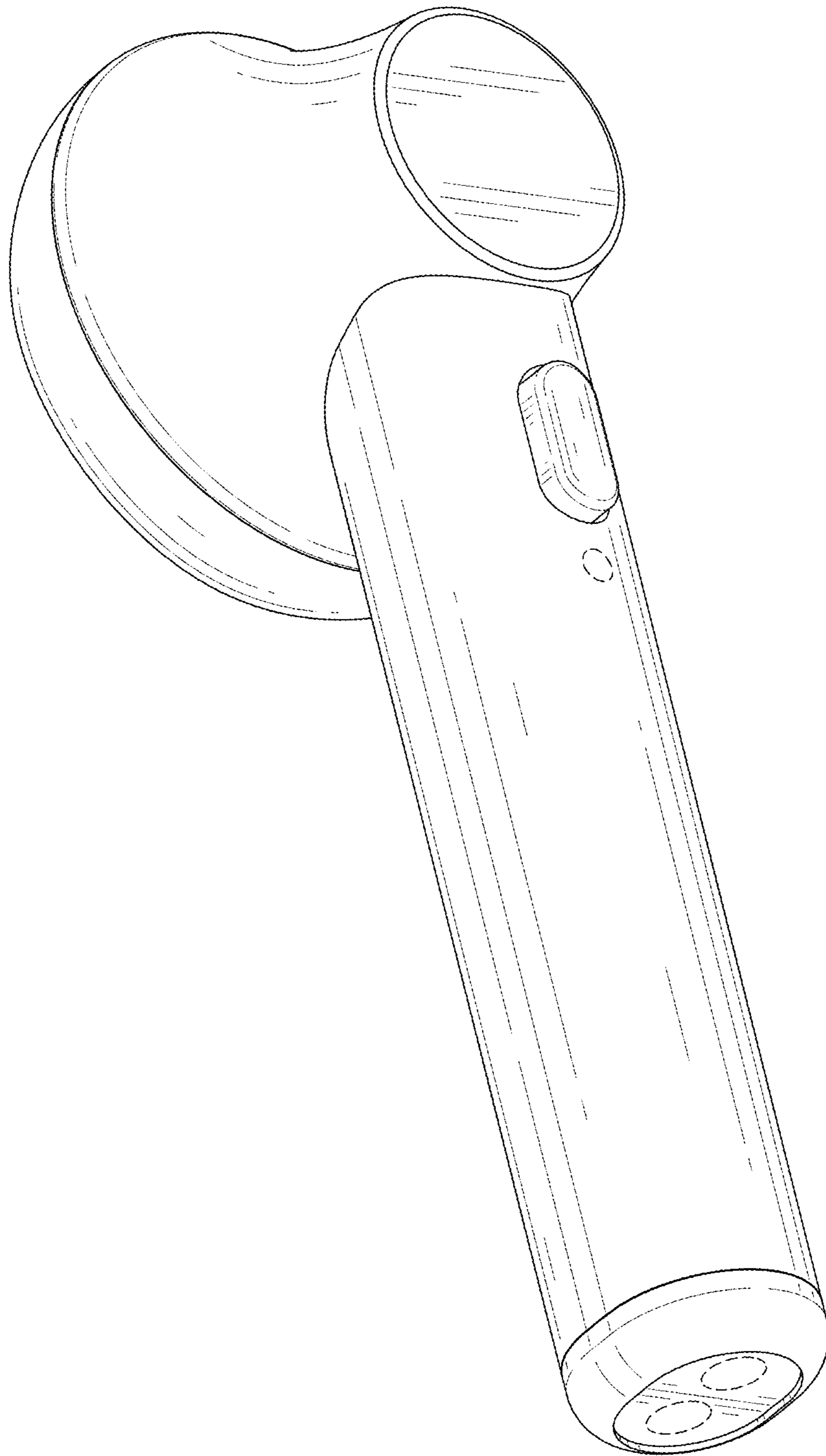


FIG. 2

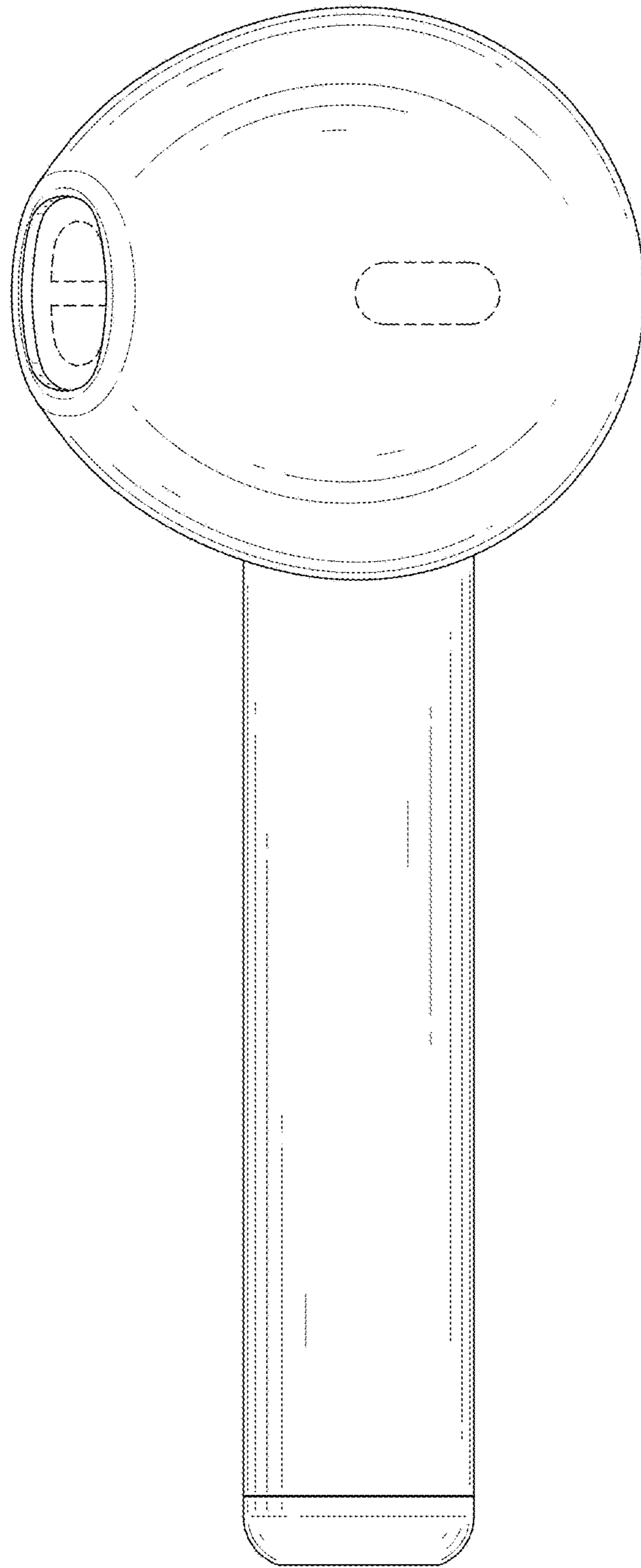


FIG. 3

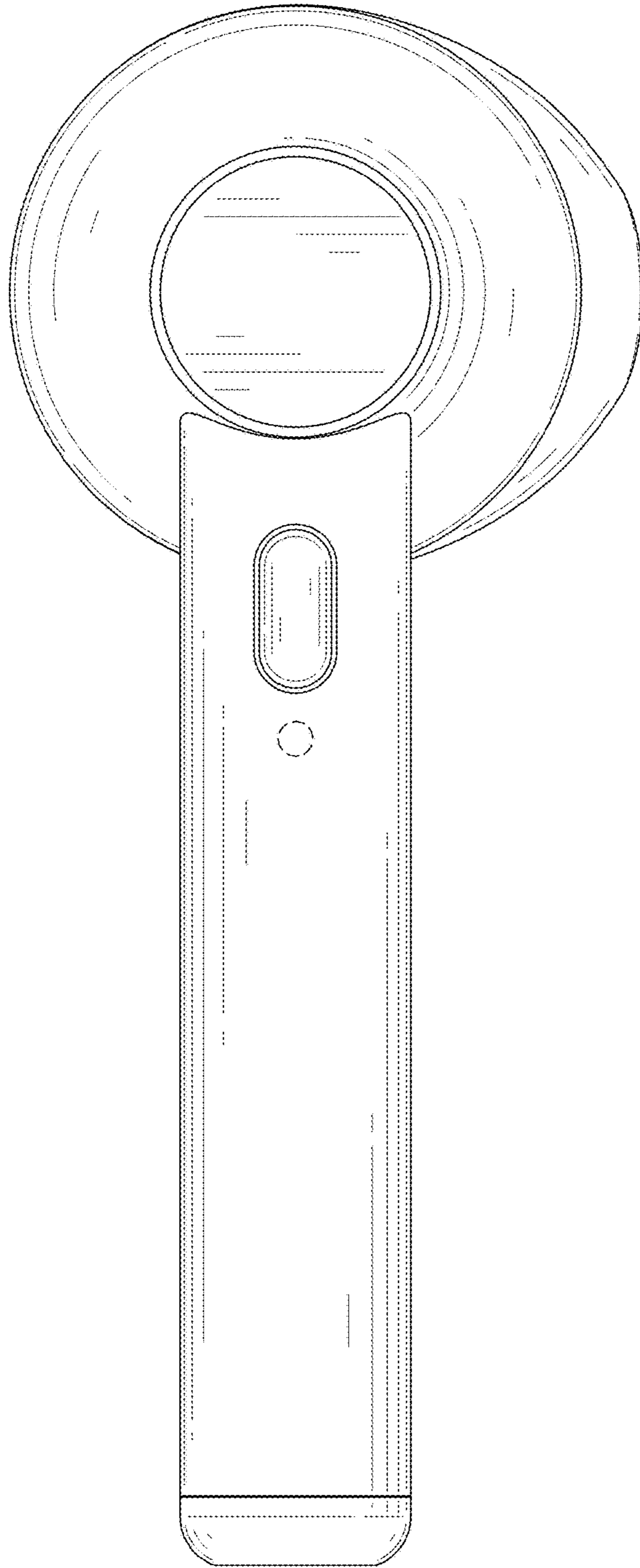


FIG. 4

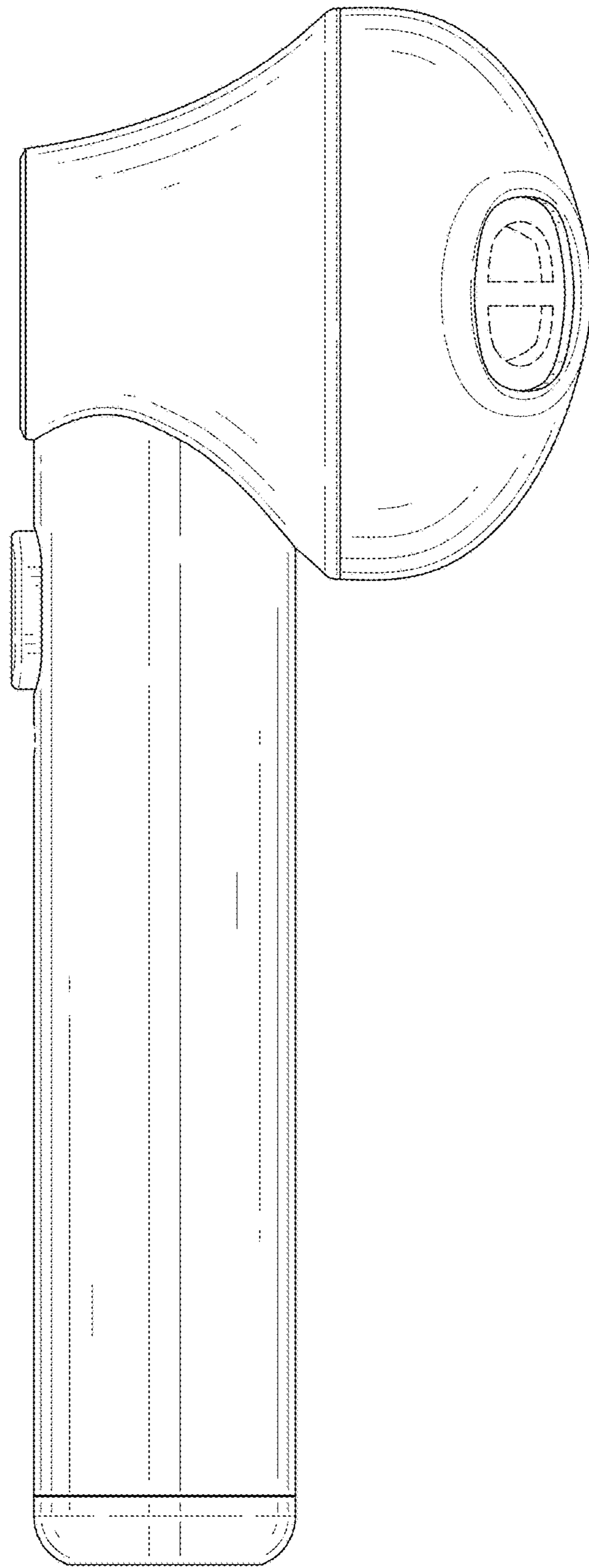


FIG. 5

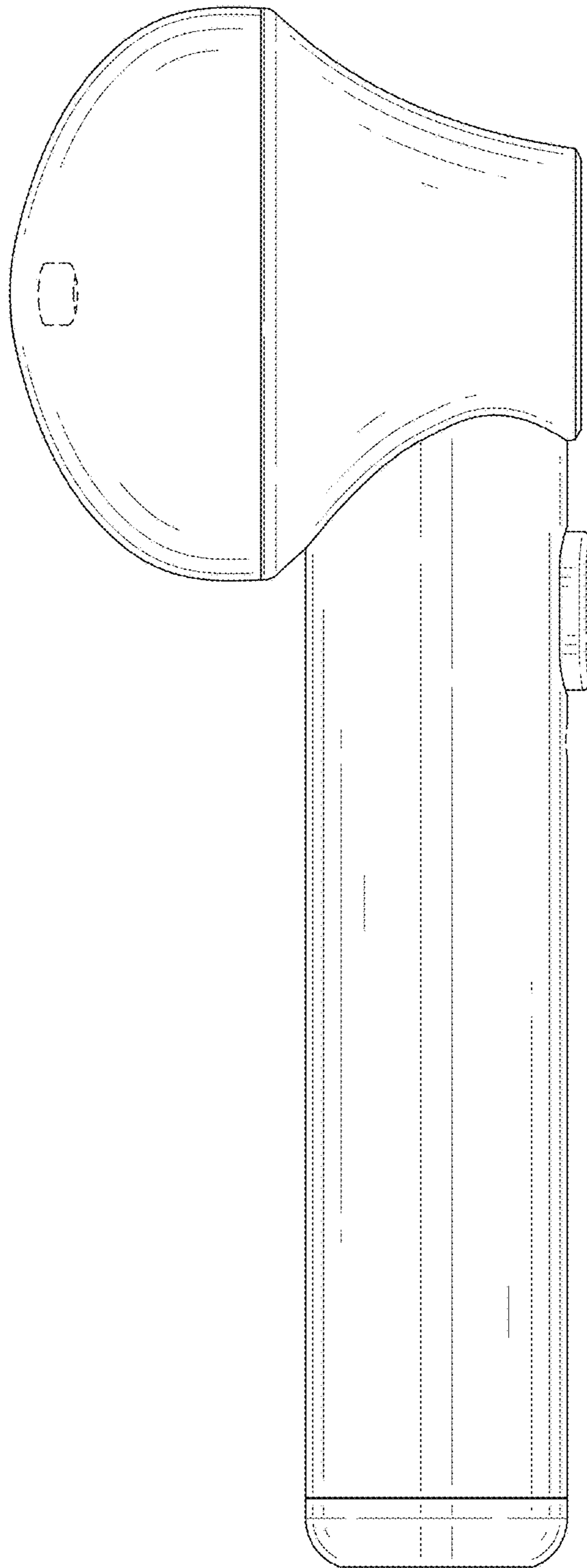


FIG. 6



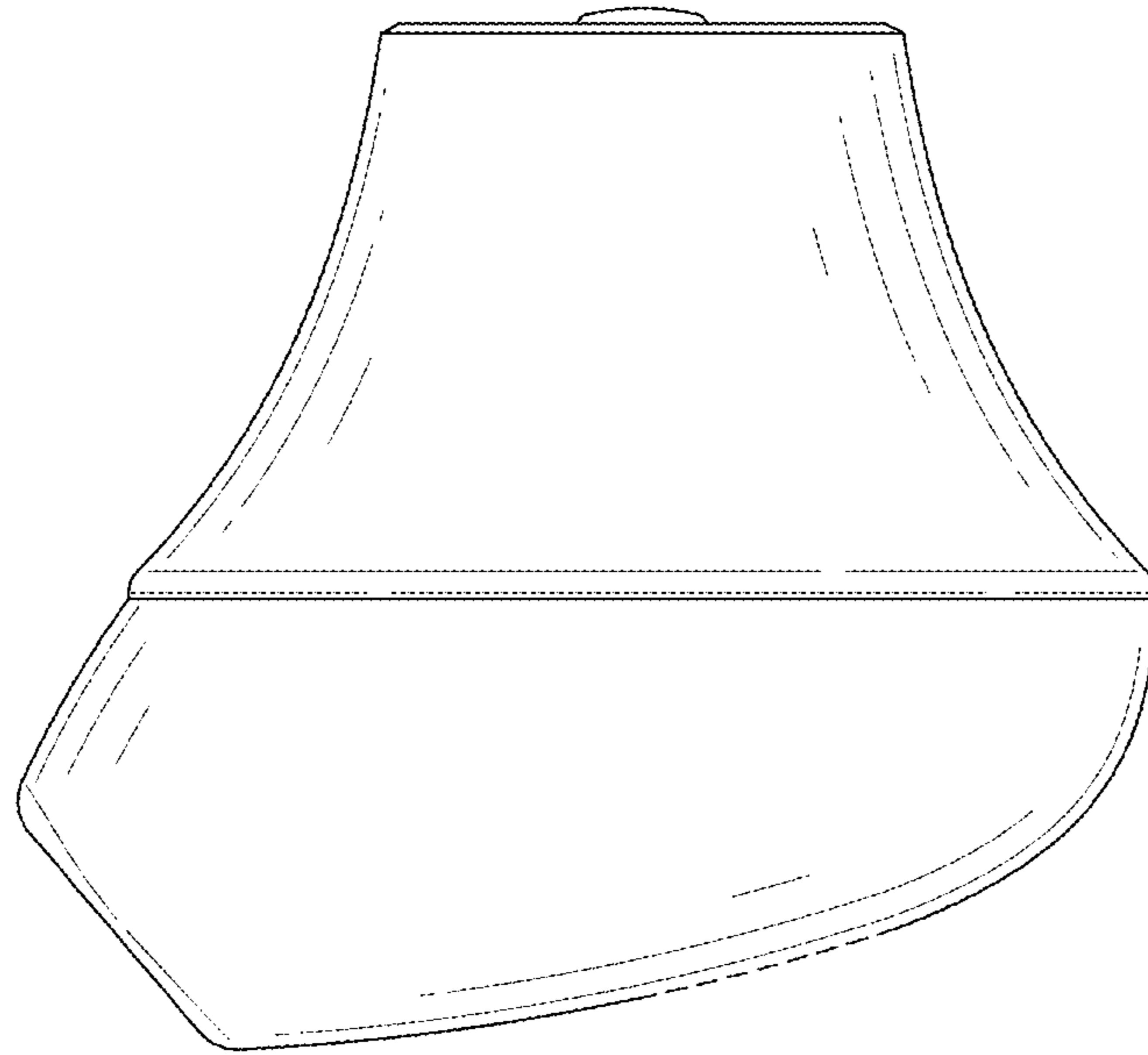


FIG. 7

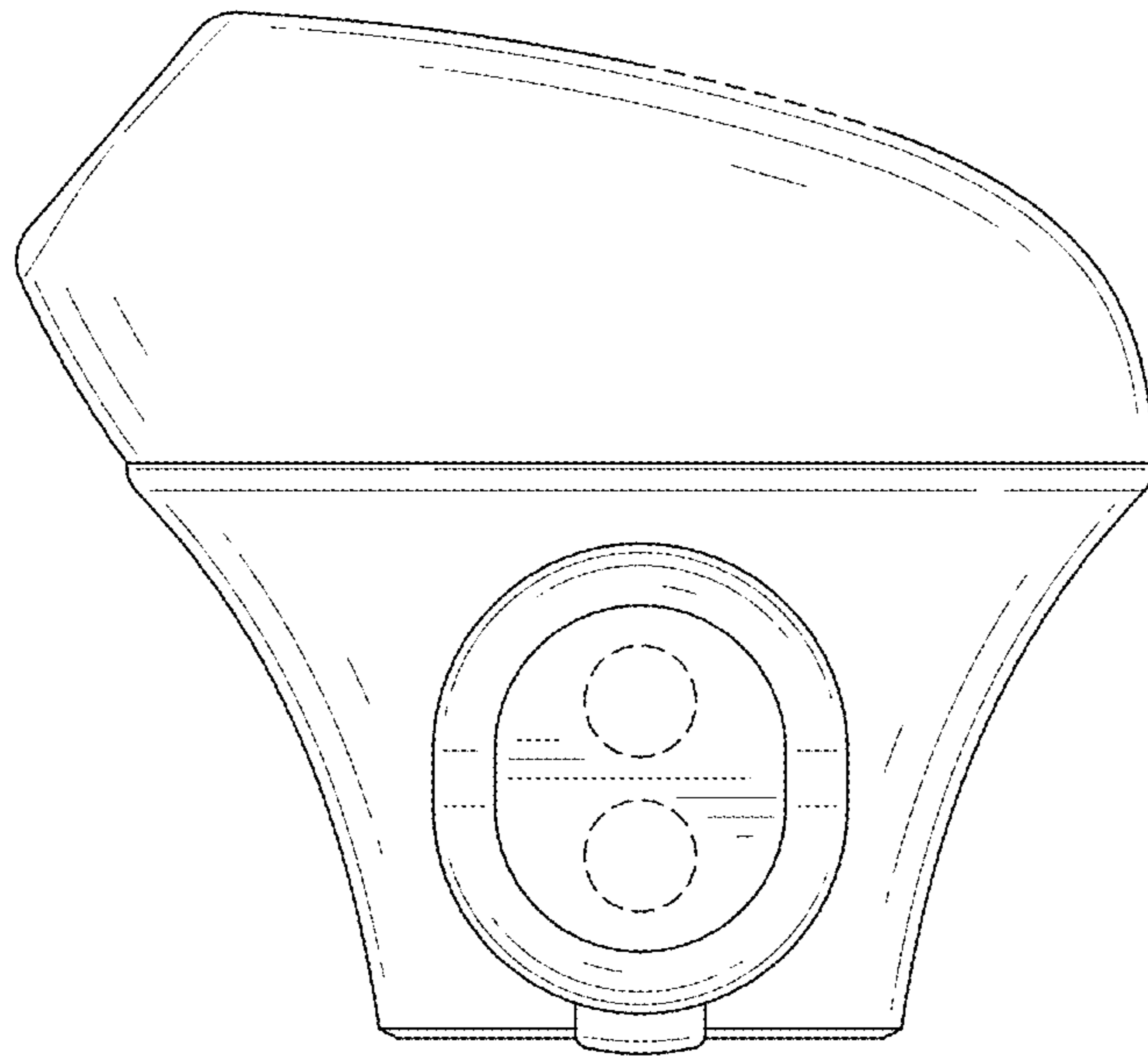


FIG. 8