



US00D861646S

(12) **United States Design Patent**  
**Sharma**

(10) **Patent No.:** **US D861,646 S**  
(45) **Date of Patent:** **\*\* Oct. 1, 2019**

(54) **EARPHONE**

FOREIGN PATENT DOCUMENTS

(71) Applicant: **AKOUSTYX LTD.**, Wanchai (HK)

JP 2010273136 A \* 12/2010

(72) Inventor: **Ravi Devkrishna Sharma**, Wanchai (HK)

OTHER PUBLICATIONS

(73) Assignee: **AKOUSTYX LTD.**, Wanchai (HK)

Canjam at Rocky Mountain Audio Fest 2018, posted Nov. 5, 2018 [online] p. 10-11, retrieved Dec. 6, 2018, retrieved from internet, <<https://headphone.guru/canjam-at-rocky-mountain-audio-fest-2018-pt5/>>.\*

(\*\*) Term: **15 Years**

*Primary Examiner* — Barbara Fox

(21) Appl. No.: **29/638,014**

*Assistant Examiner* — Messina L Smith

(22) Filed: **Feb. 23, 2018**

(74) *Attorney, Agent, or Firm* — Tarolli, Sundheim, Covell & Tummino LLP

(51) **LOC (12) Cl.** ..... **14-01**

(52) **U.S. Cl.**  
USPC ..... **D14/223**

(58) **Field of Classification Search**  
USPC ..... D14/205, 221, 223, 224, 224.1, 225;  
D24/173, 174

CPC ..... H04R 1/10; H04R 1/1016; H04R 1/1066;  
H04R 1/1033; H04R 1/08; H04R 5/033;  
H04R 5/0335; H04R 25/00

See application file for complete search history.

(57) **CLAIM**

The ornamental design for an earphone, as shown and described.

**DESCRIPTION**

FIG. 1 is a top perspective view of an earphone, showing the new design;

FIG. 2 is a bottom perspective view thereof;

FIG. 3 is a top plan view thereof;

FIG. 4 is a bottom plan view thereof;

FIG. 5 is a front elevation view thereof;

FIG. 6 is a rear elevation thereof;

FIG. 7 is a right side elevation thereof;

FIG. 8 is a left side elevation thereof;

FIG. 9 is a front elevation exploded view thereof;

FIG. 10 is a rear elevation exploded view thereof;

FIG. 11 is a top plan exploded view thereof;

FIG. 12 is a bottom plan exploded view thereof; and,

FIG. 13 is a section view taken in the direction of line 13-13 in FIG. 6.

The broken lines in the drawings depict portions of the earphone that form no part of the claimed design.

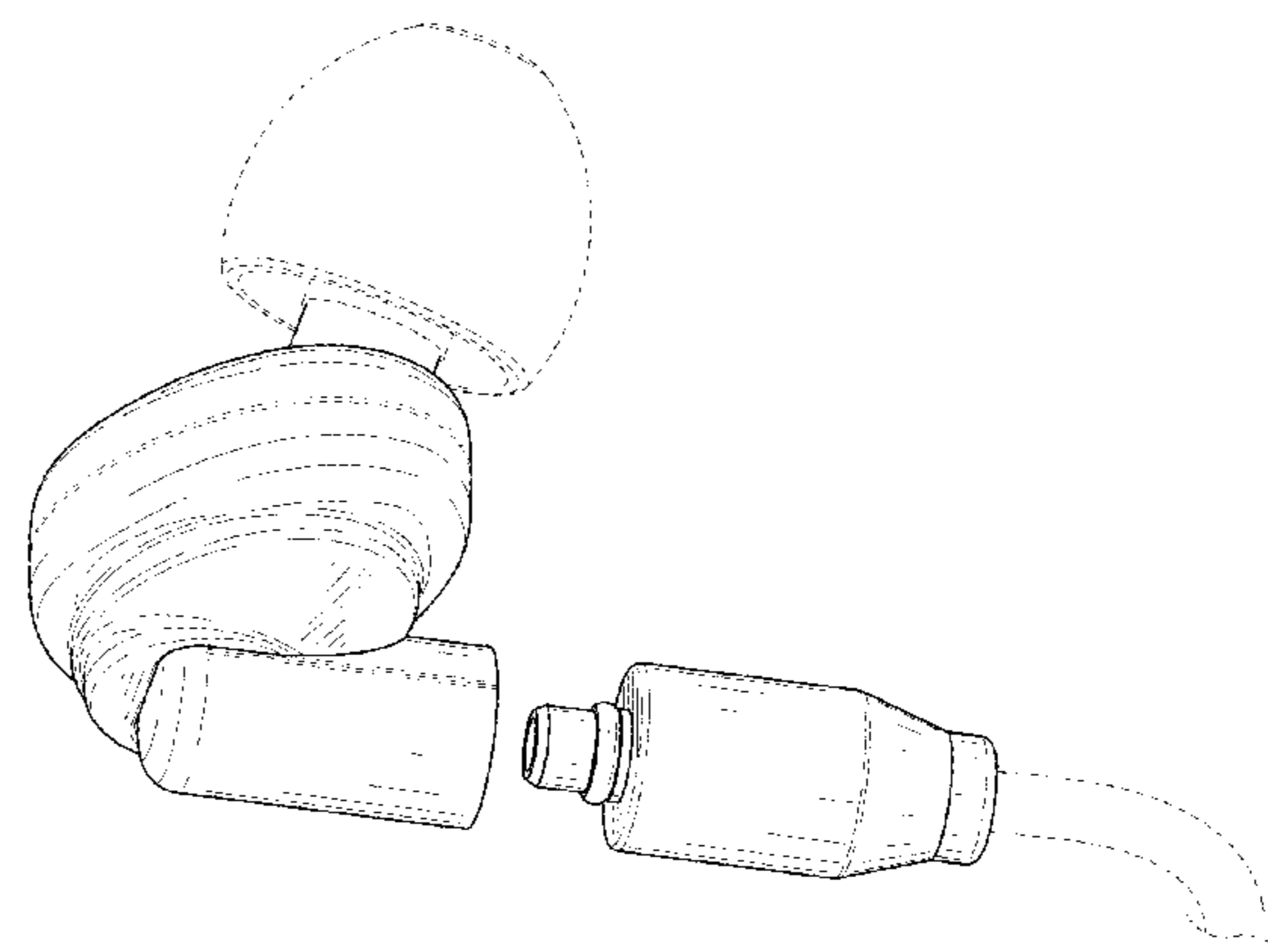
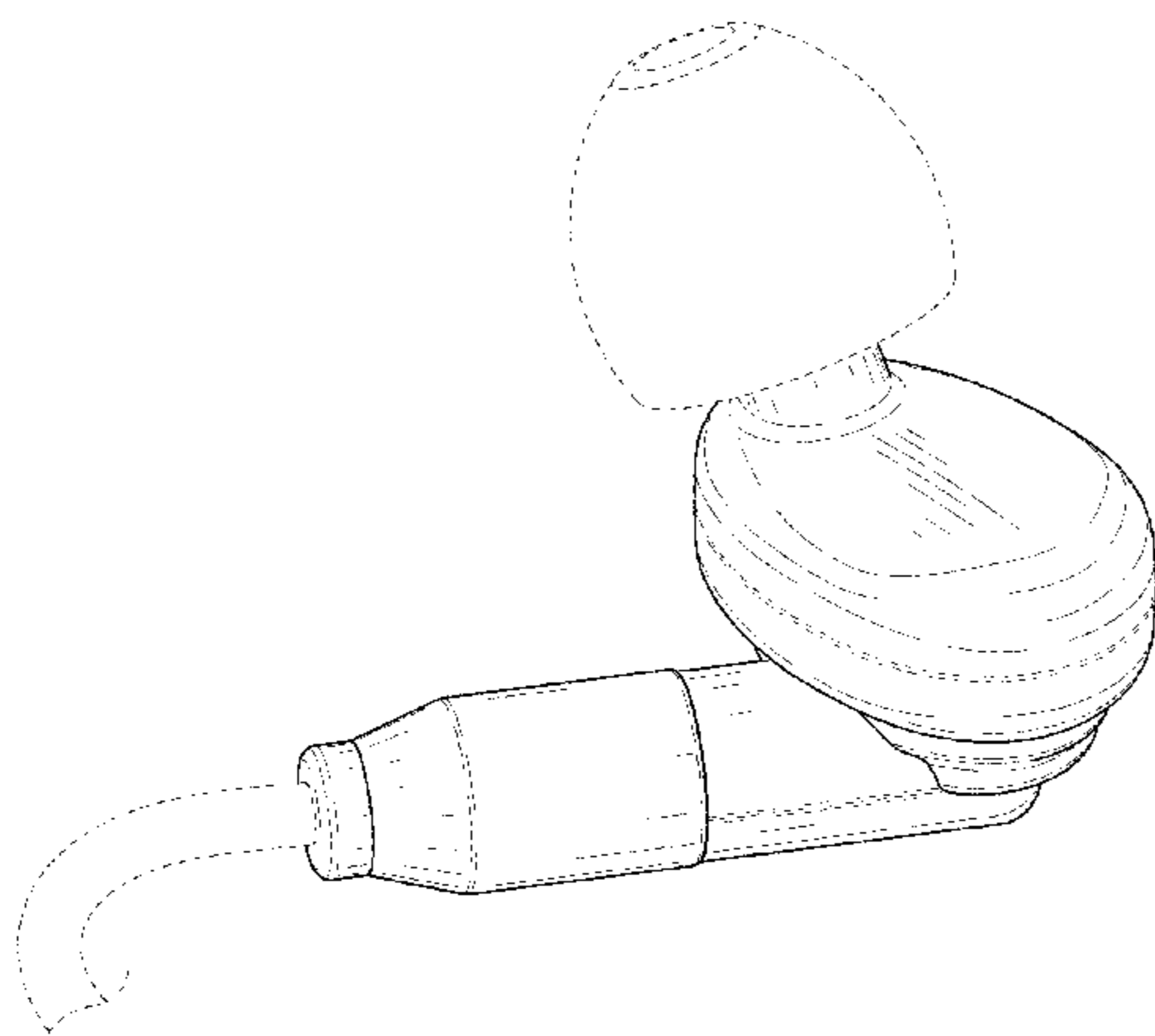
(56) **References Cited**

U.S. PATENT DOCUMENTS

D550,200 S *	9/2007	Drambarean	.....	D14/205
D566,099 S *	4/2008	Komiyama	.....	D14/206
D574,361 S *	8/2008	Sasaki	.....	D14/205
D632,678 S *	2/2011	Brown	.....	D14/223
D653,236 S *	1/2012	Andre	.....	D14/205
D685,481 S *	7/2013	Heaysman	.....	D24/174
D695,718 S *	12/2013	Burgett	.....	D14/223
D718,284 S *	11/2014	Shibusawa	.....	D14/223
D729,775 S *	5/2015	Seo	.....	D14/205
D821,362 S *	6/2018	Vaclavik	.....	D14/223
D821,999 S *	7/2018	Guo	.....	D14/205
D825,524 S *	8/2018	Wagner	.....	D14/205
D825,534 S *	8/2018	Kim	.....	D14/223
D830,336 S *	10/2018	Cai	.....	D14/205
D831,832 S *	10/2018	Rappaport	.....	D24/173
D832,824 S *	11/2018	Kim	.....	D14/223

(Continued)

**1 Claim, 7 Drawing Sheets**



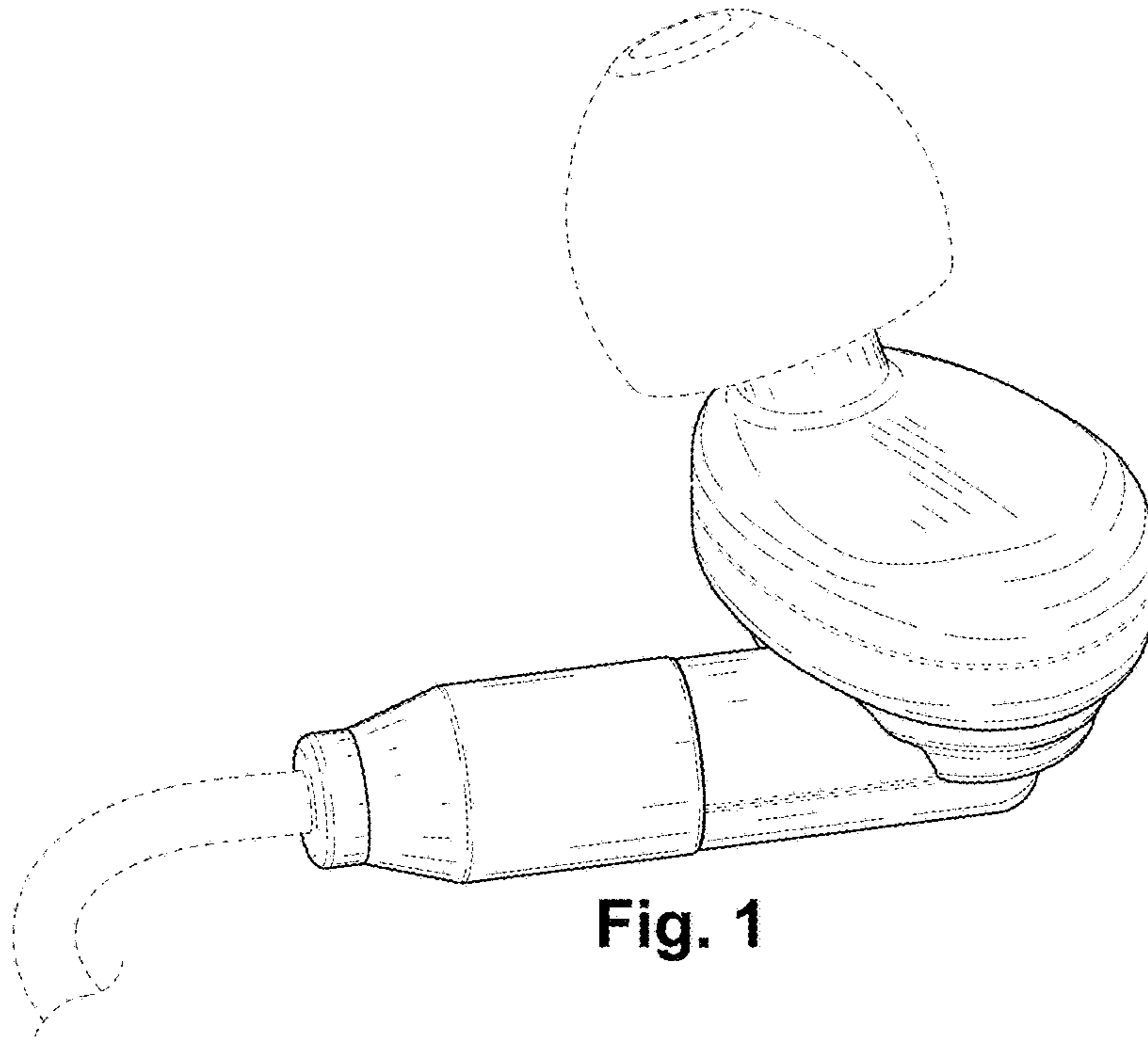
(56)

**References Cited**

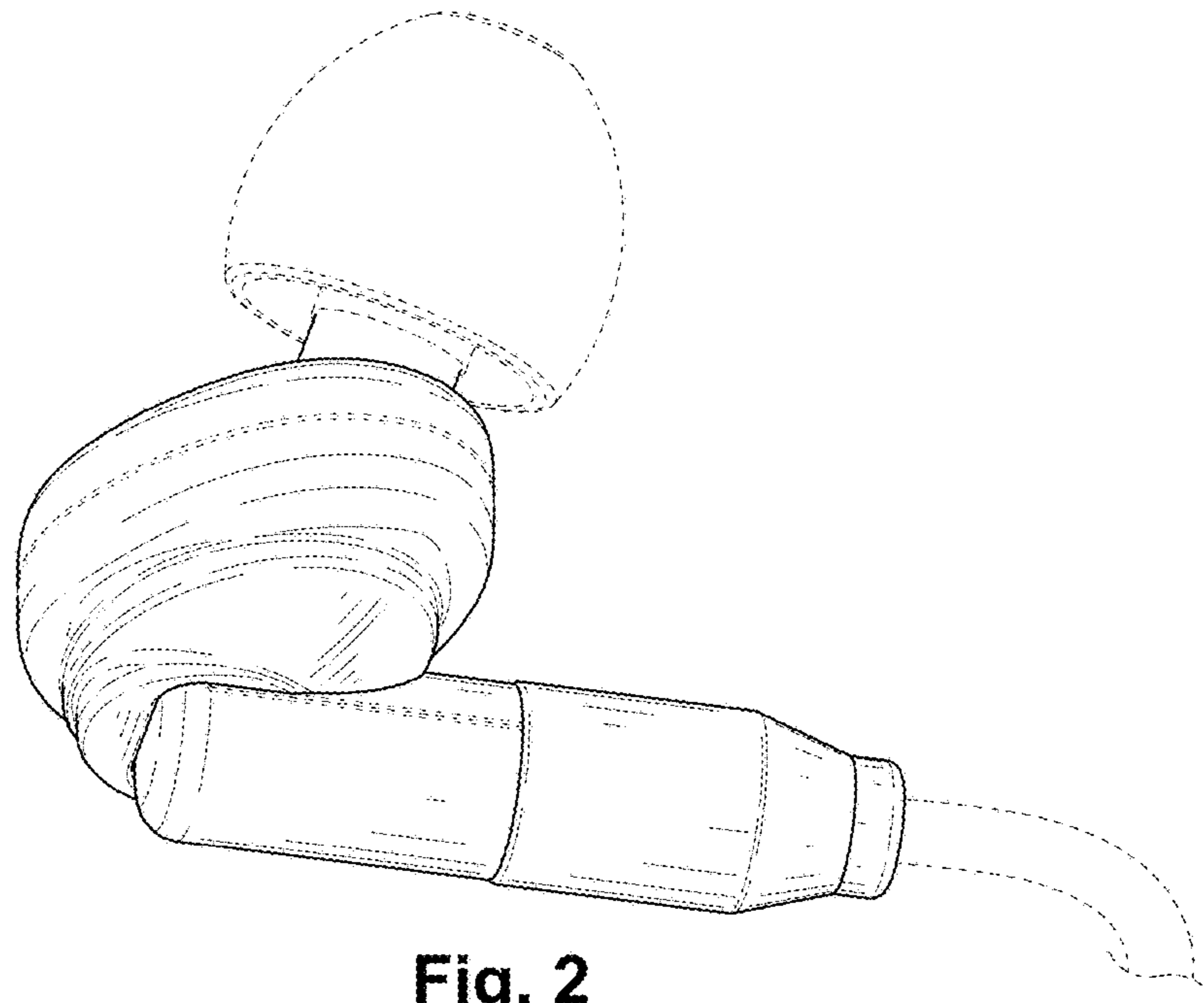
U.S. PATENT DOCUMENTS

2013/0136290 A1\* 5/2013 Huang ..... H04R 1/1016  
381/345  
2016/0014498 A1\* 1/2016 Paschel ..... H04R 1/1091  
381/380  
2018/0124489 A1\* 5/2018 Aljuwayed ..... H04R 1/1016

\* cited by examiner



**Fig. 1**



**Fig. 2**

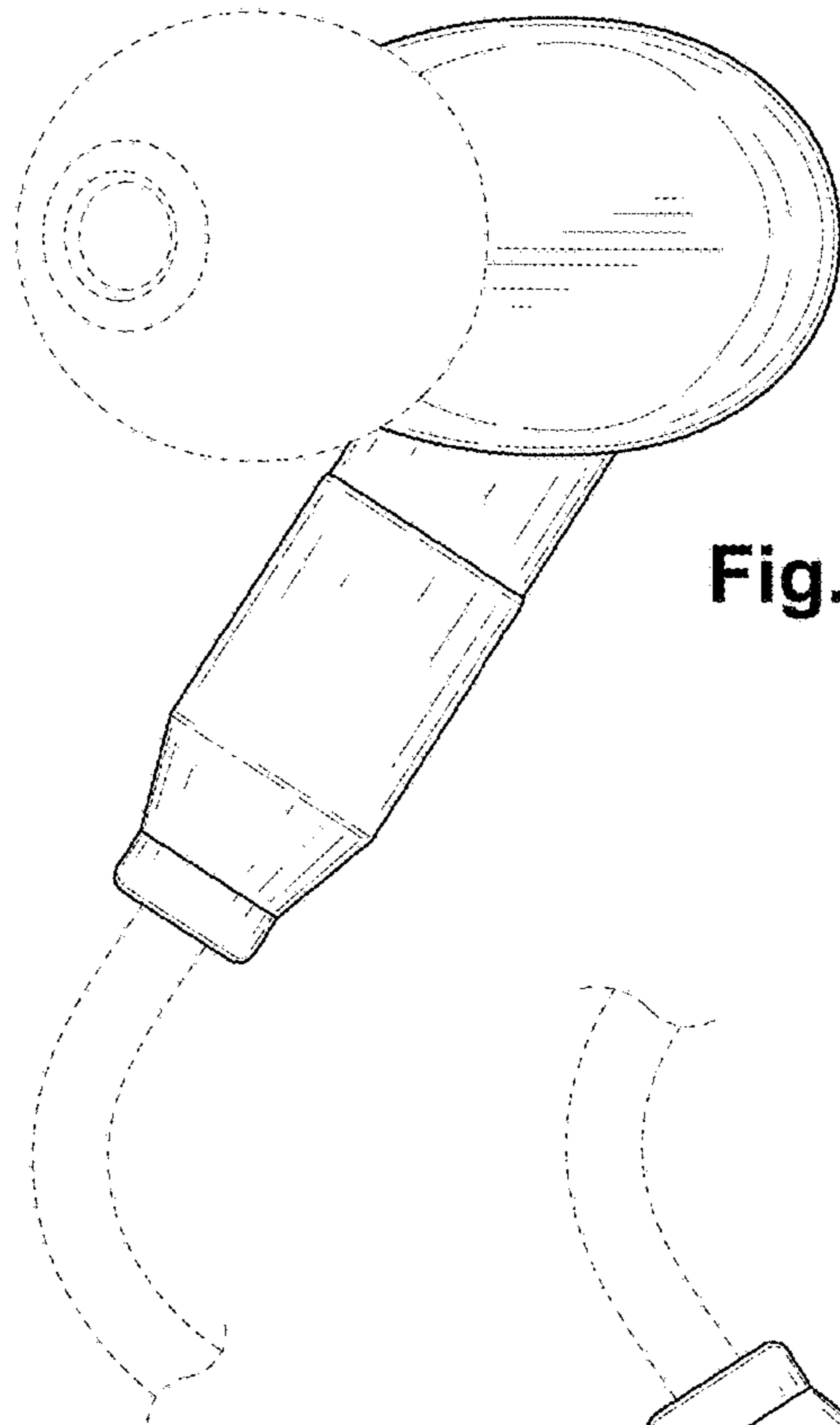
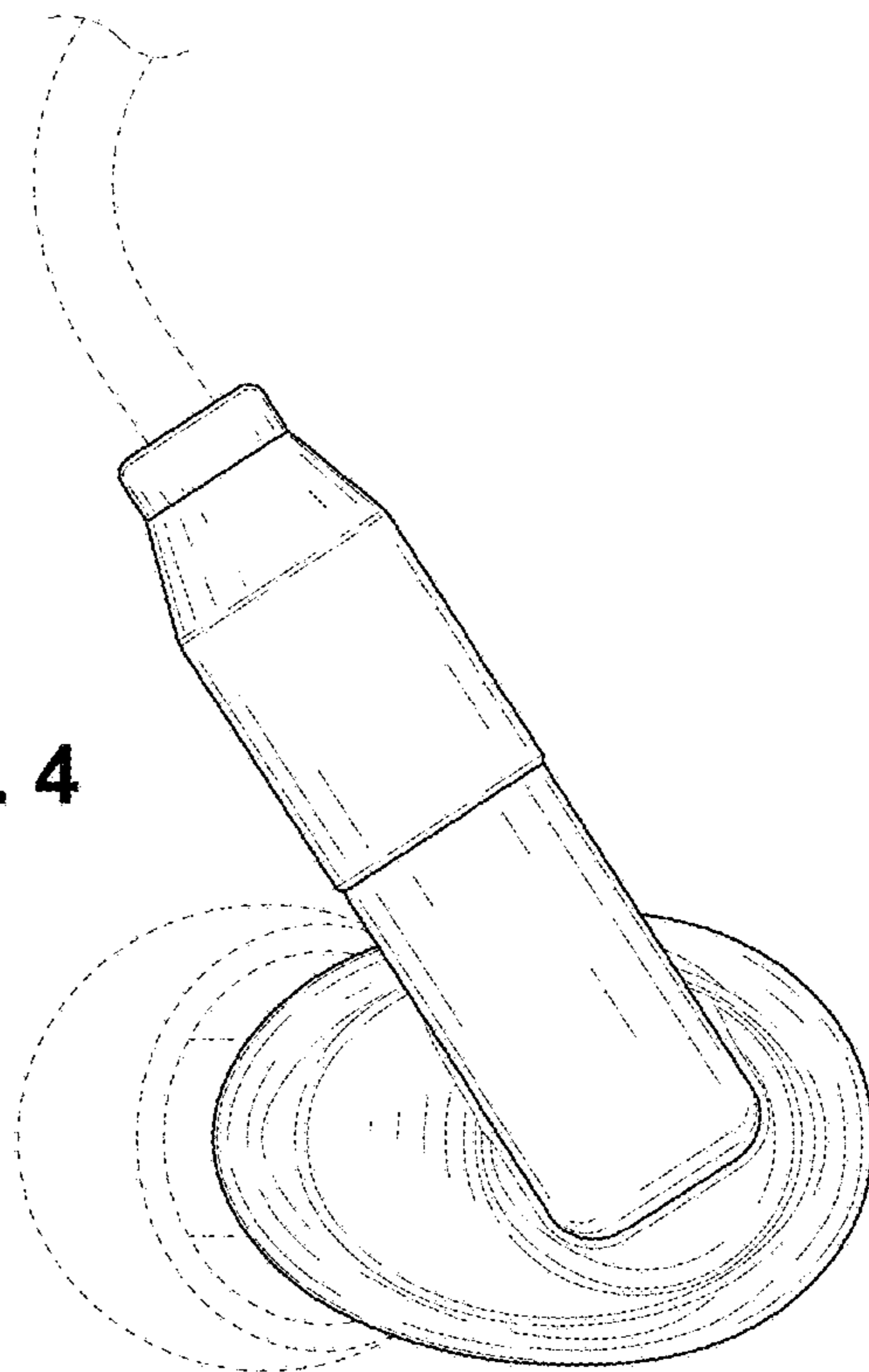


Fig. 3

Fig. 4



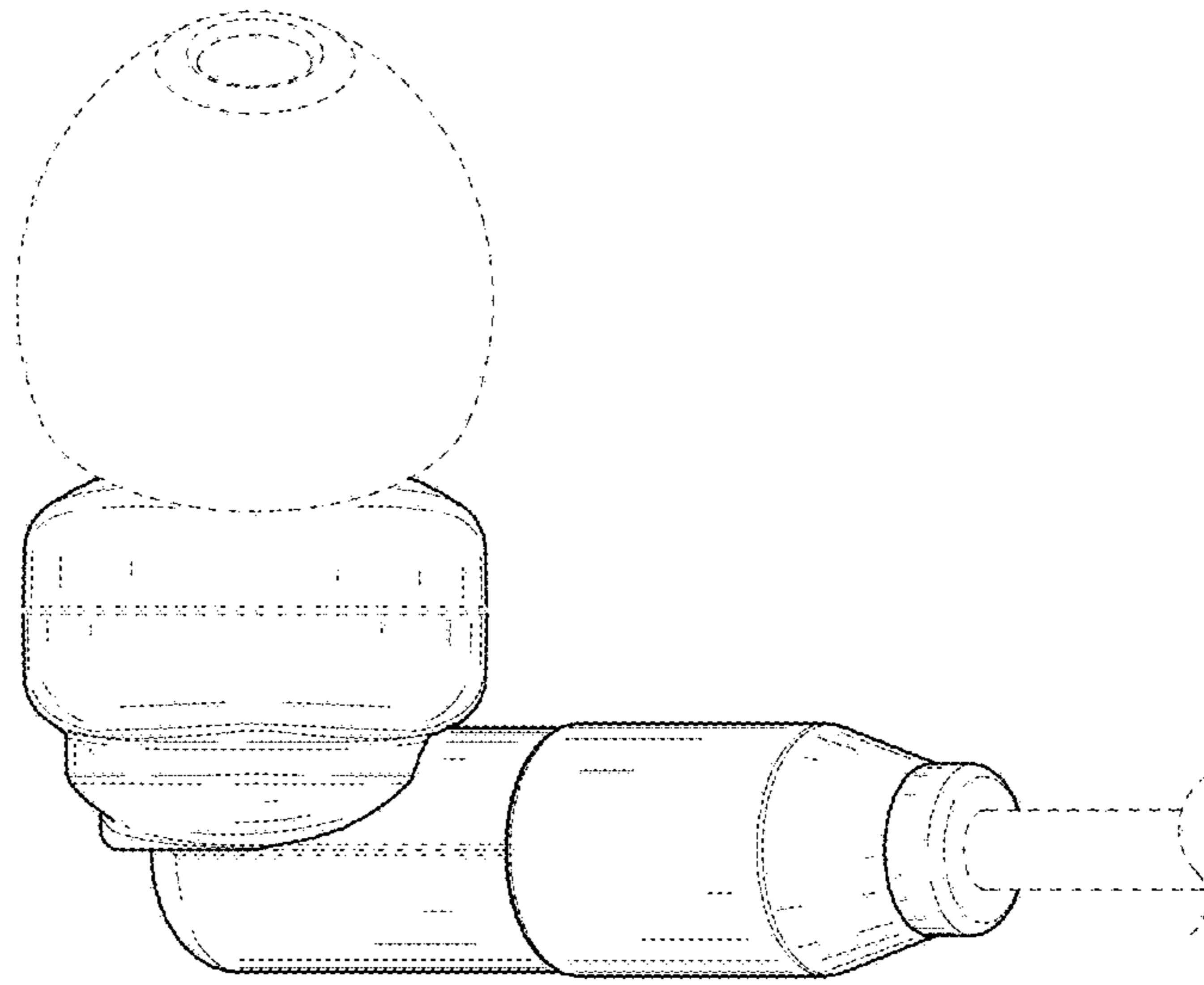


Fig. 5

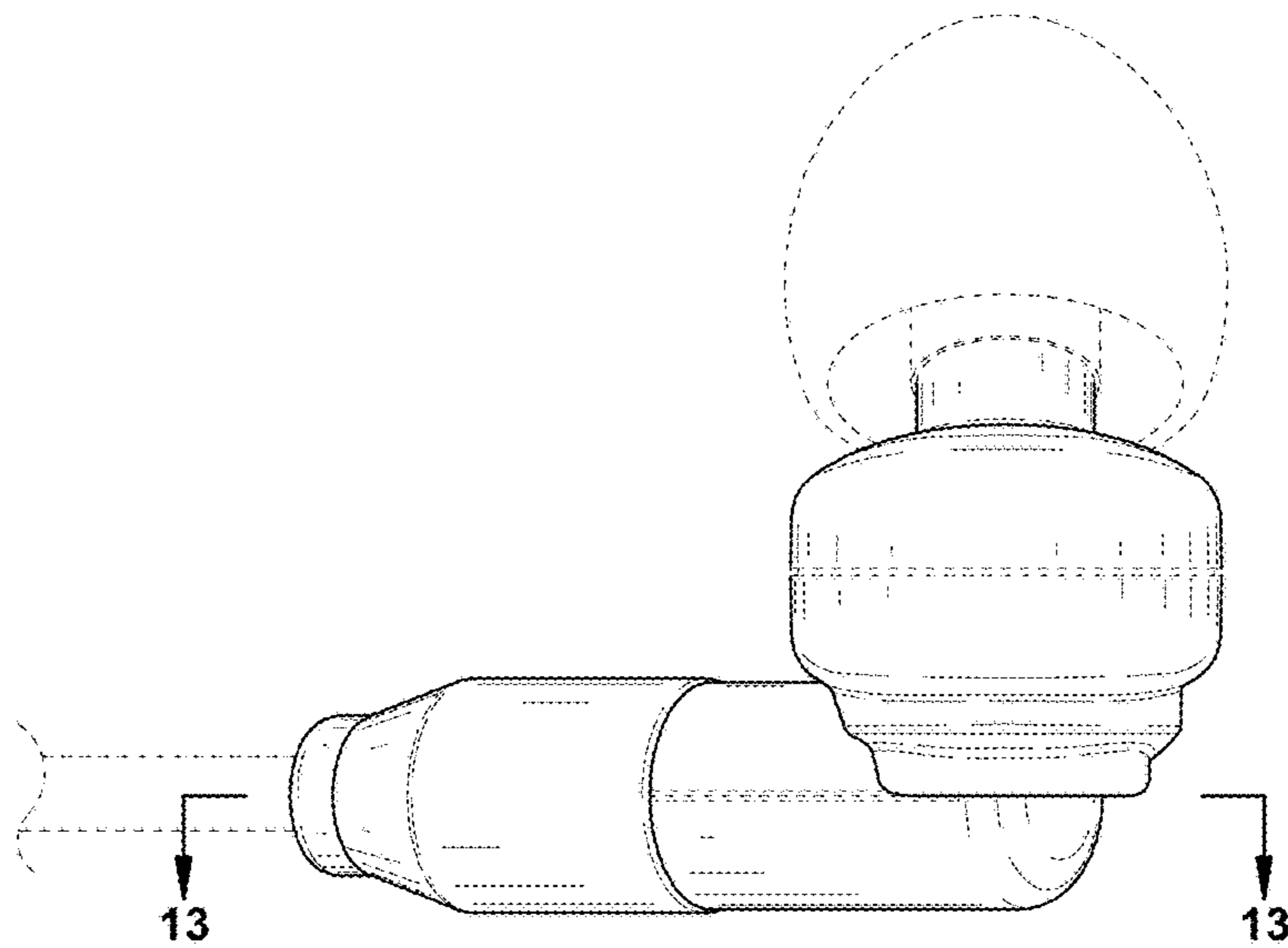
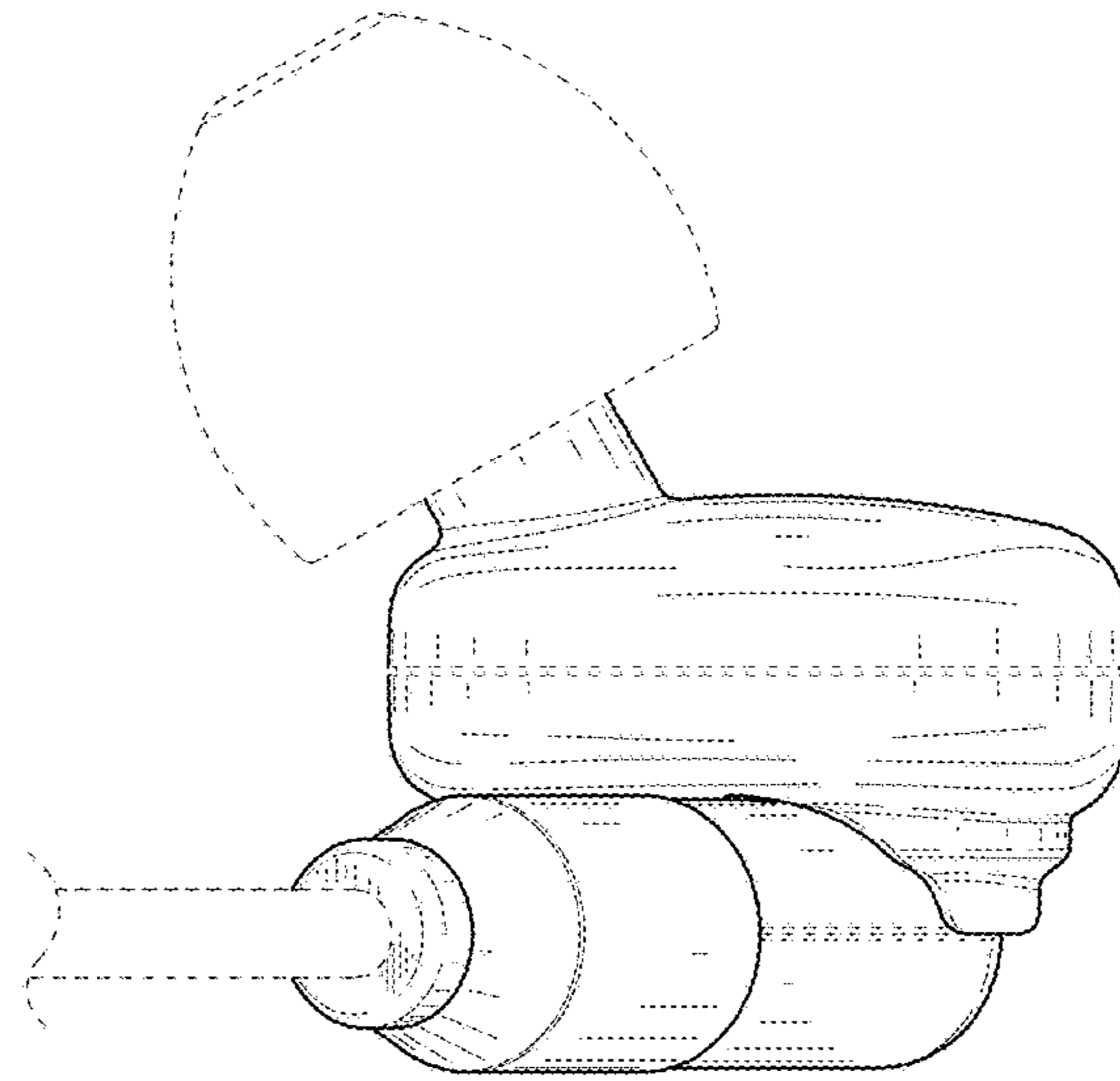
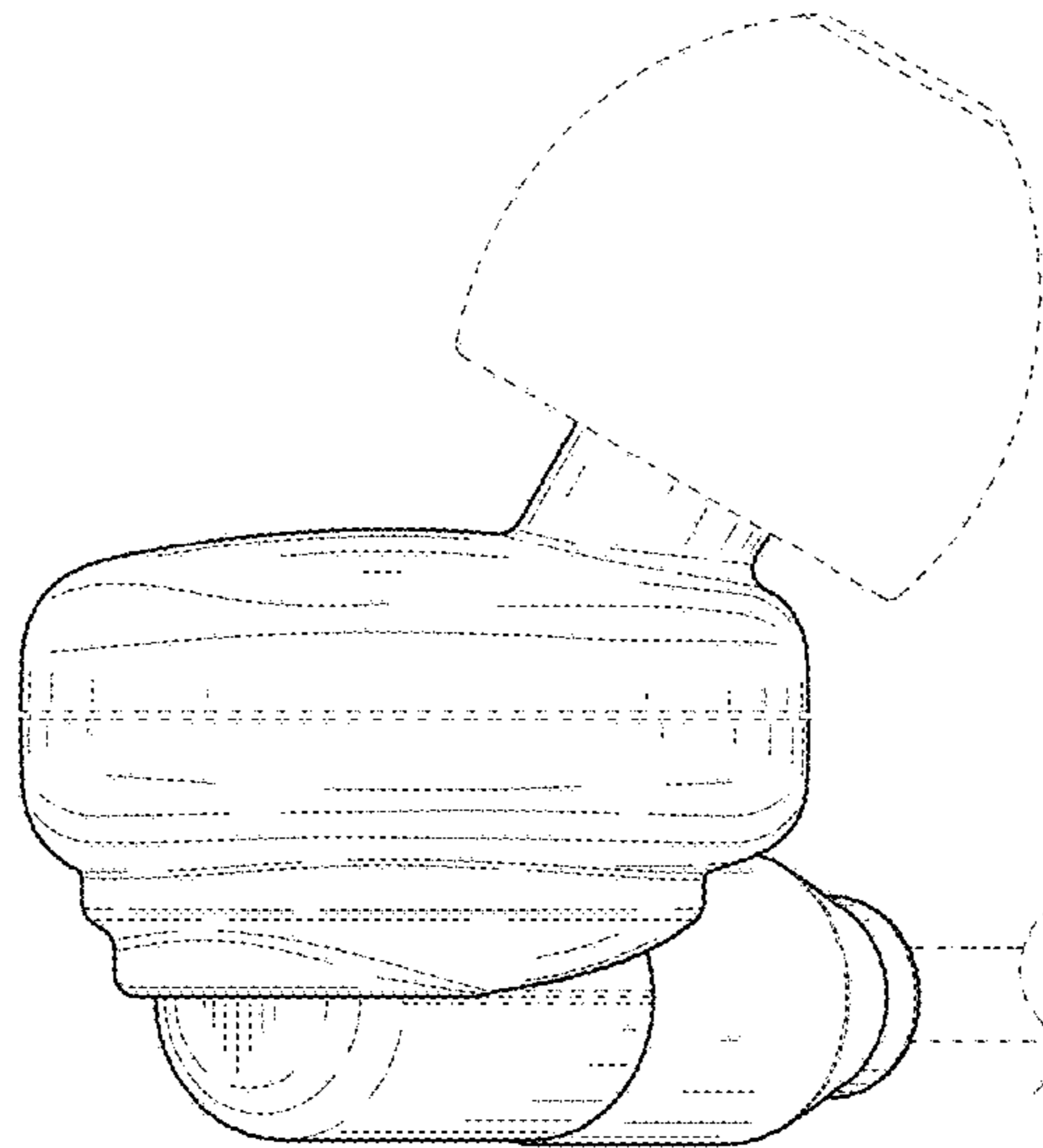


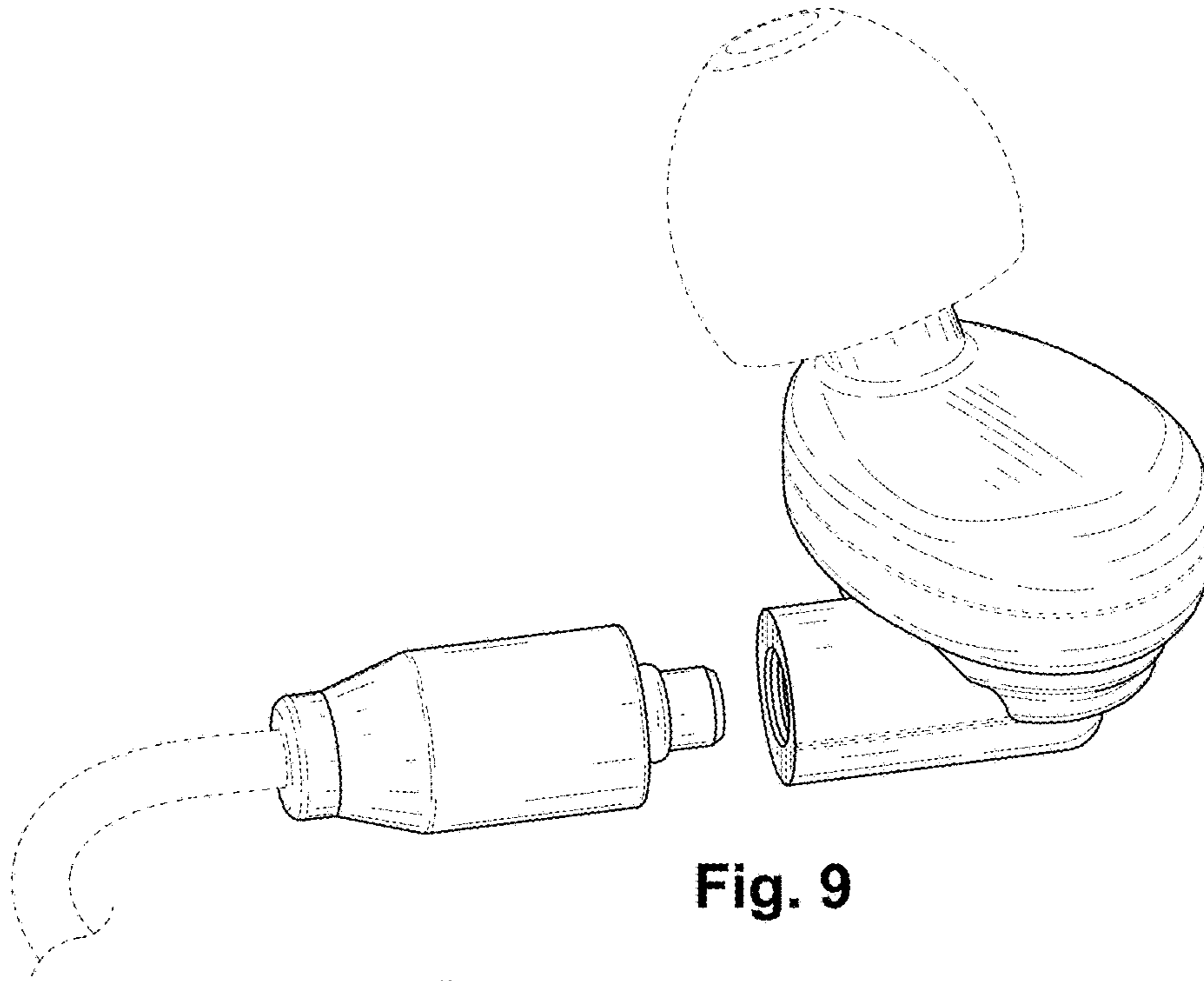
Fig. 6



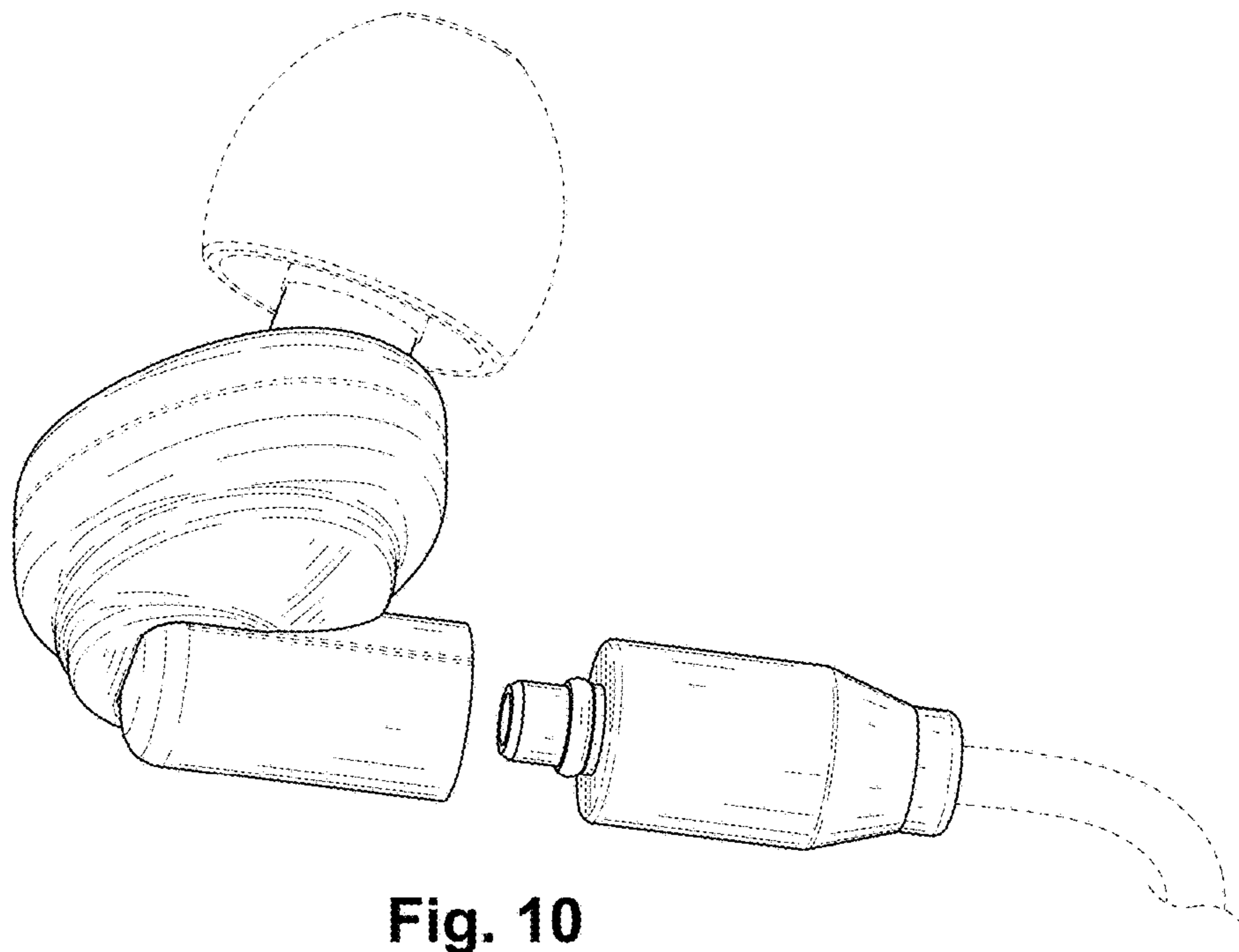
**Fig. 7**



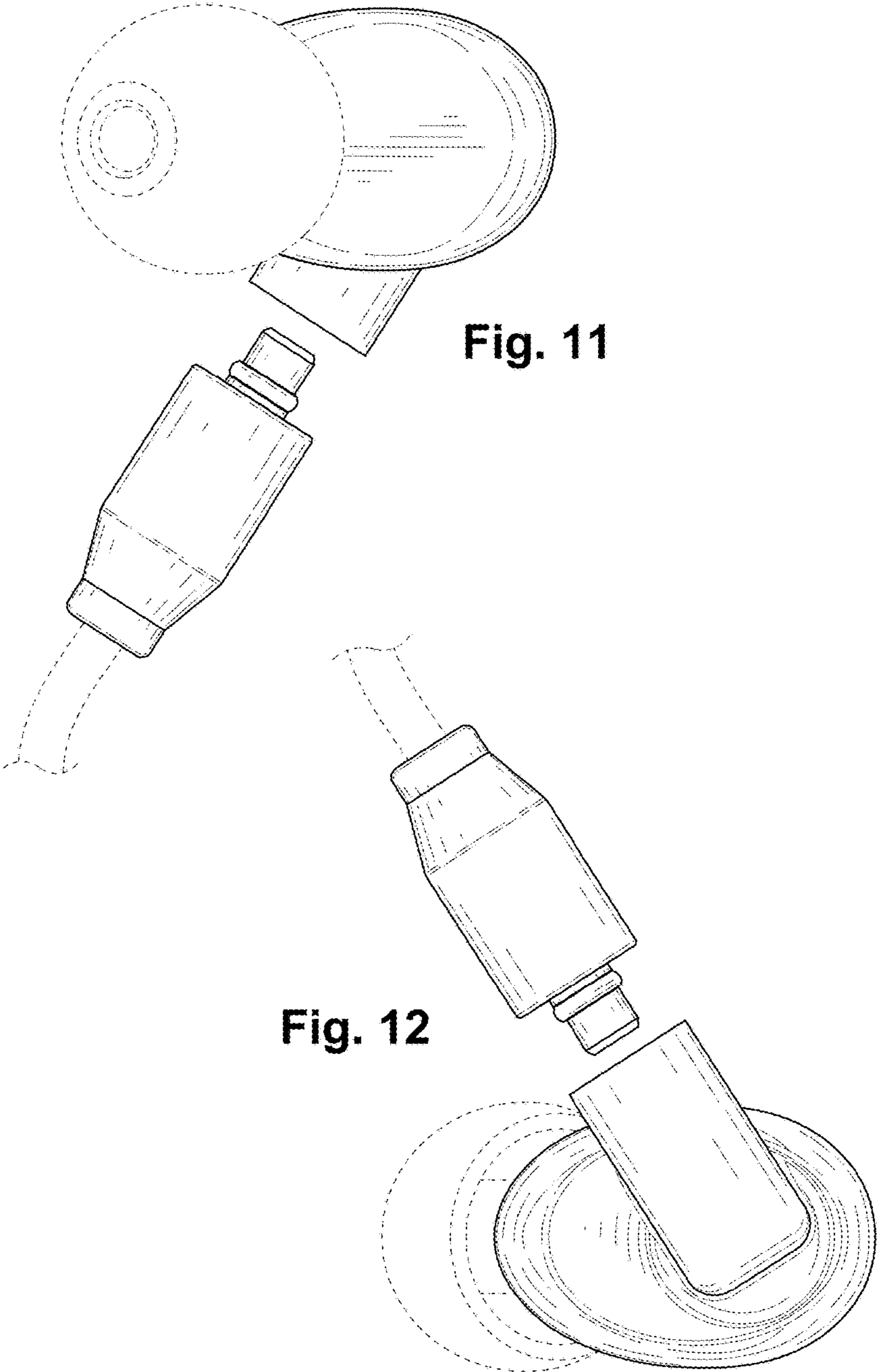
**Fig. 8**



**Fig. 9**



**Fig. 10**



**Fig. 11**

**Fig. 12**



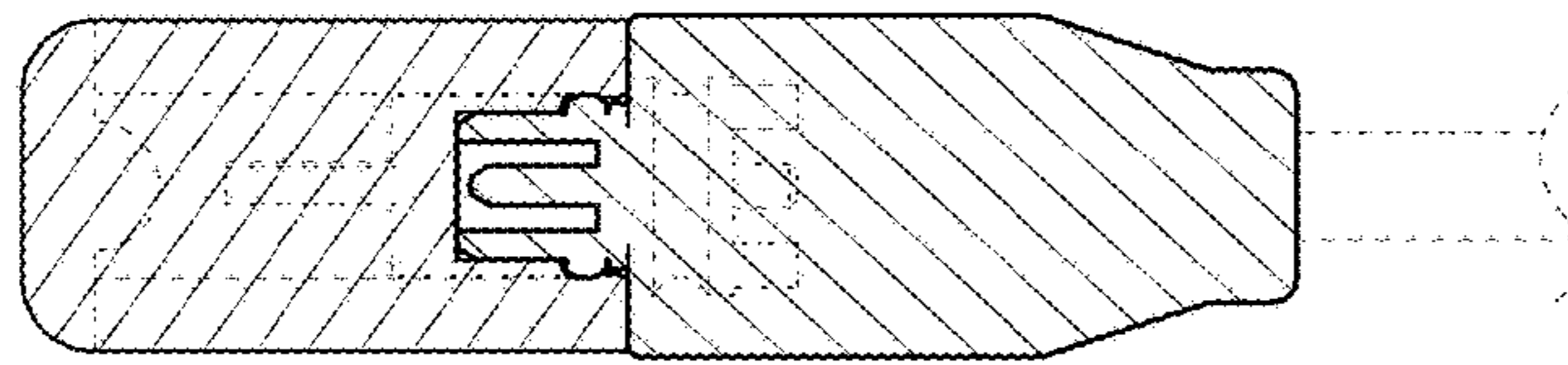


Fig. 13