



US00D861645S

(12) **United States Design Patent**
Sharma

(10) **Patent No.:** **US D861,645 S**
(45) **Date of Patent:** **** Oct. 1, 2019**

(54) **EARPHONE**

(71) Applicant: **AKOUSTYX LTD.**, Wanchai (HK)

(72) Inventor: **Ravi Devkrishna Sharma**, Wanchai (HK)

(73) Assignee: **AKOUSTYX LTD.**, Wanchai (HK)

(**) Term: **15 Years**

(21) Appl. No.: **29/638,012**

(22) Filed: **Feb. 23, 2018**

(51) **LOC (12) Cl.** **14-01**

(52) **U.S. Cl.**
USPC **D14/223**

(58) **Field of Classification Search**
USPC D14/205, 221, 223, 224, 224.1, 225;
D24/173, 174
CPC H04R 1/10; H04R 1/1016; H04R 1/1066;
H04R 1/1033; H04R 1/08; H04R 5/033;
H04R 5/0335; H04R 25/00
See application file for complete search history.

(56) **References Cited**

U.S. PATENT DOCUMENTS

D244,611 S *	6/1977	Gietzen	D13/133
4,646,872 A *	3/1987	Kamon	H04R 1/225
				181/129
D465,472 S *	11/2002	Bosch	D14/206
D550,200 S *	9/2007	Drambarean	D14/205
7,616,772 B2 *	11/2009	Sabick	H04R 1/1016
				381/370
D632,678 S *	2/2011	Brown	D14/223
D636,756 S *	4/2011	Fahrendorff	D14/205
7,991,179 B2 *	8/2011	Drambarean	H04R 1/1016
				381/325
D648,317 S *	11/2011	Katsuraku	D14/205
D659,673 S *	5/2012	Fahrendorff	D14/205
D662,495 S *	6/2012	Andre	D14/223
D682,809 S *	5/2013	Fletcher	D14/205
D685,481 S *	7/2013	Heaysman	D24/174

(Continued)

FOREIGN PATENT DOCUMENTS

CN 673551 A * 3/1990
JP 2018064258 A * 4/2018

OTHER PUBLICATIONS

Canjam at Rocky Mountain Audio Fest 2018, posted Nov. 5, 2018 [online] p. 10-11, retrieved Dec. 6, 2018, retrieved from internet, <<https://headphone.guru/canjam-at-rocky-mountain-audio-fest-2018-pt5/>>.*

Primary Examiner — Barbara Fox

Assistant Examiner — Messina L Smith

(74) *Attorney, Agent, or Firm* — Tarolli, Sundheim, Covell & Tummino LLP

(57) **CLAIM**

The ornamental design for an earphone, as shown and described.

DESCRIPTION

FIG. 1 is an upper perspective view of an earphone, showing the new design;

FIG. 2 is a lower perspective view thereof;

FIG. 3 is a front elevation view thereof;

FIG. 4 is a rear elevation view thereof;

FIG. 5 is a right side elevation view thereof;

FIG. 6 is a left side elevation thereof;

FIG. 7 is a bottom plan view thereof;

FIG. 8 is a top plan view thereof;

FIG. 9 is an upper perspective exploded view thereof;

FIG. 10 is a lower perspective exploded view thereof;

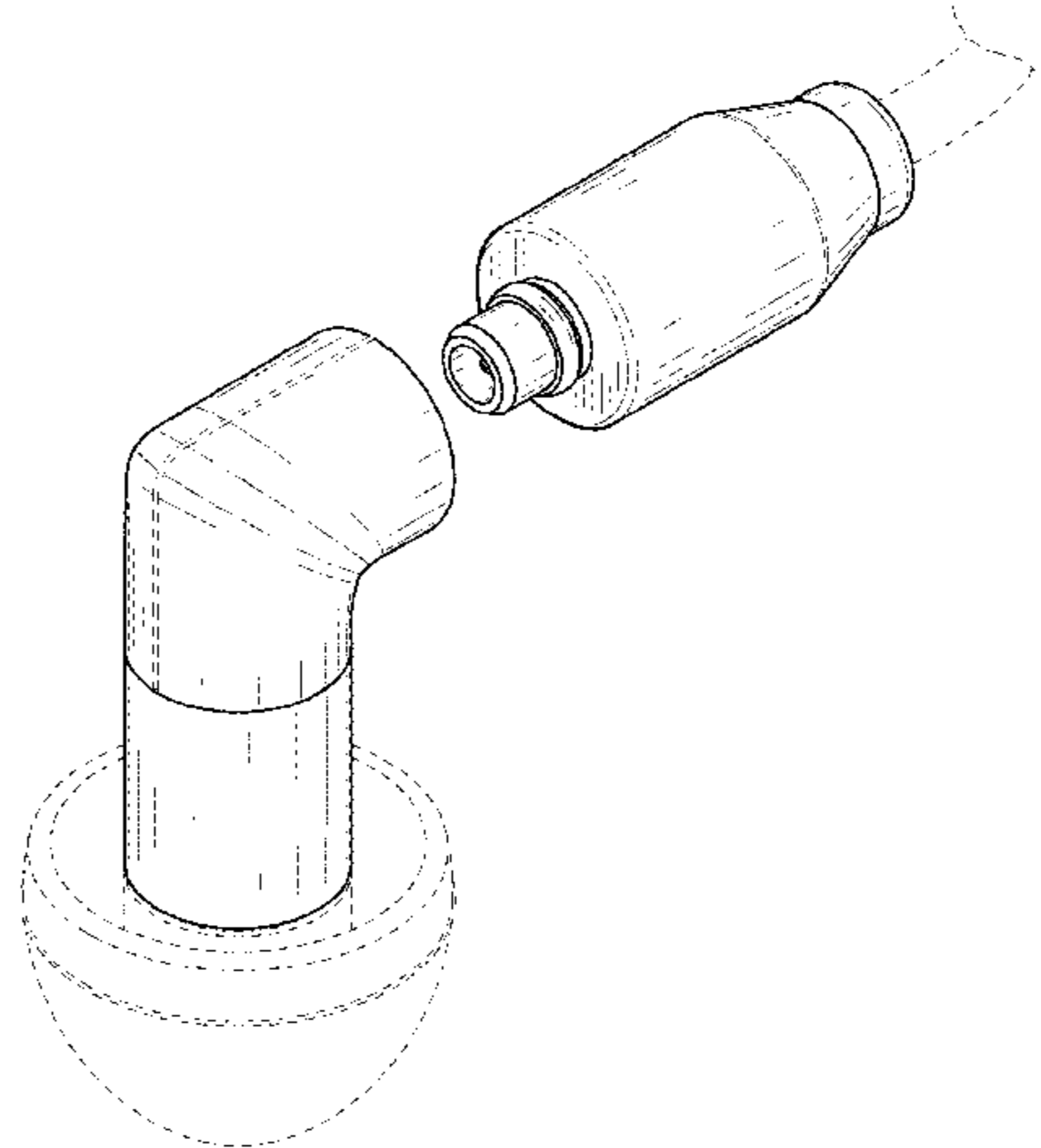
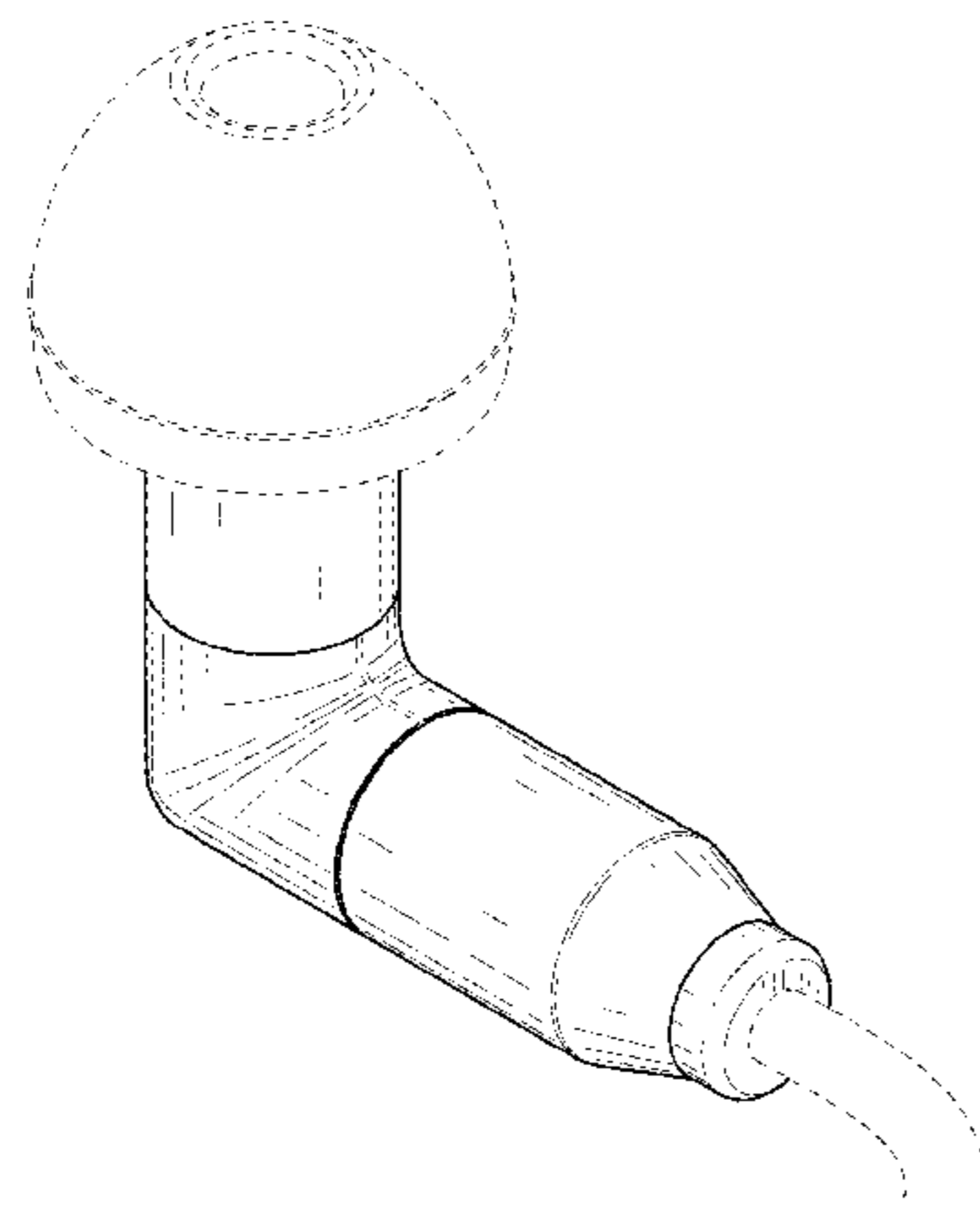
FIG. 11 is a rear elevation exploded view thereof;

FIG. 12 is a bottom plan exploded view thereof; and,

FIG. 13 is a section view taken in the direction of line 13-13 in FIG. 4.

The broken lines in the drawings depict portions of the earphone that form no part of the claimed design.

1 Claim, 6 Drawing Sheets



(56)

References Cited

U.S. PATENT DOCUMENTS

8,565,467 B1 * 10/2013 Tseng H04R 1/1016
181/129
D742,363 S * 11/2015 Andersson D14/223
9,491,533 B2 * 11/2016 Matsuo H04R 1/1016
D831,832 S * 10/2018 Rappaport D24/173
2003/0133585 A1 * 7/2003 Cheung H04R 1/1033
381/382
2005/0213775 A1 * 9/2005 Wong H04R 1/1091
381/77
2007/0098202 A1 * 5/2007 Viranyi H04R 1/1041
381/380
2007/0218962 A1 * 9/2007 Tsai H04M 1/05
455/575.2
2010/0330829 A1 * 12/2010 Yang H01R 13/052
439/166
2013/0148839 A1 * 6/2013 Stevinson H04R 1/1033
381/384
2014/0376763 A1 * 12/2014 Stevinson A45C 11/00
381/370
2015/0382093 A1 * 12/2015 Jones H04R 1/1016
381/380
2016/0234586 A1 * 8/2016 Sugata H04R 11/02

* cited by examiner

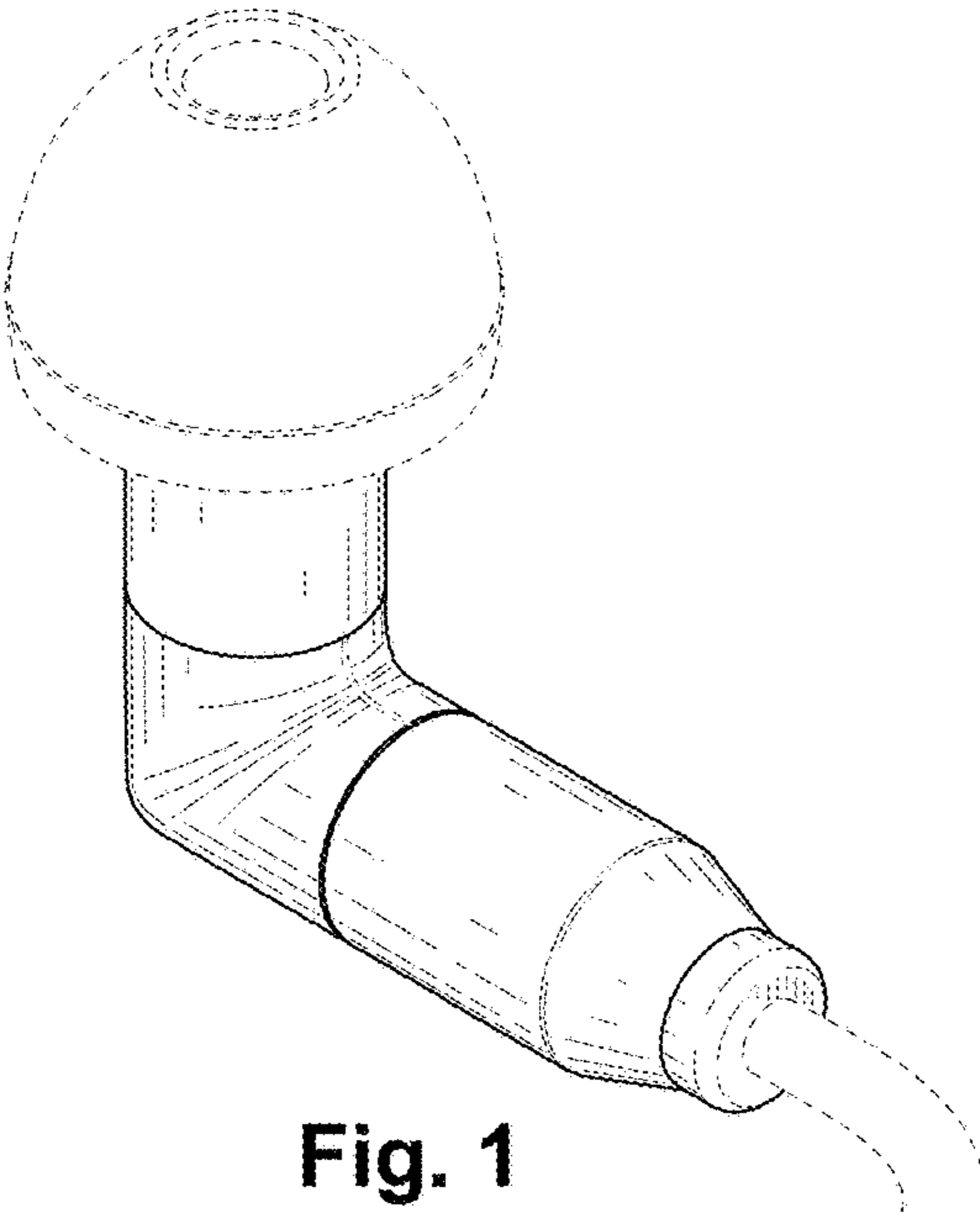


Fig. 1

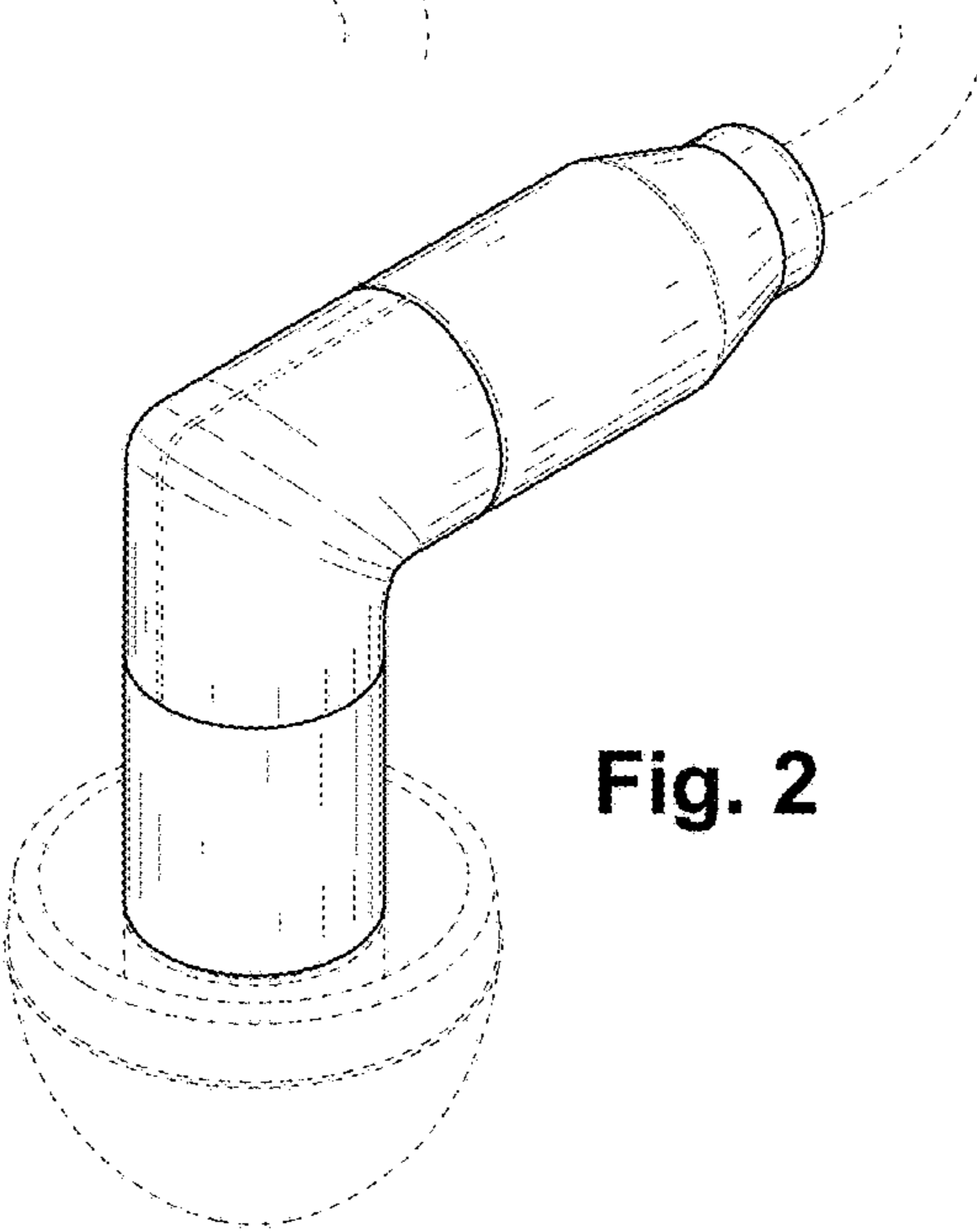


Fig. 2

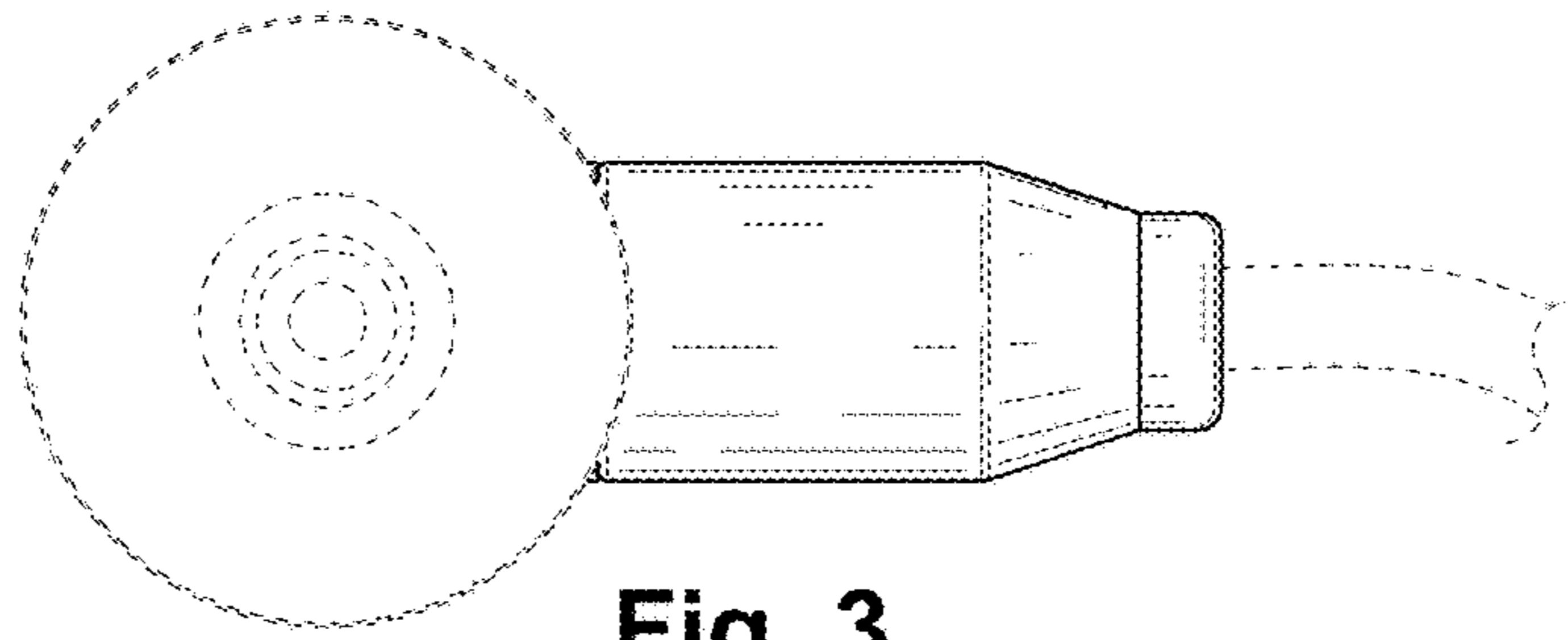


Fig. 3

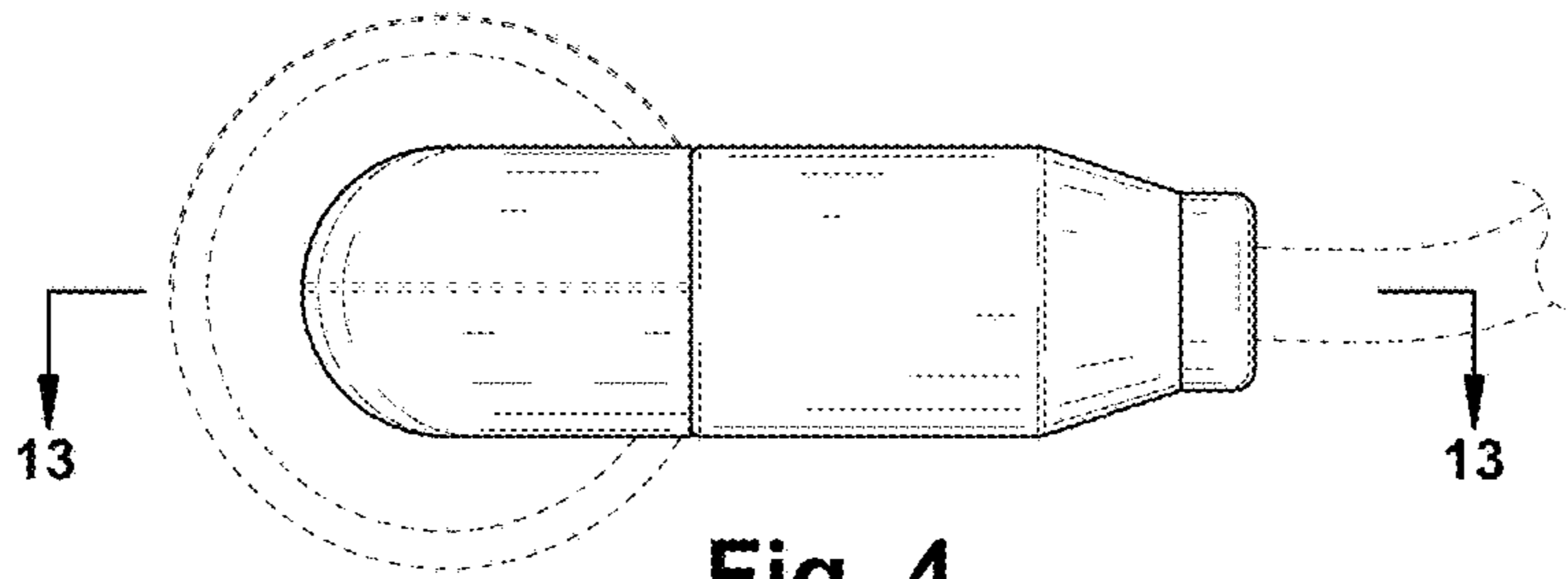


Fig. 4

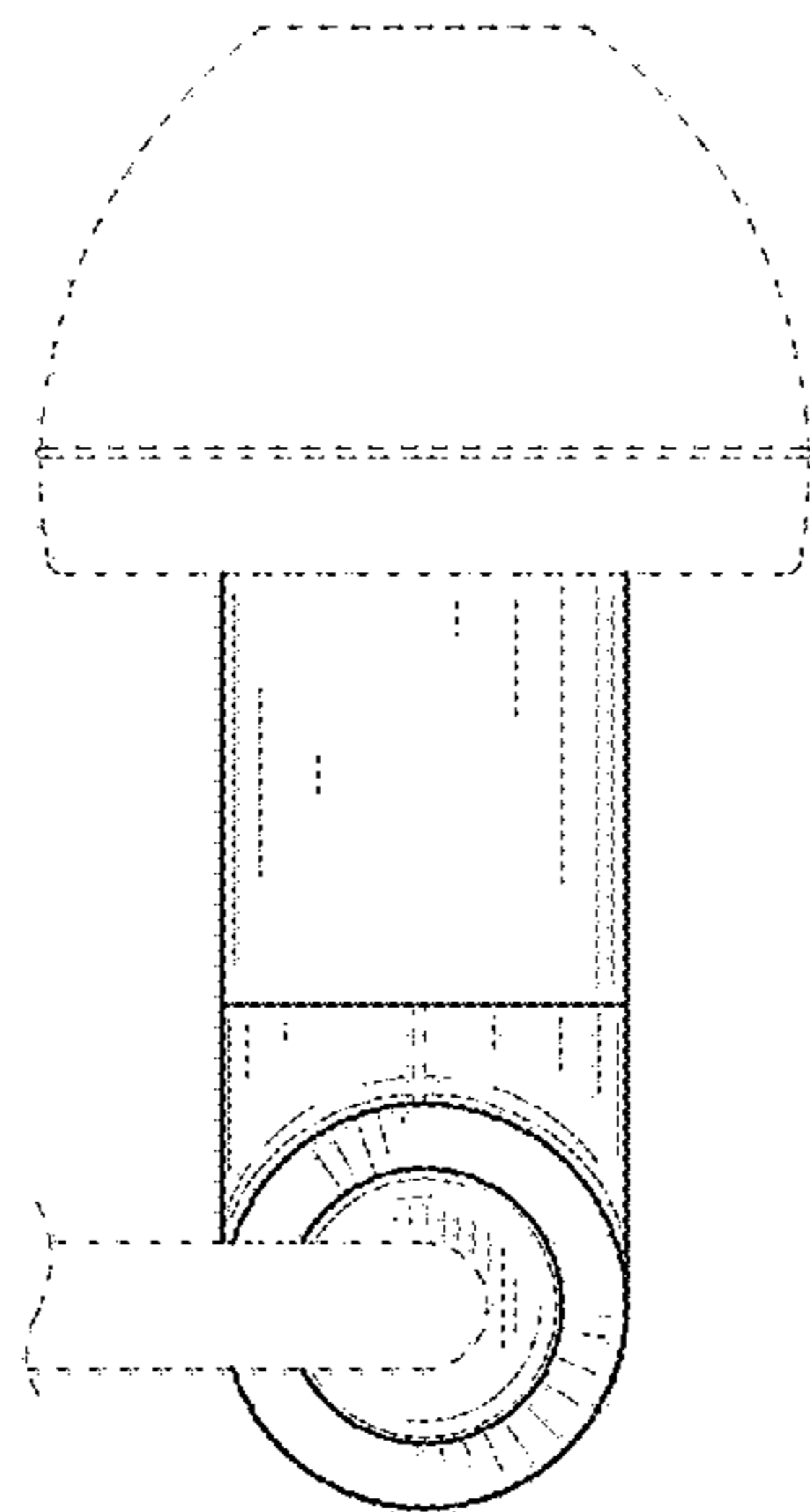


Fig. 5

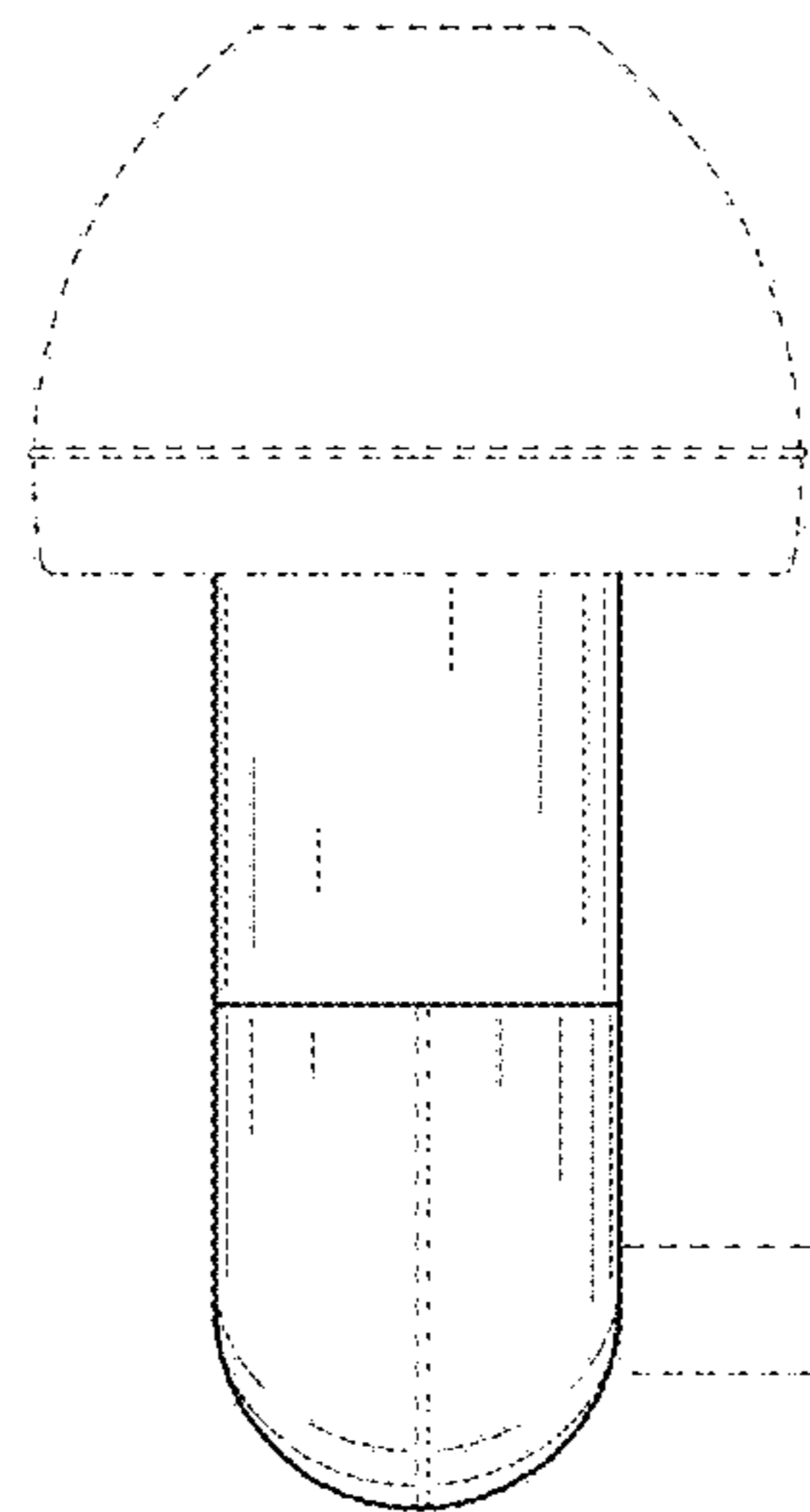


Fig. 6

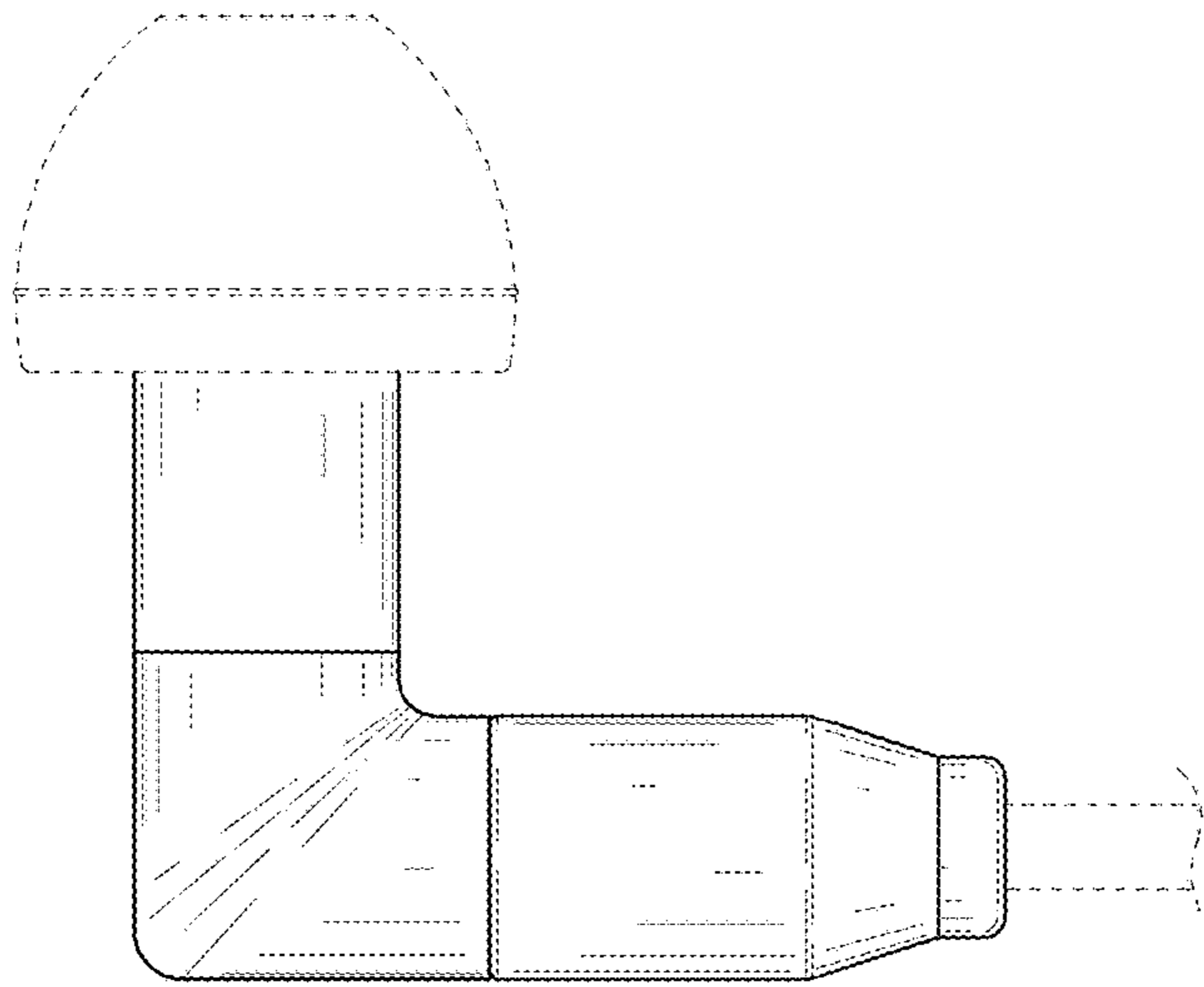


Fig. 7

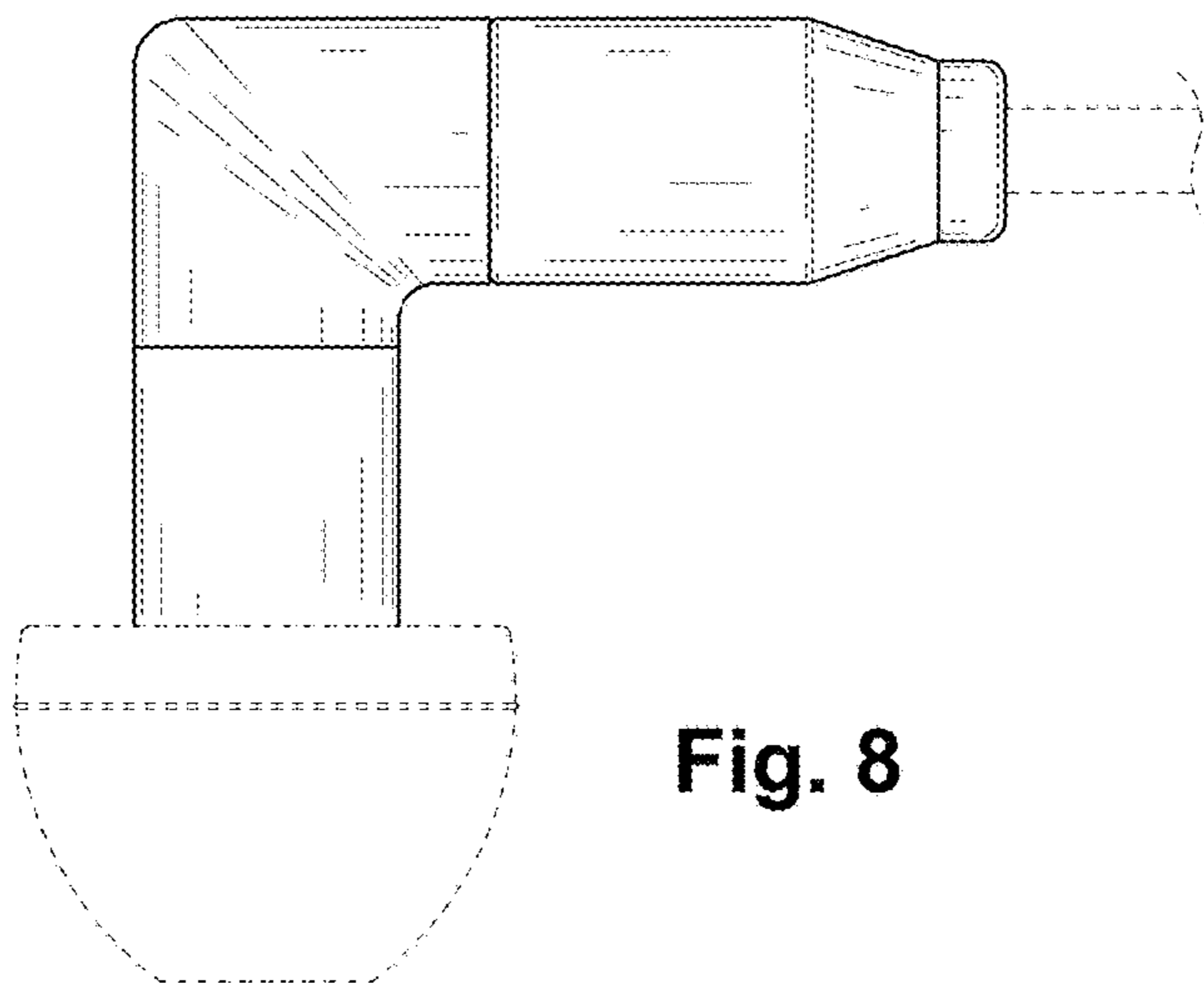
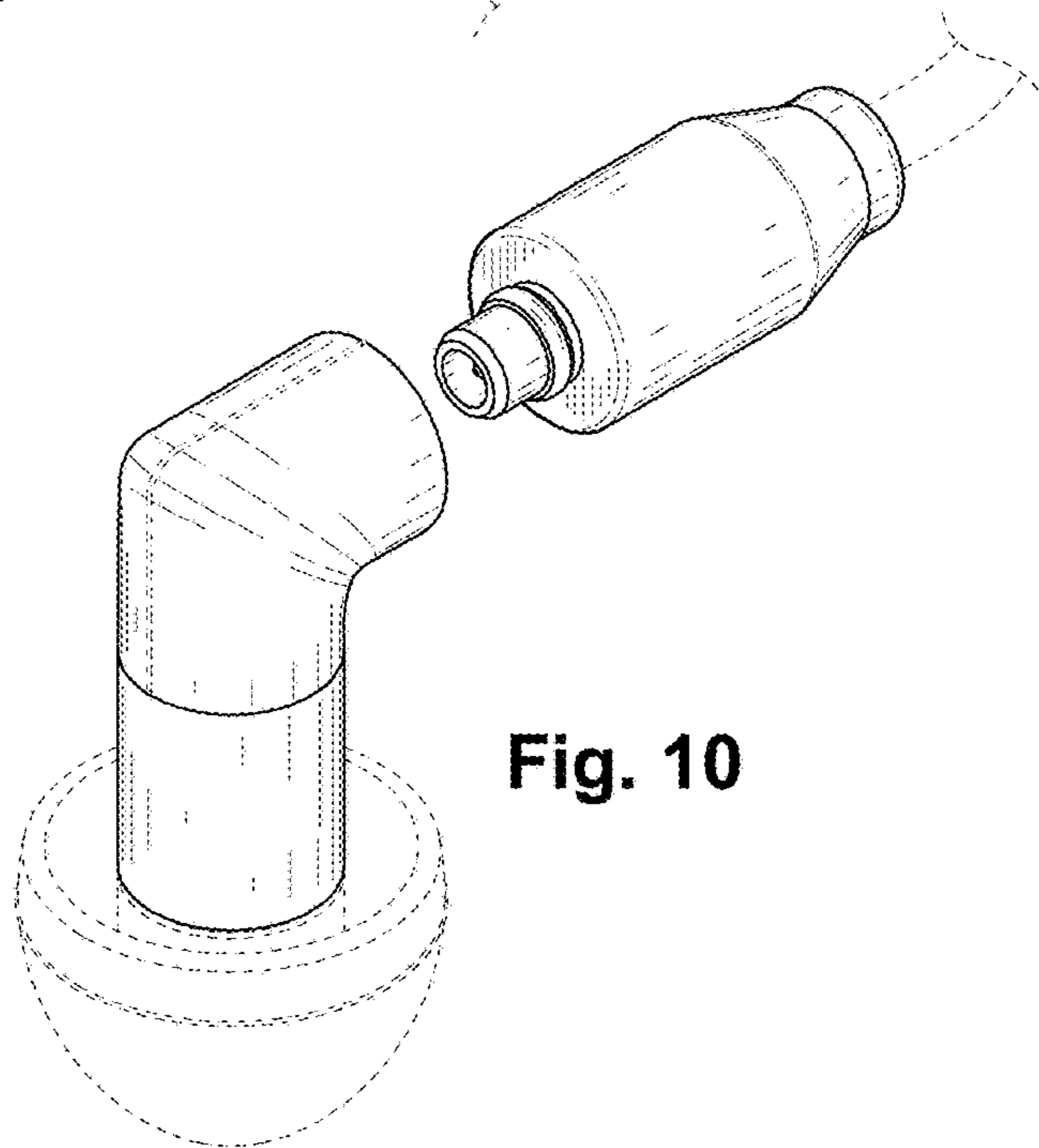
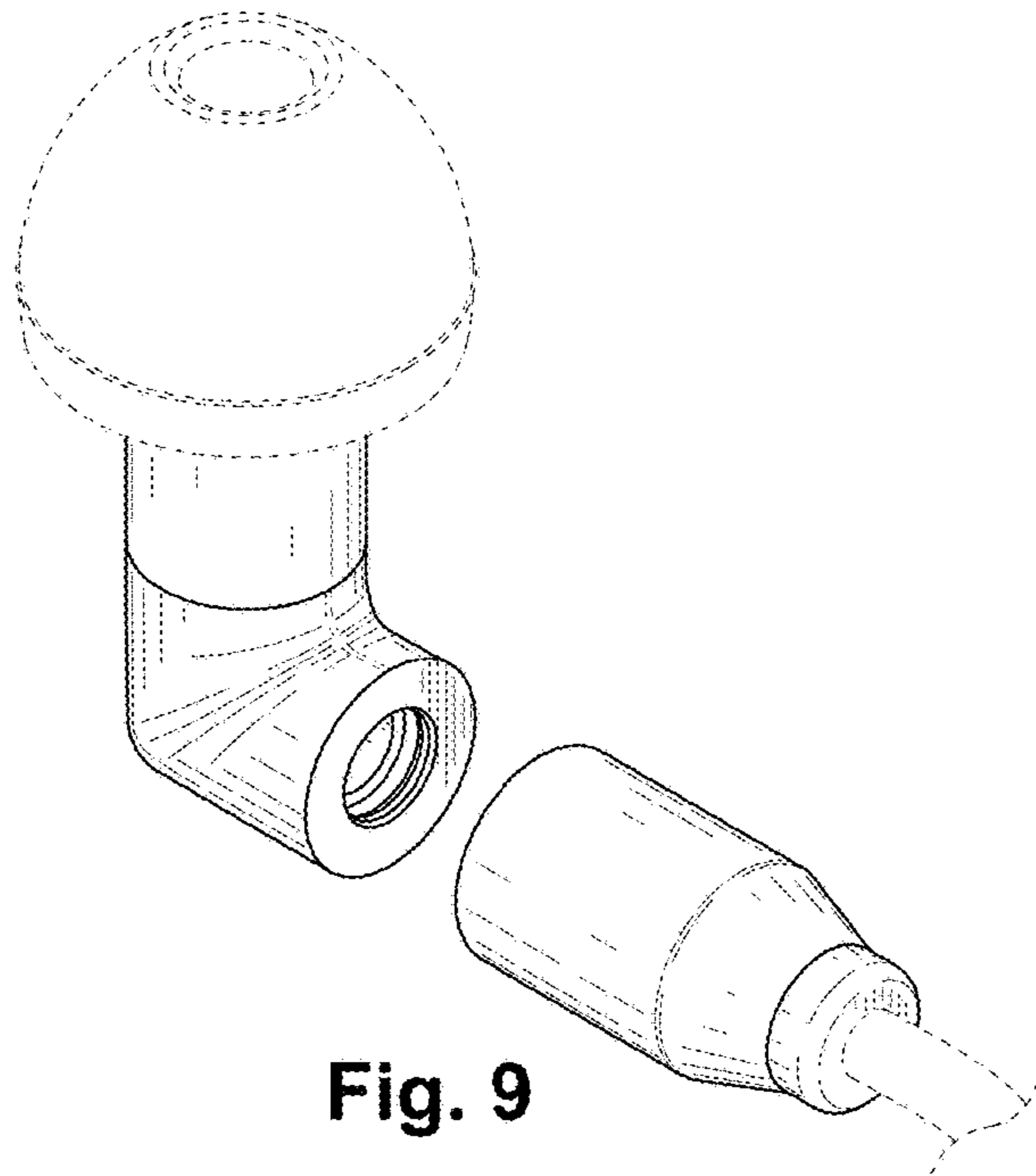


Fig. 8



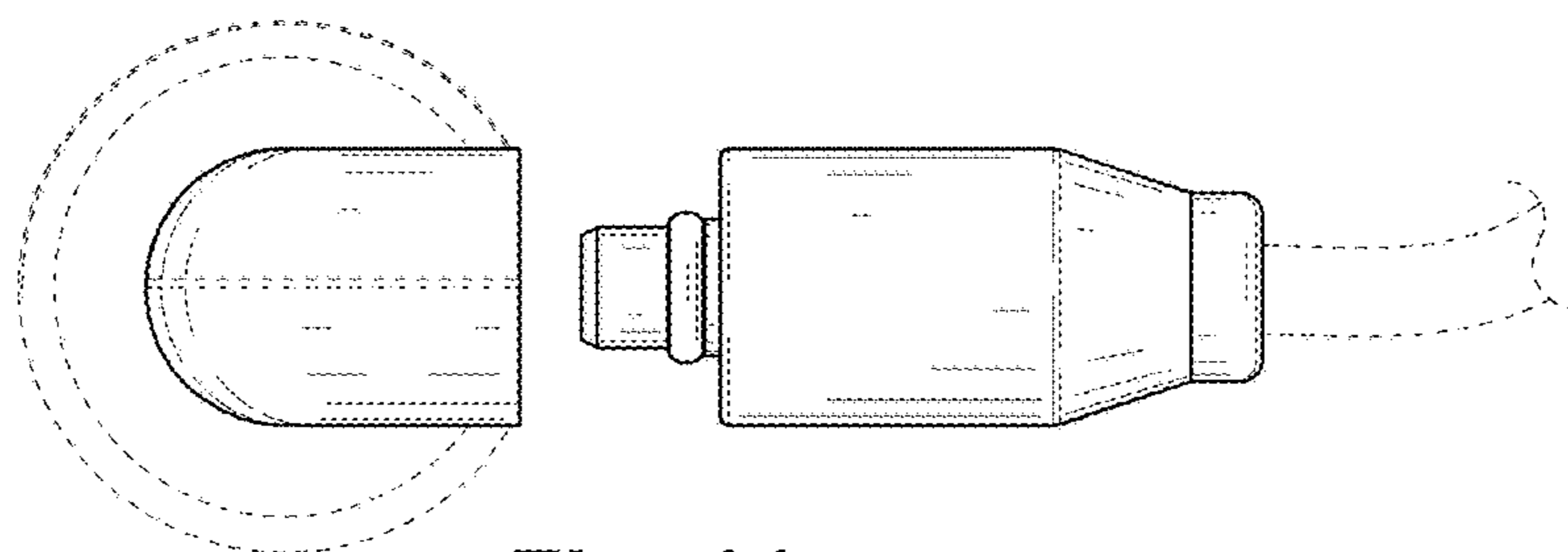


Fig. 11

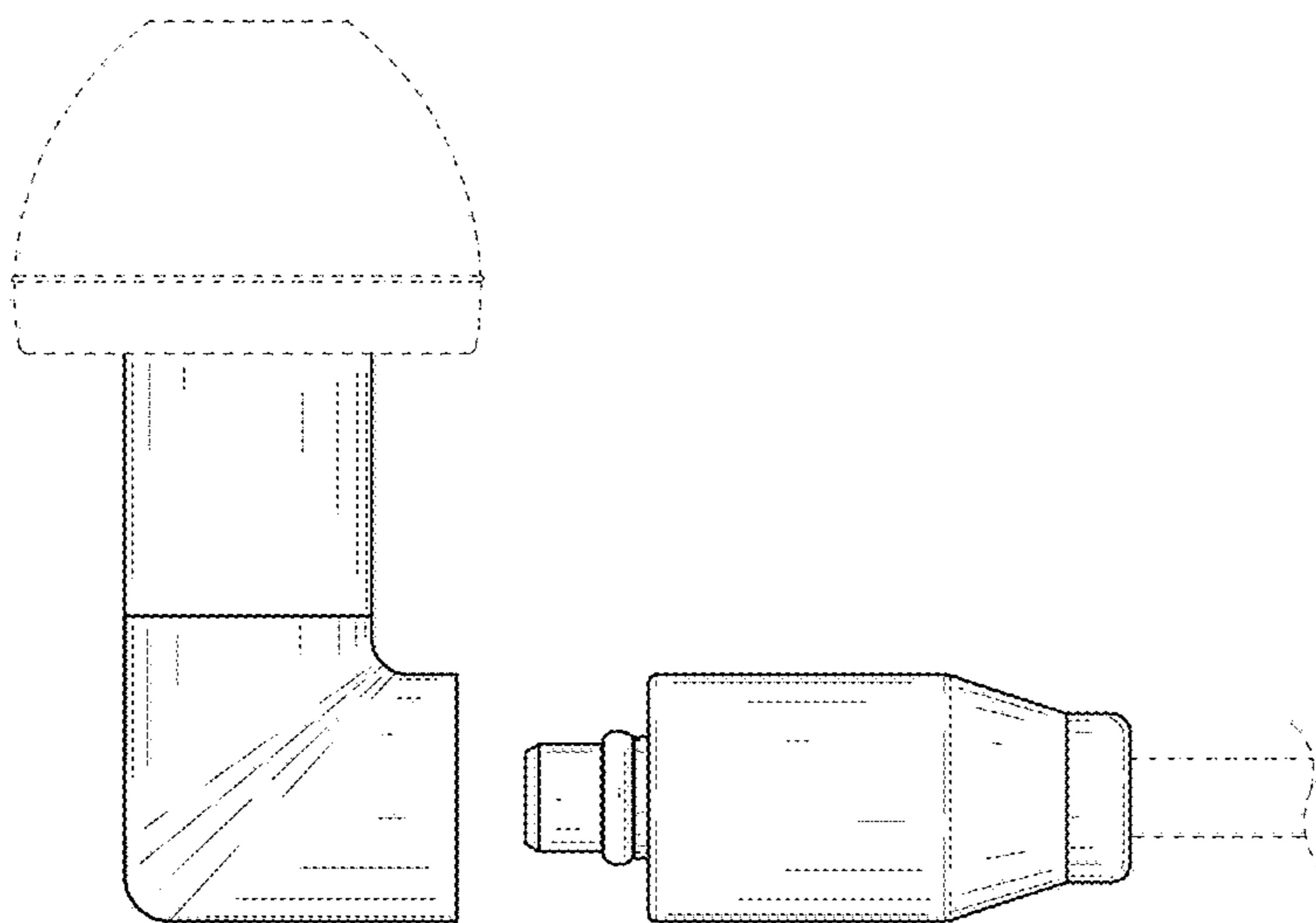


Fig. 12

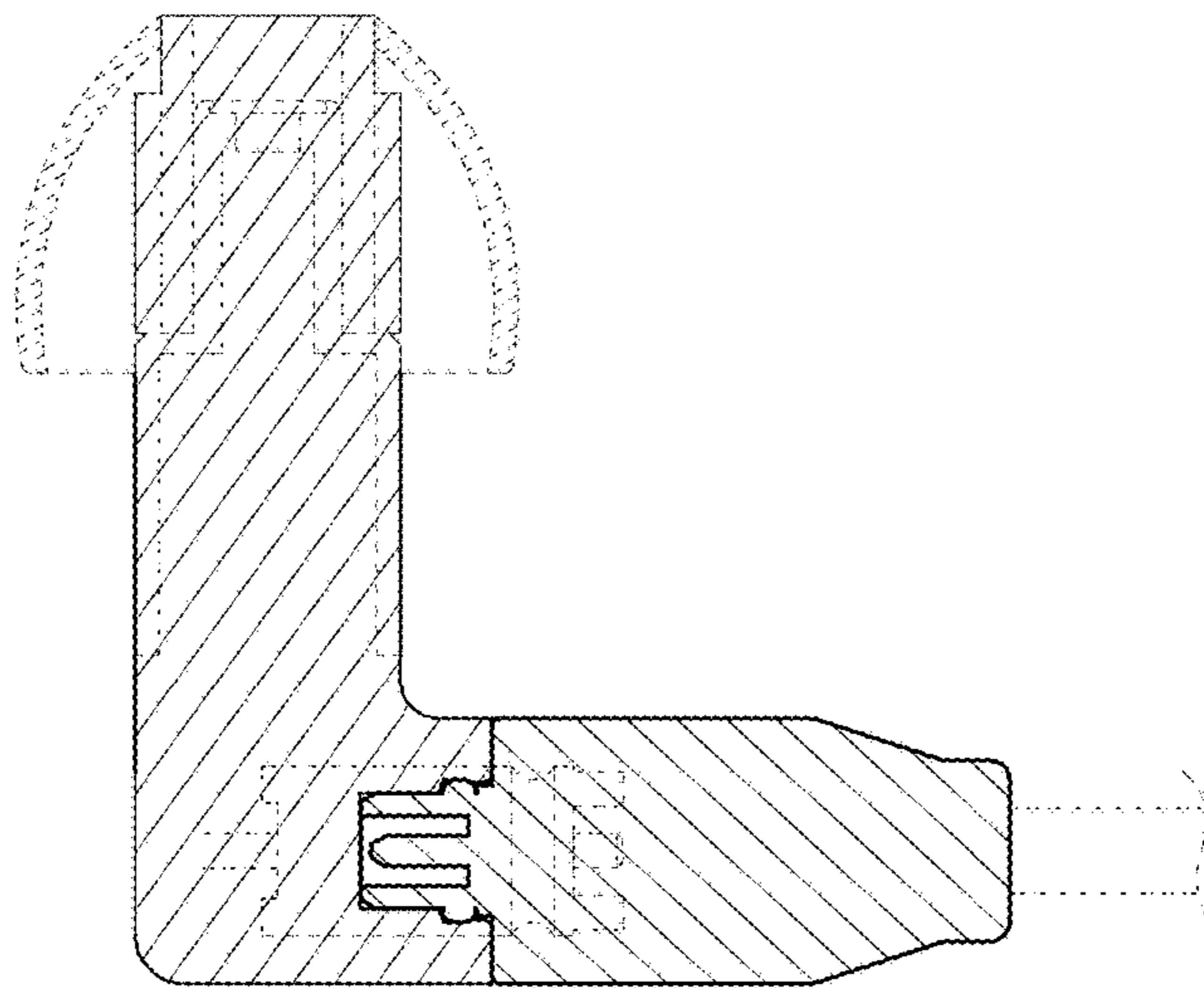


Fig. 13