



US00D861643S

(12) **United States Design Patent** (10) **Patent No.:** **US D861,643 S**
Proni et al. (45) **Date of Patent:** **** Oct. 1, 2019**

(54) **LOUDSPEAKER ENCLOSURE**
(71) Applicants: **Lucio Proni**, Weston, FL (US); **Weihua Ge**, Plantation, FL (US); **Bellal J Hamze**, Margate, FL (US); **Dwayne Spanbroek**, Boca Raton, FL (US)
(72) Inventors: **Lucio Proni**, Weston, FL (US); **Weihua Ge**, Plantation, FL (US); **Bellal J Hamze**, Margate, FL (US); **Dwayne Spanbroek**, Boca Raton, FL (US)

D464,637 S * 10/2002 Ng D14/168
D467,570 S * 12/2002 Kulkarni D14/168
D475,360 S * 6/2003 Yoneda D14/168
D482,015 S * 11/2003 Ng D14/168
D500,021 S * 12/2004 Hu D14/168
D500,487 S * 1/2005 Concari D14/188
D504,415 S * 4/2005 Lum D14/168
D505,409 S * 5/2005 Hirano D14/168
D506,459 S * 6/2005 Obata D14/168
D512,044 S * 11/2005 Esslinger D14/168

(Continued)

(73) Assignee: **JL Audio, Inc.**, Miramar, FL (US)
(**) Term: **15 Years**

(21) Appl. No.: **29/645,349**

(22) Filed: **Apr. 25, 2018**

(51) **LOC (12) Cl.** **14-01**

(52) **U.S. Cl.**
USPC **D14/215**; D14/210

(58) **Field of Classification Search**
USPC D14/167, 168, 170-172, 188, 194-196,
D14/203.1, 204, 207, 208, 209.1,
D14/210-216, 219-222, 224, 496;
181/143, 144, 145, 148, 150-153, 157,
181/198, 199; 381/300-303, 306, 332,
381/333, 336, 345, 361-364, 386-388;
369/6-12

CPC A47B 81/06; H04R 1/02; H04R 1/021;
H04R 19/013; H04R 2420/07

See application file for complete search history.

(56) **References Cited**

U.S. PATENT DOCUMENTS

D264,336 S * 5/1982 Nicholson D14/214
D329,856 S * 9/1992 Tamaki D14/501
D358,593 S * 5/1995 Oba D14/168
D410,649 S * 6/1999 Kobayashi D14/163
D442,160 S * 5/2001 Tsuchiya D14/168
D451,487 S * 12/2001 Ng D14/168

OTHER PUBLICATIONS

Supersonic SC-709 Radio/CD Player/Cassette Recorder Boombox—1 X, Rakuten.com, [online], [site visited Jun. 5, 2019]. URL: <https://www.rakuten.com/shop/electronic-palace/product/SuperSC-709S31C07093/> (Year: 2019).*

(Continued)

Primary Examiner — T Chase Nelson

Assistant Examiner — Jonathan J. Han

(74) *Attorney, Agent, or Firm* — GrayRobinson, P.A.;
Thomas L. Kautz

(57) **CLAIM**

The ornamental design for a loudspeaker enclosure, as shown and described.

DESCRIPTION

FIG. 1 is a front perspective view of our ornamental design for a loudspeaker enclosure;

FIG. 2 is a front elevational view thereof;

FIG. 3 is a rear elevational view thereof;

FIG. 4 is a left elevational view thereof;

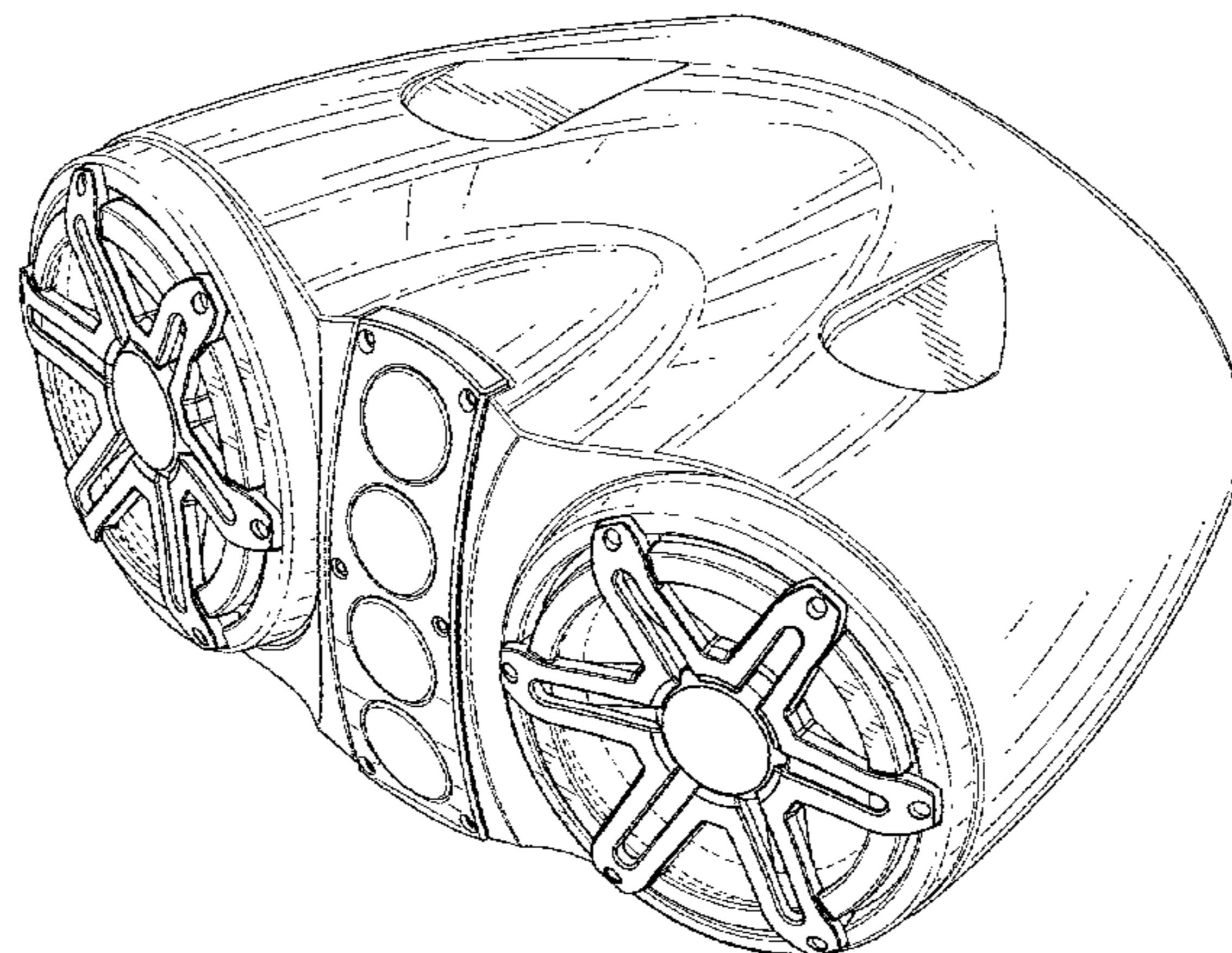
FIG. 5 is a right elevational view thereof;

FIG. 6 is a top plan view thereof; and,

FIG. 7 is a bottom plan view thereof.

The broken lines in the drawings represent unclaimed environment and form no part of the claimed invention.

1 Claim, 7 Drawing Sheets



(56)

References Cited

U.S. PATENT DOCUMENTS

D512,978 S *	12/2005	Ueda	D14/168
D513,745 S *	1/2006	Allen	D14/211
D534,520 S *	1/2007	Caspi	D12/501
D534,521 S *	1/2007	Caspi	D12/501
D534,522 S *	1/2007	Zeitman	D14/168
D587,245 S *	2/2009	Morra	D14/215
D587,686 S *	3/2009	Lee	D14/168
D625,288 S *	10/2010	Ueda	D14/168
D633,077 S *	2/2011	Miller	D14/168
D651,193 S *	12/2011	Chang	D14/209.1
D704,678 S *	5/2014	Katsumata	D14/203.1
D723,003 S *	2/2015	Yoo	D14/215
D728,519 S *	5/2015	Bongkun	D14/216
D729,202 S *	5/2015	Shin	D14/215
D729,203 S *	5/2015	Bongkun	D14/215
D729,206 S *	5/2015	Ann	D14/216
D755,157 S *	5/2016	Redmon	D14/204
2014/0119575 A1 *	5/2014	Conrad	H04R 1/00 381/150

OTHER PUBLICATIONS

Koramzi CD705CBK Portable CD/MP3/USB Radio Cassette Recorder (Black)—New, NewEgg.com, [online], [site visited Jun. 5, 2019]. URL: <https://www.newegg.com/p/16W-006B-00001> (Year: 2019).*

Lava Boombox XL, LavaAccessories.co.uk, [online], [site visited Jun. 5, 2019]. URL: <https://www.lavaaccessories.co.uk/sound/lava-boombox-xl.html> (Year: 2019).*

LSiM706c, PolkAudio.com, [online], [site visited Jun. 5, 2019]. URL: <https://www.polkaudio.com/products/lsim706c> (Year: 2019).*

* cited by examiner

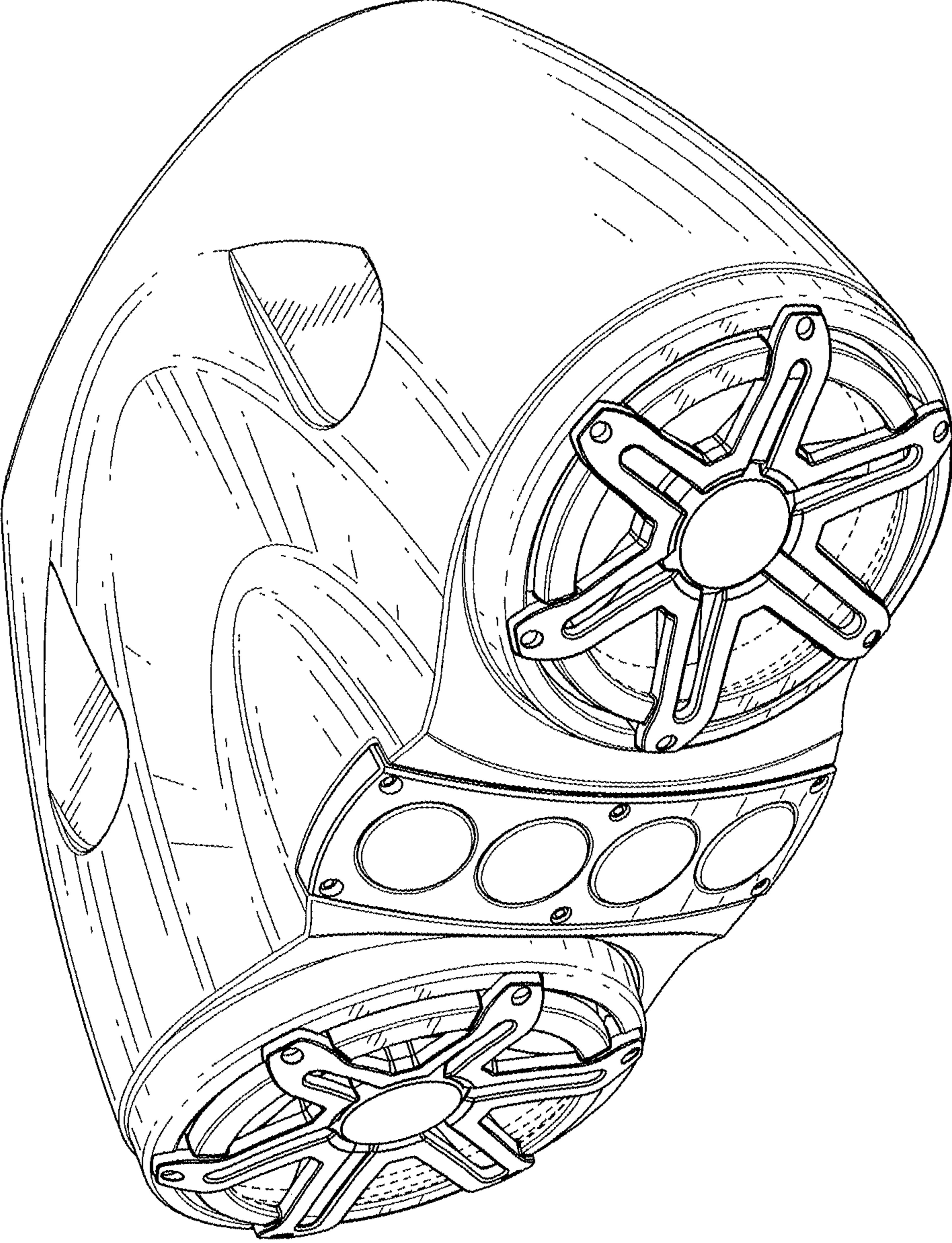


FIG.1

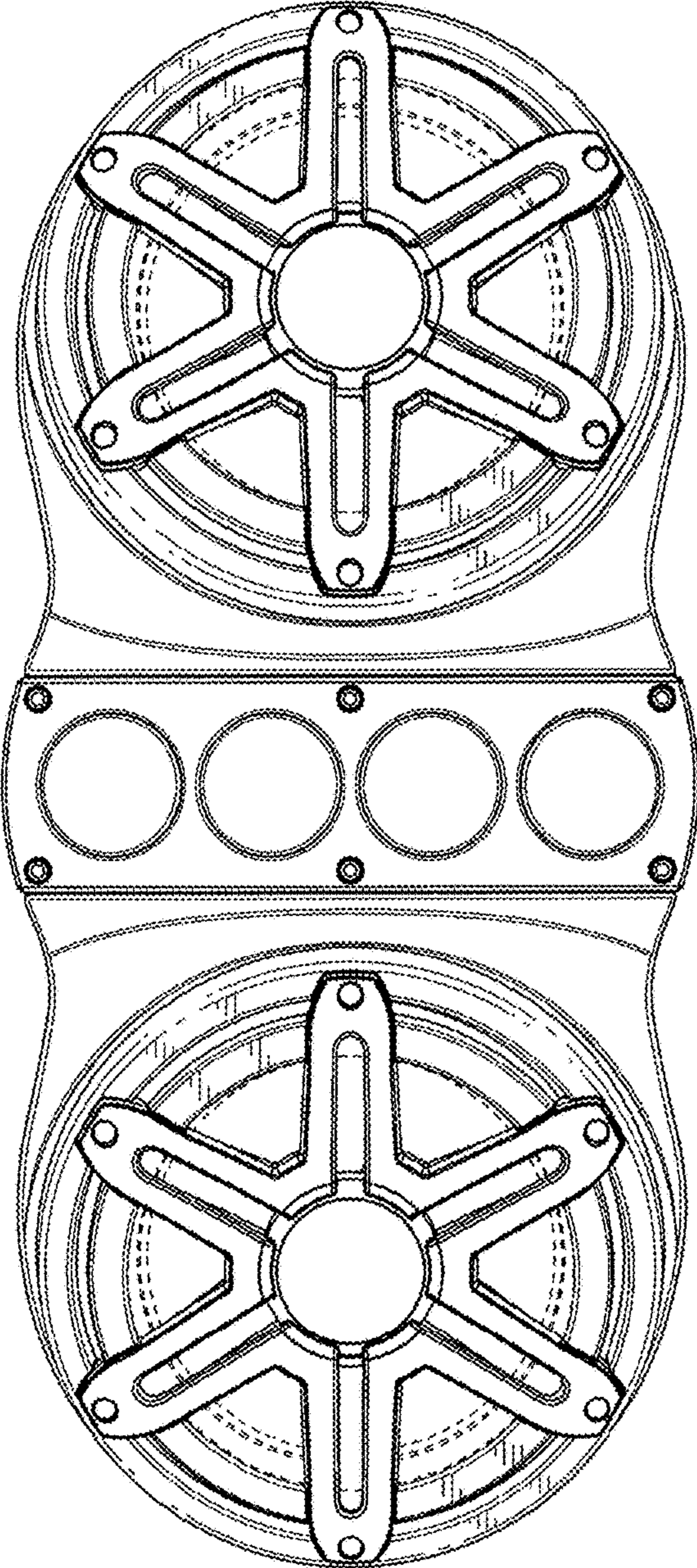


FIG. 2

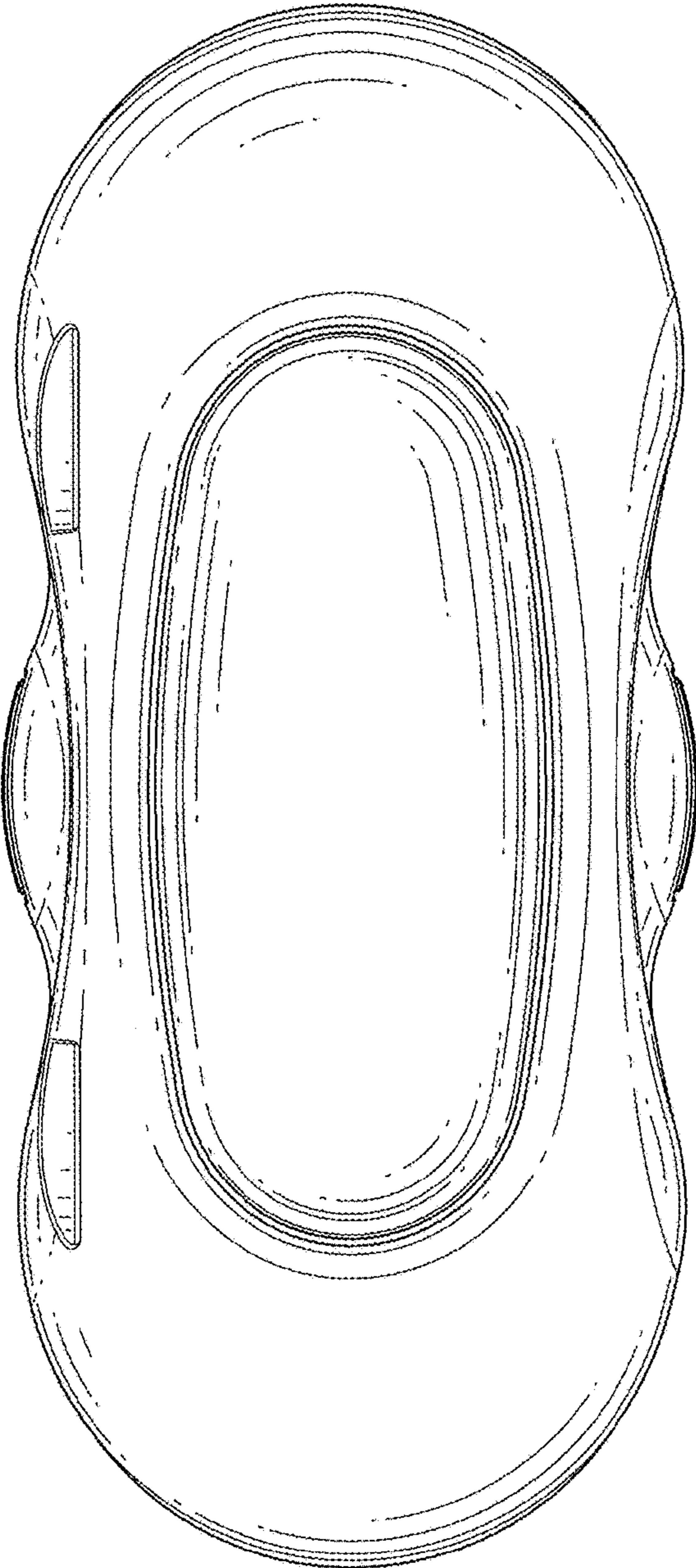


FIG.3

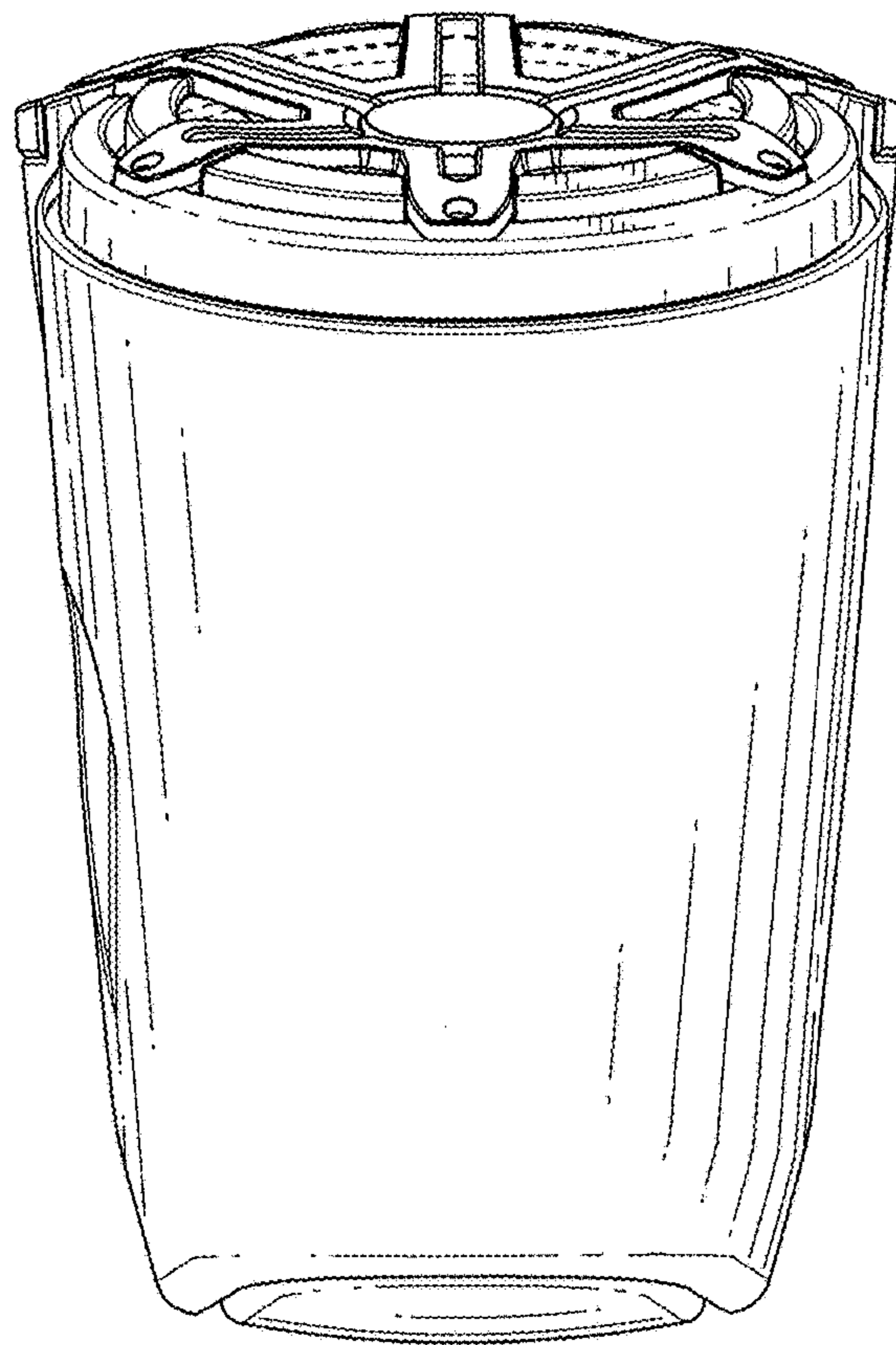


FIG.4

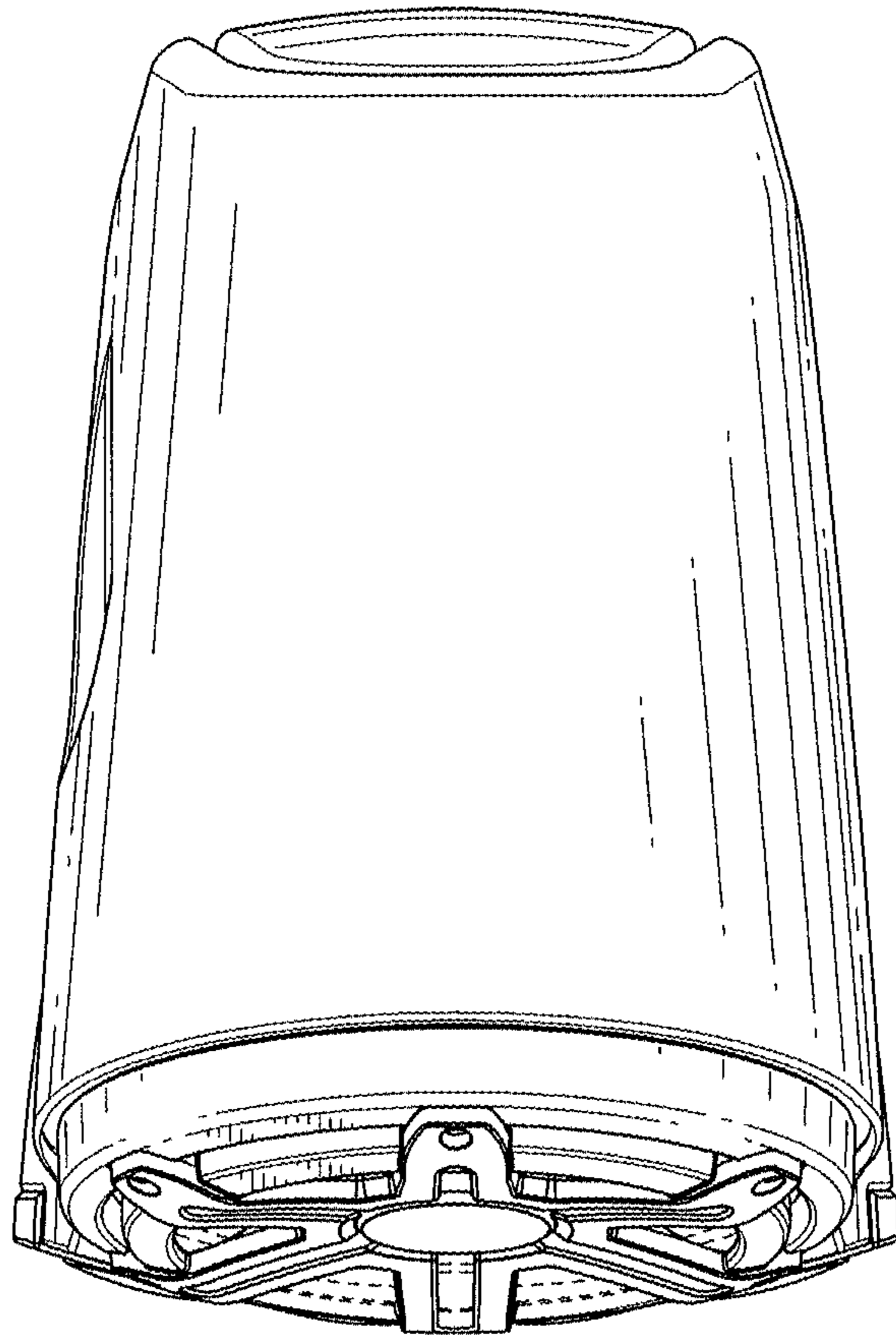


FIG. 5

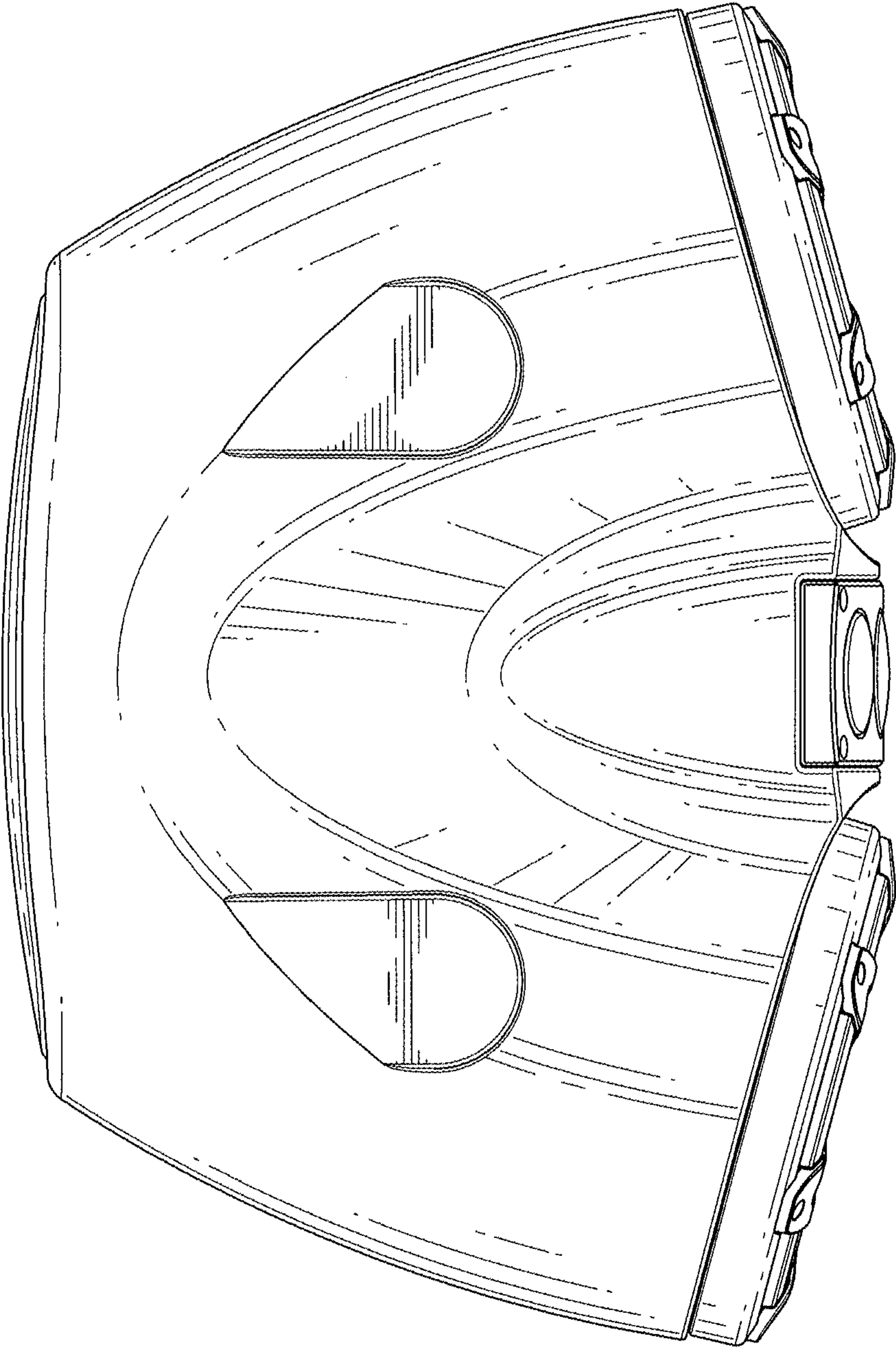


FIG. 6

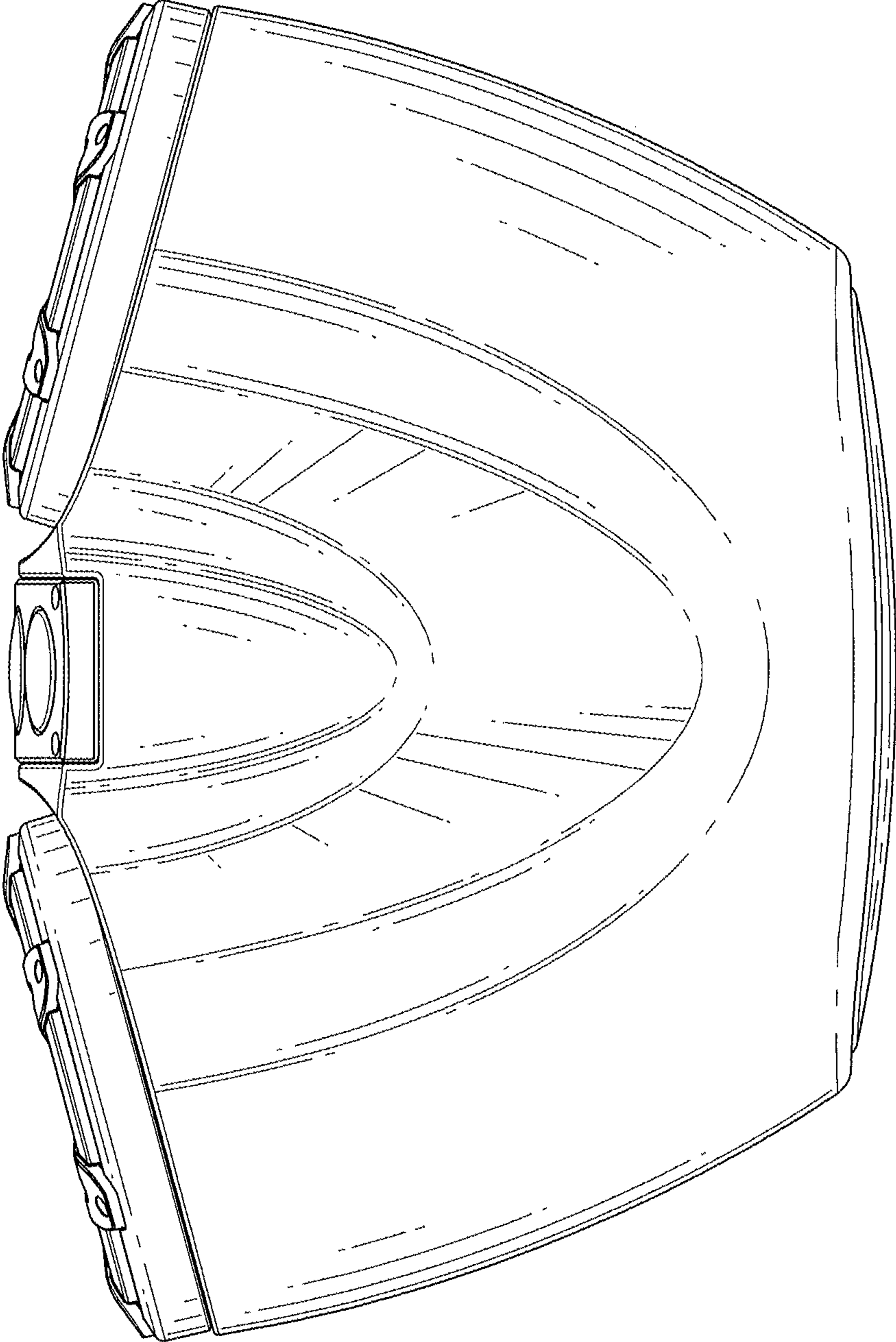


FIG. 7