



US00D861642S

(12) **United States Design Patent** (10) **Patent No.:** **US D861,642 S**  
**Werle et al.** (45) **Date of Patent:** **\*\* Oct. 1, 2019**

(54) **AUDIO SOUNDBAR SPEAKER**  
(71) Applicant: **POLK AUDIO, LLC**, Vista, CA (US)  
(72) Inventors: **Mark Werle**, Oceanside, CA (US);  
**Michael DiTullo**, Encinitas, CA (US)  
(73) Assignee: **Directed, LLC**, Vista, CA (US)  
(\*\*) Term: **15 Years**  
(21) Appl. No.: **29/598,444**  
(22) Filed: **Mar. 26, 2017**  
(51) **LOC (12) Cl.** ..... **14-01**  
(52) **U.S. Cl.**  
USPC ..... **D14/214**  
(58) **Field of Classification Search**  
USPC ..... D14/167, 168, 170-172, 188, 194-196,  
D14/204, 209.1, 210-216, 219, 221, 222,  
D14/224, 239, 496  
CPC ..... B60R 11/0217; G06F 1/1688; G10K 9/22;  
G10K 11/004; H03F 1/327; H04M 1/03;  
H04M 1/035; H04N 5/642; H04N  
21/4852; H04R 1/02; H04R 1/06; H04R  
1/021; H04R 1/025; H04R 1/026; H04R  
1/028; H04R 1/105; H04R 1/323; H04R  
1/403; H04R 1/2803; H04R 1/2834;  
H04R 5/02; H04R 7/20; H04R 9/06;  
H04R 9/025; H04R 2201/021; H04R  
2400/00; H04R 2400/07; H04R 2499/11;  
H04R 2499/13; H04R 2499/15; H04S  
3/00; H04S 7/30  
See application file for complete search history.

(56) **References Cited**

U.S. PATENT DOCUMENTS

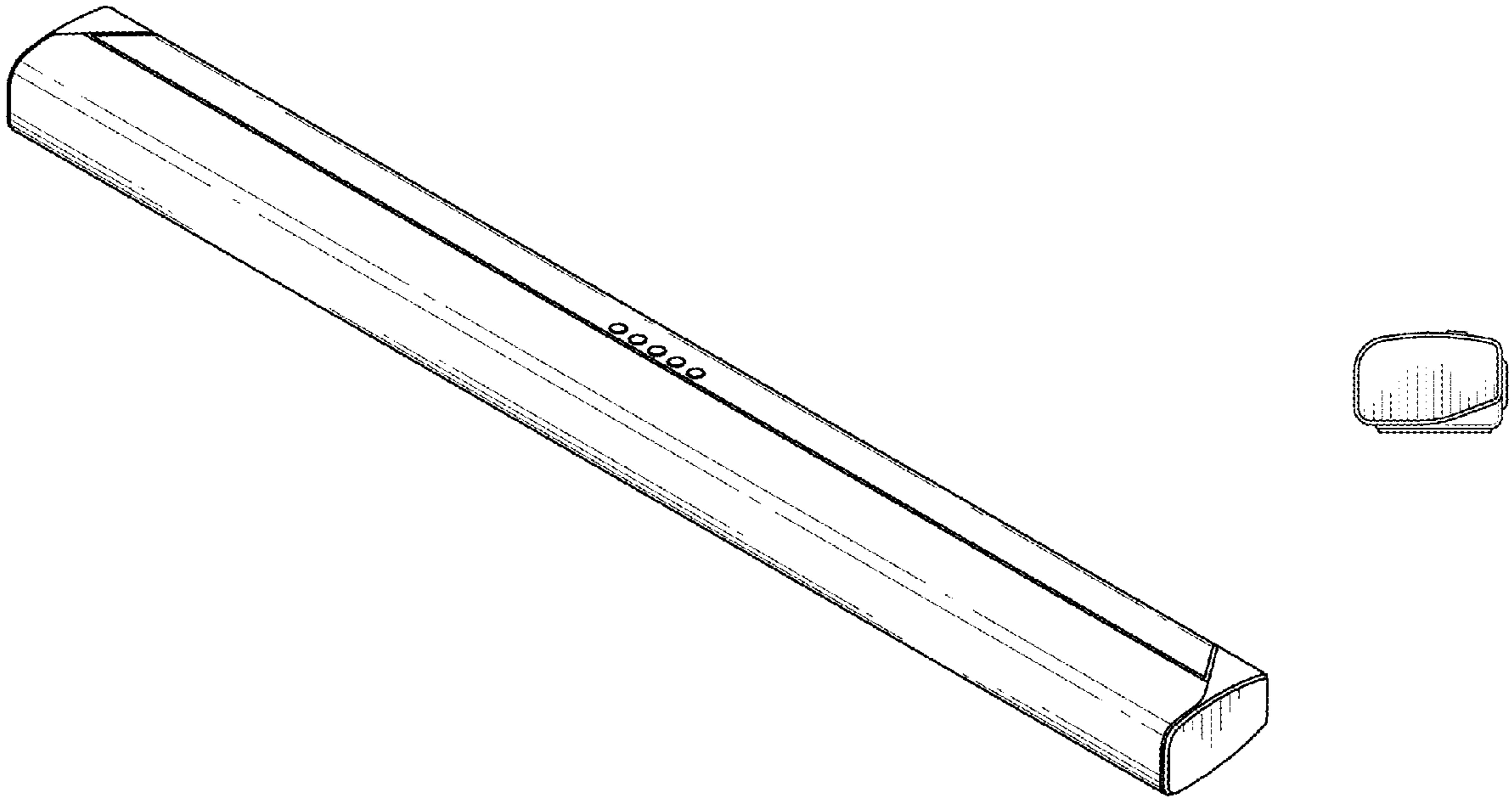
D660,284 S *	5/2012	Carbone .....	D14/214
D688,231 S *	8/2013	Nishii .....	D14/214
D718,274 S *	11/2014	Shadovitz .....	D14/209.1
D718,737 S *	12/2014	Shadovitz .....	D14/209.1
D729,207 S *	5/2015	Ko .....	D14/216
D744,982 S *	12/2015	Kim .....	D14/214
D754,629 S *	4/2016	Kim .....	D14/204
D782,444 S *	3/2017	Koo .....	D14/214
D817,308 S *	5/2018	Sugiura .....	D14/214
D826,207 S *	8/2018	Kim .....	D14/204

\* cited by examiner  
*Primary Examiner* — Keli L Hill  
(74) *Attorney, Agent, or Firm* — Anatoly S. Weiser, Esq.;  
IPLCounsel

(57) **CLAIM**  
The ornamental design for an audio soundbar speaker, as shown and described.

**DESCRIPTION**  
FIG. 1 is a front perspective view of the audio soundbar speaker showing the new design;  
FIG. 2 is a right side view thereof;  
FIG. 3 is a left side view thereof;  
FIG. 4 is a top view thereof;  
FIG. 5 is a bottom view thereof;  
FIG. 6 is a rear view thereof; and,  
FIG. 7 is a front view thereof.

**1 Claim, 3 Drawing Sheets**



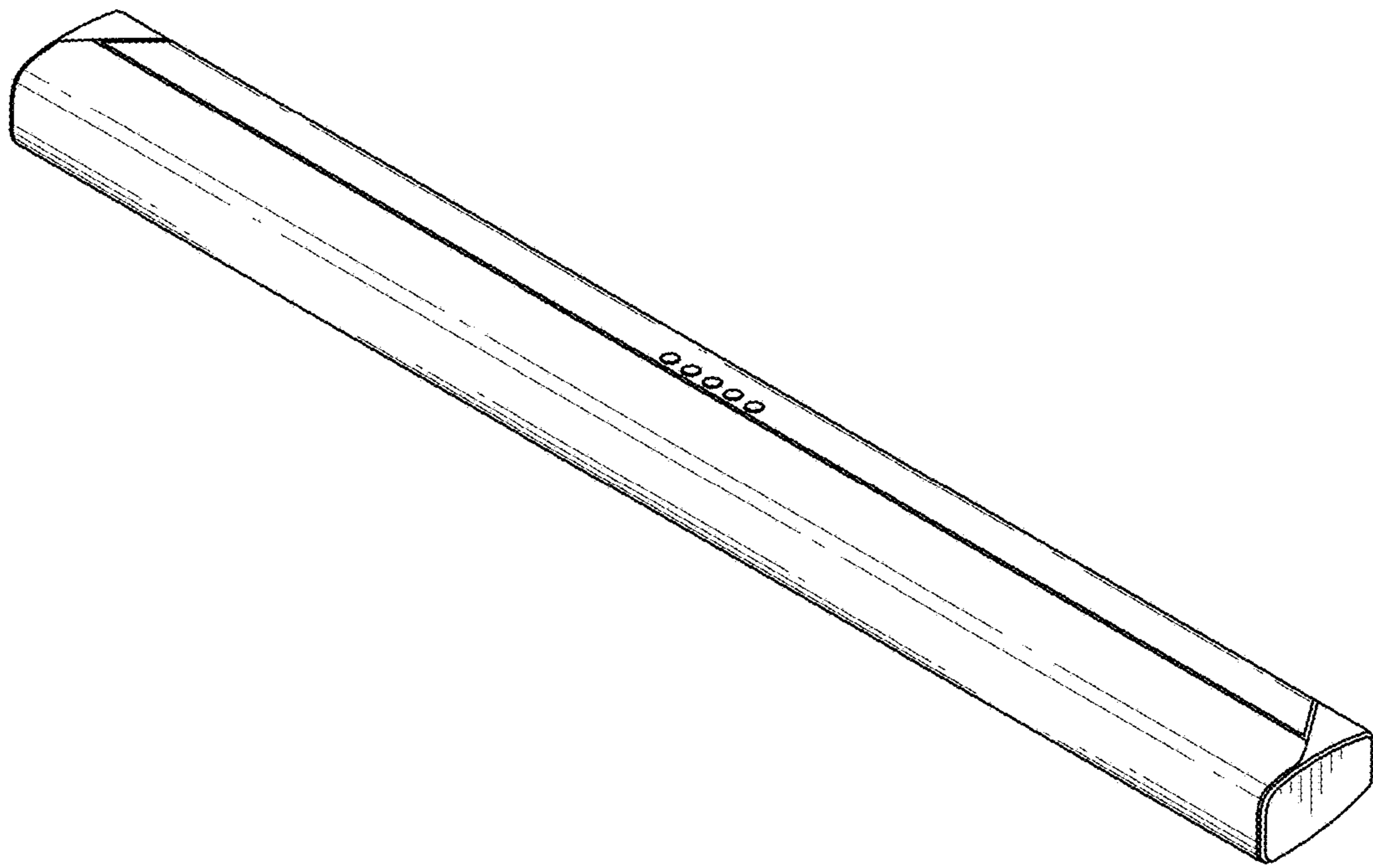


FIG. 1

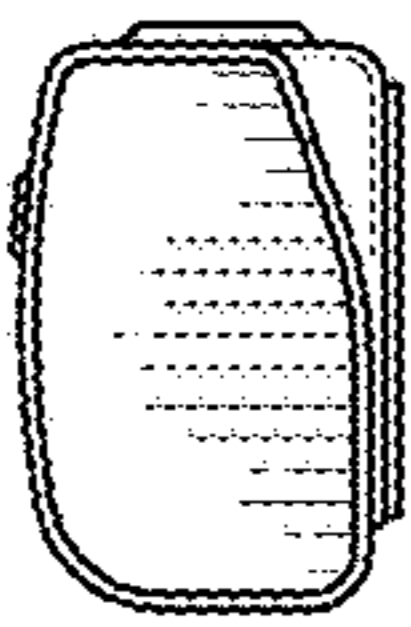


FIG. 2

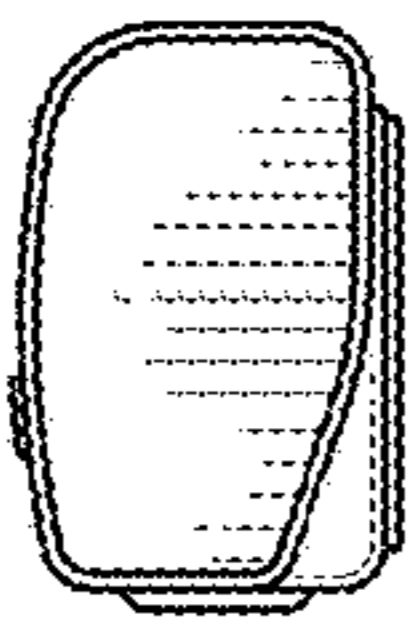


FIG. 3

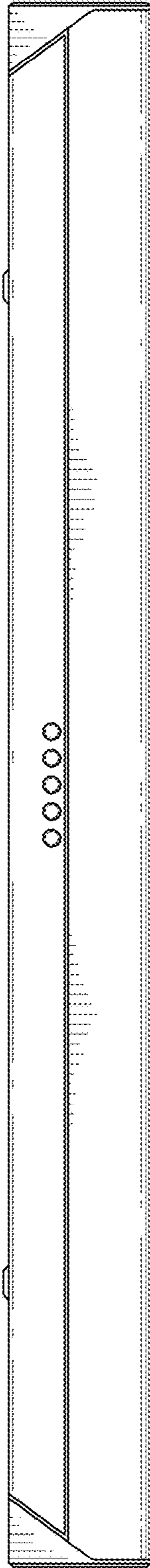


FIG. 4

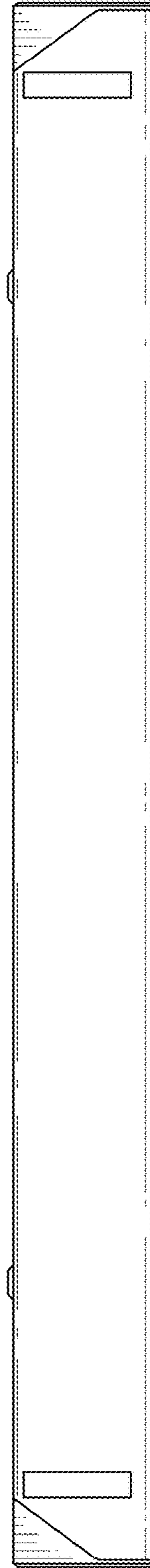


FIG. 5

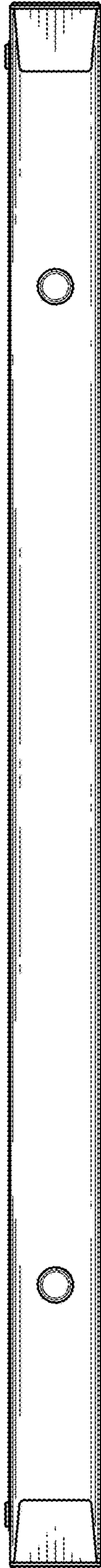


FIG. 6

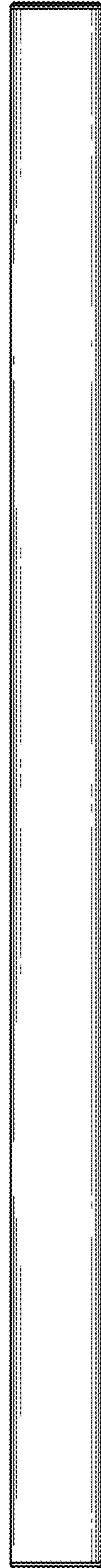


FIG. 7