



US00D861638S

(12) **United States Design Patent**
Miyake et al.

(10) **Patent No.:** **US D861,638 S**
(45) **Date of Patent:** **** Oct. 1, 2019**

- (54) **HEADPHONE**
- (71) Applicant: **Pioneer DJ CORPORATION**,
Yokohama-shi, Kanagawa (JP)
- (72) Inventors: **Kazushige Miyake**, Tokyo (JP);
Daisuke Ishigami, Tokyo (JP)
- (73) Assignee: **Pioneer DJ CORPORATION**,
Yokohama-shi, Kanagawa (JP)
- (**) Term: **15 Years**
- (21) Appl. No.: **29/631,833**
- (22) Filed: **Jan. 3, 2018**
- (30) **Foreign Application Priority Data**
Aug. 4, 2017 (JP) 2017-016904
- (51) **LOC (12) Cl.** **14-01**
- (52) **U.S. Cl.**
USPC **D14/206**
- (58) **Field of Classification Search**
USPC D14/205, 188, 192, 206; D29/112;
2/209; 181/129, 130, 135; 379/430, 431;
381/380, 381, 374, 74; 455/90.3, 575.1,
455/560.1
CPC H04R 25/00; H04R 1/1016; H04R 1/1066;
H04R 5/033; H04R 5/0335; H04R 1/10
See application file for complete search history.

- (56) **References Cited**
U.S. PATENT DOCUMENTS
3,862,379 A * 1/1975 Pless H04R 1/1041
381/372
D244,037 S * 4/1977 Warner D14/205
D246,519 S * 11/1977 Kato D14/205
D254,183 S * 2/1980 Doodson D14/205
D255,352 S * 6/1980 Besasie D14/205

- 4,829,571 A * 5/1989 Kakiuchi H04R 1/1033
381/309
- D345,163 S * 3/1994 Yamatogi D14/205
- D353,818 S * 12/1994 Nakamura D14/205
- D376,598 S * 12/1996 Hayashi D14/205
- D391,573 S * 3/1998 Nakamura D14/205
- D410,466 S * 6/1999 Mouri D14/205
- D420,356 S * 2/2000 Suzuki D14/205
- D431,550 S * 10/2000 Yoneda D14/205
- D435,249 S * 12/2000 Yasutomi D14/205
- 6,629,579 B1 * 10/2003 Hasegawa H04R 1/1066
181/129
- D484,485 S * 12/2003 Matsuoka D14/205
- 6,654,966 B2 * 12/2003 Rolla H04R 1/1066
2/209
- 6,693,143 B2 * 2/2004 Pflug A61K 6/0017
523/116
- D491,163 S * 6/2004 Green D14/205
- D512,708 S * 12/2005 Harris, Jr. D14/205
- D538,261 S * 3/2007 Taylor D14/205

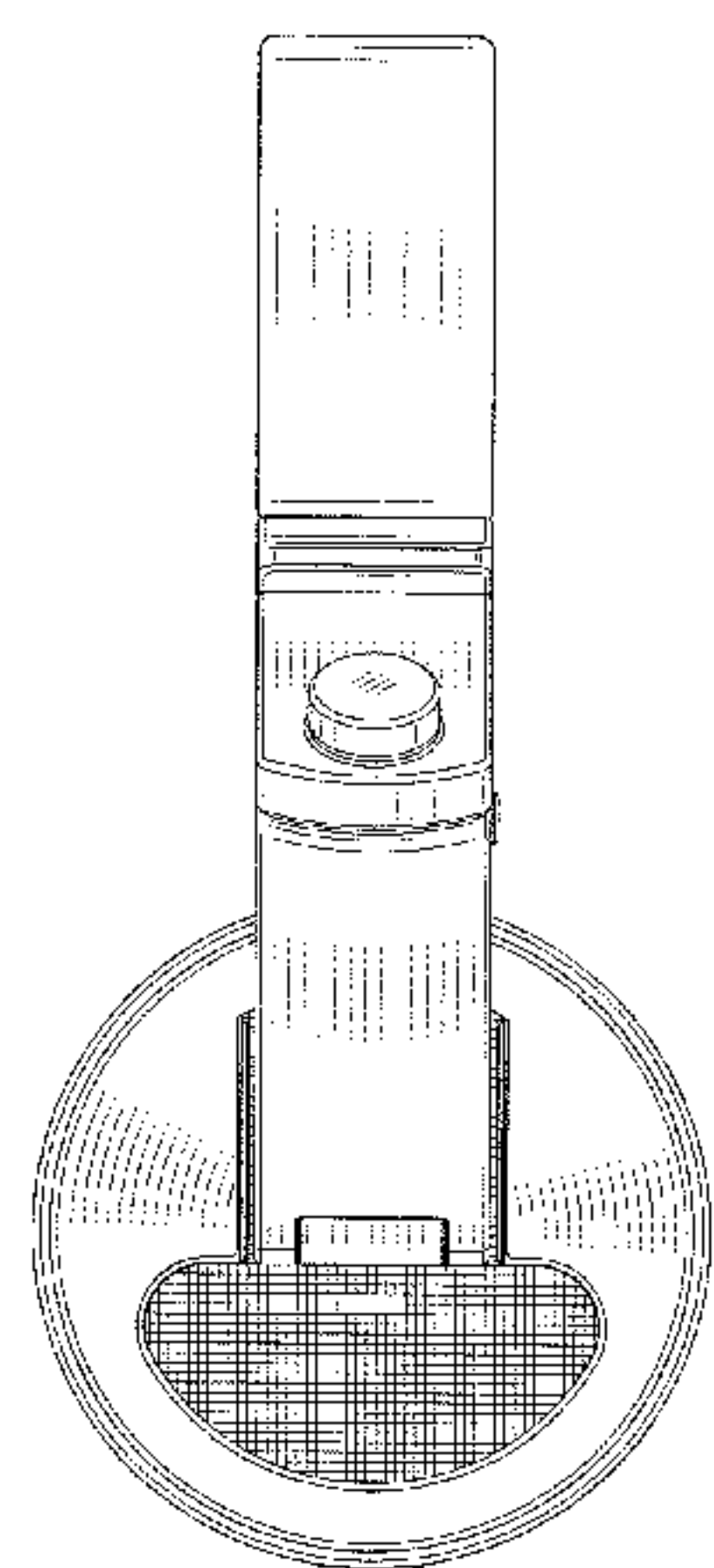
(Continued)

Primary Examiner — Paula Allen Greene
(74) *Attorney, Agent, or Firm* — Drinker Biddle & Reath
LLP

(57) **CLAIM**
We claim the ornamental design for a headphone, as shown
and described.

DESCRIPTION
FIG. 1 is a lower-left-rear perspective view showing the
design.
FIG. 2 is an upper-left-rear perspective view thereof.
FIG. 3 is a front view thereof.
FIG. 4 is a rear view thereof.
FIG. 5 is a left-side view thereof.
FIG. 6 is a right-side view thereof.
FIG. 7 is a top view thereof; and,
FIG. 8 is a bottom view thereof.
The broken lines depict environment that forms no part of
the claimed design.

1 Claim, 8 Drawing Sheets



(56)

References Cited

U.S. PATENT DOCUMENTS

D567,215 S * 4/2008 Lee D14/205
 7,388,960 B2 * 6/2008 Kuo H04R 1/1041
 7,391,878 B2 * 6/2008 Liao H04R 5/033
 381/370
 D573,581 S * 7/2008 Gondo D14/205
 D594,847 S * 6/2009 Suzuki D14/205
 D597,070 S * 7/2009 Zheng D14/205
 D603,370 S * 11/2009 Suzuki D14/205
 D616,865 S * 6/2010 Marchand D14/205
 D633,471 S * 3/2011 Sugiyama D14/205
 D639,775 S * 6/2011 Horibe D14/205
 8,213,665 B2 * 7/2012 Fujiwara H04R 1/1033
 381/374
 8,213,667 B2 * 7/2012 Nelson F16C 11/06
 381/370
 8,675,885 B2 * 3/2014 Sapiejewski H04R 1/105
 381/58
 D708,164 S * 7/2014 Ishikura D14/205
 D719,136 S * 12/2014 Schaal D14/205
 D722,998 S * 2/2015 Sancho D14/205
 D725,074 S * 3/2015 Boeckel D14/205
 D726,174 S * 4/2015 Wahlin D14/250
 D727,280 S * 4/2015 Levine D14/205
 D727,281 S * 4/2015 Levine D14/205
 D728,512 S * 5/2015 Nakagawa D14/205
 D733,090 S * 6/2015 Petersen D14/205
 D736,174 S * 8/2015 Levine D14/205

D736,175 S * 8/2015 Levine D14/205
 D741,842 S * 10/2015 Levine D14/226
 D746,790 S * 1/2016 Strasberg D14/205
 D752,017 S * 3/2016 Daniel D14/205
 D762,190 S * 7/2016 Levine D14/205
 D762,191 S * 7/2016 Levine D14/205
 D765,055 S * 8/2016 Hsieh D14/205
 D772,841 S * 11/2016 Levine D14/205
 D778,258 S * 2/2017 Hsu D14/205
 D780,155 S * 2/2017 Levine D14/205
 D781,265 S * 3/2017 Levine D14/205
 D781,814 S * 3/2017 Levine D14/205
 D794,603 S * 8/2017 Riggs D14/205
 D805,056 S * 12/2017 Levine D14/205
 D810,055 S * 2/2018 Levine D14/226
 D812,588 S * 3/2018 Levine D14/205
 D813,194 S * 3/2018 Loh D14/205
 D836,084 S * 12/2018 Xie D14/205
 2008/0056525 A1 * 3/2008 Fujiwara H04R 1/1033
 381/374
 2010/0177907 A1 * 7/2010 Morisawa H04R 1/1066
 381/74
 2012/0070028 A1 * 3/2012 Margulies H04R 1/105
 381/380
 2017/0041696 A1 * 2/2017 Levine H04R 1/1033
 2017/0041697 A1 * 2/2017 Levine H04R 1/1033
 2017/0134845 A1 * 5/2017 Milam H04R 1/1041
 2017/0339479 A1 * 11/2017 Levine H04R 5/0335
 2018/0020277 A1 * 1/2018 Briggs H04R 1/1008
 2018/0020278 A1 * 1/2018 Levine H04R 1/1033

* cited by examiner

FIG. 1

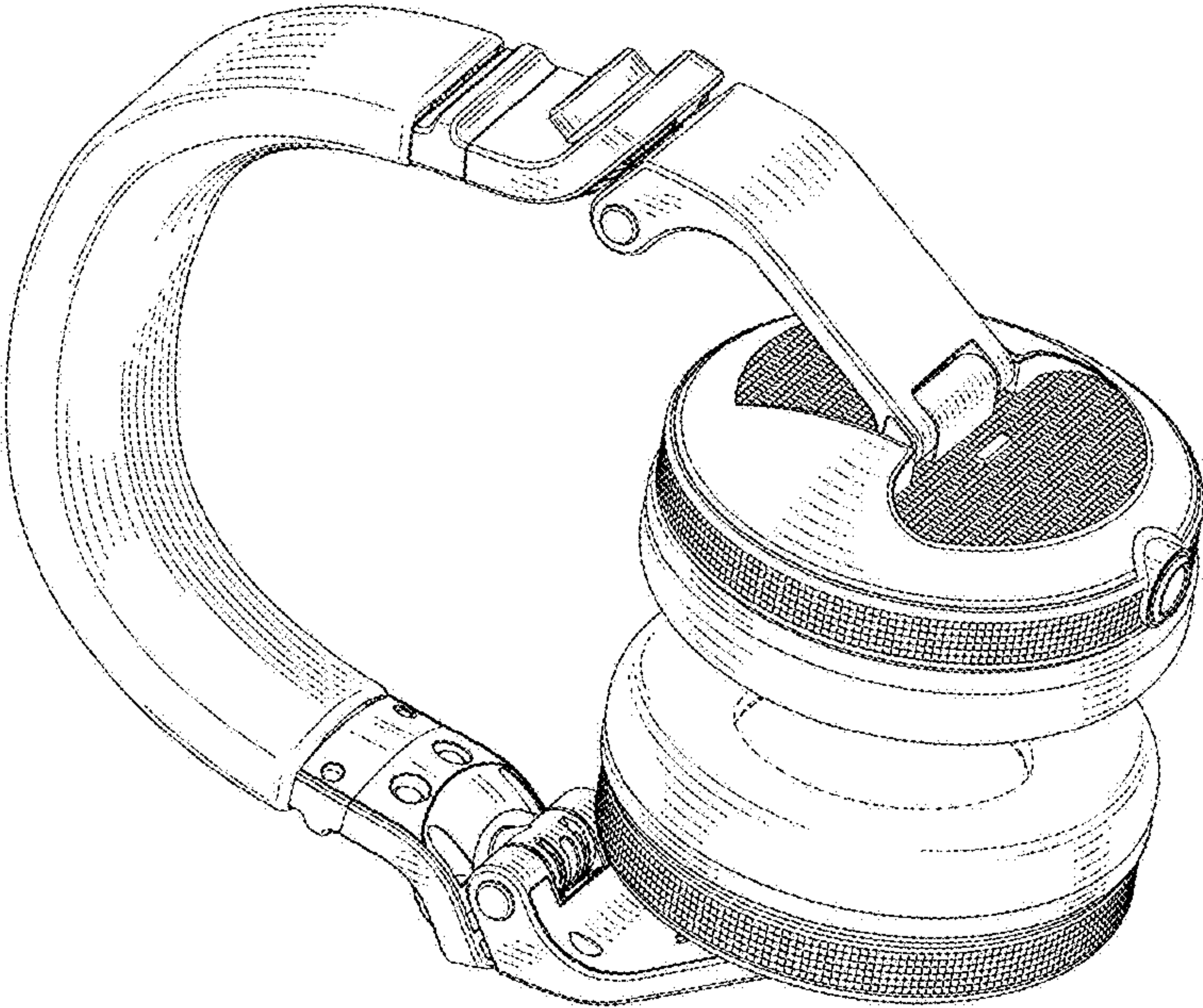
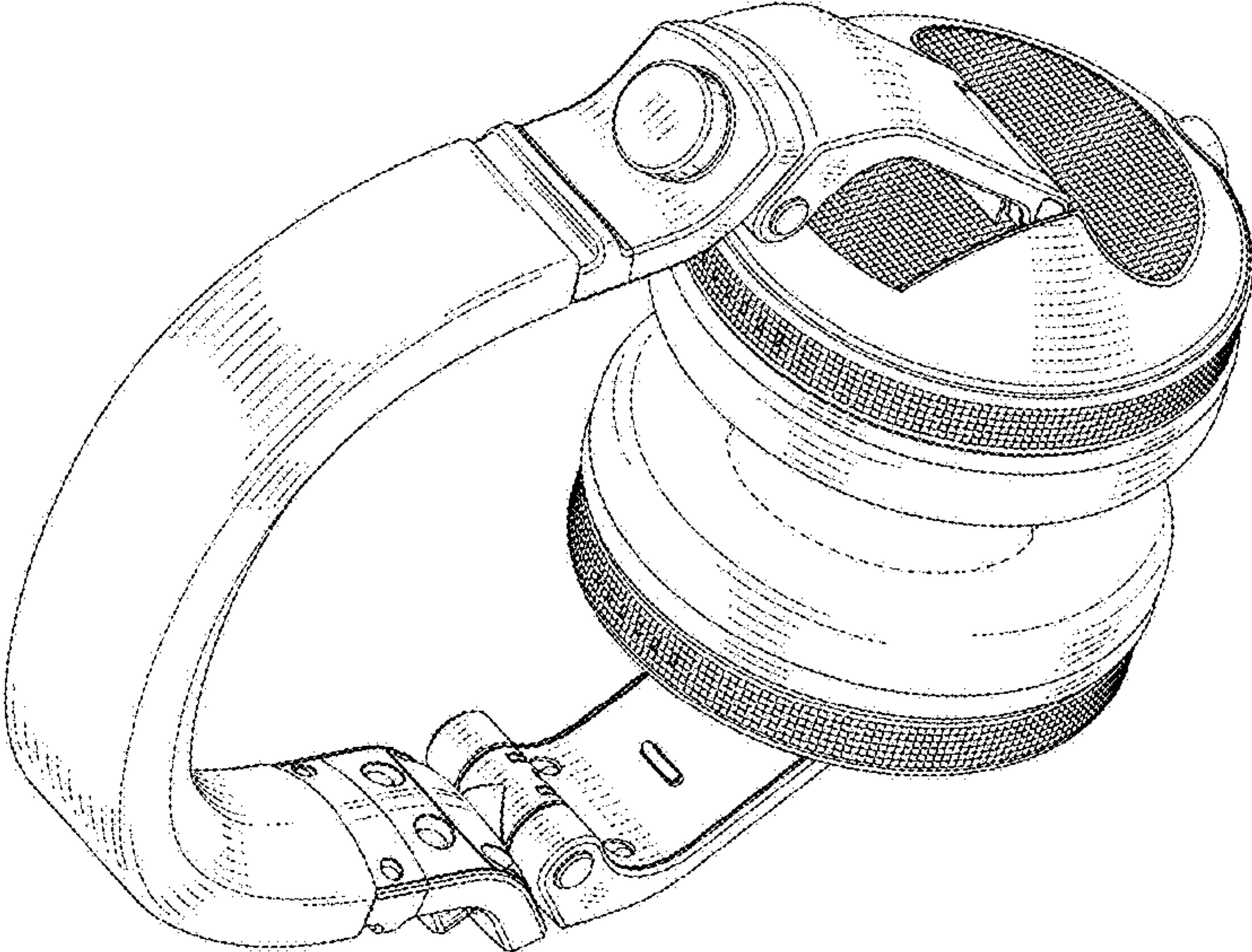


FIG. 2



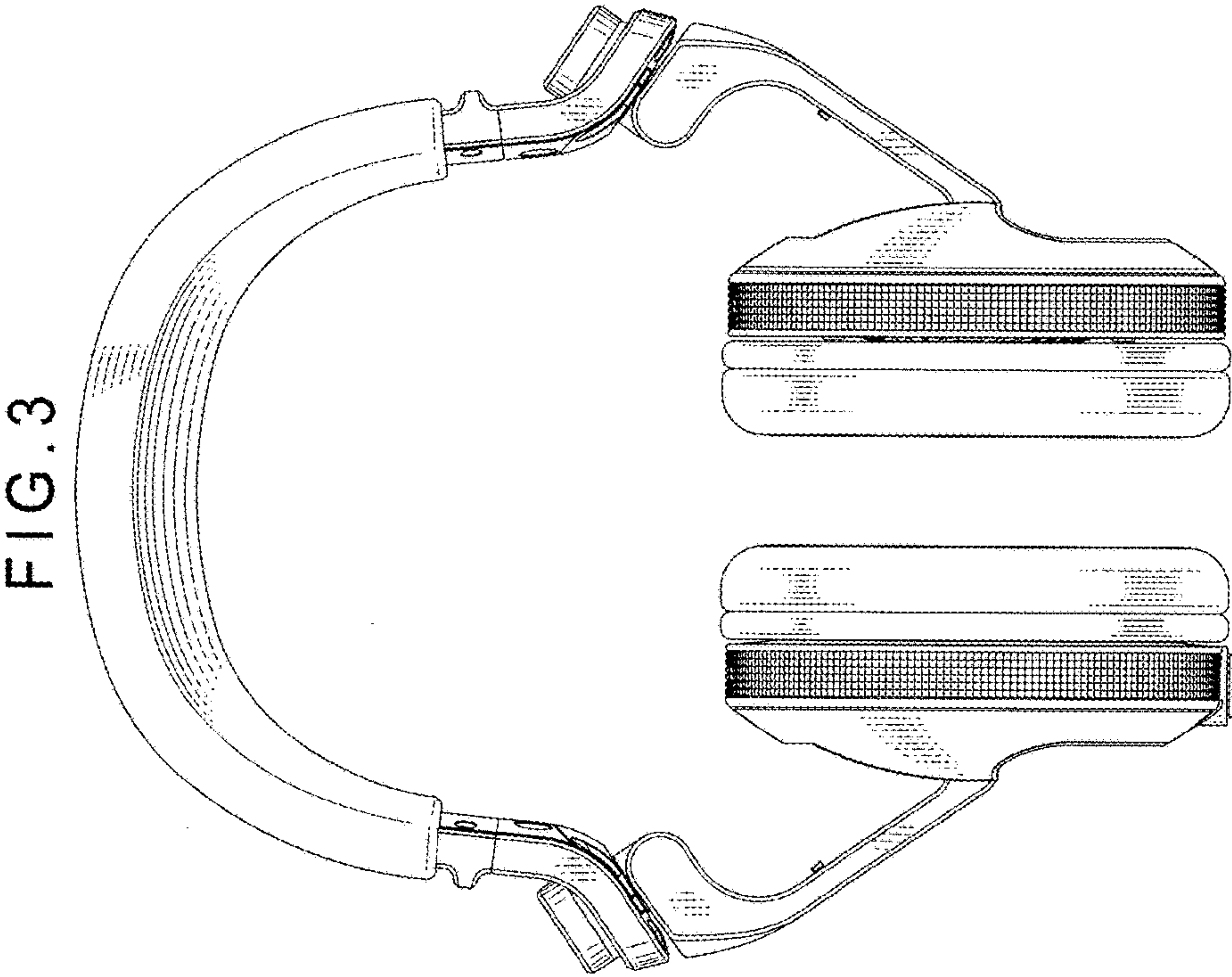
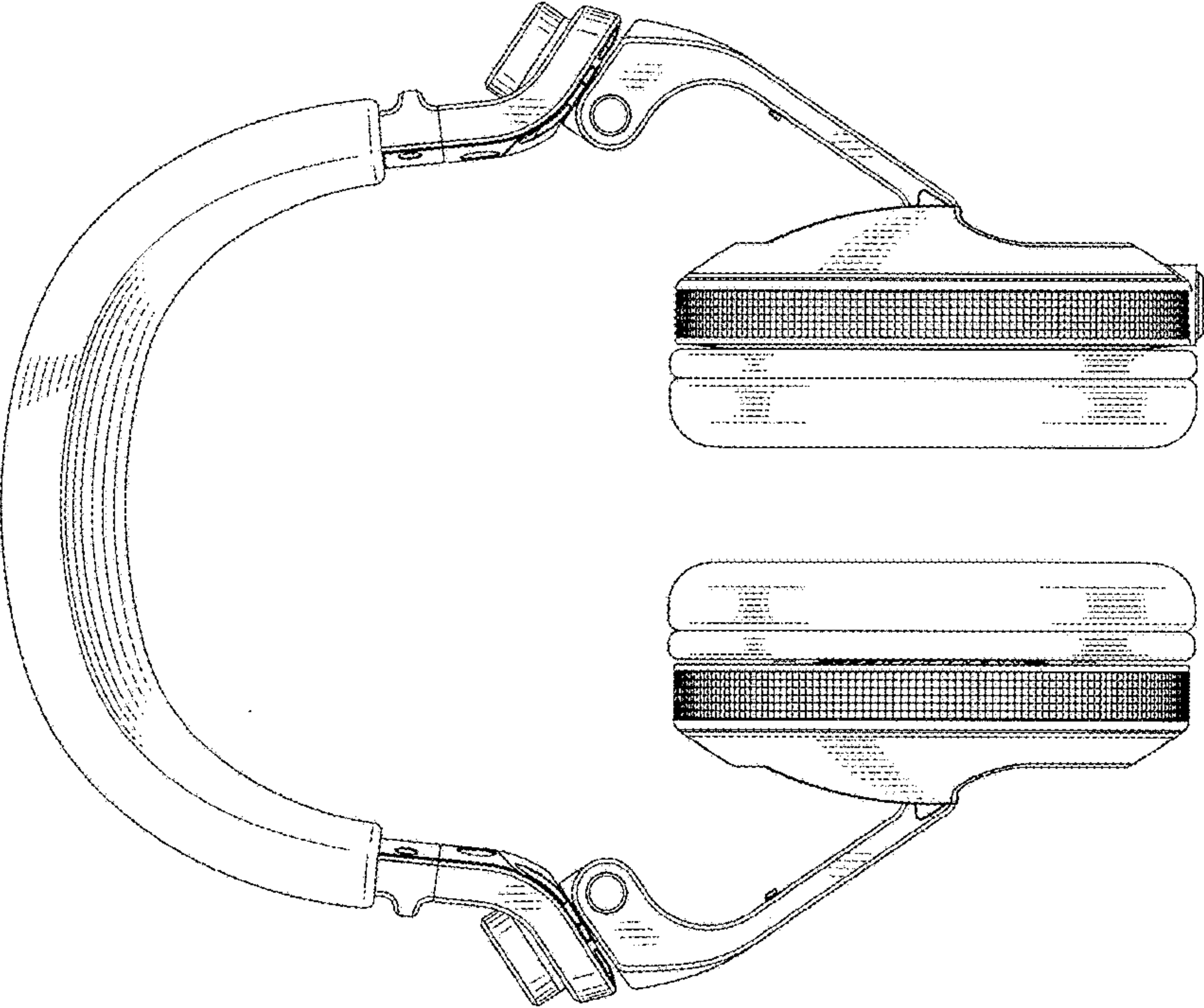
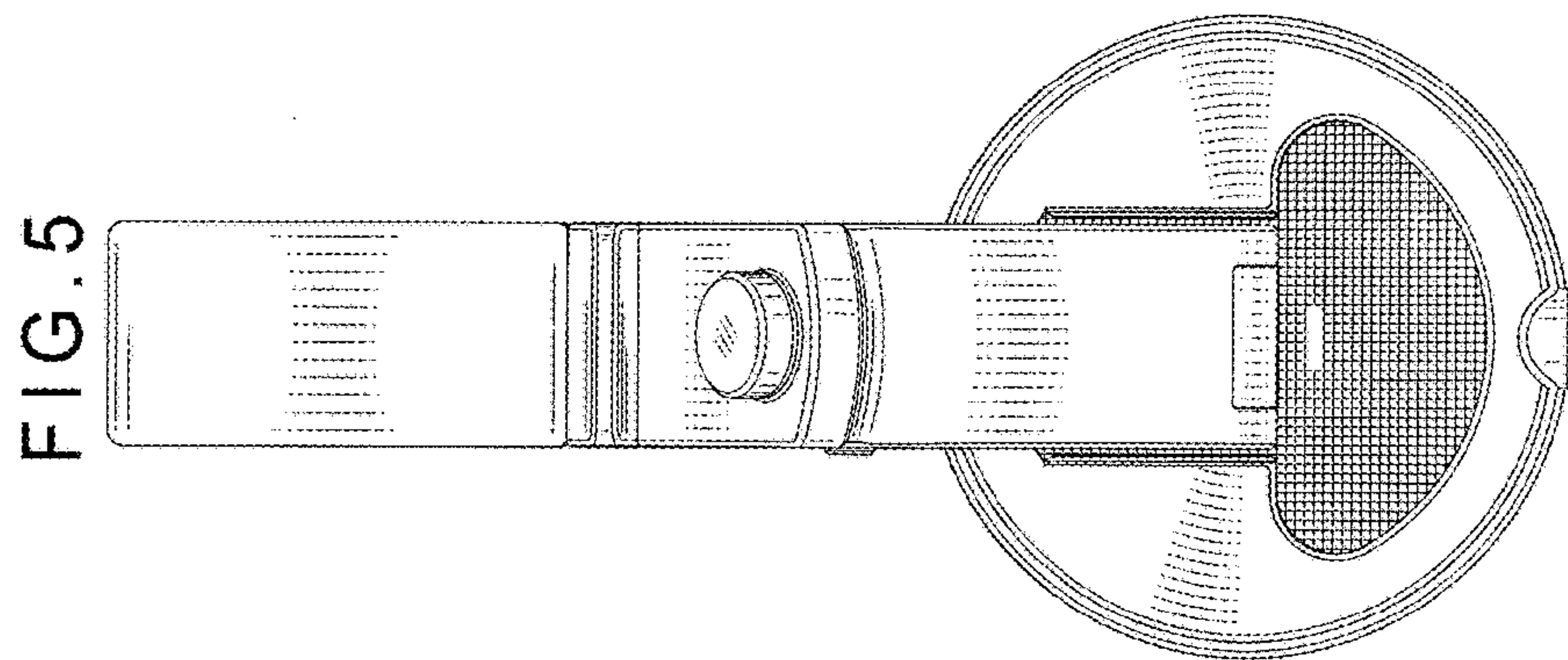


FIG. 4





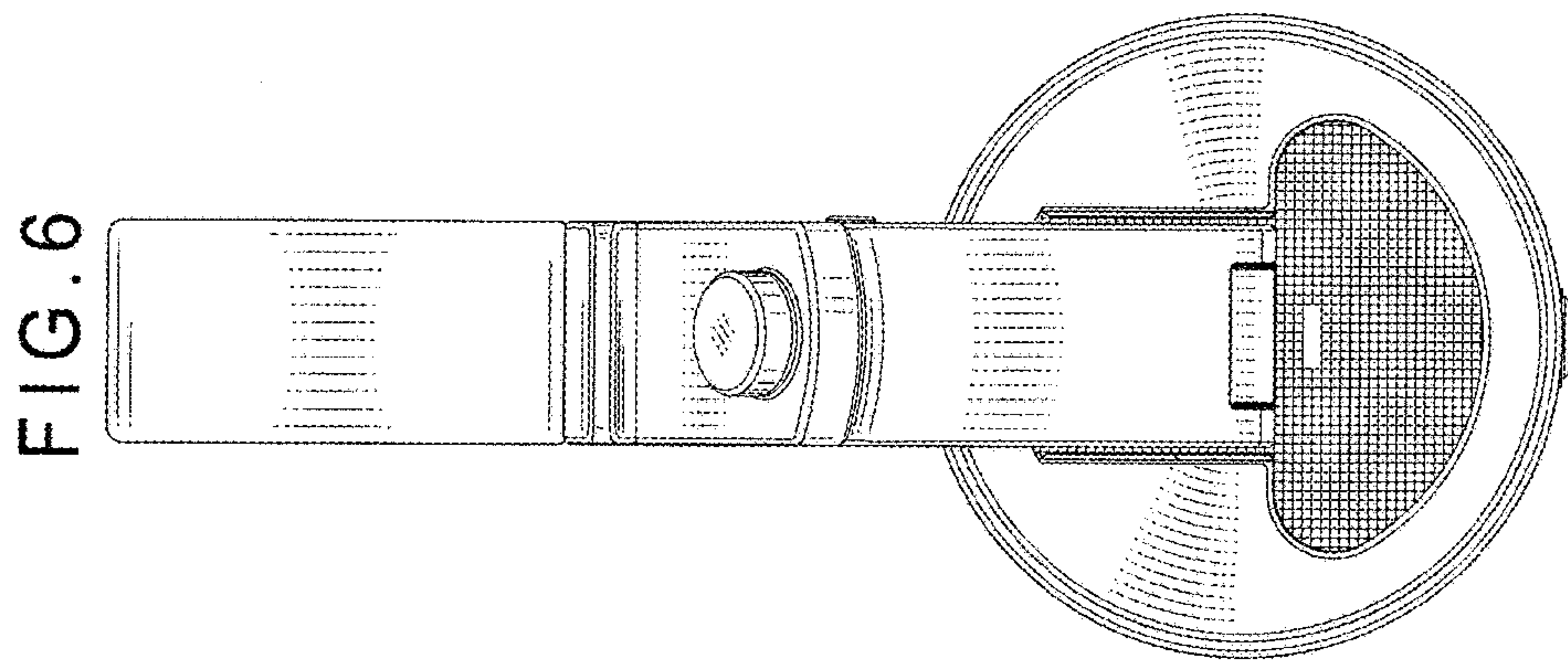


FIG. 7

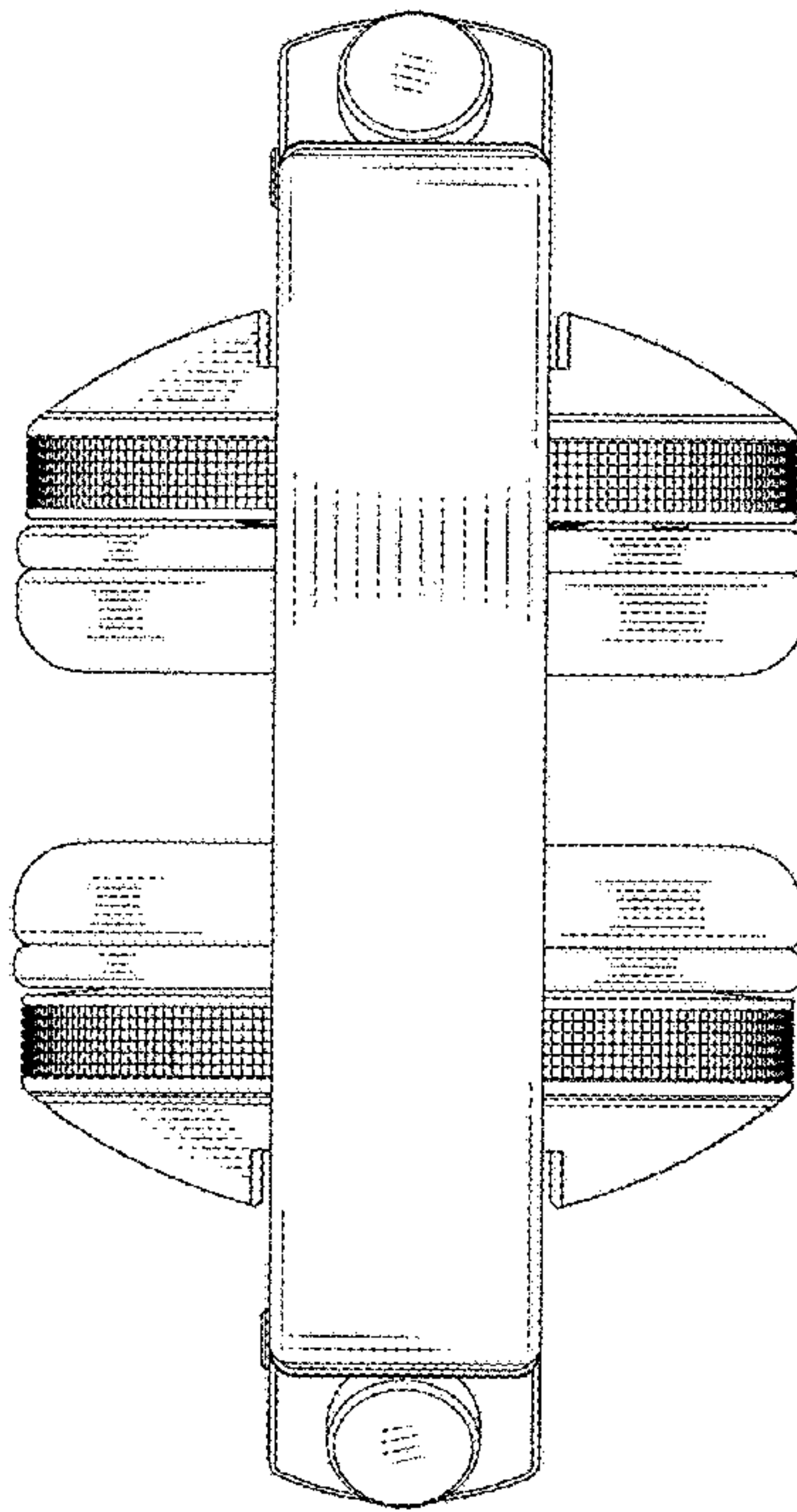


FIG. 8

