



US00D861635S

(12) **United States Design Patent**  
**Davi et al.**

(10) **Patent No.:** **US D861,635 S**  
(45) **Date of Patent:** **\*\* Oct. 1, 2019**

(54) **HEADPHONES**

(71) Applicant: **Davi Audio, Inc.**, Longwood, FL (US)

(72) Inventors: **Leonard Davi**, Longwood, FL (US);  
**Massimo Borrelli**, Moncalieri (IT);  
**Jason May**, Converse, TX (US); **Scott Disbennett**, New Smyrna Beach, FL (US)

(73) Assignee: **Davi Audio, Inc.**, Longwood, FL (US)

(\*\*) Term: **15 Years**

(21) Appl. No.: **29/634,468**

(22) Filed: **Jan. 22, 2018**

**Related U.S. Application Data**

(62) Division of application No. 29/582,914, filed on Oct. 31, 2016, now Pat. No. Des. 829,686.

(51) **LOC (12) Cl.** ..... **14-01**

(52) **U.S. Cl.**  
USPC ..... **D14/205**; D14/206

(58) **Field of Classification Search**  
USPC ..... D14/205, 188, 192, 225, 226, 206, 219;  
D29/112; 2/209; 181/135; 379/430,  
379/431; 381/380, 381, 374; 455/90.3,  
455/569.1, 575.1  
CPC .... H04R 1/1066; H04R 5/033; H04R 5/0335;  
H04R 1/10; H04R 25/00; H04R 1/1041  
See application file for complete search history.

(56) **References Cited**

**U.S. PATENT DOCUMENTS**

D244,037 S 4/1977 Warner et al.  
4,741,030 A \* 4/1988 Wilson ..... H04M 1/05  
379/368  
4,829,571 A 5/1989 Kakiuchi et al.  
D302,429 S 7/1989 Leer  
D316,861 S \* 5/1991 Yoda ..... D14/205

D318,669 S \* 7/1991 Nakayama ..... D14/205  
D319,241 S \* 8/1991 Daido ..... D14/205  
5,095,382 A \* 3/1992 Abe ..... H04B 10/114  
320/107  
D336,646 S \* 6/1993 Yamazaki ..... D14/205  
D345,162 S \* 3/1994 Yamatogi ..... D14/205  
5,293,647 A \* 3/1994 Mirmilshteyn ..... H04R 1/10  
2/209  
D348,465 S \* 7/1994 Yamatogi ..... D14/205

(Continued)

*Primary Examiner* — Paula Allen Greene

(74) *Attorney, Agent, or Firm* — Michael L. Leetzow, P.A.

(57) **CLAIM**

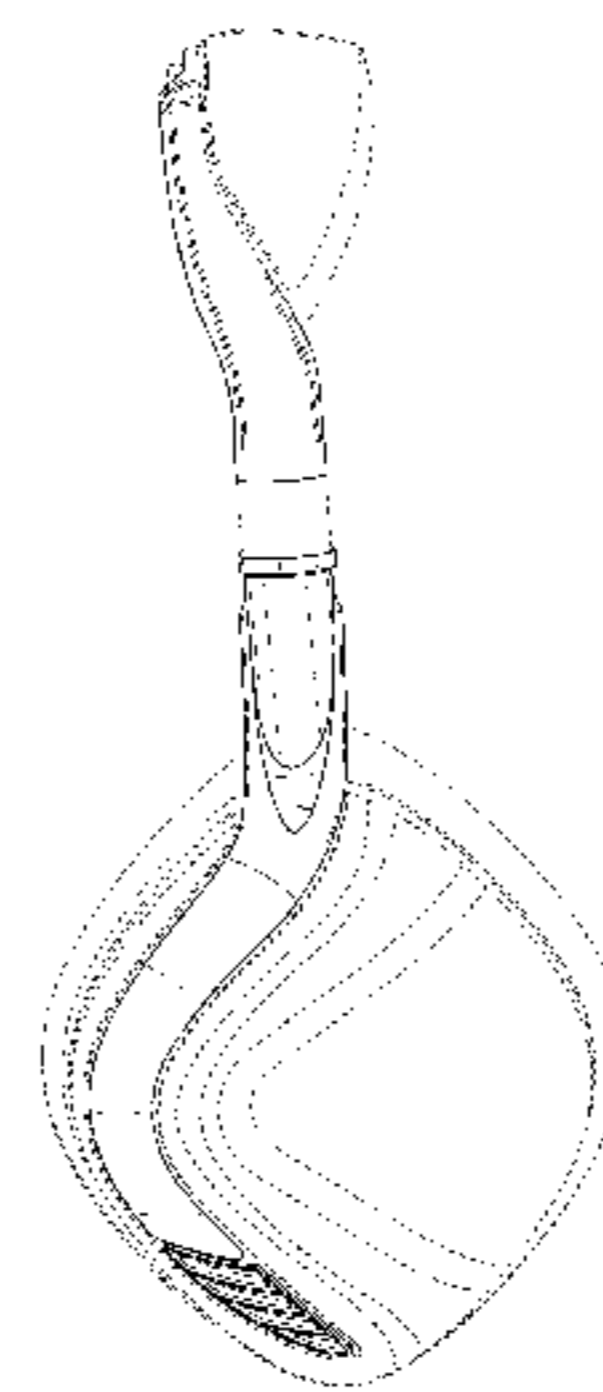
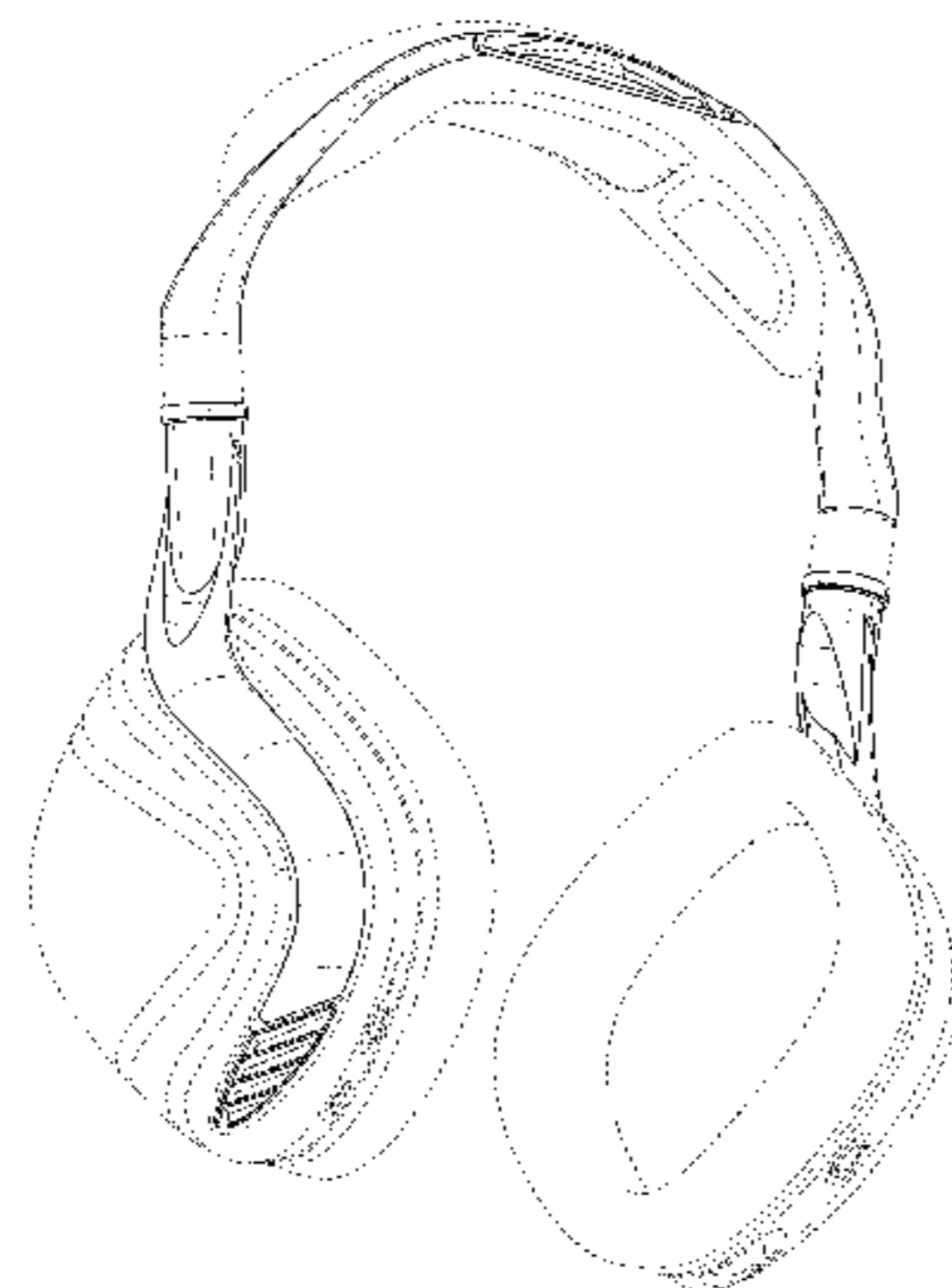
The ornamental design for headphones, as shown and described.

**DESCRIPTION**

FIG. 1 is a back side perspective view from the top of a portion of headphones showing our new design;  
FIG. 2 is a back side perspective view from the bottom of the portion of the headphones shown in FIG. 1;  
FIG. 3 is a back side view of the portion of the headphones shown in FIG. 1;  
FIG. 4 is a front side view of the portion of the headphones shown in FIG. 1;  
FIG. 5 is a left side view of the portion of the headphones shown in FIG. 1;  
FIG. 6 is a right side view of the portion of the headphones shown in FIG. 1;  
FIG. 7 is a top side view of the portion of the headphones shown in FIG. 1; and,  
FIG. 8 is a bottom side view of the portion of the headphones shown in FIG. 1.

The broken lines immediately adjacent the shaded areas represent the bounds of the claimed design while all other broken lines are directed to environment and are for illustrative purposes only; the broken lines form no part of the claimed design.

**1 Claim, 7 Drawing Sheets**



(56)

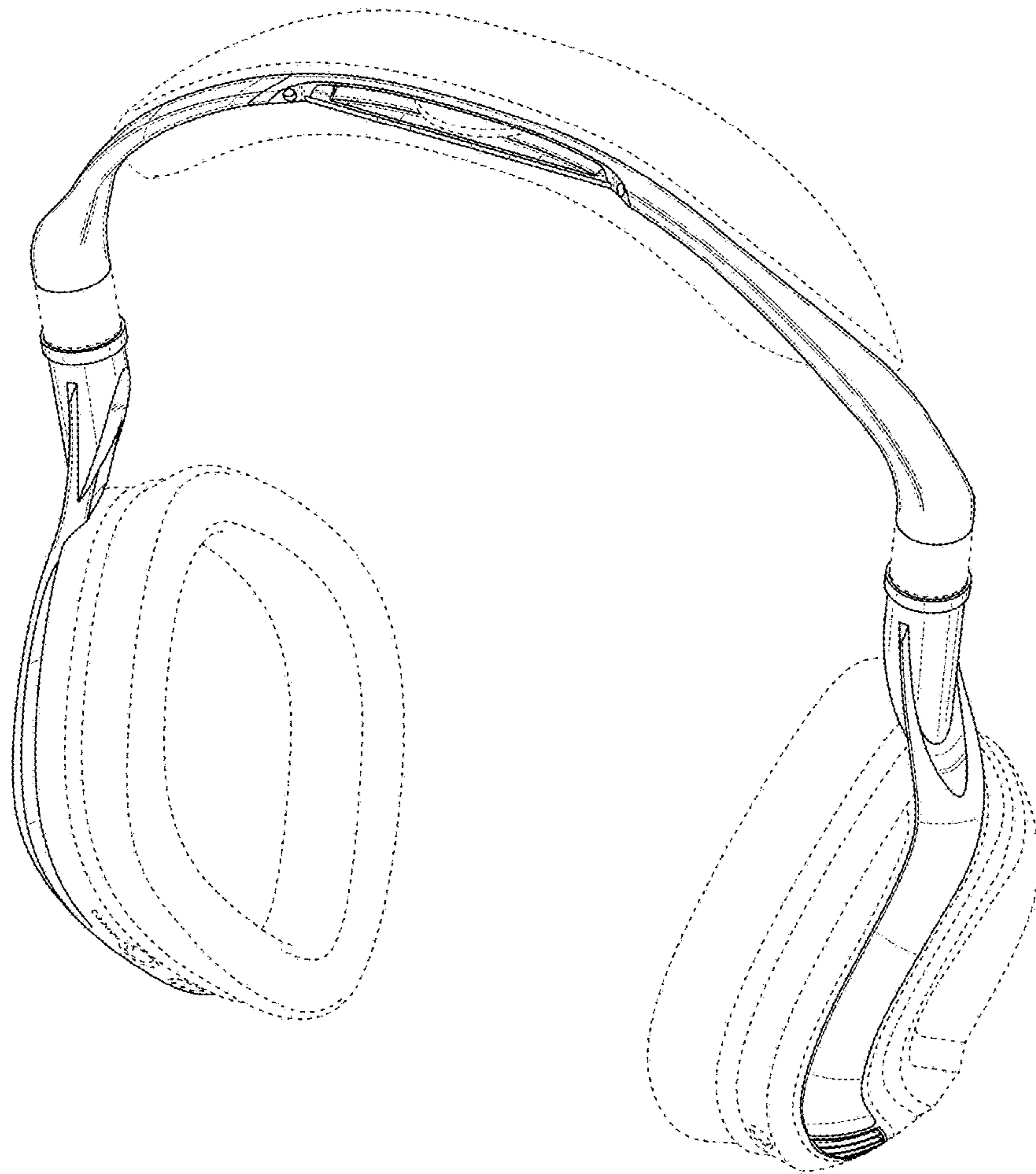
References Cited

U.S. PATENT DOCUMENTS

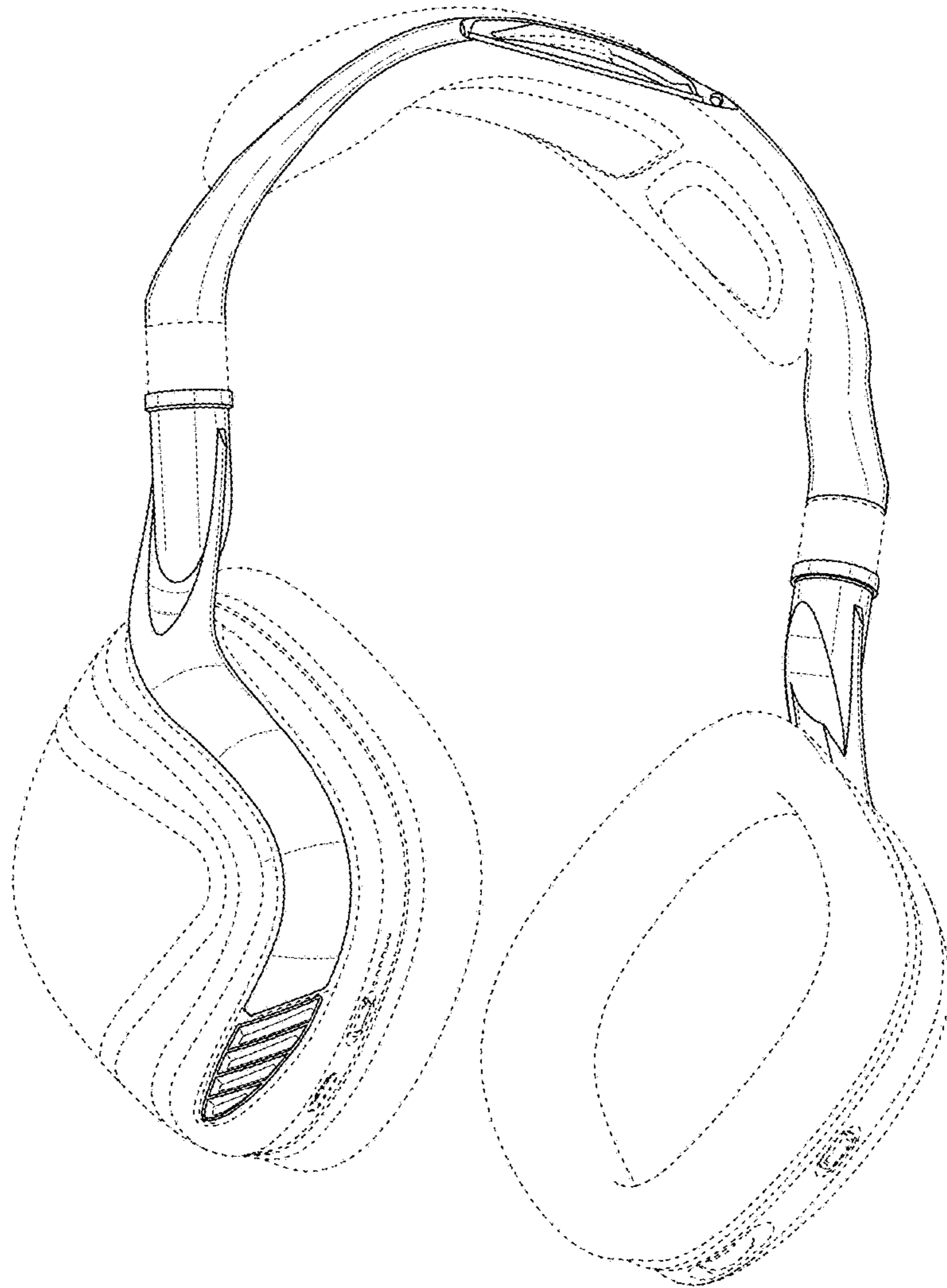
D353,817 S \* 12/1994 Wada ..... D14/205  
 D358,391 S \* 5/1995 Isono ..... D14/205  
 5,459,290 A 10/1995 Yamagishi  
 D369,604 S 5/1996 Morimiya  
 D373,360 S \* 9/1996 Kanno ..... D14/205  
 D375,312 S 11/1996 Kanno  
 D377,021 S \* 12/1996 Isono ..... D14/205  
 D386,181 S \* 11/1997 Fisher ..... D14/192  
 D394,062 S \* 5/1998 Chun ..... D14/192  
 D405,449 S \* 2/1999 Nakamura ..... D14/205  
 D423,012 S 4/2000 Yasutomi  
 6,385,325 B1 \* 5/2002 Nageno ..... H04R 1/1066  
 381/370  
 D471,176 S \* 3/2003 Suzuki ..... D14/205  
 D484,485 S \* 12/2003 Matsuoka ..... D14/205  
 D492,941 S \* 7/2004 Komiyama ..... D14/205  
 D492,943 S \* 7/2004 Komiyama ..... D14/205  
 D504,414 S \* 4/2005 Yoshida ..... D14/192  
 D510,335 S \* 10/2005 Suzuki ..... D14/205  
 D520,492 S 5/2006 Chen  
 7,172,052 B2 \* 2/2007 Lenhard-Backhaus .....  
 H04R 1/1066  
 181/129  
 D541,255 S 4/2007 Taylor et al.  
 D583,800 S \* 12/2008 Jaakkola ..... D14/205  
 D588,098 S \* 3/2009 Kurihara ..... D14/205

D591,263 S \* 4/2009 Shimizu ..... D14/205  
 D594,847 S 6/2009 Suzuki  
 D625,703 S 10/2010 Kolton  
 D632,667 S 2/2011 Martin  
 D648,318 S 11/2011 Huang  
 D691,109 S \* 10/2013 Hardi ..... D14/205  
 8,774,420 B2 7/2014 Belafonte et al.  
 D712,375 S \* 9/2014 Miyake ..... D14/205  
 D716,256 S 10/2014 Ang  
 8,923,525 B2 \* 12/2014 Saideh ..... H04R 1/1033  
 381/309  
 D727,286 S \* 4/2015 Galler ..... D14/205  
 D727,289 S \* 4/2015 Czaniecki ..... D14/205  
 D741,286 S 10/2015 Brennwald et al.  
 D745,860 S 12/2015 Logan  
 D746,793 S 1/2016 Logan  
 D763,223 S \* 8/2016 Czaniecki ..... D14/205  
 D763,821 S \* 8/2016 Leopardi ..... D14/205  
 D773,434 S \* 12/2016 Wu ..... D14/205  
 D788,071 S 5/2017 Logan  
 D795,218 S 8/2017 Ohmachi  
 D829,686 S \* 10/2018 Davi ..... D14/205  
 D841,615 S \* 2/2019 Bian ..... D14/205  
 2005/0053255 A1 \* 3/2005 Harris ..... H04R 1/1066  
 381/379  
 2007/0165899 A1 \* 7/2007 Garin ..... H04R 1/1066  
 381/377  
 2010/0177907 A1 \* 7/2010 Morisawa ..... H04R 1/1066  
 381/74

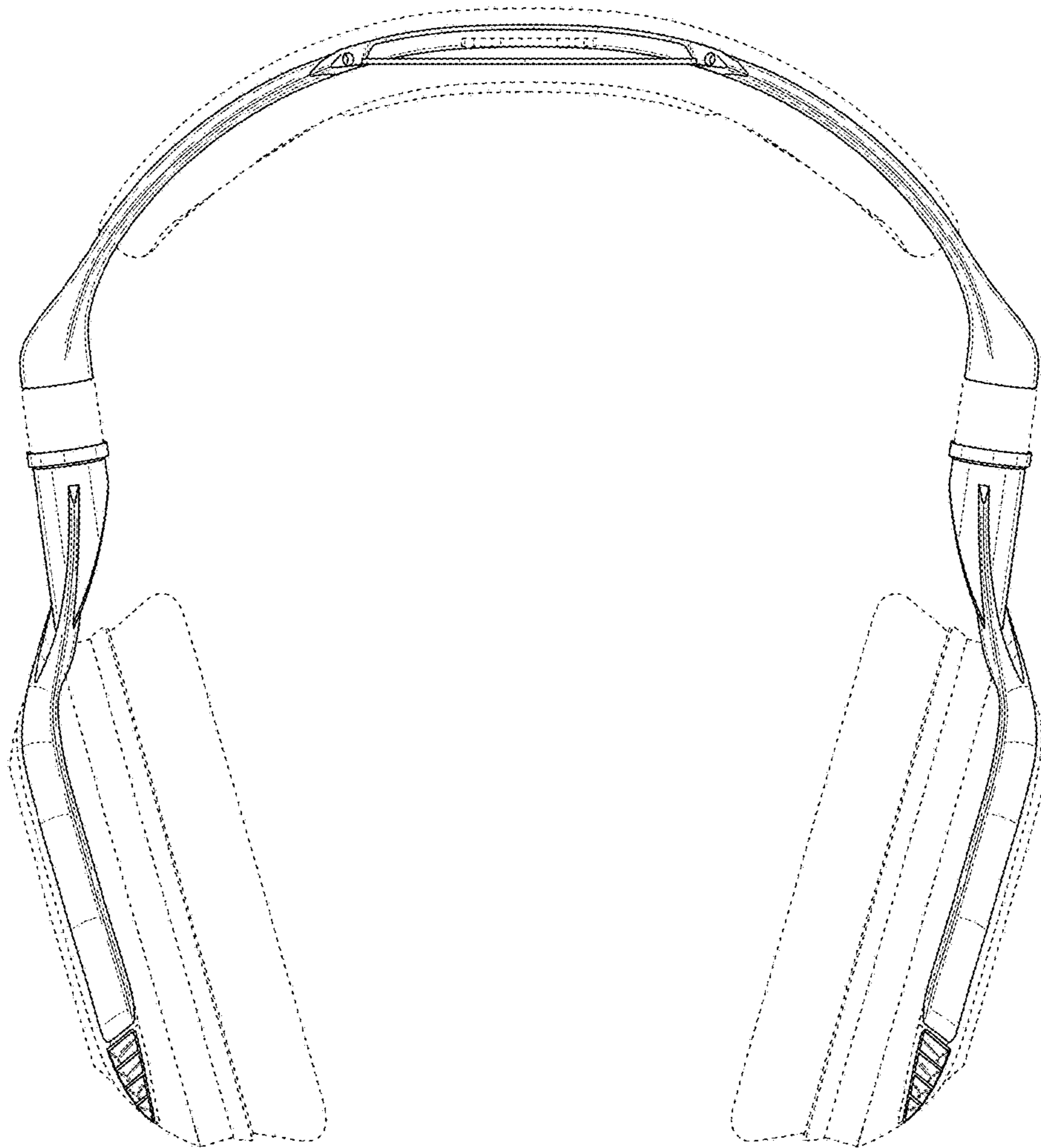
\* cited by examiner



**Fig. 1**



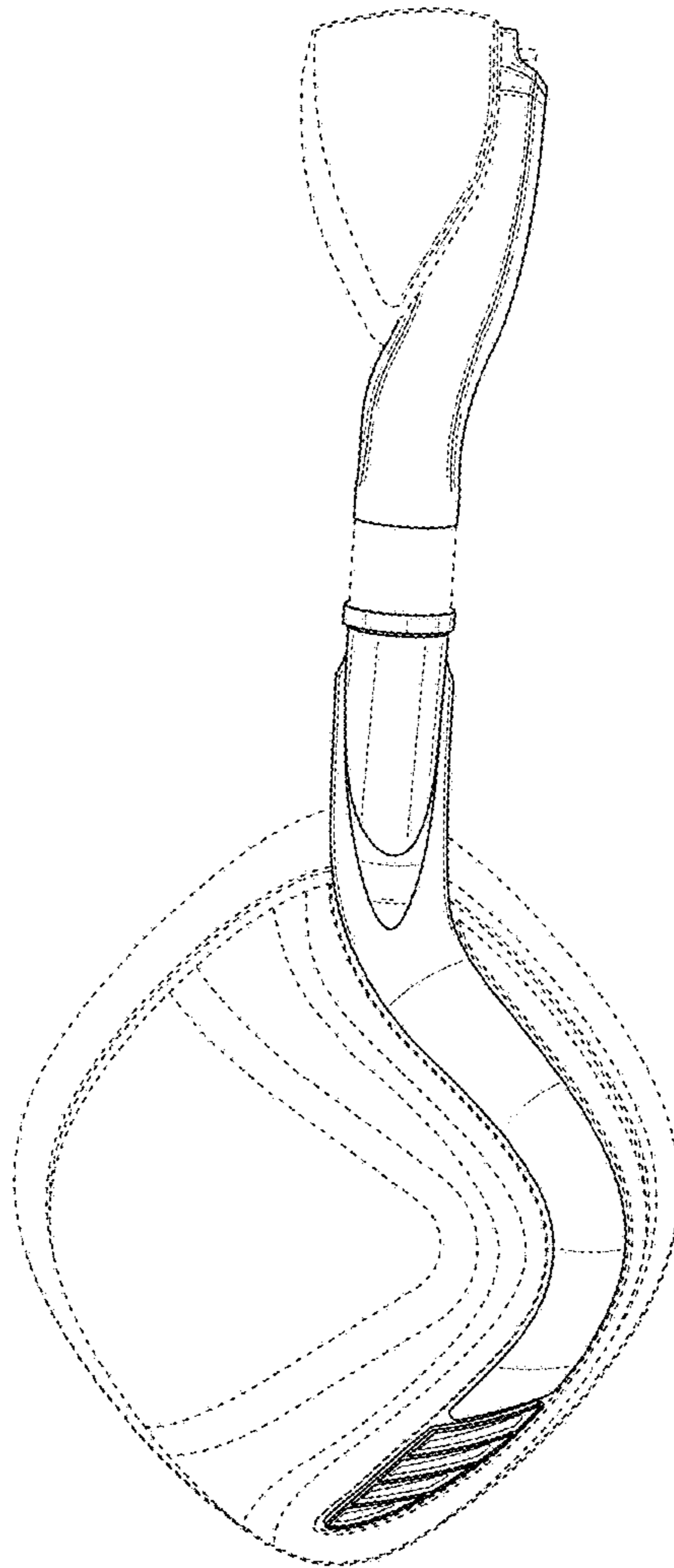
**Fig. 2**



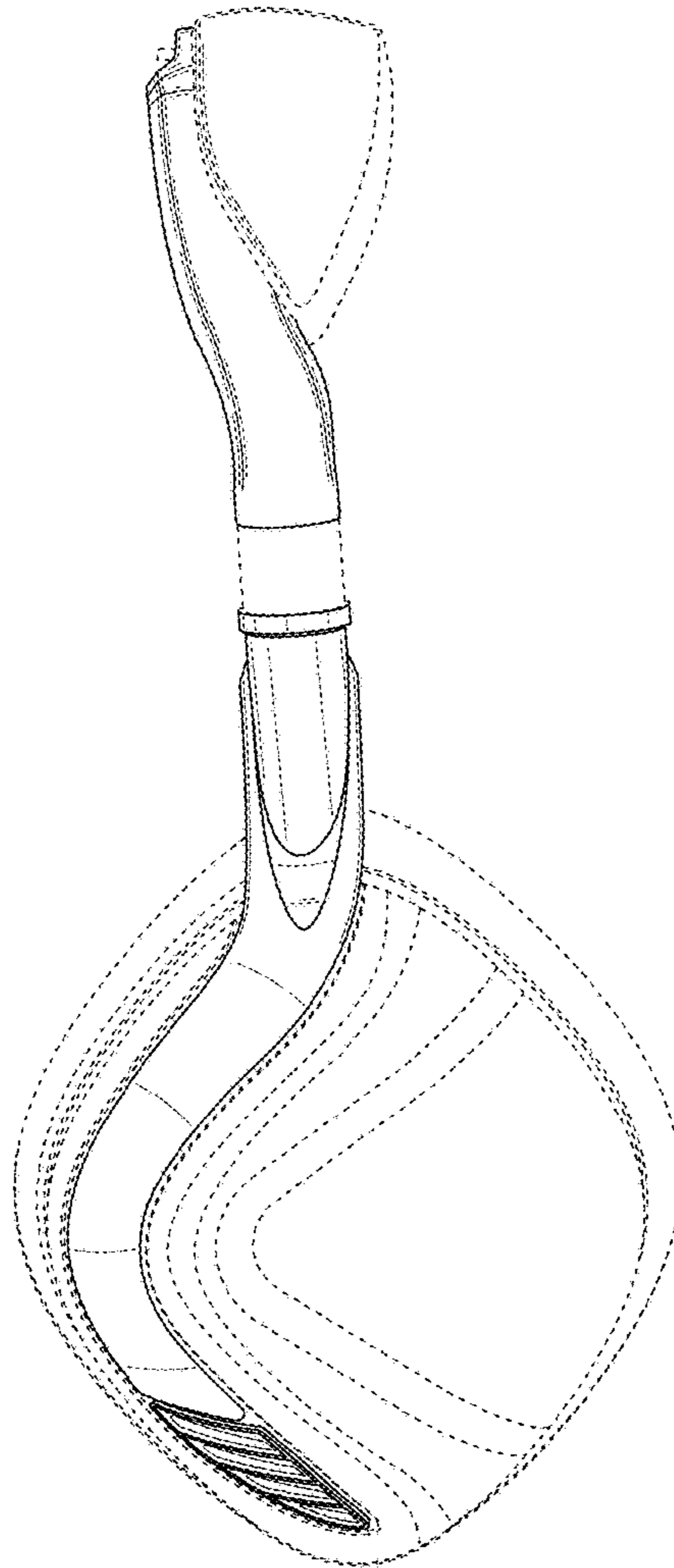
**Fig. 3**



**Fig. 4**

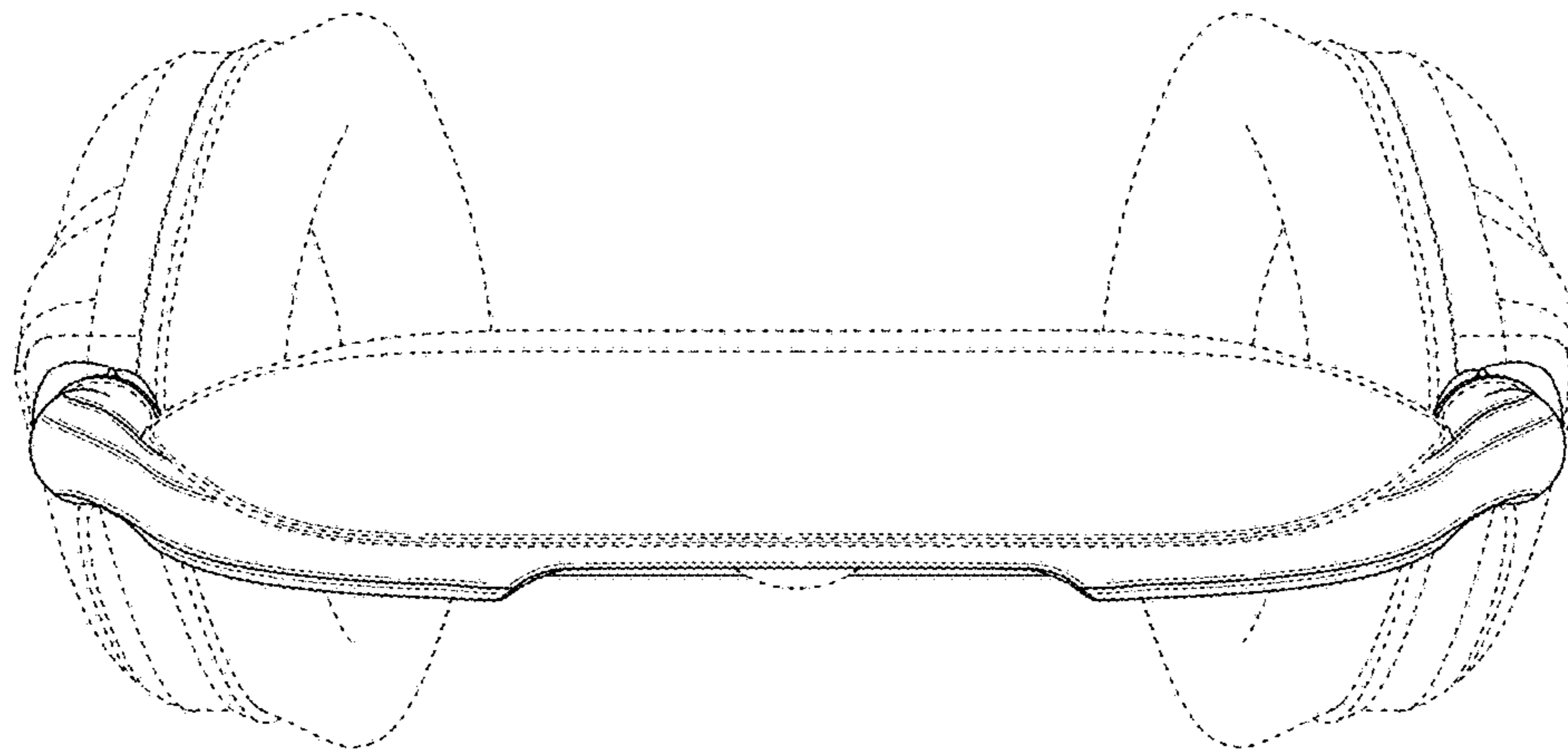


**Fig. 5**

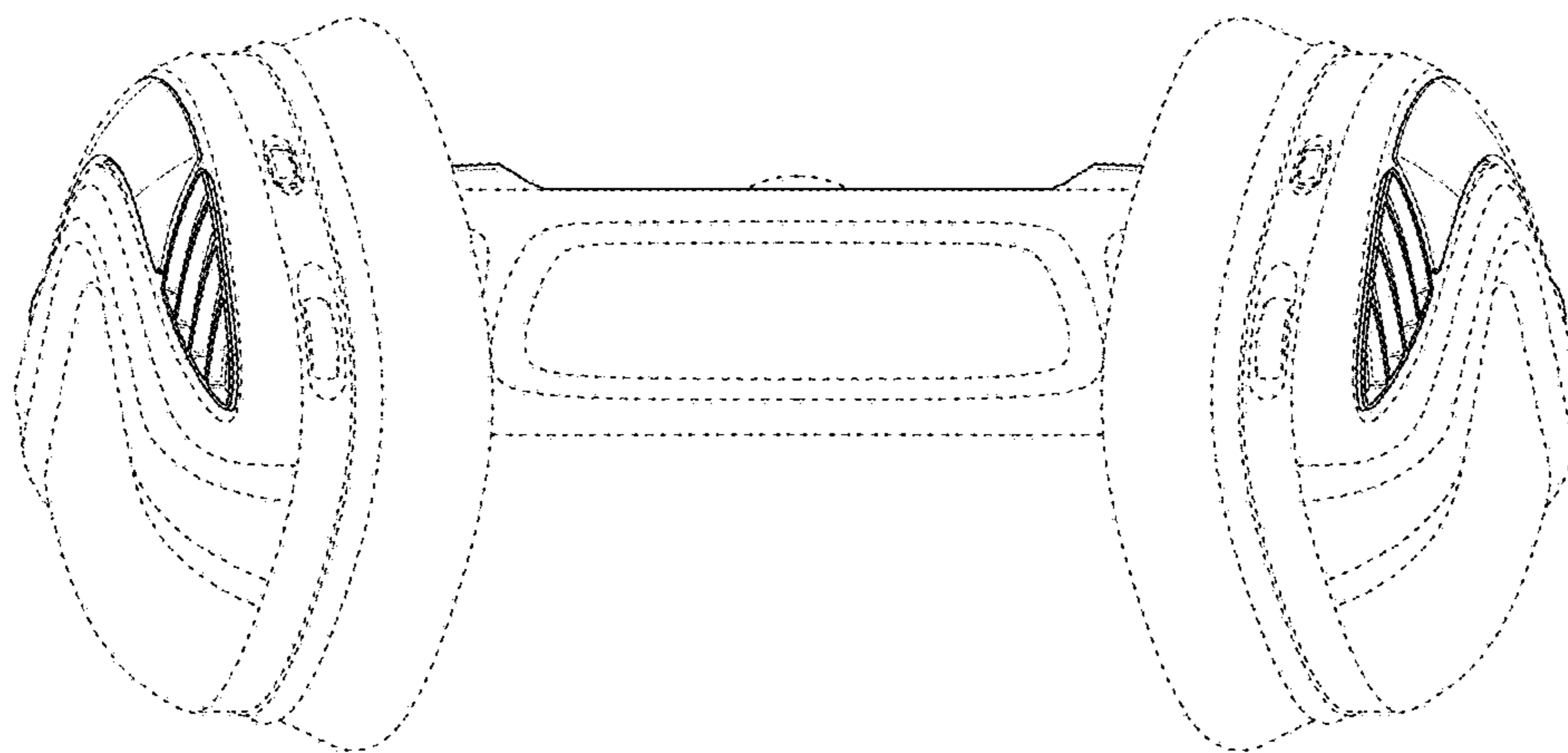


**Fig. 6**





*Fig. 7*



*Fig. 8*