



US00D861632S

(12) **United States Design Patent**  
**Zhong**

(10) **Patent No.:** **US D861,632 S**  
(45) **Date of Patent:** **\*\* Oct. 1, 2019**

(54) **SHELL OF DIGITAL VIDEO RECORDER**

(71) Applicant: **SHENZHEN KEAN DIGITAL CO., LTD.**, Shenzhen (CN)

(72) Inventor: **Dewei Zhong**, Shenzhen (CN)

(73) Assignee: **SHENZHEN KEAN DIGITAL CO., LTD.**, Shenzhen (CN)

(\*\*) Term: **15 Years**

(21) Appl. No.: **29/640,304**

(22) Filed: **Mar. 13, 2018**

(51) **LOC (12) Cl.** ..... **14-01**

(52) **U.S. Cl.**  
USPC ..... **D14/203.1; D14/511**

(58) **Field of Classification Search**  
USPC ..... D14/158, 160–165, 167–168, 172,  
D14/188–189, 191, 203.1–203.6, 204,  
D14/207–216, 217, 218, 226, 249, 299,  
D14/341, 344, 345, 356, 358, 439, 480.1,  
D14/480.3–480.5, 496, 498–505, 510,  
D14/511, 257; D3/215, 218; D13/184  
CPC ..... G06F 1/1613; G06F 1/163; G06F 1/1633;  
G06F 1/1681; G06F 13/10; G06F 13/12;  
H04M 1/0202; H04M 1/05; H04M  
1/6091; H04M 1/6066; H01R 12/00;  
H04B 1/385; H05K 5/00; H05K 5/03;  
H05K 5/04; G11B 33/00; G11B 33/02;  
G11B 33/022; G11B 33/027; G11B  
33/123

See application file for complete search history.

(56) **References Cited**

**U.S. PATENT DOCUMENTS**

D512,036 S \* 11/2005 Wu ..... D14/167  
D512,391 S \* 12/2005 Chiu ..... D14/167

D512,974 S \* 12/2005 Nasrallah ..... D14/502  
D530,695 S \* 10/2006 Park ..... D14/502  
D531,151 S \* 10/2006 Yoshida ..... D14/502  
D537,425 S \* 2/2007 Park ..... D14/502  
D543,532 S \* 5/2007 Isonaga ..... D14/135  
D560,180 S \* 1/2008 Park ..... D14/502  
D681,009 S \* 4/2013 Meng ..... D14/214  
D739,374 S \* 9/2015 Chong ..... D14/188  
D759,629 S \* 6/2016 Kusano ..... D14/214  
D760,685 S \* 7/2016 Sugiura ..... D14/204  
D768,108 S \* 10/2016 Ravat ..... D14/203.1  
D768,109 S \* 10/2016 Ohno ..... D14/204  
D776,072 S \* 1/2017 Kim ..... D14/126  
D800,693 S \* 10/2017 Sugiura ..... D14/214  
D800,694 S \* 10/2017 Sugiura ..... D14/214  
D817,308 S \* 5/2018 Sugiura ..... D14/214  
D835,110 S \* 12/2018 Smith ..... D14/439  
D841,054 S \* 2/2019 Ravat ..... D14/511

\* cited by examiner

*Primary Examiner* — Jeffrey D Asch  
*Assistant Examiner* — Rebekah A Caruso

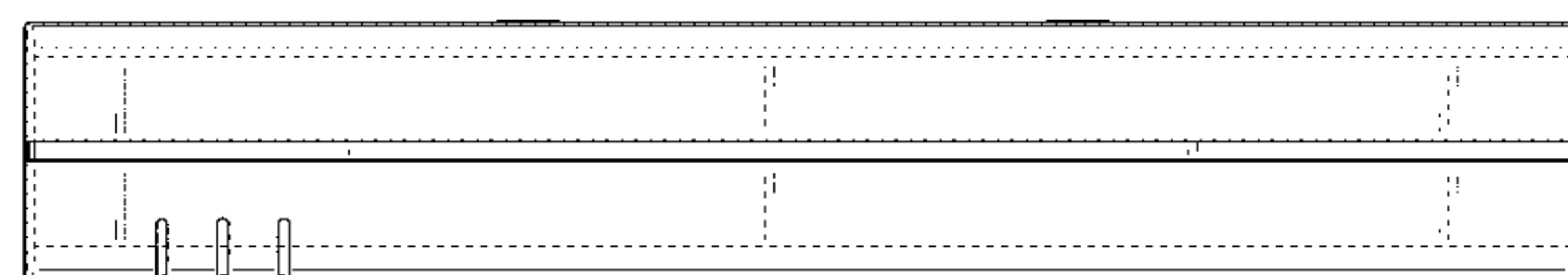
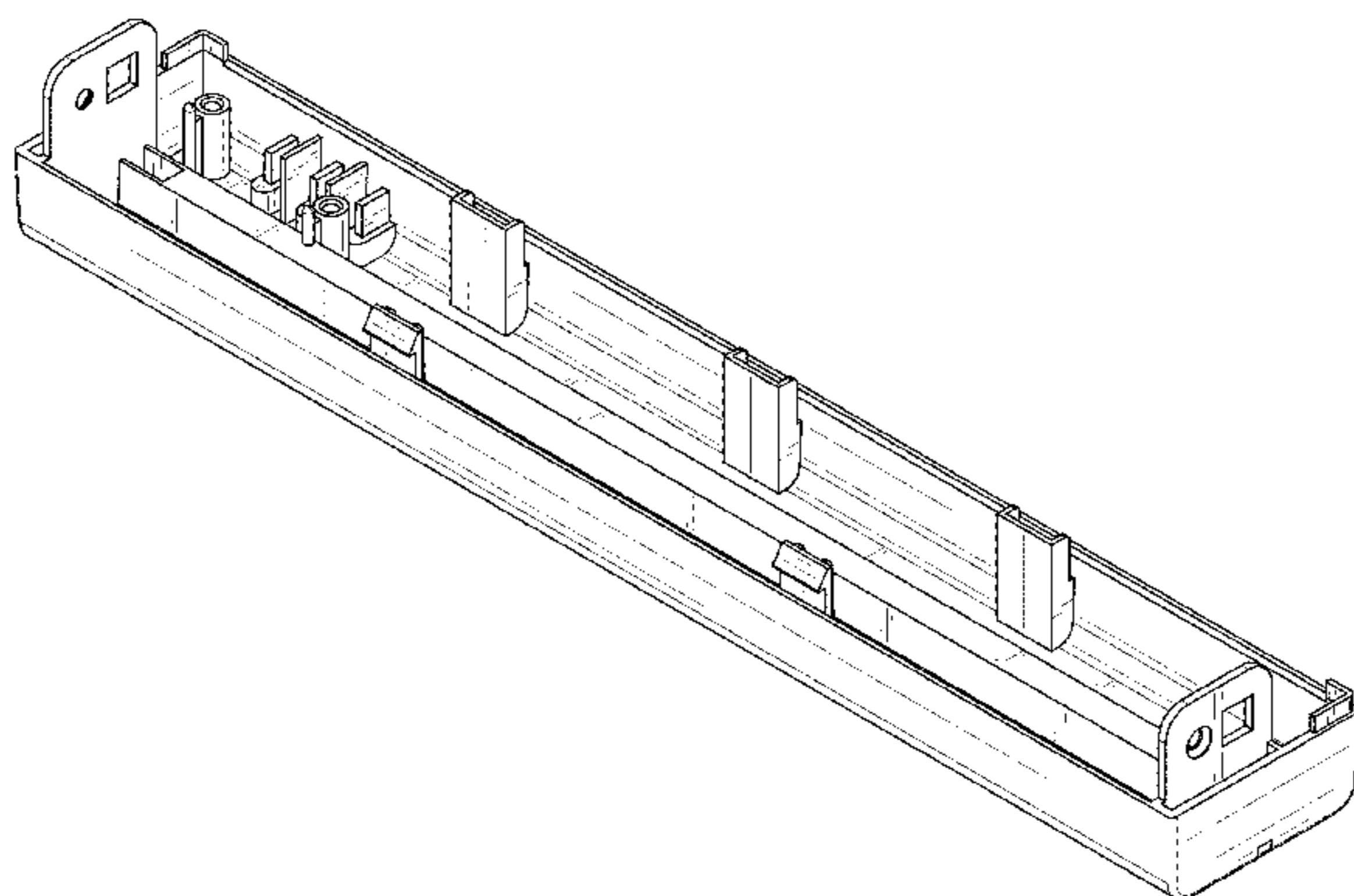
(57) **CLAIM**

The ornamental design for a shell of digital video recorder, as shown.

**DESCRIPTION**

FIG. 1 is a front, upper, and right isometric view of a shell of digital video recorder showing the new design;  
FIG. 2 is a front elevation view thereof;  
FIG. 3 is a rear elevation view thereof;  
FIG. 4 is a right side elevation view thereof;  
FIG. 5 is a left side elevation view thereof;  
FIG. 6 is a top plan view thereof; and,  
FIG. 7 is a bottom plan view thereof.

**1 Claim, 6 Drawing Sheets**



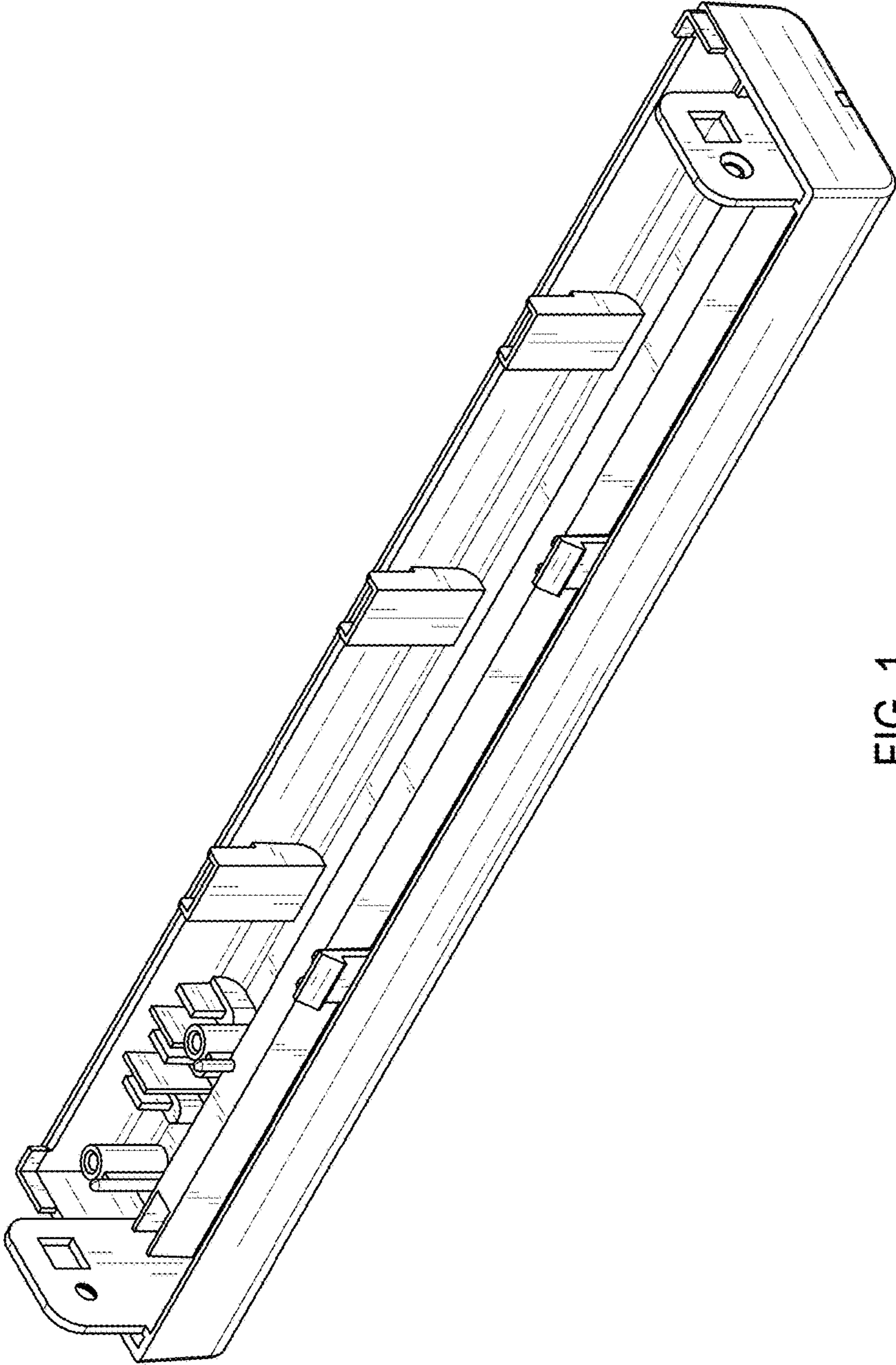


FIG. 1

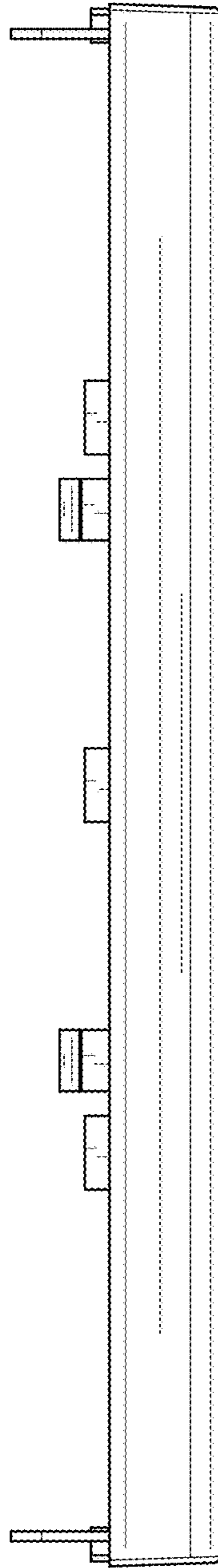


FIG. 2

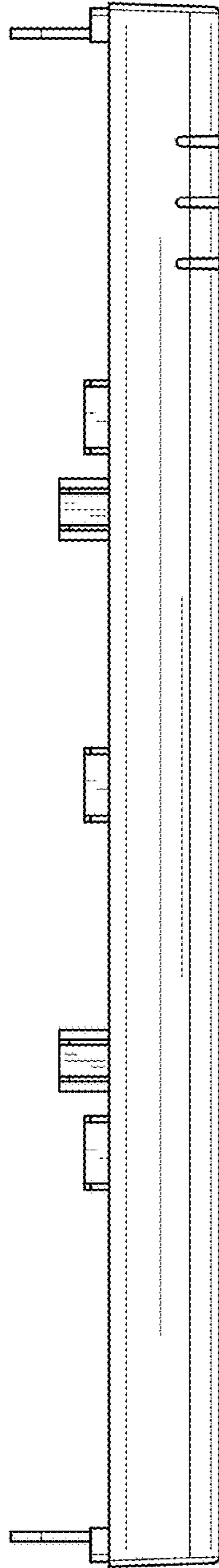


FIG. 3

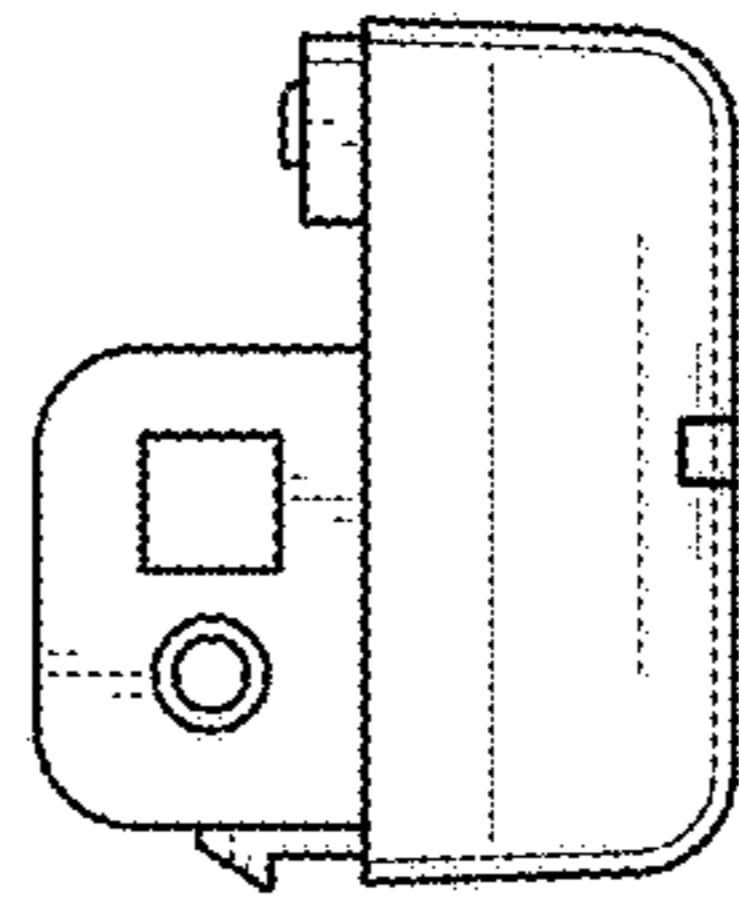


FIG. 5

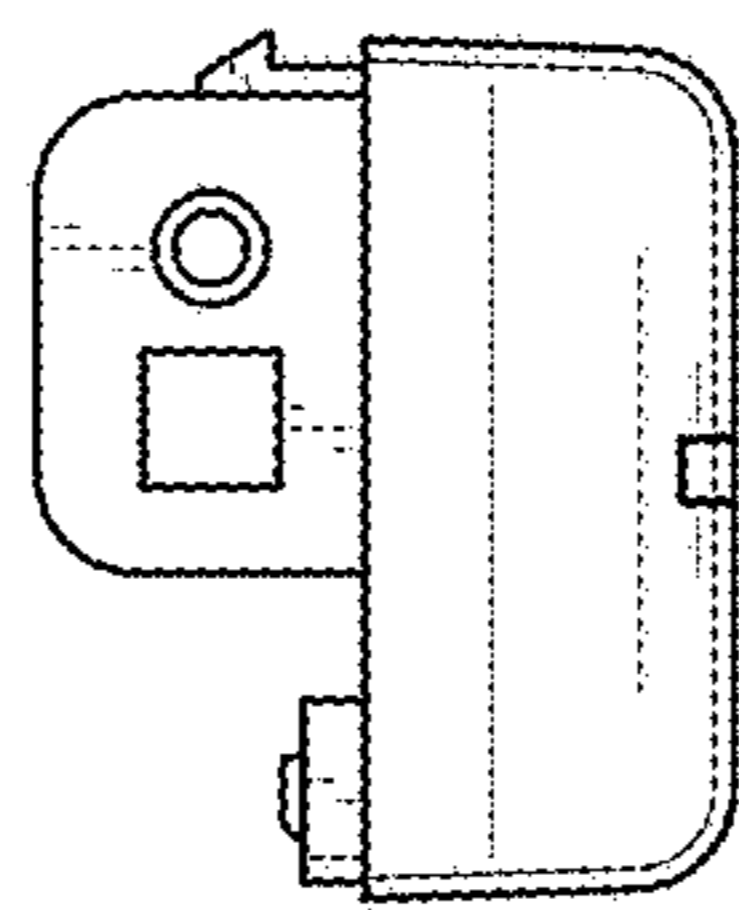


FIG. 4

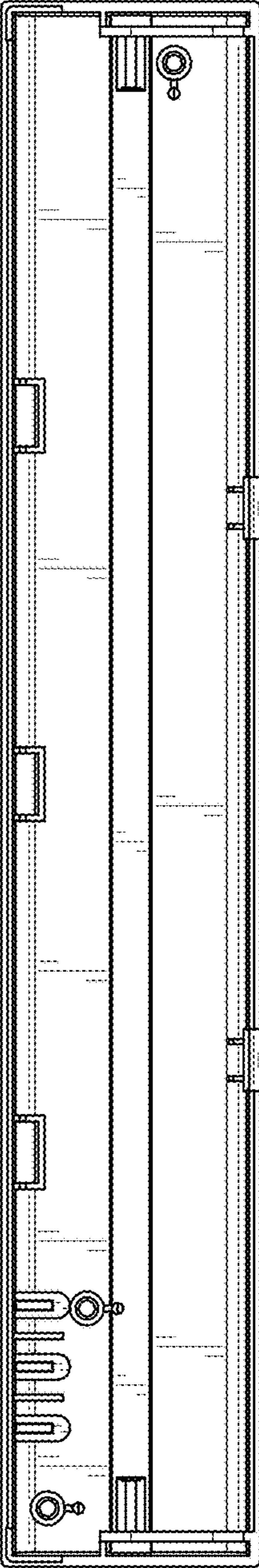


FIG. 6

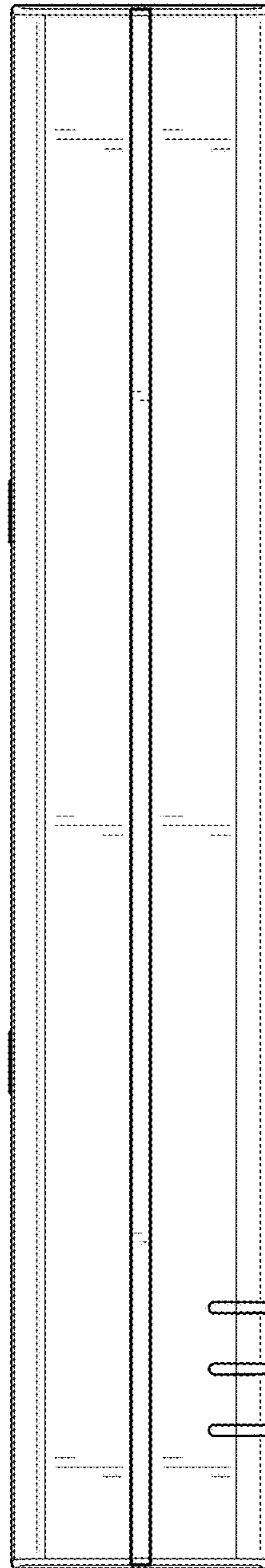


FIG. 7