



US00D861626S

(12) **United States Design Patent** (10) **Patent No.:** **US D861,626 S**
Wu et al. (45) **Date of Patent:** **** Oct. 1, 2019**

(54) **DISPLAY WITH STAND**

(71) Applicant: **Dell Products L.P.**, Round Rock, TX (US)
(72) Inventors: **Tung Chen Wu**, Singapore (SG);
Toshiyuki Tanaka, Mendham, NJ (US);
Chun Long Goh, Singapore (SG)
(73) Assignee: **Dell Products L.P.**, Round Rock, TX (US)

(**) Term: **15 Years**

(21) Appl. No.: **29/647,255**

(22) Filed: **May 11, 2018**

(51) **LOC (12) Cl.** **14-03**

(52) **U.S. Cl.**
USPC **D14/126**

(58) **Field of Classification Search**

USPC D14/125-129, 239, 251-253, 335-337,
D14/371-382, 432, 439-441, 447-452,
D14/457, 492; D8/349, 354, 363, 373,
D8/376, 380; 348/180, 184, 325, 739,
348/825; D12/407, 415; D3/218;
341/12
CPC G06F 3/0412; G06F 3/0488; G06F 3/016;
G06F 3/011; G06F 3/038; G06F 3/03543;
G06F 3/0338; G06F 3/0202; G06F
3/0219; G06F 3/0213; G06F 1/1616;
G06F 3/023; G06F 3/04883; G02F
1/13338; G02F 1/1313; G02F 1/1333;
G02F 1/135; G02F 1/132; G02F
1/133308; G02F 1/134309; G02F
1/13718; G09G 3/3648; G06K 15/1252;
B41J 2/465; G03F 7/70291; G02B
27/0172; G02B 5/30; G02B 2027/0118;
G02B 27/0101; F16M 13/02; F16M
13/00; F16M 11/10; F16M 11/04; F16M
2200/08; F16M 11/2021; A47B 21/0314;
A47B 88/044; A47B 2021/0335; H02G
3/126; F16B 47/00; F16B 47/006; A47G
1/17; A47K 2201/00

See application file for complete search history.

(56) **References Cited**

U.S. PATENT DOCUMENTS

D708,157 S * 7/2014 Park D14/126
D778,855 S * 2/2017 Lee D14/126
D787,462 S * 5/2017 Shiono D14/126
D799,443 S * 10/2017 Park D14/126
D805,490 S * 12/2017 Lim D14/126
D806,666 S * 1/2018 Kim D14/126

(Continued)

OTHER PUBLICATIONS

U.S. Appl. No. 29/609,301, filed Jun. 29, 2017, entitled Display Device.

(Continued)

Primary Examiner — Katie Jane Stofko

(74) *Attorney, Agent, or Firm* — Zagorin Cave LLP;
Robert W. Holland

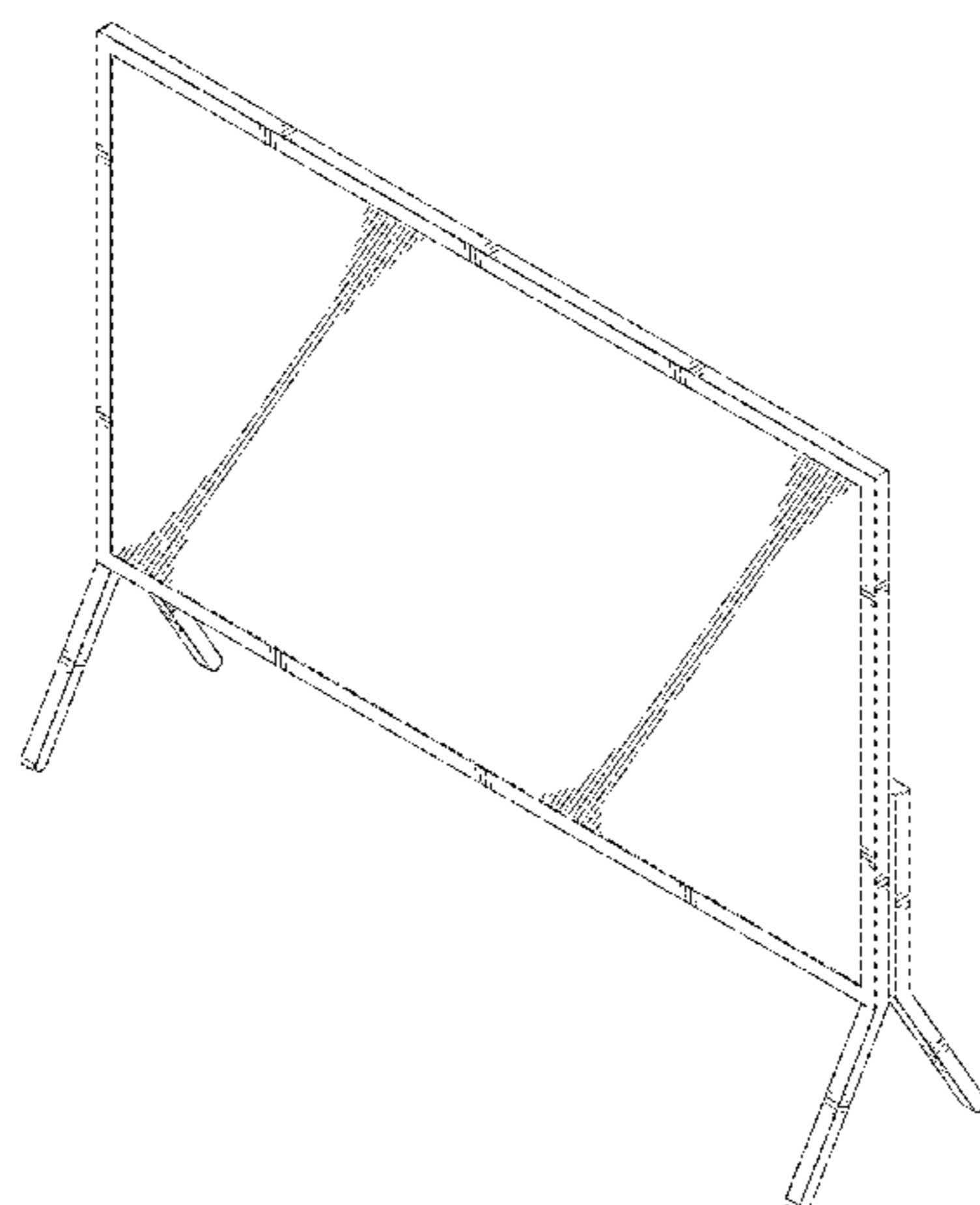
(57) **CLAIM**

We claim the ornamental design for a display with stand, as shown and described.

DESCRIPTION

FIG. 1 is a front perspective view of the display with stand comprising the present invention;
FIG. 2 is a front elevation view thereof;
FIG. 3 is a rear elevation view thereof;
FIG. 4 is a right side view thereof;
FIG. 5 is a left side view thereof;
FIG. 6 is a top view thereof;
FIG. 7 is a bottom view thereof; and,
FIG. 8 is a rear perspective view thereof.
Broken lines shown in the drawings illustrate portions of the display with stand, and form no part of the claimed design.

1 Claim, 6 Drawing Sheets



(56)

References Cited

U.S. PATENT DOCUMENTS

D818,979	S	*	5/2018	Won	D14/126
D819,584	S	*	6/2018	Won	D14/126
D823,824	S	*	7/2018	Won	D14/126
D835,058	S	*	12/2018	Kim	D14/126
D835,059	S	*	12/2018	Kim	D14/126
D837,757	S	*	1/2019	Kim	D14/126
D838,720	S	*	1/2019	Grundstrom	D14/374

OTHER PUBLICATIONS

U.S. Appl. No. 29/601,569, filed Apr. 24, 2017, entitled Display Device.

U.S. Appl. No. 29/611,003, filed Jul. 18, 2017, entitled Display.

* cited by examiner

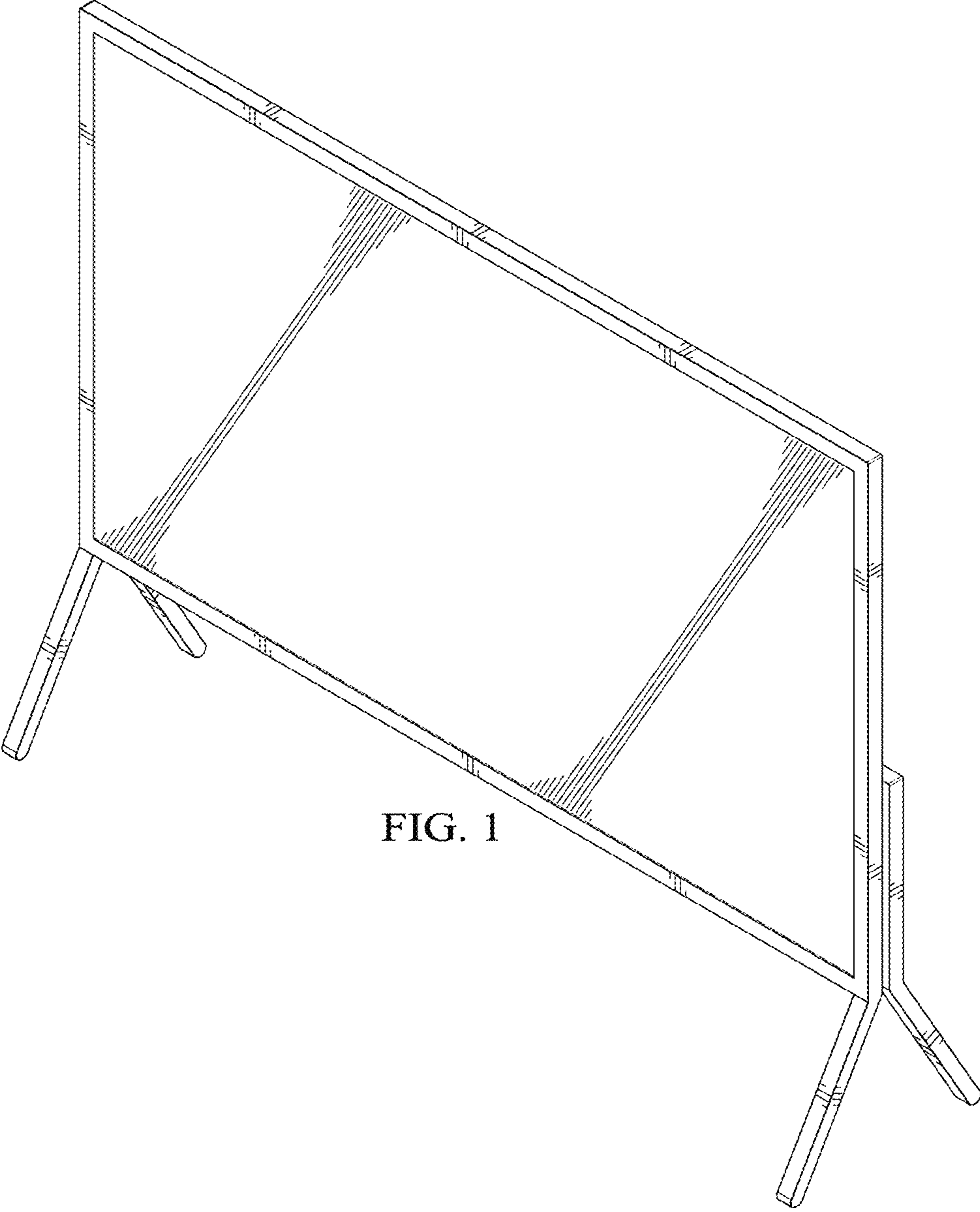


FIG. 1



FIG. 2

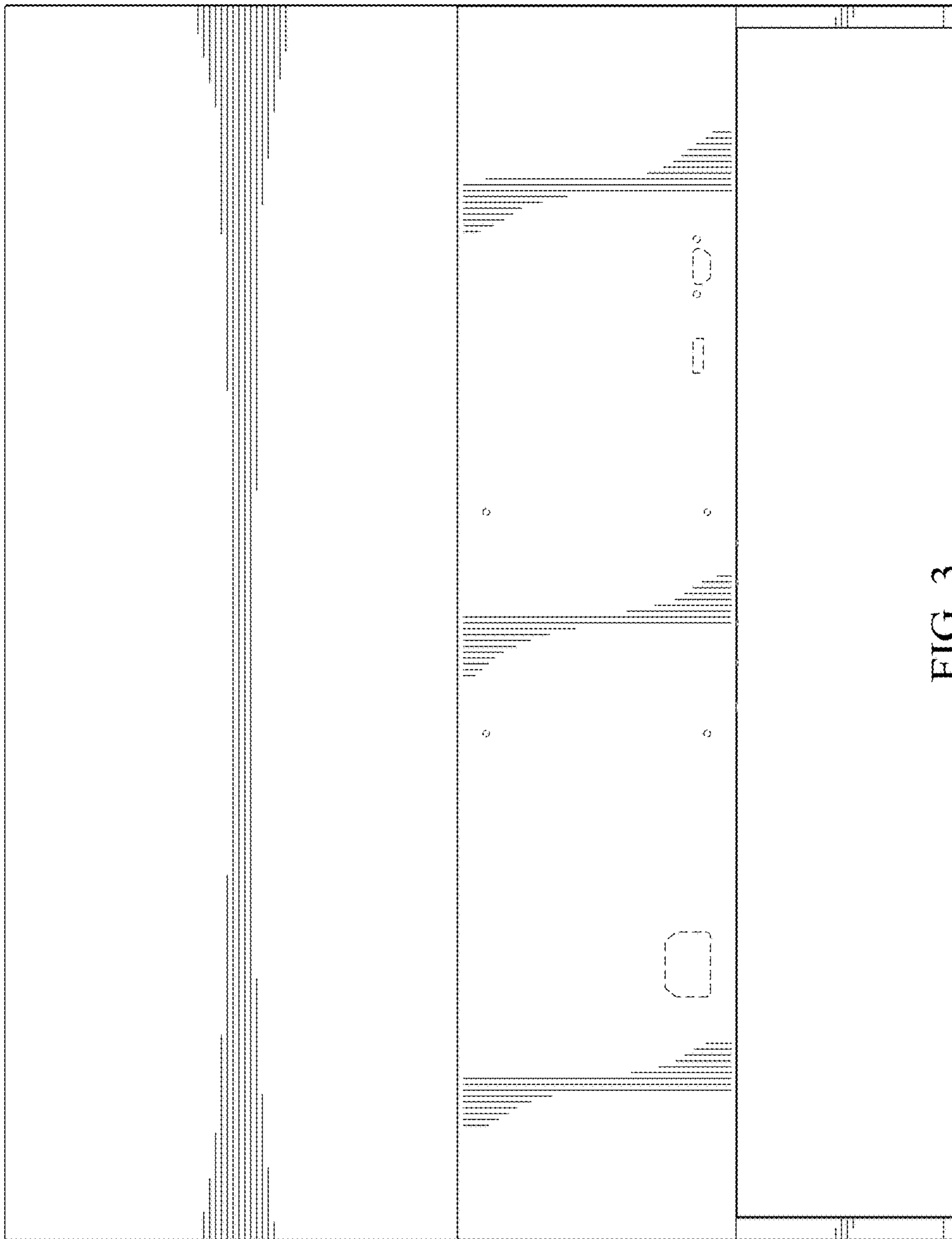


FIG. 3

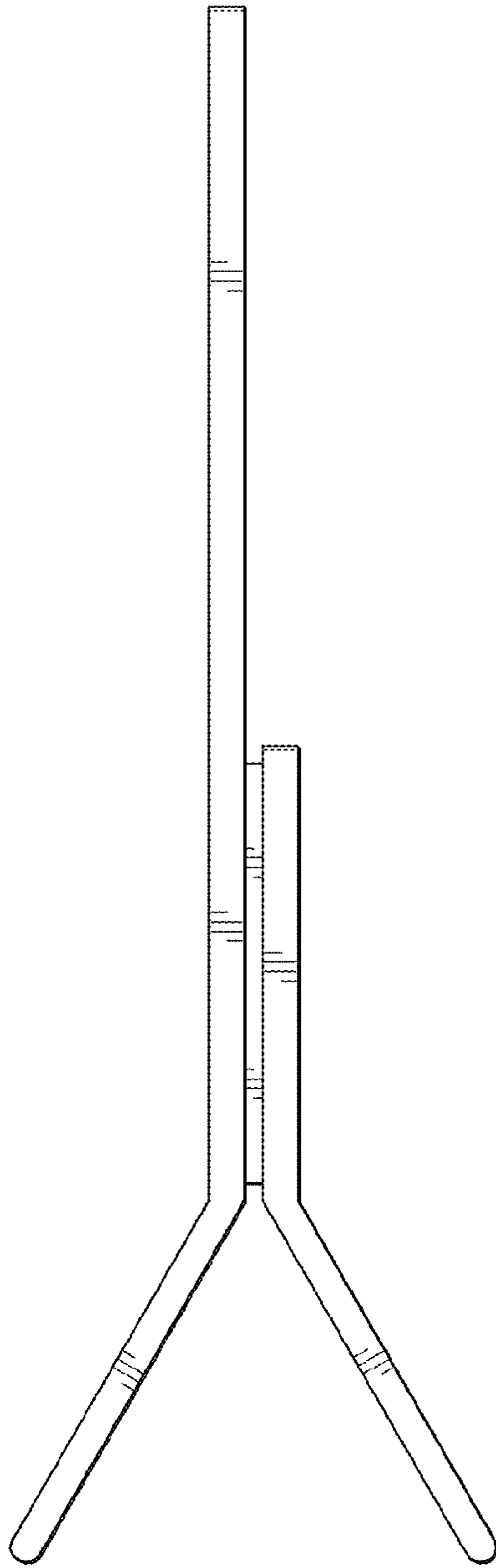


FIG. 4

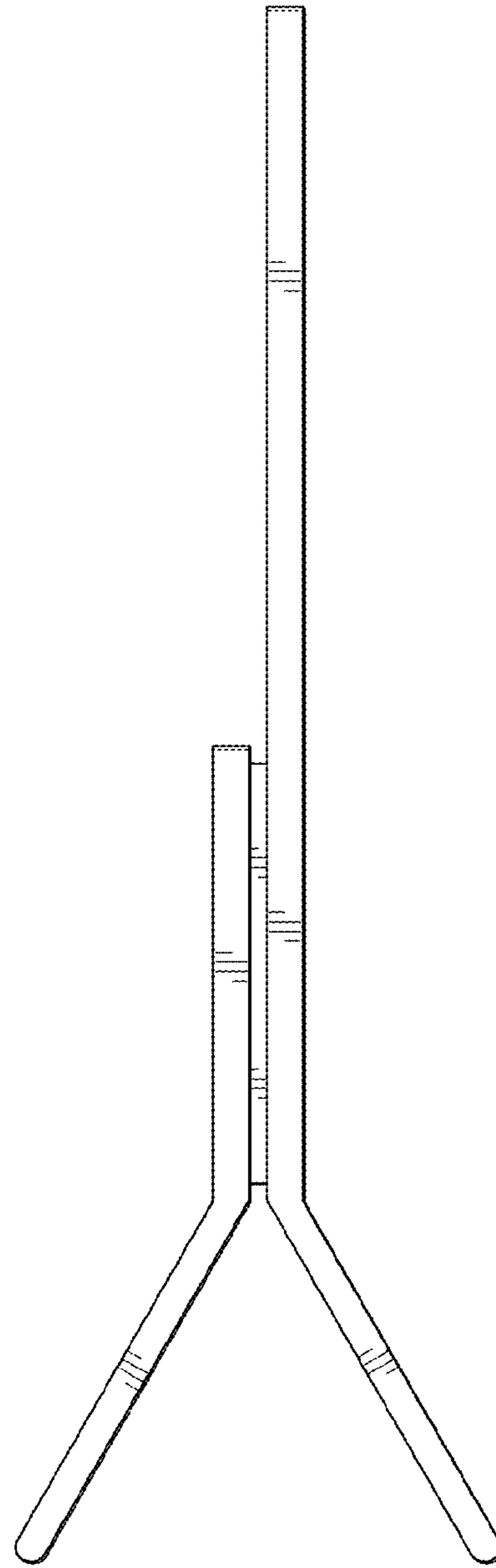


FIG. 5

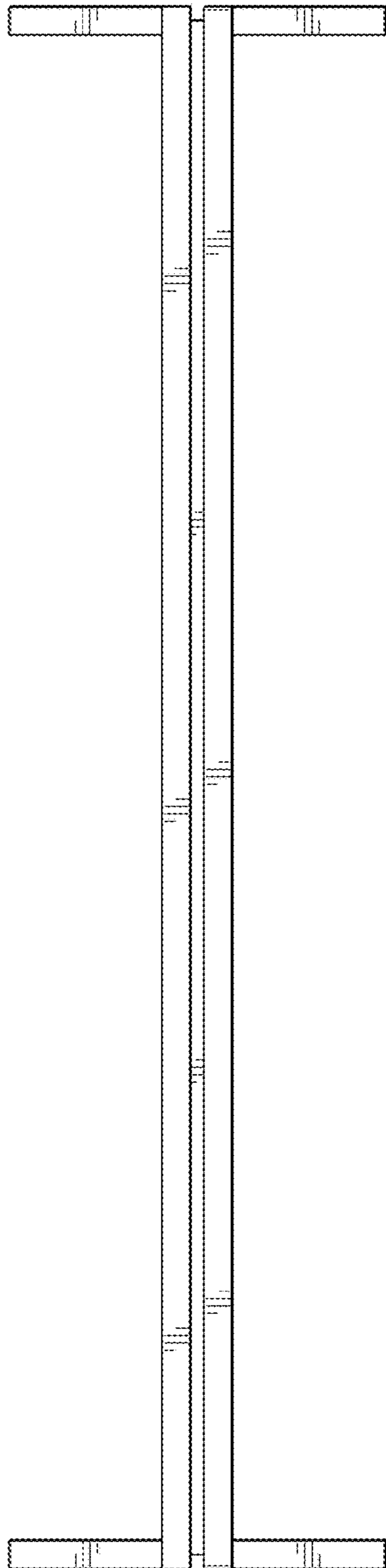


FIG. 6

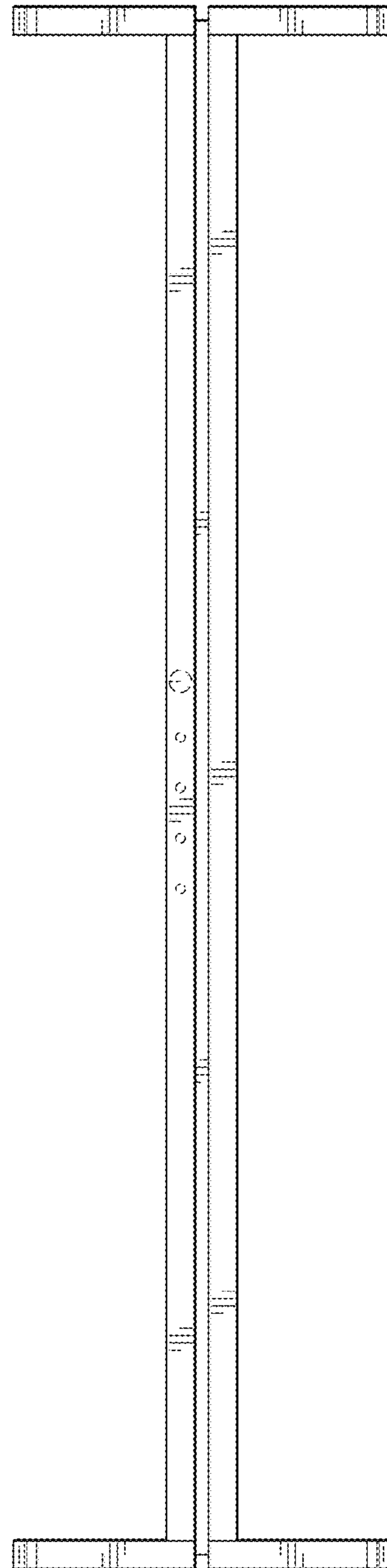


FIG. 7

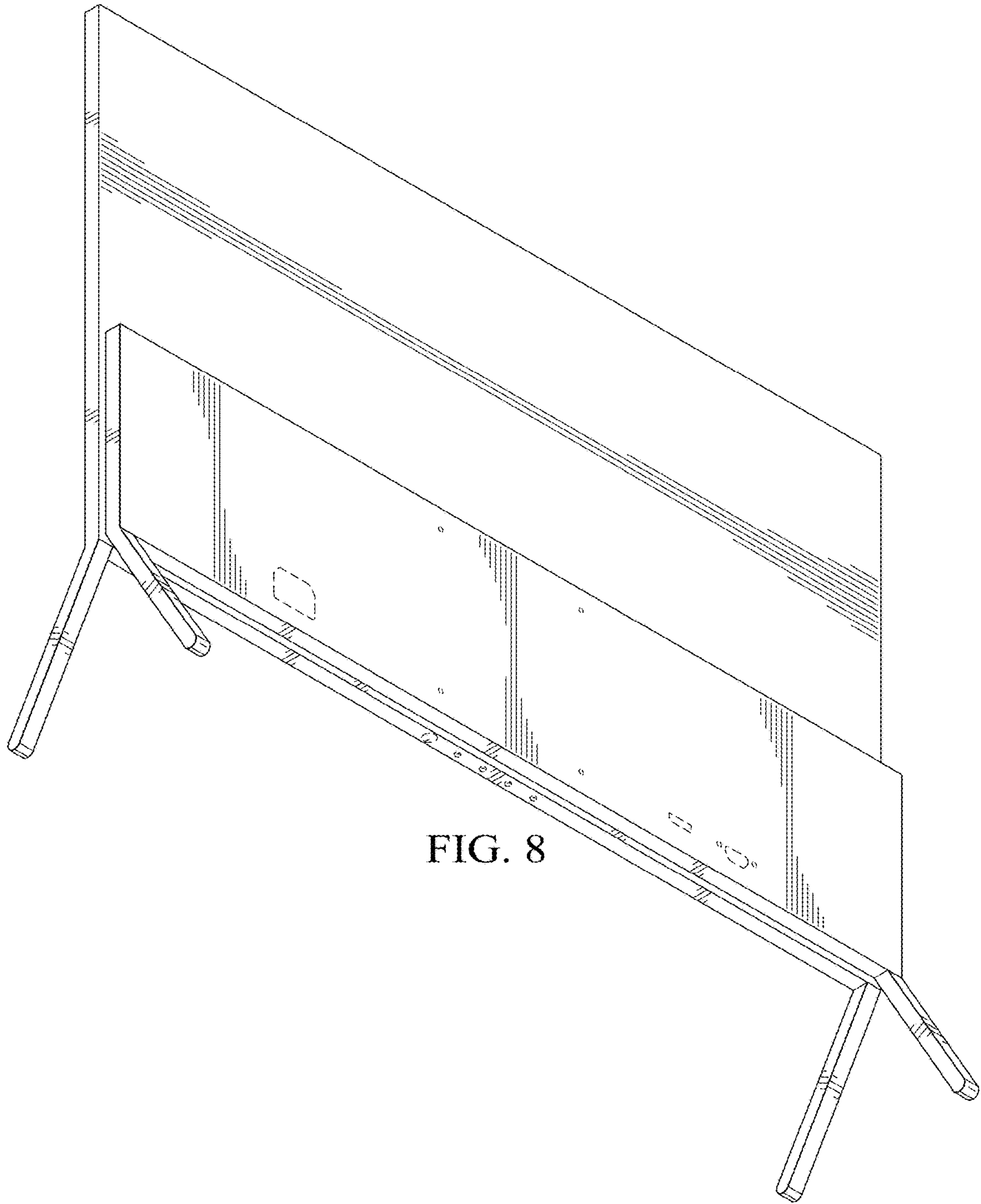


FIG. 8