



US00D861623S

(12) **United States Design Patent**
Odryna et al.

(10) **Patent No.:** **US D861,623 S**

(45) **Date of Patent:** **** *Oct. 1, 2019**

(54) **SET TOP BOX**

(71) Applicant: **Layer3 TV, Inc.**, Denver, CO (US)

(72) Inventors: **Vic Odryna**, Boston, MA (US); **Eric Kuhn**, Los Angeles, CA (US); **Jeffrey Binder**, Denver, CO (US); **Dave Fellows**, Boston, MA (US); **Andre De Salis**, Pasadena, CA (US); **Eduardo Salazar**, Reseda, CA (US); **John Schoenbeck**, Calabasas, CA (US); **Timothy R. Swiss**, Carlsbad, CA (US)

(73) Assignee: **T-MOBILE USA, INC.**, Bellevue, WA (US)

(*) Notice: This patent is subject to a terminal disclaimer.

(**) Term: **15 Years**

(21) Appl. No.: **29/618,499**

(22) Filed: **Sep. 21, 2017**

Related U.S. Application Data

(60) Continuation of application No. 29/587,349, filed on Dec. 13, 2016, now Pat. No. Des. 816,624, which is a division of application No. 29/533,075, filed on Jul. 14, 2015, now Pat. No. Des. 777,126.

(51) **LOC (12) Cl.** **14-03**

(52) **U.S. Cl.**
USPC **D14/125**

(58) **Field of Classification Search**

USPC D14/125, 357-358, 496, 188, 242, 432;
D13/184; 348/10, 460, 706, 731;
340/825.03; 455/6.1, 6.2; 312/223.1, 7.2
CPC H04N 21/00; H04N 21/20; H04N 21/40
See application file for complete search history.

(56) **References Cited**

U.S. PATENT DOCUMENTS

D513,617 S	1/2006	Tierney	
D525,968 S	8/2006	Peng	
D526,648 S	8/2006	Andre	
D601,583 S	10/2009	Andre	
D650,394 S	12/2011	Seoc	
D692,849 S	11/2013	Choi	
D699,694 S	2/2014	Son	
D745,480 S *	12/2015	Mathews	D14/125
D752,529 S *	3/2016	Loretan	D14/125
D765,073 S *	8/2016	Niizawa	D14/356

* cited by examiner

Primary Examiner — Randall H Gholson

(74) *Attorney, Agent, or Firm* — Brownstein Hyatt Farber Schreck, LLP

(57) **CLAIM**

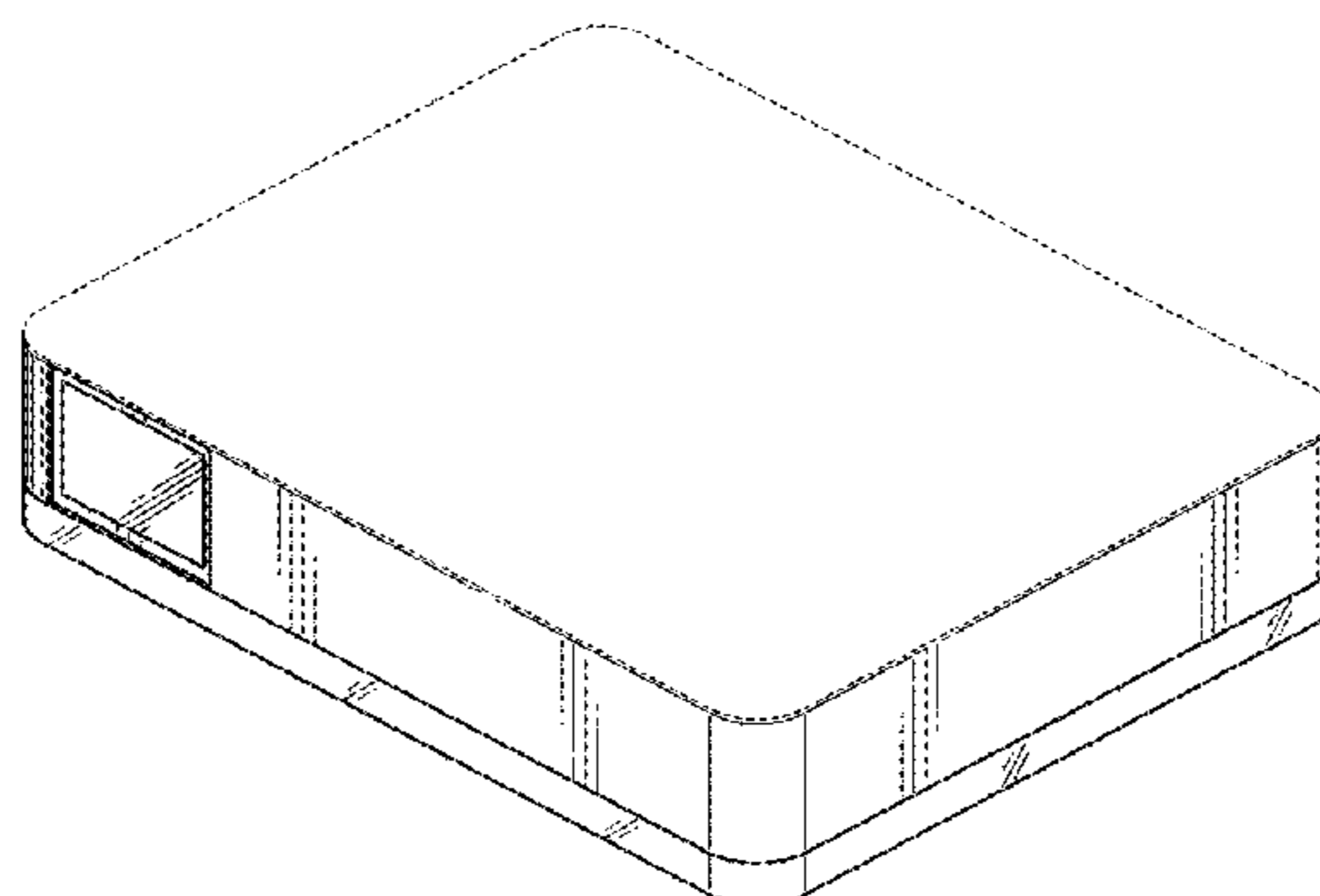
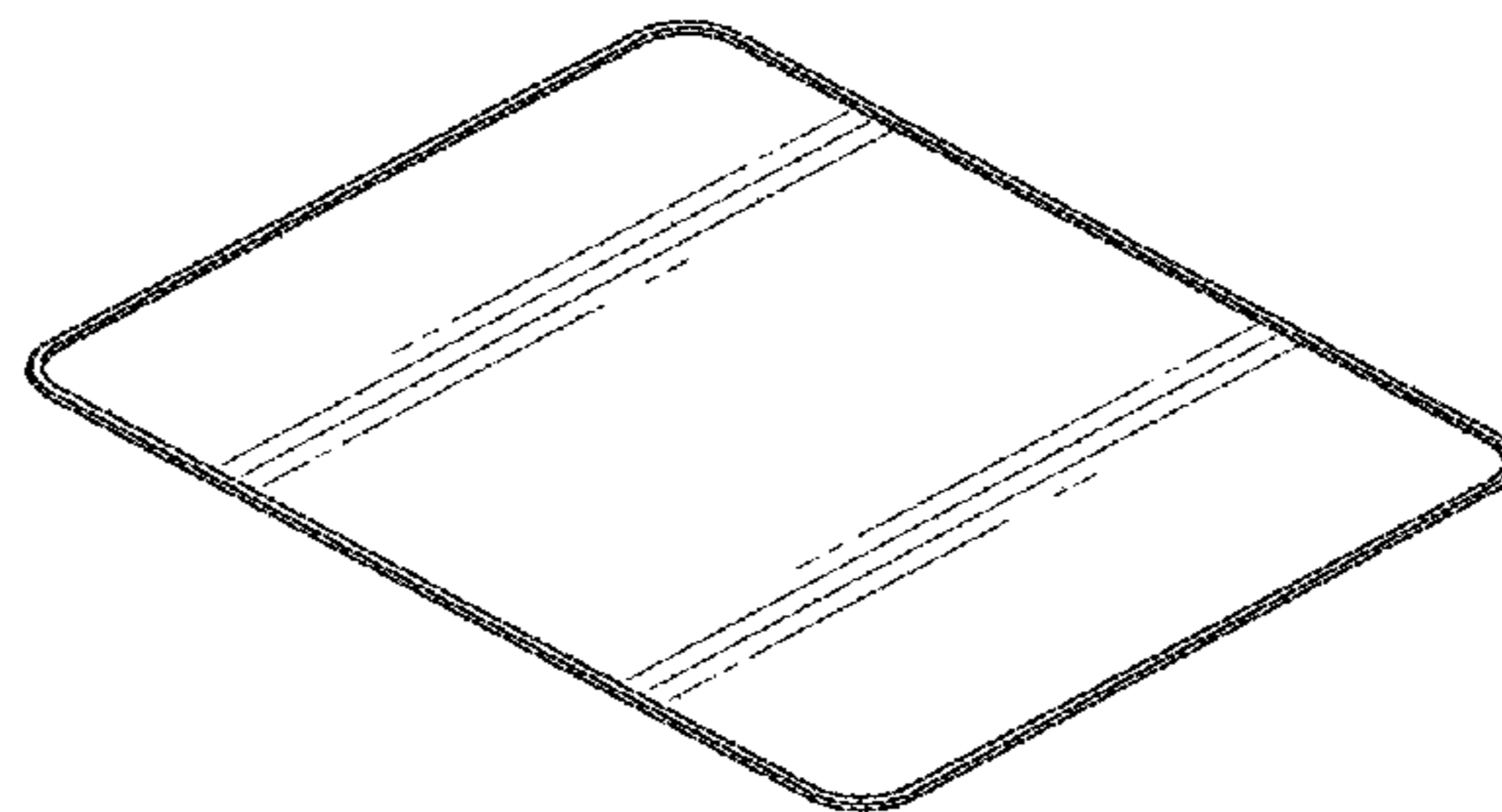
We claim the ornamental design for a set top box, as shown and described.

DESCRIPTION

FIG. 1 is a perspective view of a set top box having a removable upper surface insert; and, FIG. 2 depicts the set top box with the removable upper surface insert removed.

The broken lines depict portions of the set top box that form no part of the claimed design.

1 Claim, 2 Drawing Sheets



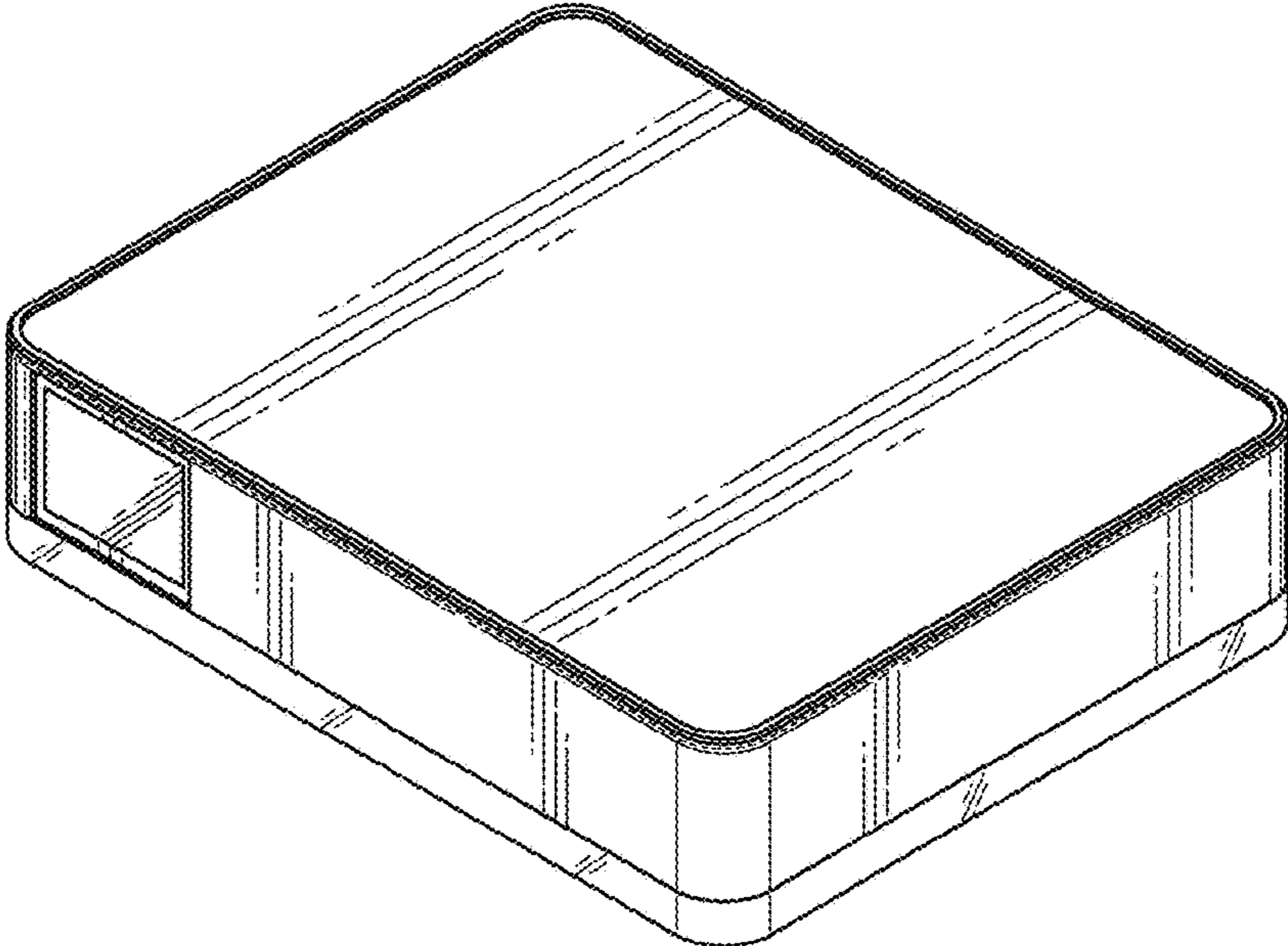


FIG. 1

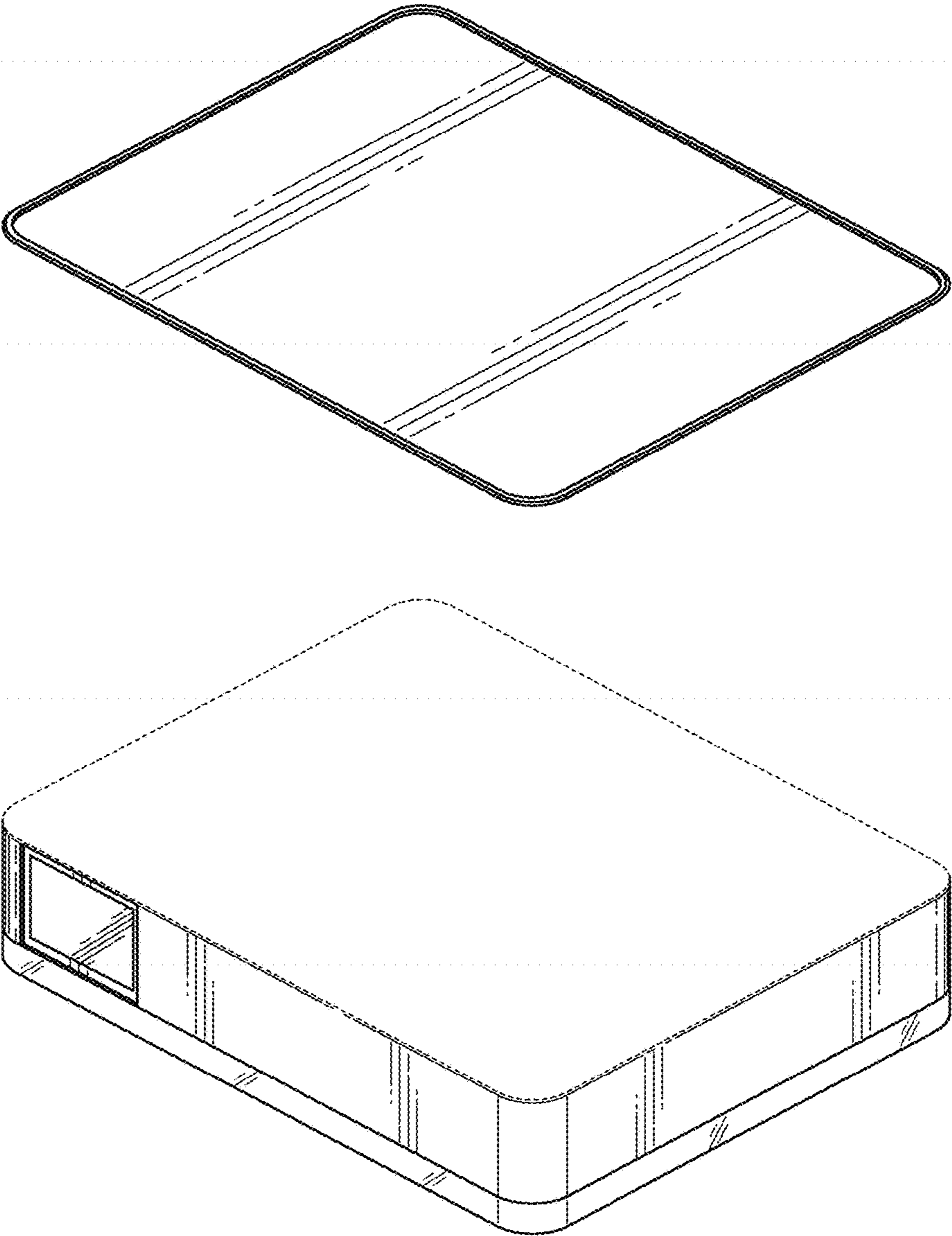


FIG. 2