



US00D861622S

(12) **United States Design Patent**
Lawrence et al.

(10) **Patent No.:** **US D861,622 S**
(45) **Date of Patent:** **** Oct. 1, 2019**

- (54) **PROTECTIVE CASING FOR CABLES, WIRES, AND THE LIKE**
- (71) Applicant: **Molex, LLC**, Lisle, IL (US)
- (72) Inventors: **Tommy Lawrence**, Little Rock, AR (US); **Robert Dillman**, Santa Clara, CA (US); **Danny P. Cantrell**, Conway, AR (US); **Michael Davis**, Mayflower, AR (US)
- (73) Assignee: **Molex, LLC**, Lisle, IL (US)
- (**) Term: **15 Years**
- (21) Appl. No.: **29/642,491**
- (22) Filed: **Mar. 29, 2018**
- (51) **LOC (12) Cl.** **13-03**
- (52) **U.S. Cl.**
USPC **D13/184**
- (58) **Field of Classification Search**
USPC D13/184, 153-156; 439/470, 471
CPC H01R 13/447; H01R 13/4538; H01R 13/4534; H01R 13/44
See application file for complete search history.

(56) **References Cited**

U.S. PATENT DOCUMENTS

1,627,286	A *	5/1927	Ile	H01R 13/447
					439/686
4,453,353	A *	6/1984	Killop	E04H 12/20
					16/DIG. 13
4,643,505	A *	2/1987	House	H01R 13/6392
					174/92
5,139,429	A *	8/1992	Herman	H01R 13/60
					439/133
D332,940	S *	2/1993	Finlay	D13/154
5,217,387	A *	6/1993	Hull	H01R 13/6392
					439/367

5,259,782	A *	11/1993	Giffin	H01R 13/6392
					439/314
5,584,720	A *	12/1996	Elswick	H01R 13/6392
					439/368
5,713,753	A *	2/1998	Bayer	H01R 13/6392
					439/369
D407,377	S *	3/1999	Landerholm	D13/154
D408,365	S *	4/1999	Sanders	D13/153
6,220,893	B1 *	4/2001	Stephan	H01R 4/30
					439/519
D464,325	S *	10/2002	Peters	D13/156
D473,524	S *	4/2003	Koehler	D13/156
D508,232	S *	8/2005	Suckle	D13/156

(Continued)

Primary Examiner — Janice Hallmark
Assistant Examiner — Harold E Blackwell, II
(74) *Attorney, Agent, or Firm* — Banner & Witcoff, Ltd.

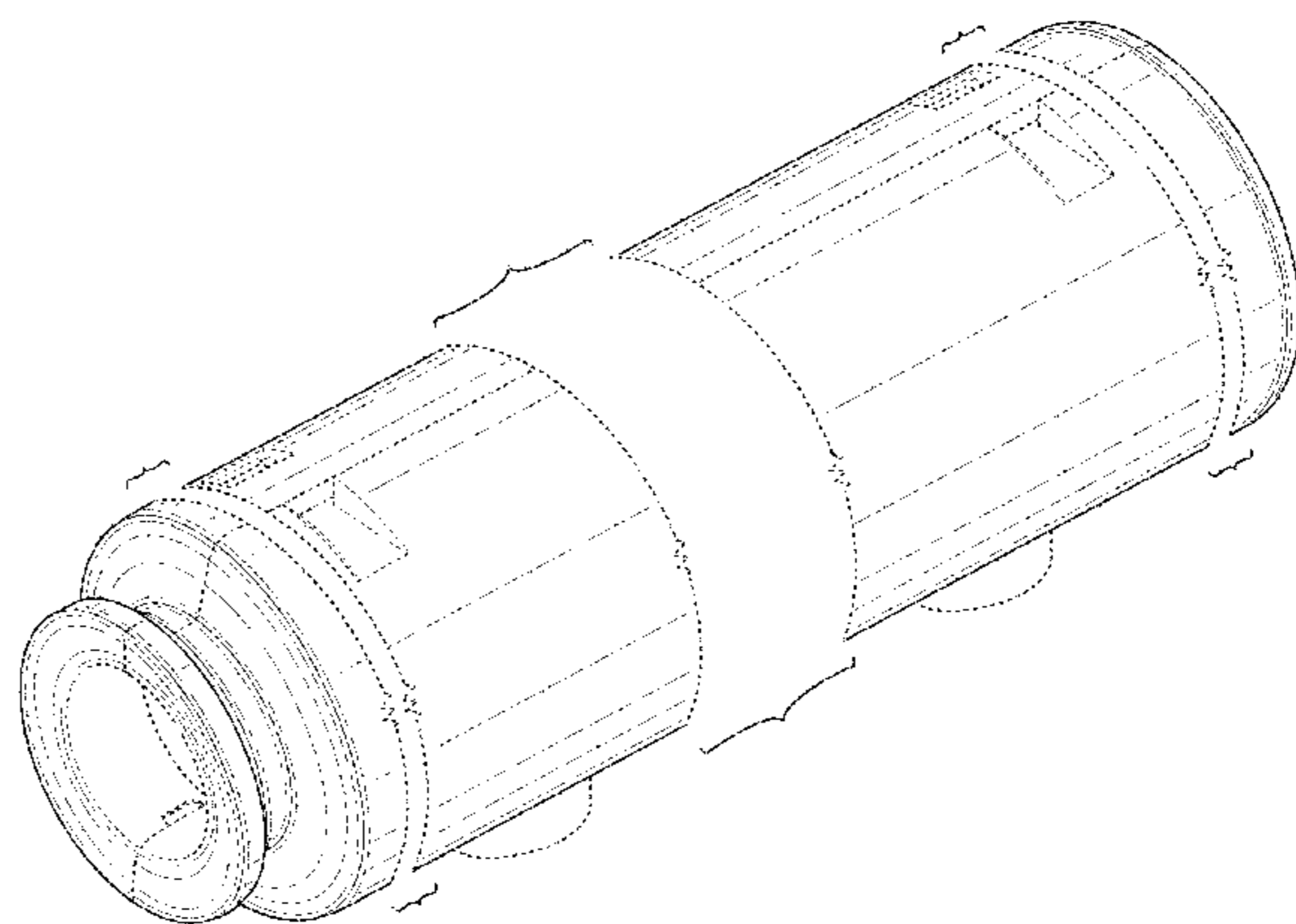
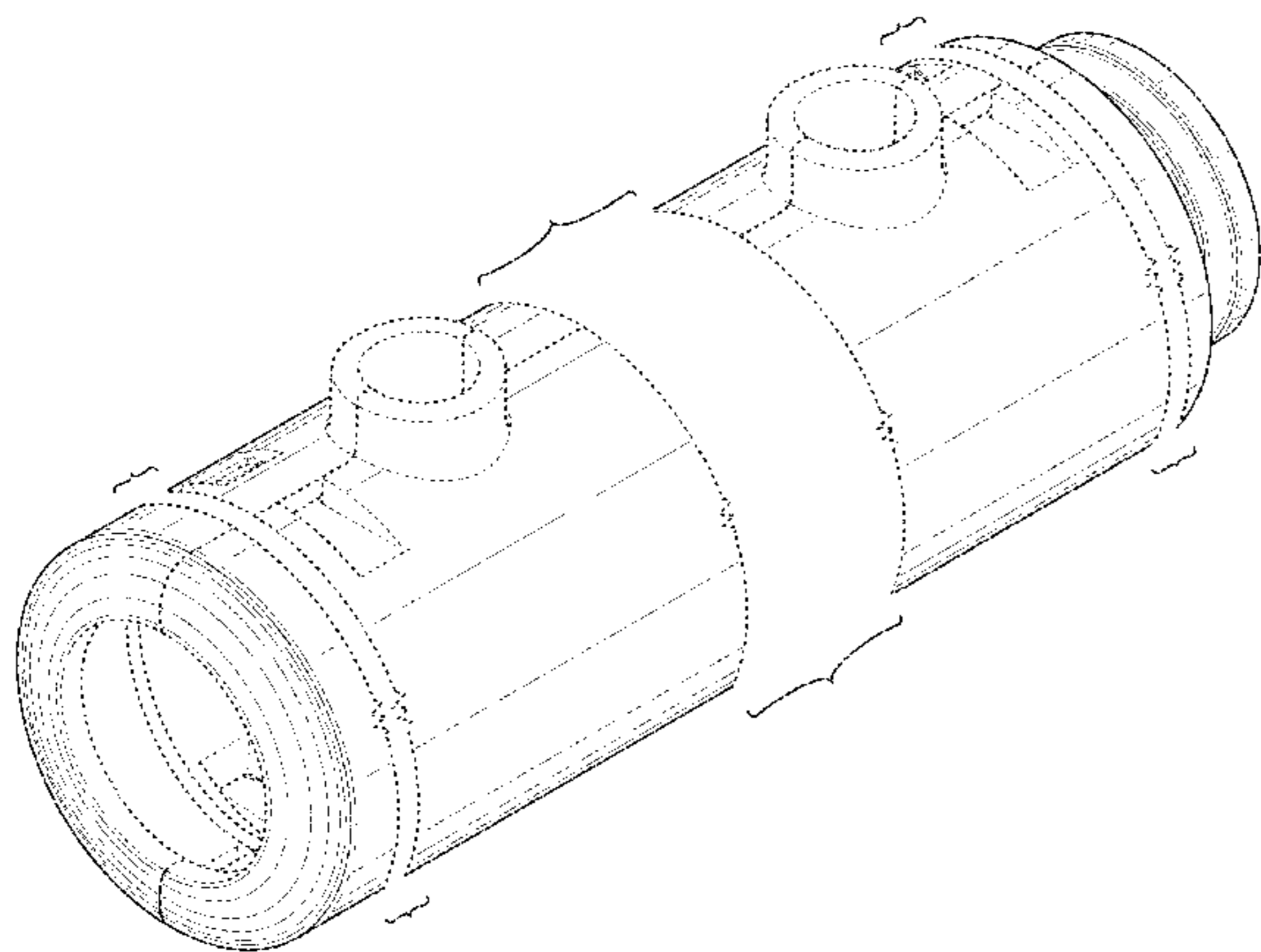
(57) **CLAIM**

The ornamental design for a protective casing for cables, wires, and the like, as shown and described.

DESCRIPTION

FIG. 1 is a front perspective view of a protective casing for cables, wires, and the like showing our new design; FIG. 2 is a left side view thereof; FIG. 3 is a right side view thereof; FIG. 4 is a rear view thereof; FIG. 5 is a front view thereof; FIG. 6 is a bottom view thereof; FIG. 7 is a top view thereof; and, FIG. 8 is a rear bottom perspective view thereof. The broken lines in the drawings illustrate portions of a protective casing for cables, wires, and the like which form no part of the claimed design. The protective casing for cables, wires, and the like is shown with a symbolic break in its length. The appearance of any portion of the article between the break lines forms no part of the claimed design.

1 Claim, 8 Drawing Sheets



(56)

References Cited

U.S. PATENT DOCUMENTS

7,189,100 B1 * 3/2007 Colbourne H01R 13/6392
439/367
D571,733 S * 6/2008 Seil D13/156
D586,757 S * 2/2009 Minnick D13/156
7,553,181 B1 * 6/2009 Van Dalinda, III
H01R 13/6392
174/92
D607,412 S * 1/2010 Palomaki D13/149
D631,848 S * 2/2011 Montena H01R 13/5213
D13/133
8,129,631 B1 * 3/2012 Shemtov H02G 3/14
174/480
8,702,440 B2 * 4/2014 Nooner H01R 13/5213
439/279
D776,623 S * 1/2017 Jenkins D13/156
9,653,837 B2 * 5/2017 Nooner H01R 13/5208
D821,988 S * 7/2018 Chang D13/184
D840,920 S * 2/2019 Fletcher D13/101
D840,922 S * 2/2019 Fletcher D13/101
D840,923 S * 2/2019 Fletcher D13/101
D843,315 S * 3/2019 Fletcher D13/101
D843,952 S * 3/2019 Smith D13/155

* cited by examiner

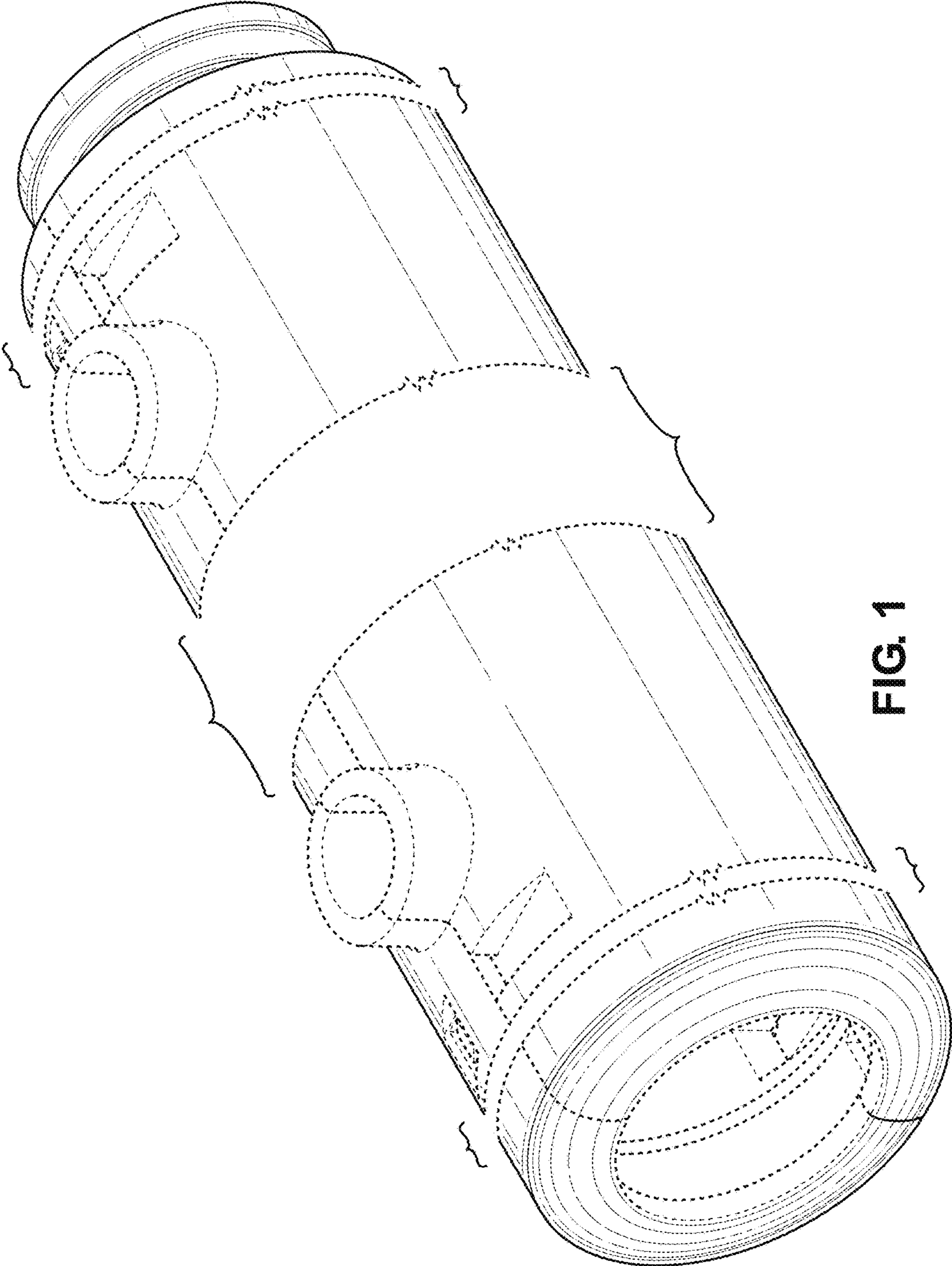


FIG. 1

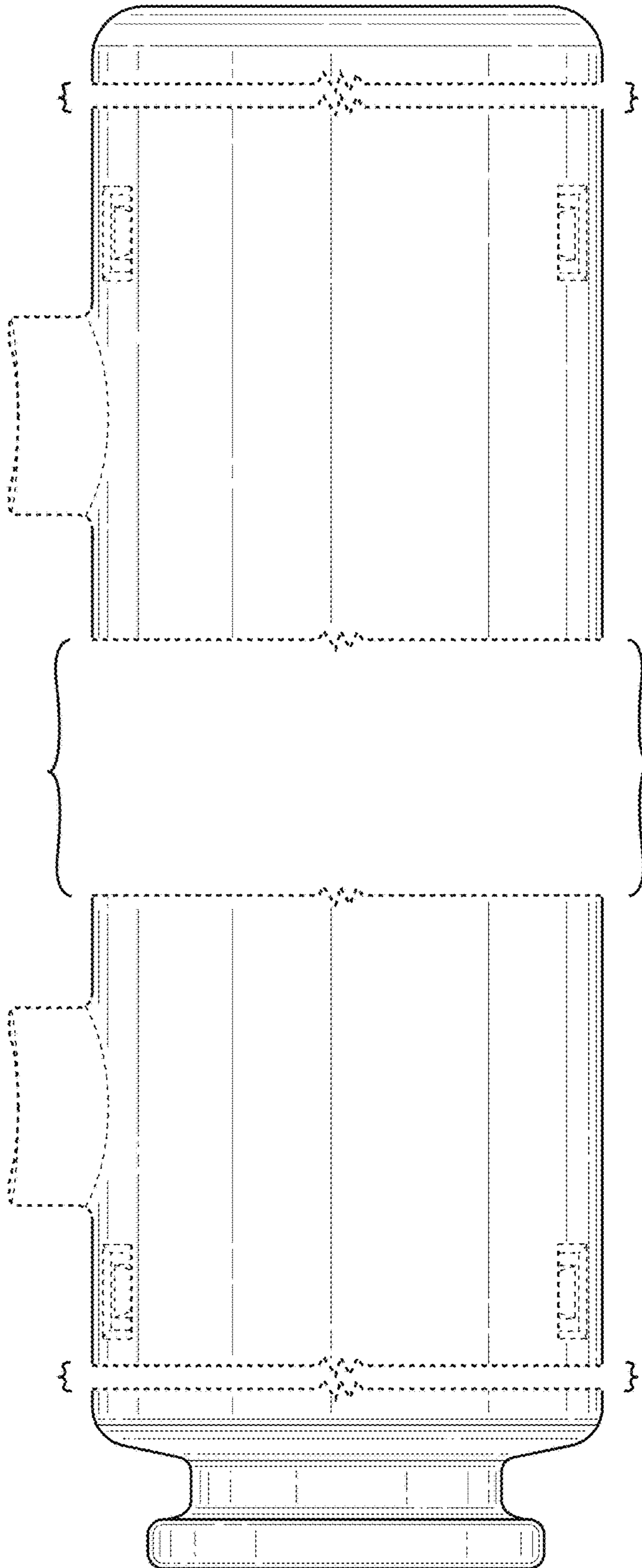


FIG. 2

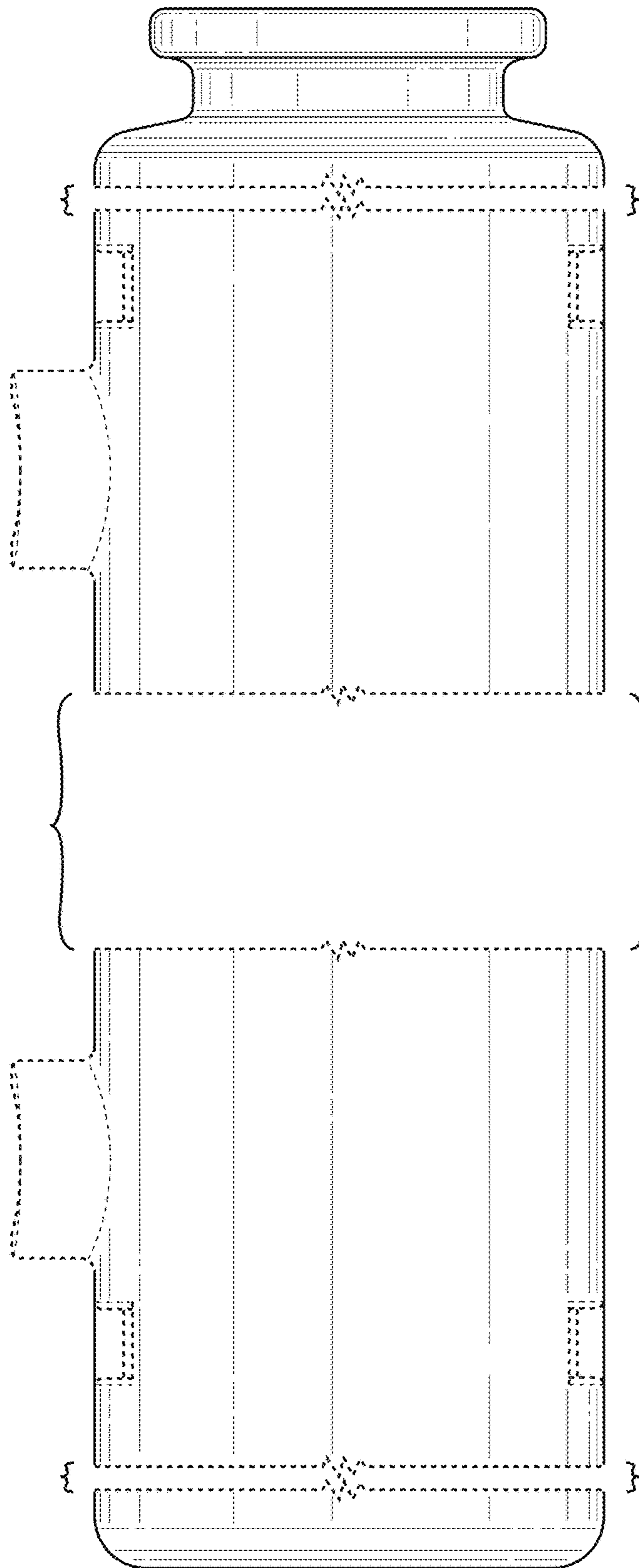


FIG. 3

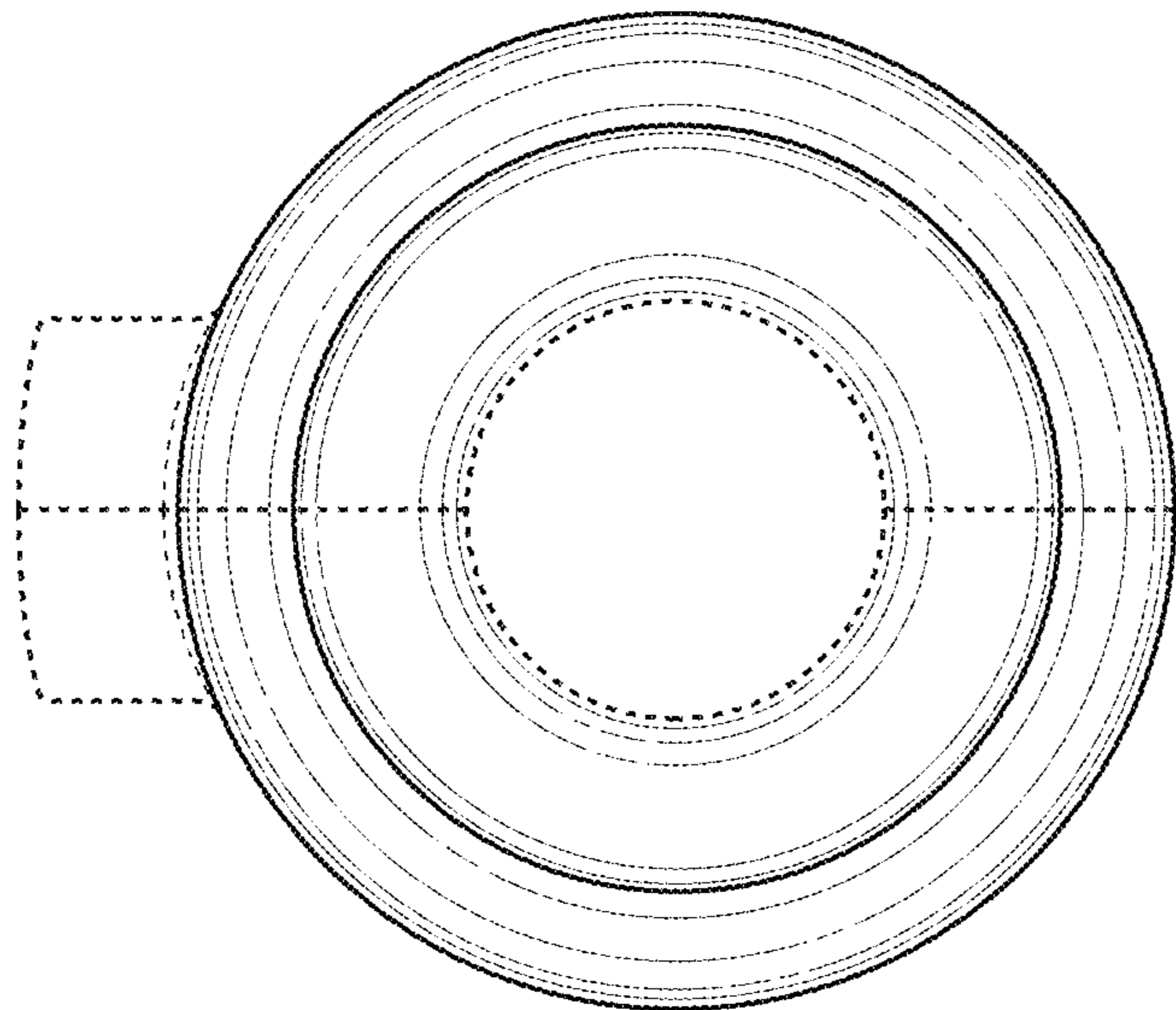


FIG. 4

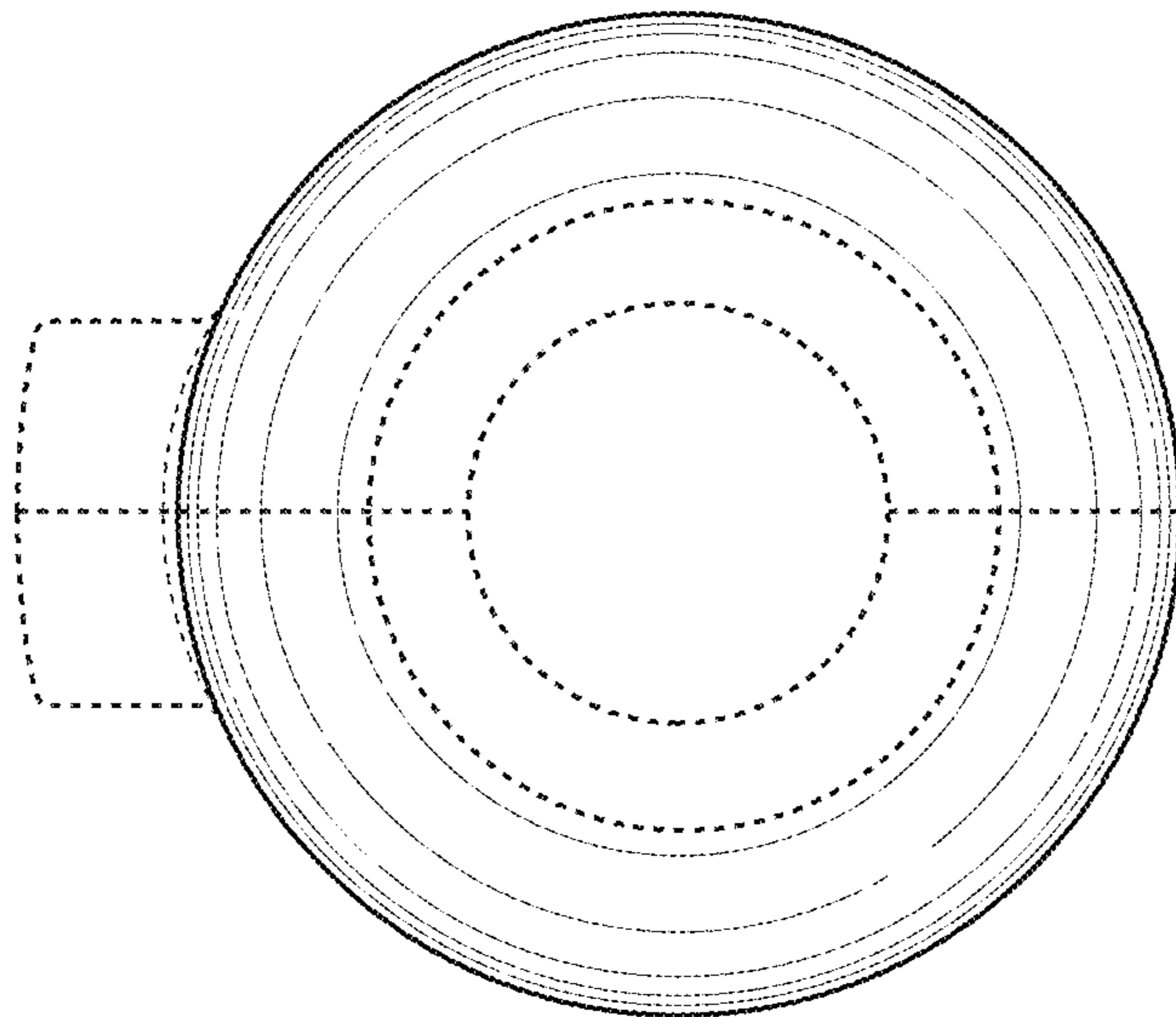


FIG. 5

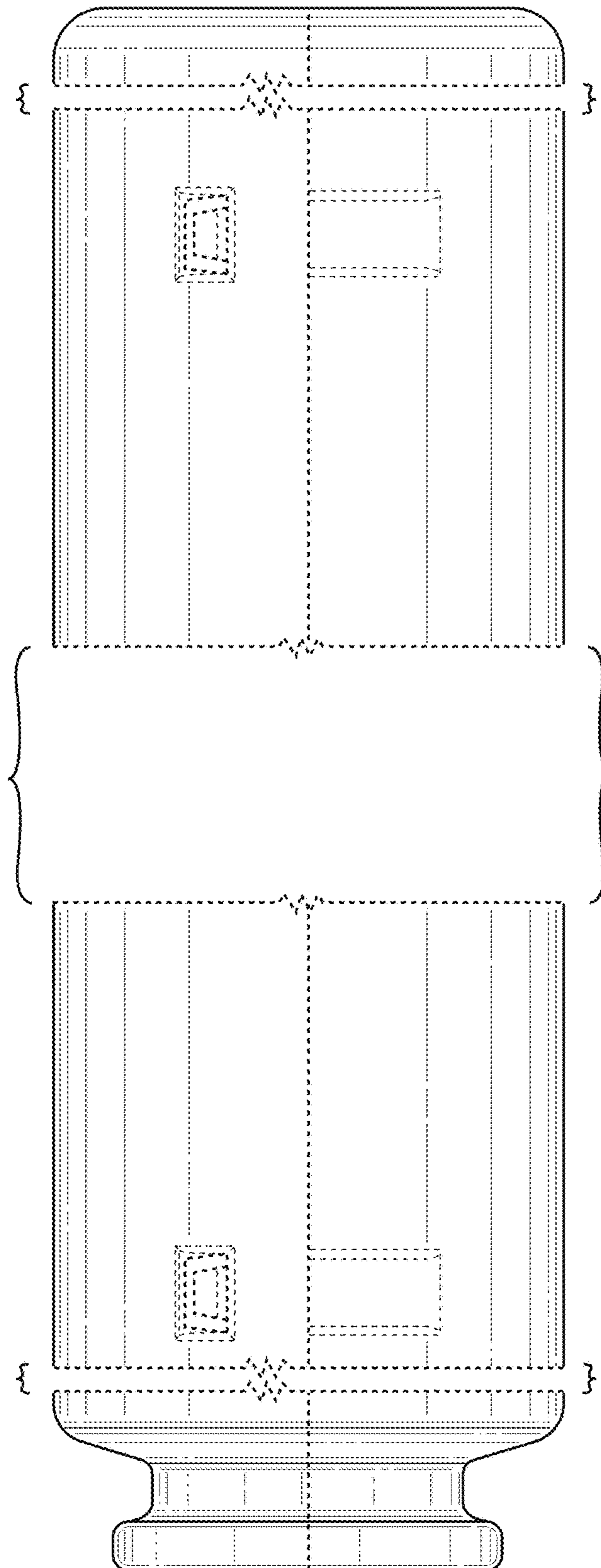


FIG. 6

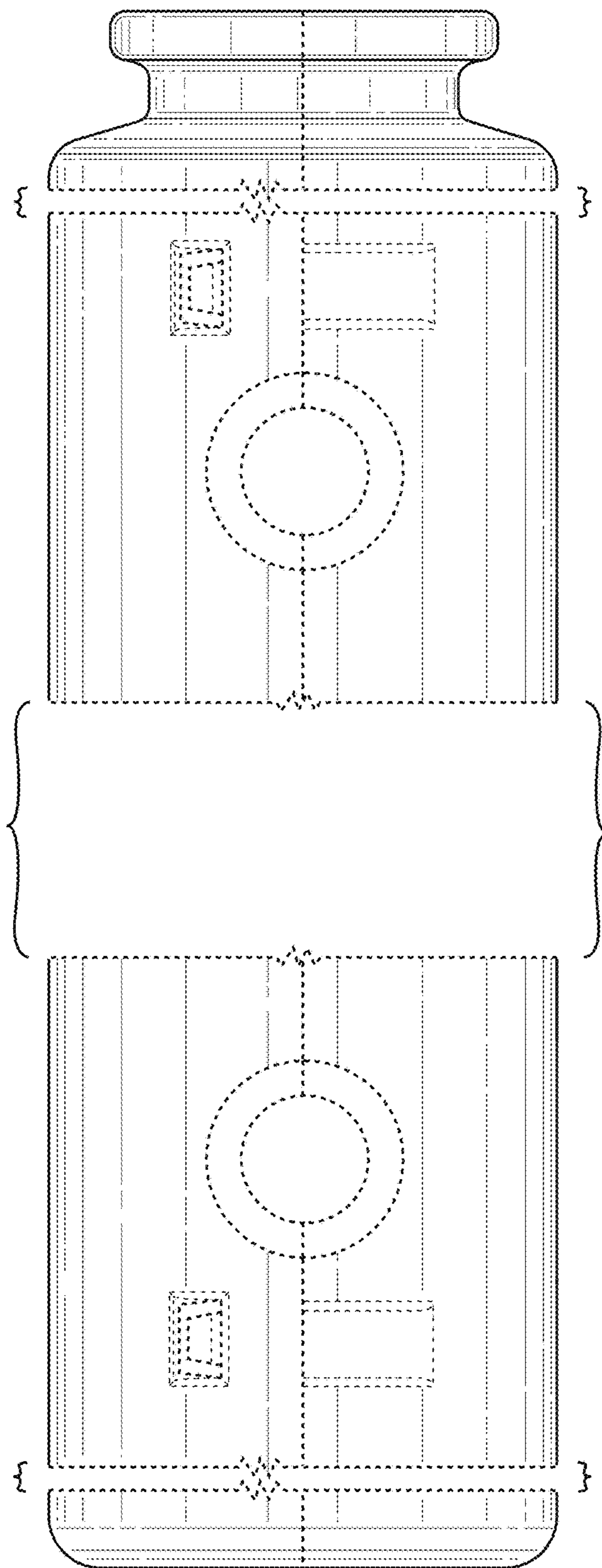


FIG. 7

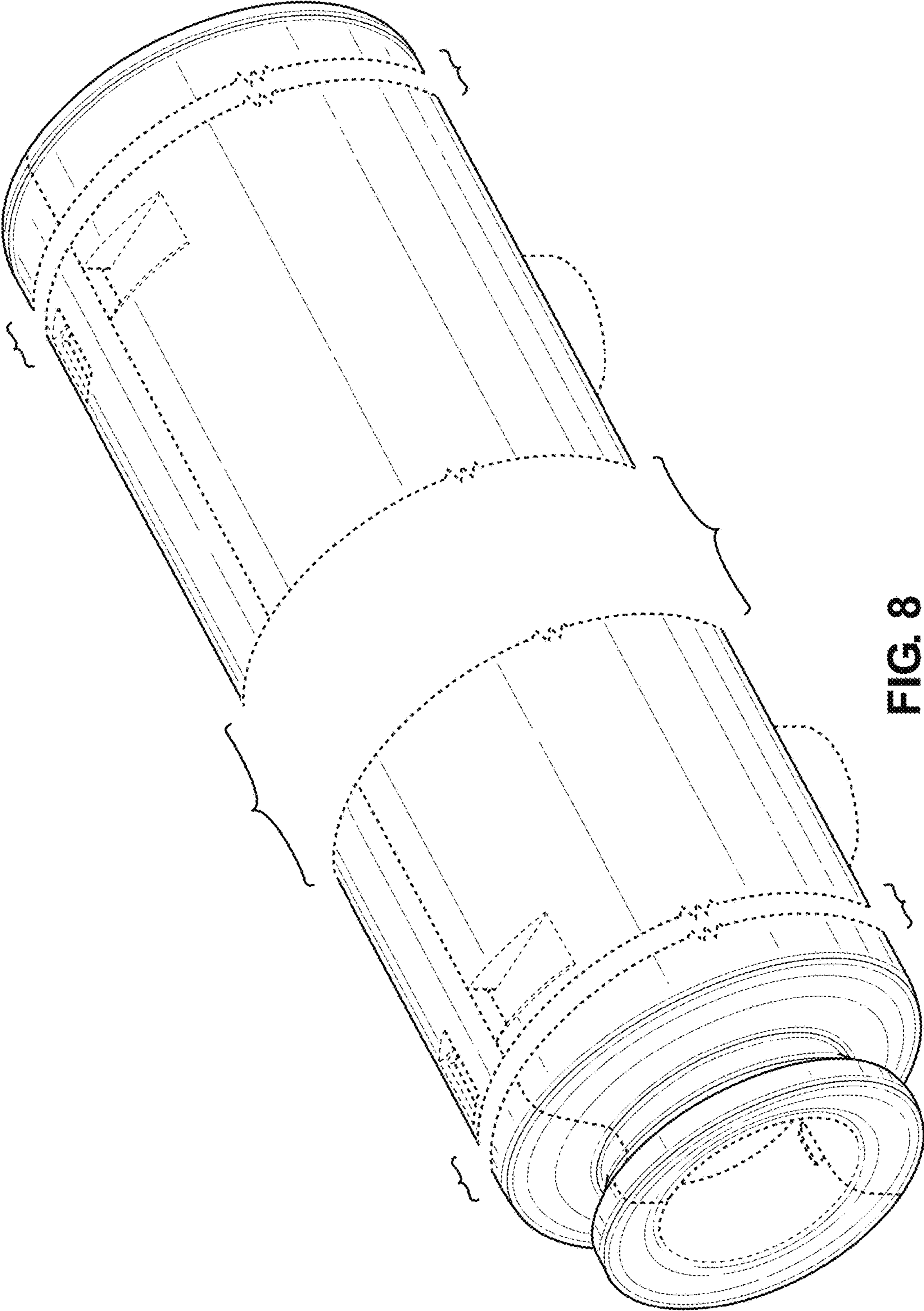


FIG. 8