



US00D861621S

(12) **United States Design Patent** (10) **Patent No.:** **US D861,621 S**
Anderson (45) **Date of Patent:** **** Oct. 1, 2019**

(54) **HANDRAIL ENCLOSURE**

(71) Applicant: **AmpThink, LLC**, Garland, TX (US)

(72) Inventor: **William C. Anderson**, Dallas, TX (US)

(73) Assignee: **AMP THINK, LLC**, Garland, TX (US)

(**) Term: **15 Years**

(21) Appl. No.: **29/627,454**

(22) Filed: **Nov. 27, 2017**

Related U.S. Application Data

(63) Continuation of application No. 14/581,955, filed on Dec. 23, 2014, now Pat. No. 9,853,347.

(51) **LOC (12) Cl.** **13-03**

(52) **U.S. Cl.**
USPC **D13/184**

(58) **Field of Classification Search**

USPC D13/184, 152, 158, 162, 160, 163;
D14/125, 137, 139, 140-140.9, 155, 188,
D14/203.1, 204, 216, 217, 240, 242, 299,
D14/348, 349, 356-358, 363, 432, 433,
D14/474, 480.1, 496; D20/40-44
(Continued)

(56) **References Cited**

U.S. PATENT DOCUMENTS

5,703,944 A * 12/1997 DeBalko H04M 1/0293
348/E7.061
D400,512 S * 11/1998 Korhonen D13/184
(Continued)

Primary Examiner — Janice Hallmark

Assistant Examiner — Harold E Blackwell, II

(74) *Attorney, Agent, or Firm* — AmpThink, LLC; James R. Banowsky

(57) **CLAIM**

The ornamental design for a handrail enclosure, as shown and described.

DESCRIPTION

FIG. 1 is a front perspective view of a handrail enclosure showing a first variation of the claimed design; FIG. 2 is a front elevation view of the first variation; FIG. 3 is a rear elevation view of the first variation; FIG. 4 is a right-side view of the first variation; FIG. 5 is a left-side view of the first variation; FIG. 6 is a top view of the first variation; FIG. 7 is a bottom view of the first variation; FIG. 8 is a front perspective exploded view of the first variation;

FIG. 9 is a front perspective view of the first variation in an environment in use;

FIG. 10 is a front perspective view of a handrail enclosure showing a second variation of the claimed design;

FIG. 11 is a front elevation view of the second variation;

FIG. 12 is a rear elevation view of the second variation;

FIG. 13 is a right-side view of the second variation;

FIG. 14 is a left-side view of the second variation;

FIG. 15 is a top view of the second variation;

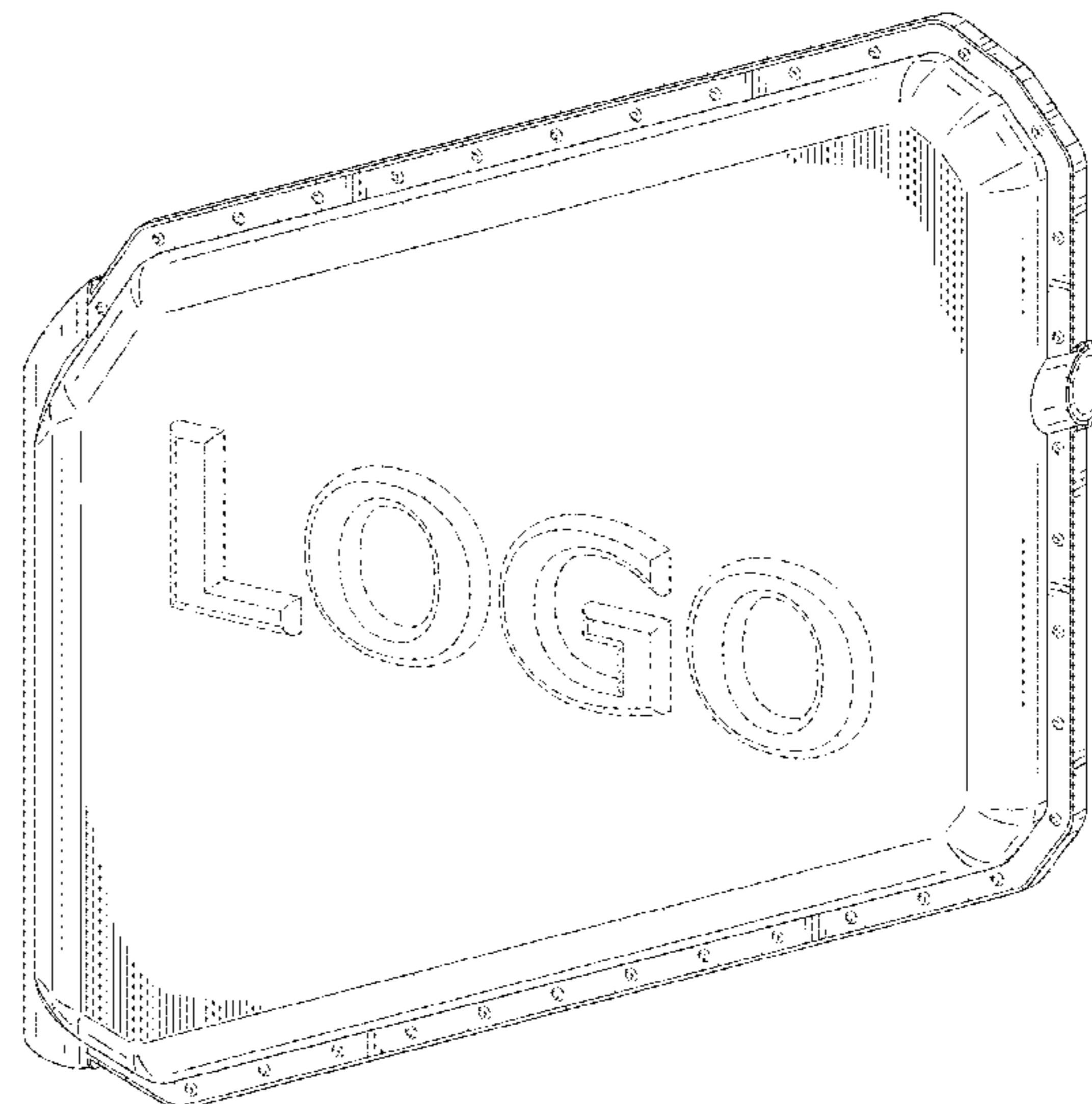
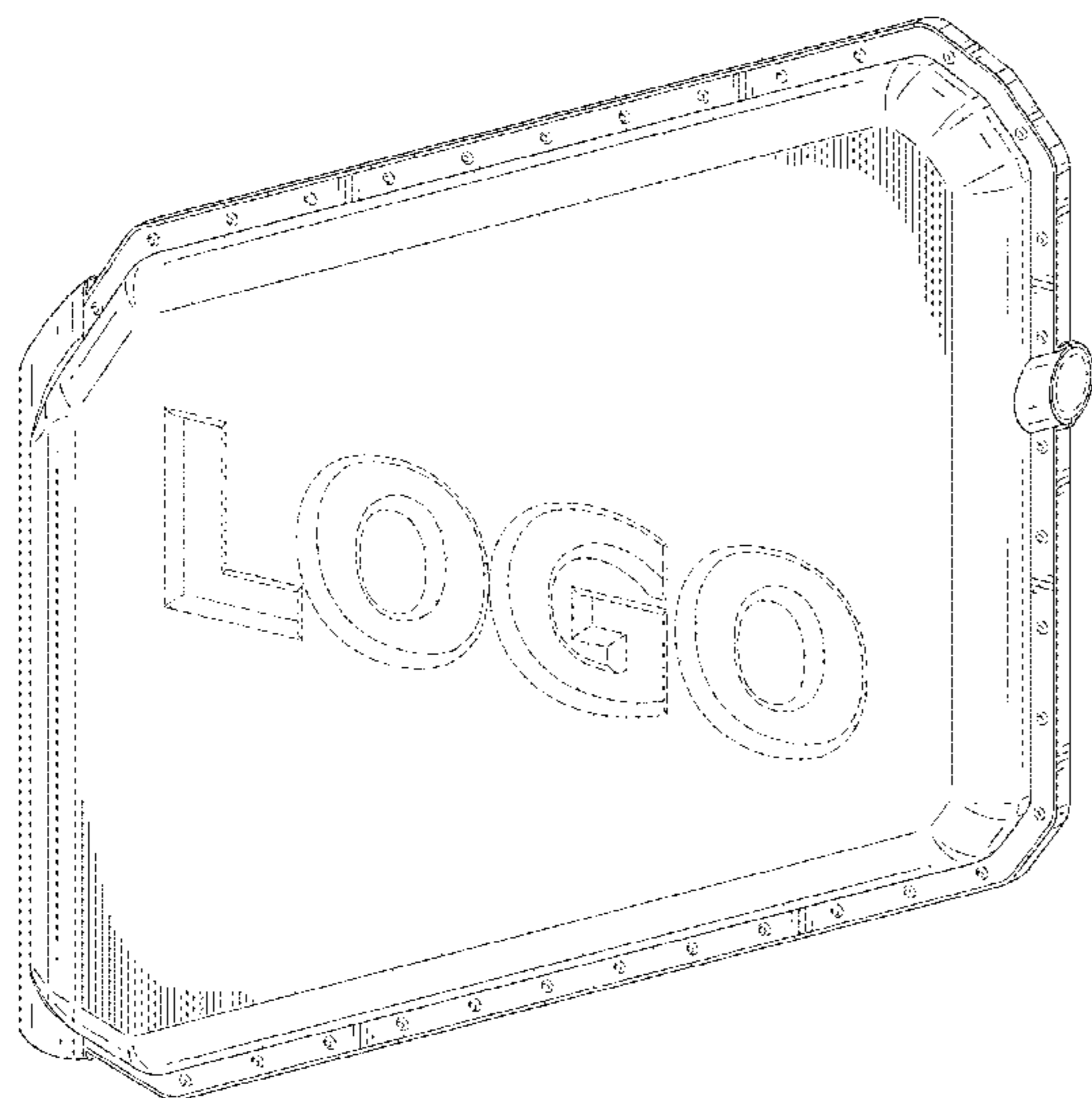
FIG. 16 is a bottom view of the second variation;

FIG. 17 is a front perspective exploded view of the second variation; and,

FIG. 18 is a front perspective view of the second variation in an environment in use.

Broken lines are used to show environment and boundaries that form no part of the claimed design. The broken line showing of the screw holes around the perimeter of the handrail enclosure are for illustrative purposes only and form no part of the claimed design. The broken line showing of the specific term 'LOGO' in the drawing is for illustrative purposes only to indicate presence of a logo or brand, and forms no part of the claimed design.

1 Claim, 14 Drawing Sheets



(58) **Field of Classification Search**

CPC G09F 13/04; G09F 13/0404; G09F
2013/0431; G09F 13/06

See application file for complete search history.

(56) **References Cited**

U.S. PATENT DOCUMENTS

D400,513 S * 11/1998 Seirio D13/184
D416,049 S * 11/1999 Hooley D10/109.1
6,795,552 B1 * 9/2004 Stanush H04Q 1/028
379/399.01
D557,345 S * 12/2007 Yates D20/10
9,853,347 B2 * 12/2017 Anderson H01Q 1/22
9,892,762 B1 * 2/2018 Szeremeta F16J 15/061
D815,692 S * 4/2018 Kim D20/42
9,990,868 B1 * 6/2018 Katz G09F 13/04
D825,003 S * 8/2018 Katz D20/42
10,244,649 B2 * 3/2019 Anderson, III H05K 5/0013
2012/0320622 A1 * 12/2012 Sanders G09F 13/04
362/602

* cited by examiner

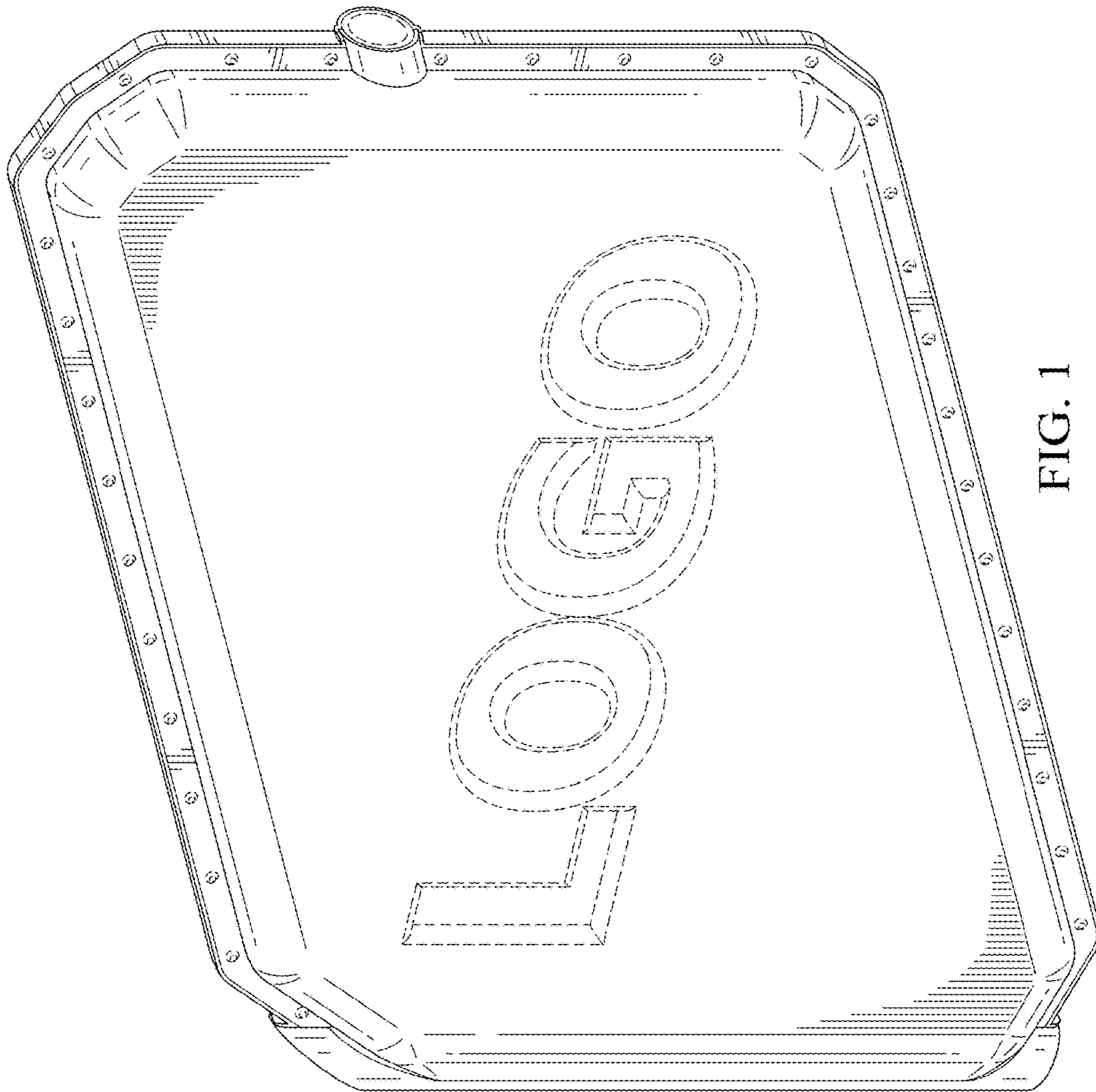


FIG. 1

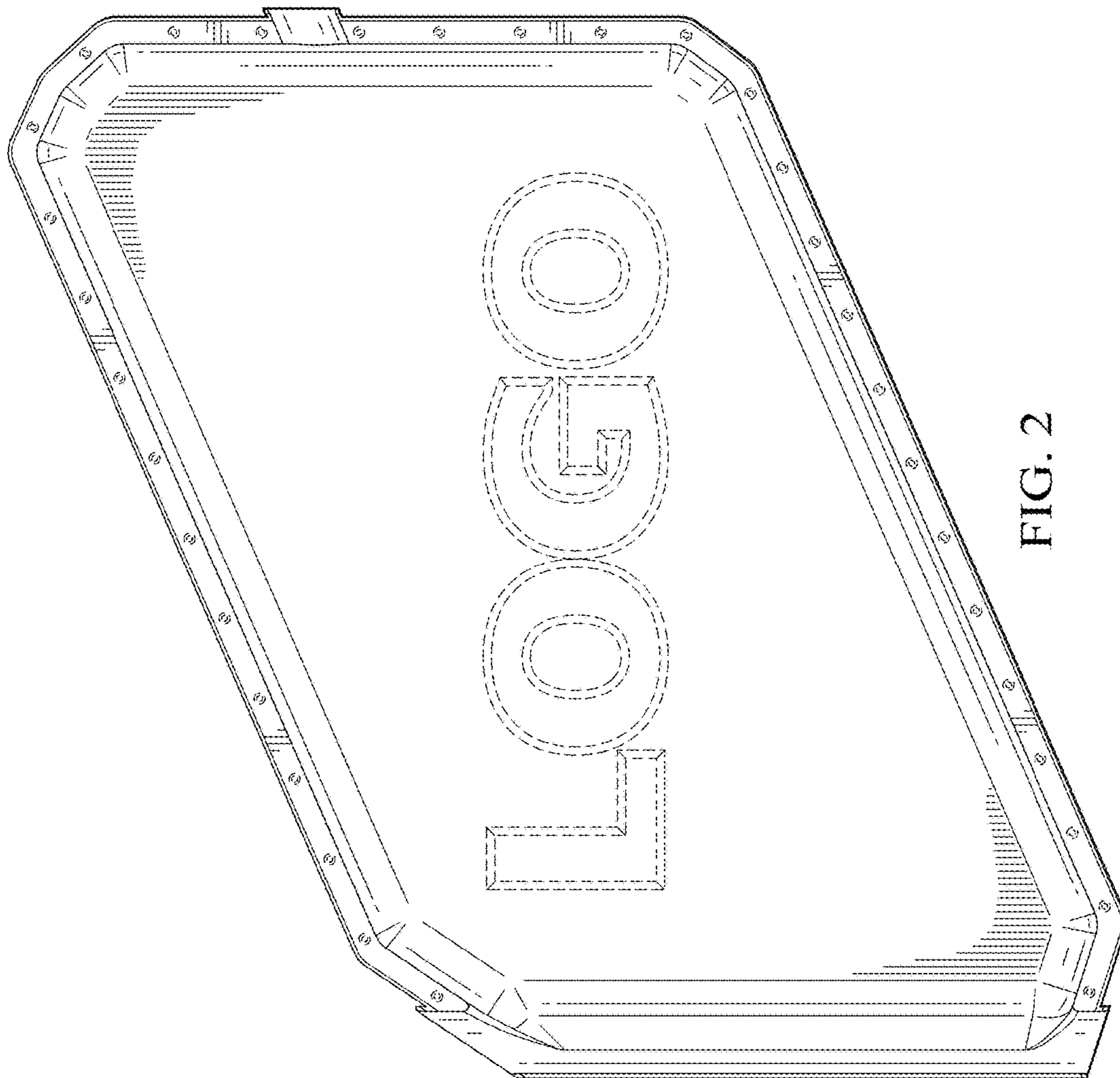


FIG. 2

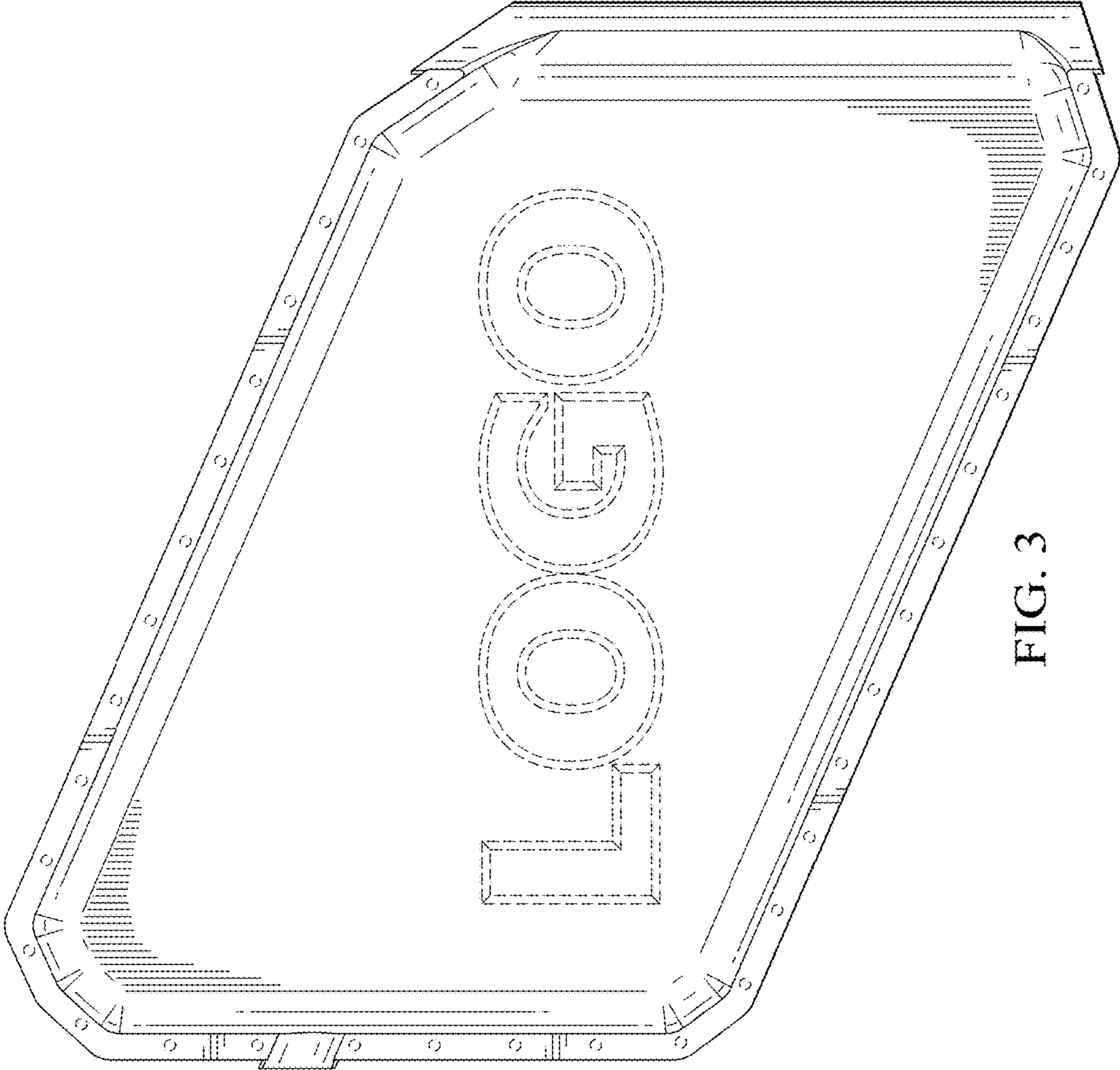


FIG. 3

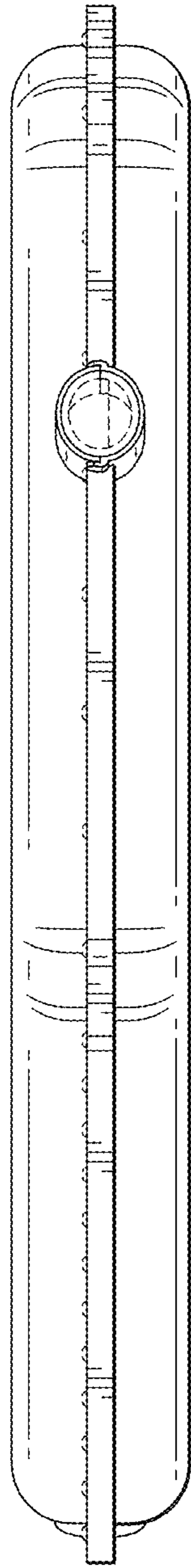


FIG. 4

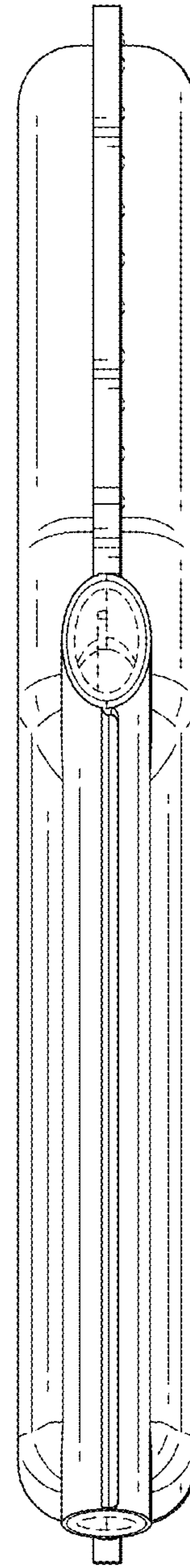


FIG. 5

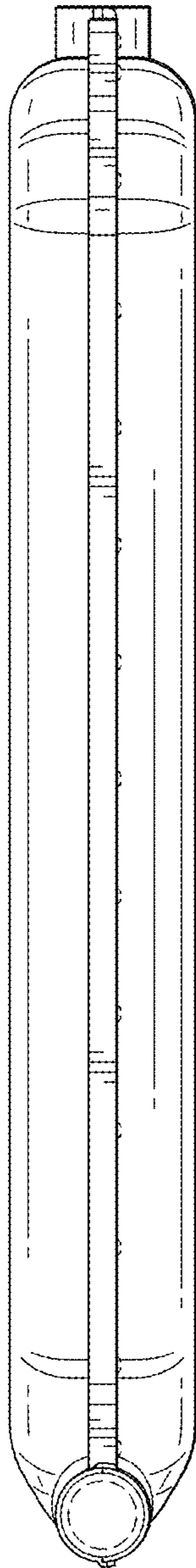


FIG. 6

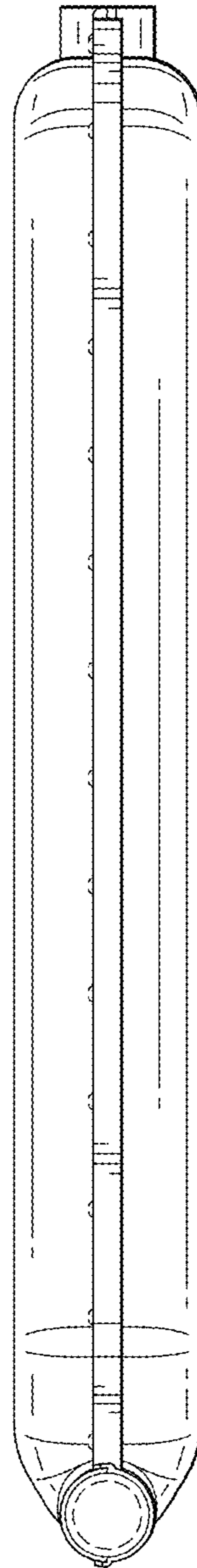


FIG. 7

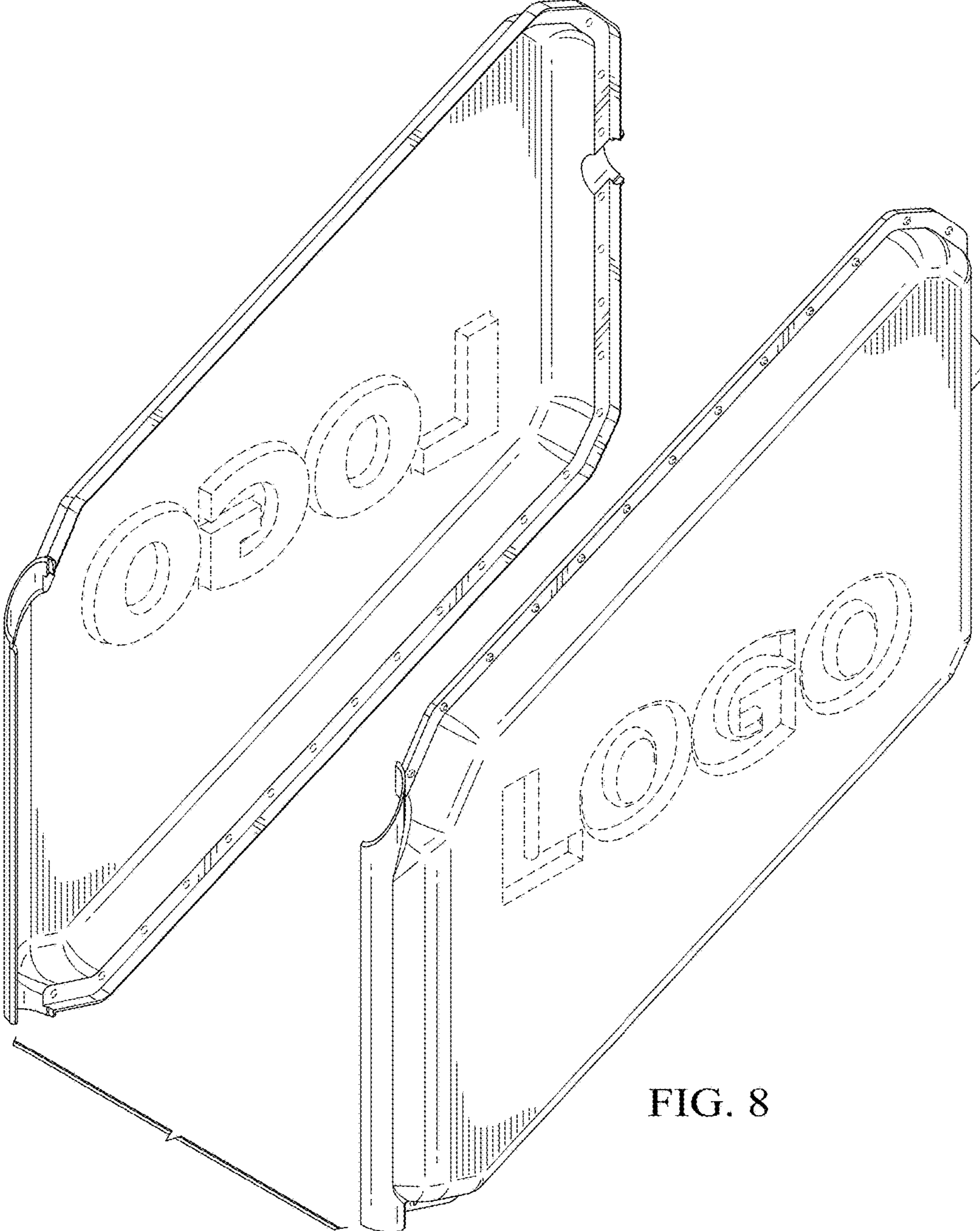


FIG. 8

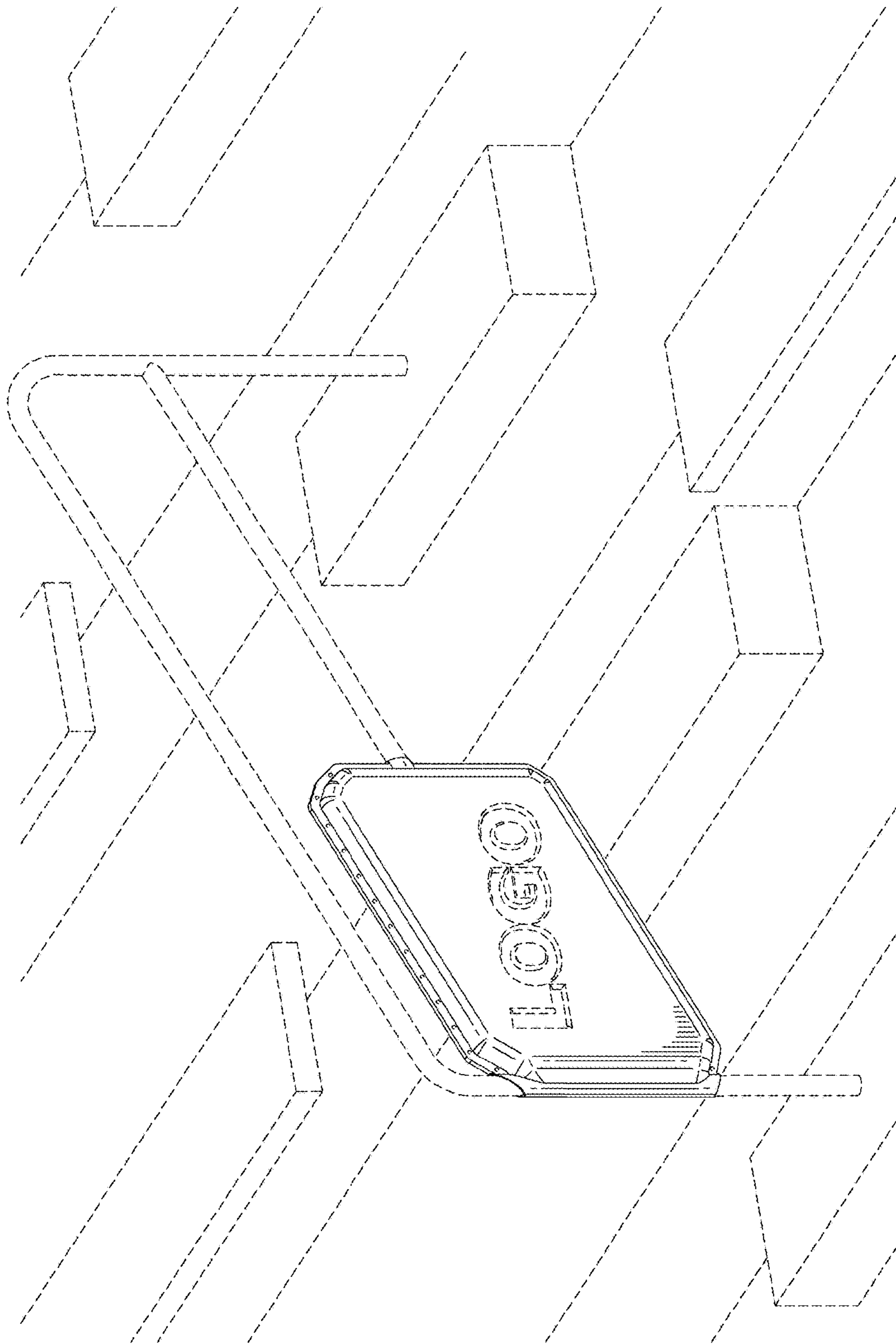


FIG. 9

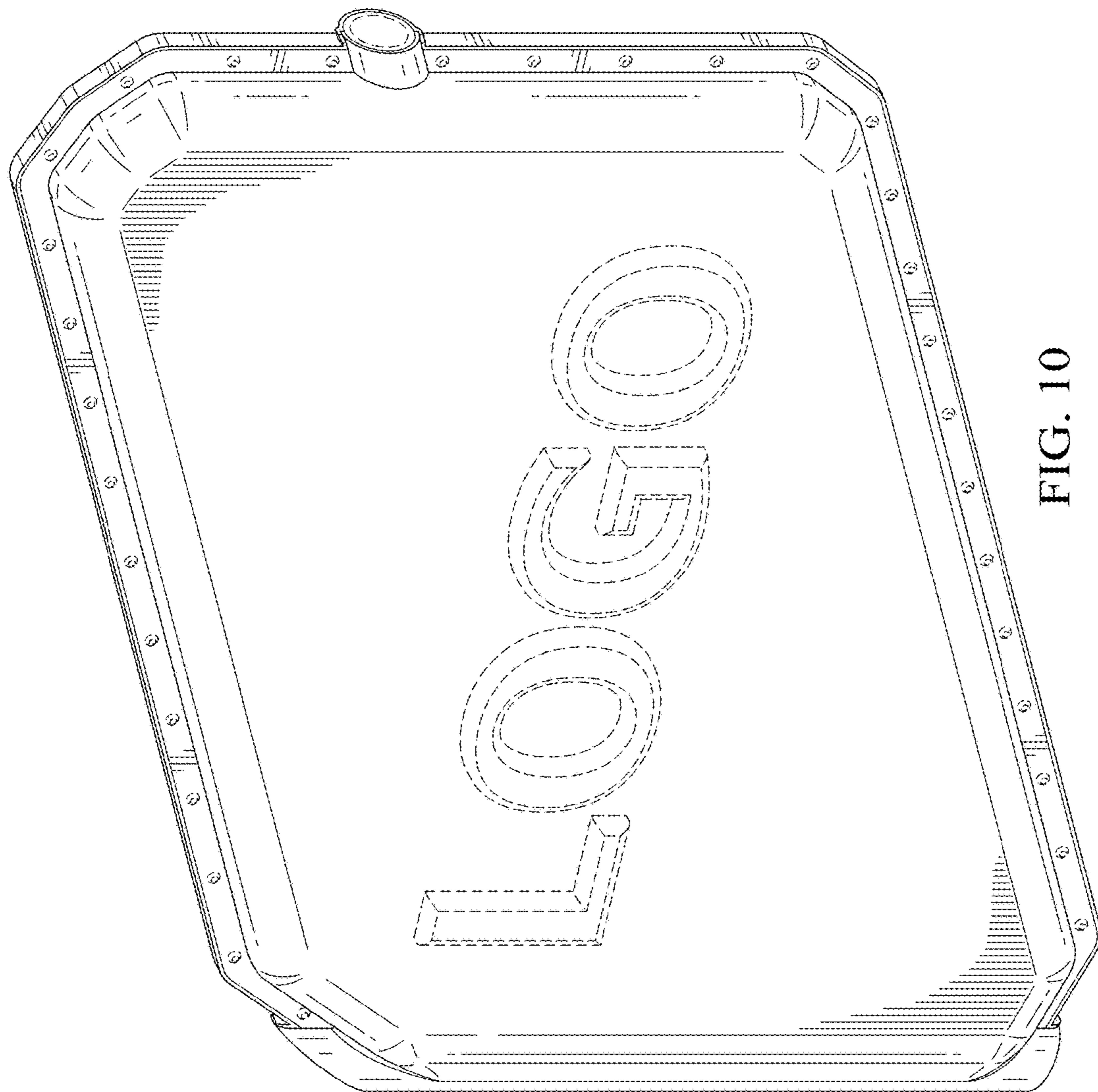


FIG. 10

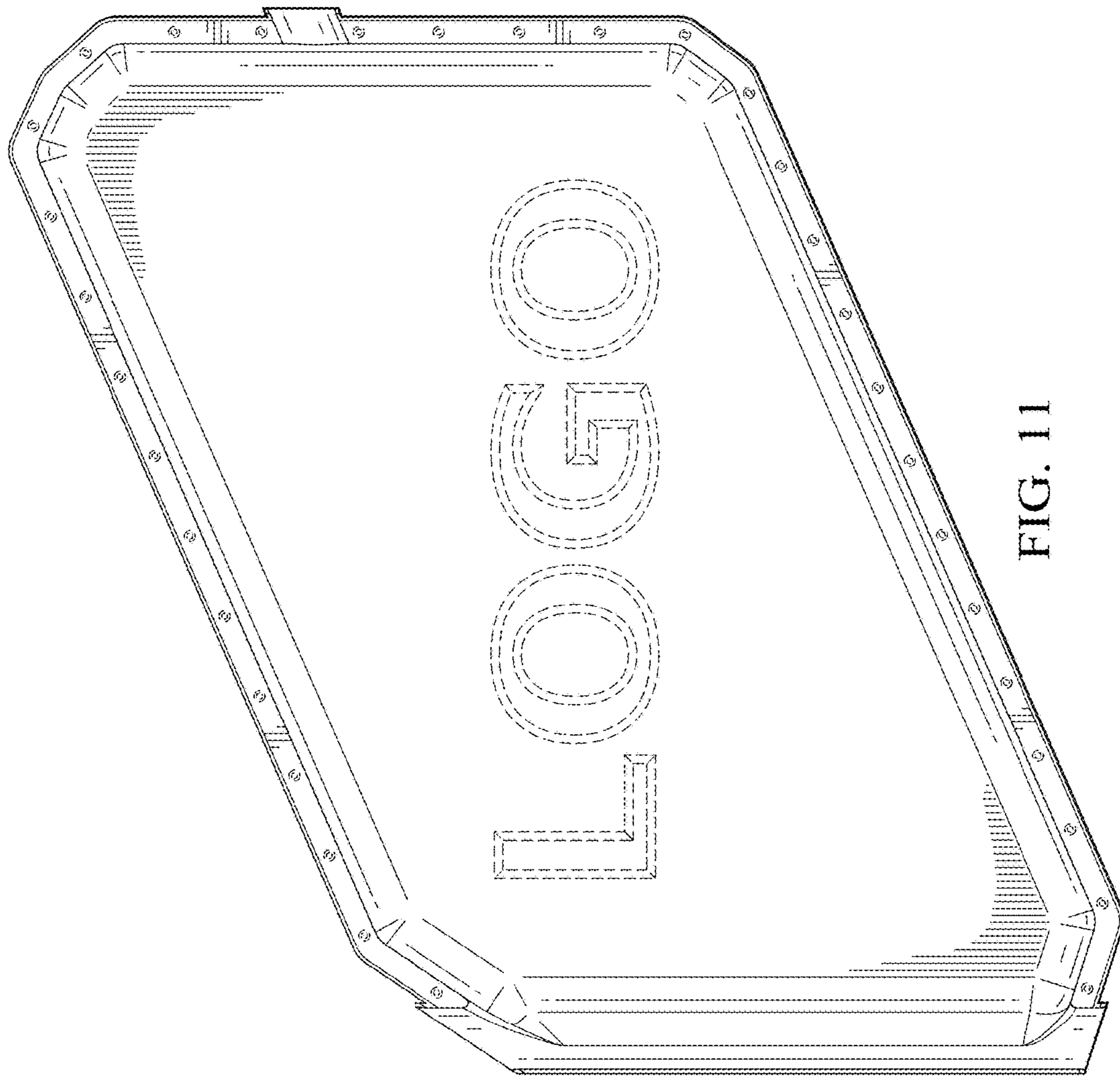


FIG. 11

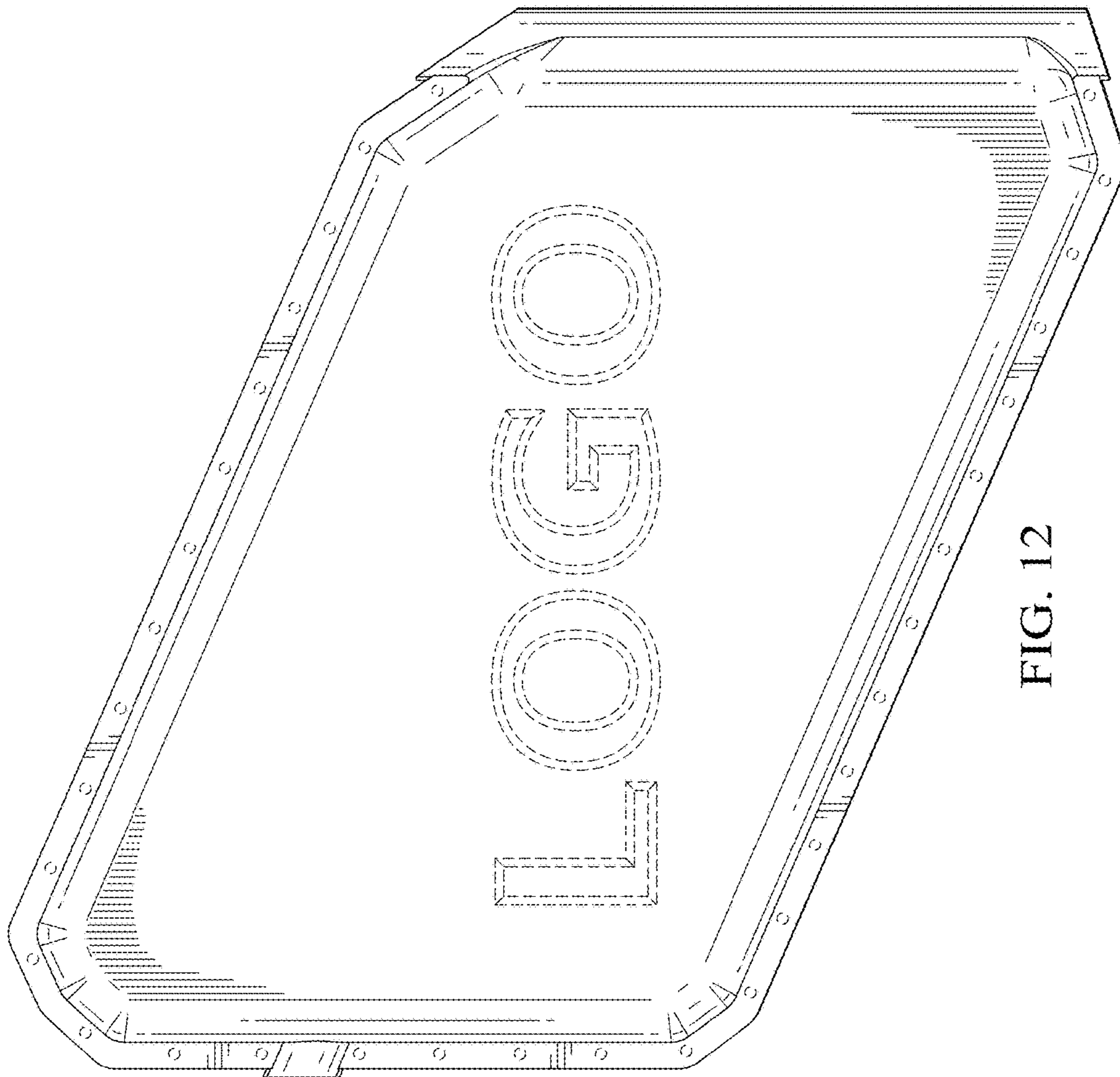


FIG. 12

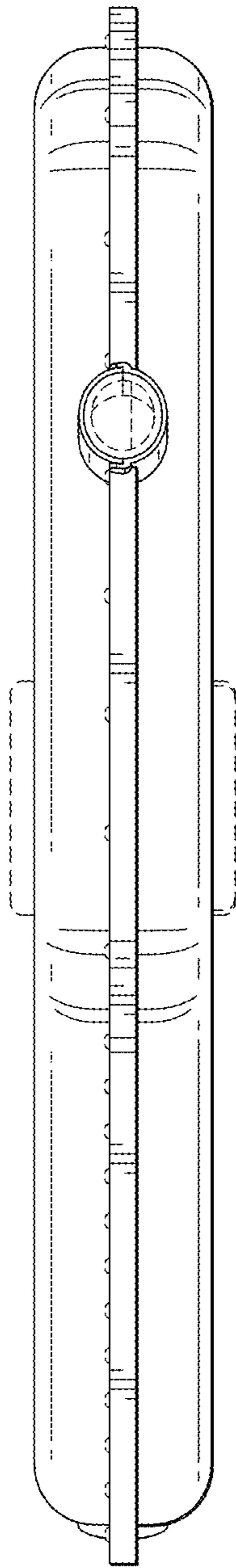


FIG. 13

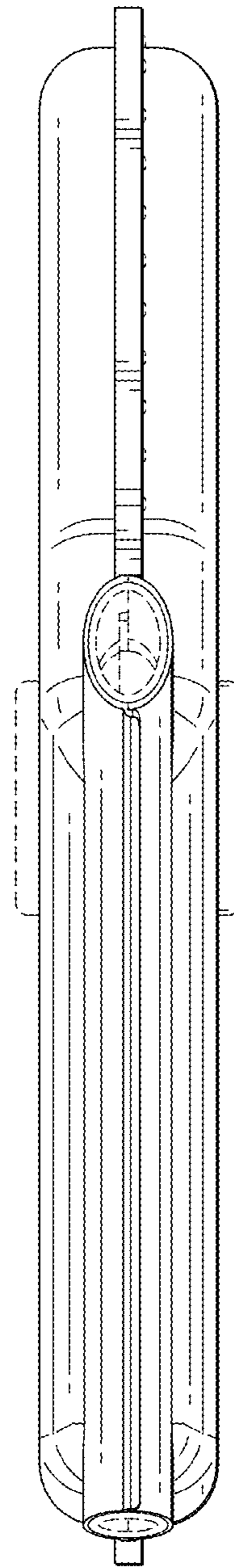


FIG. 14

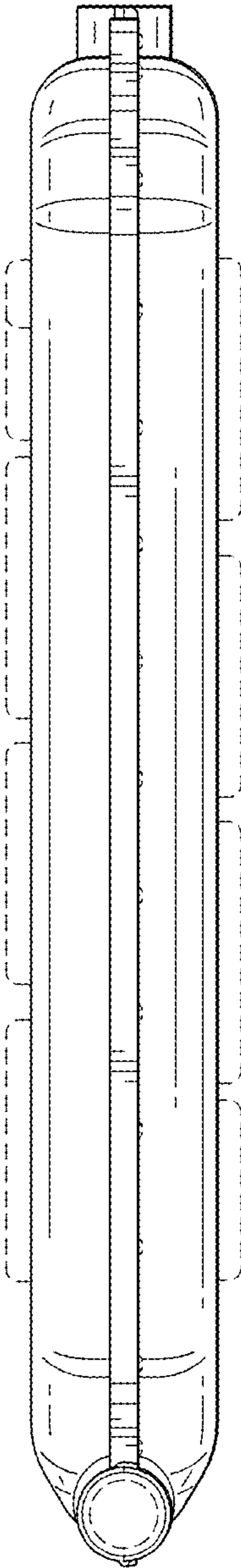


FIG. 15

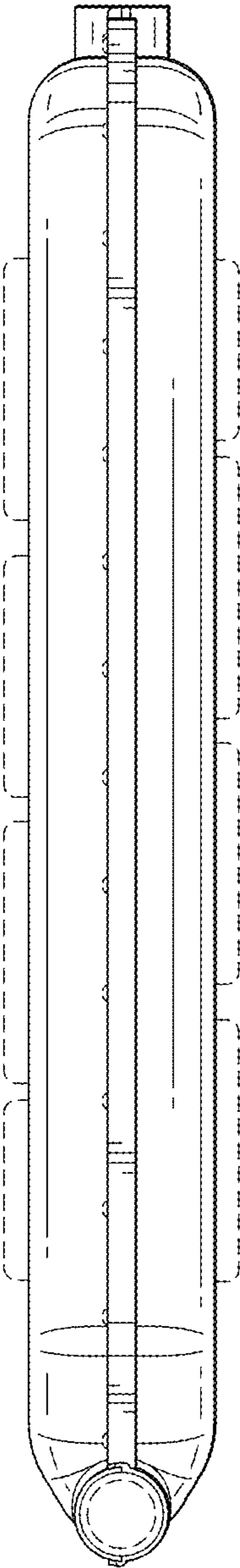


FIG. 16

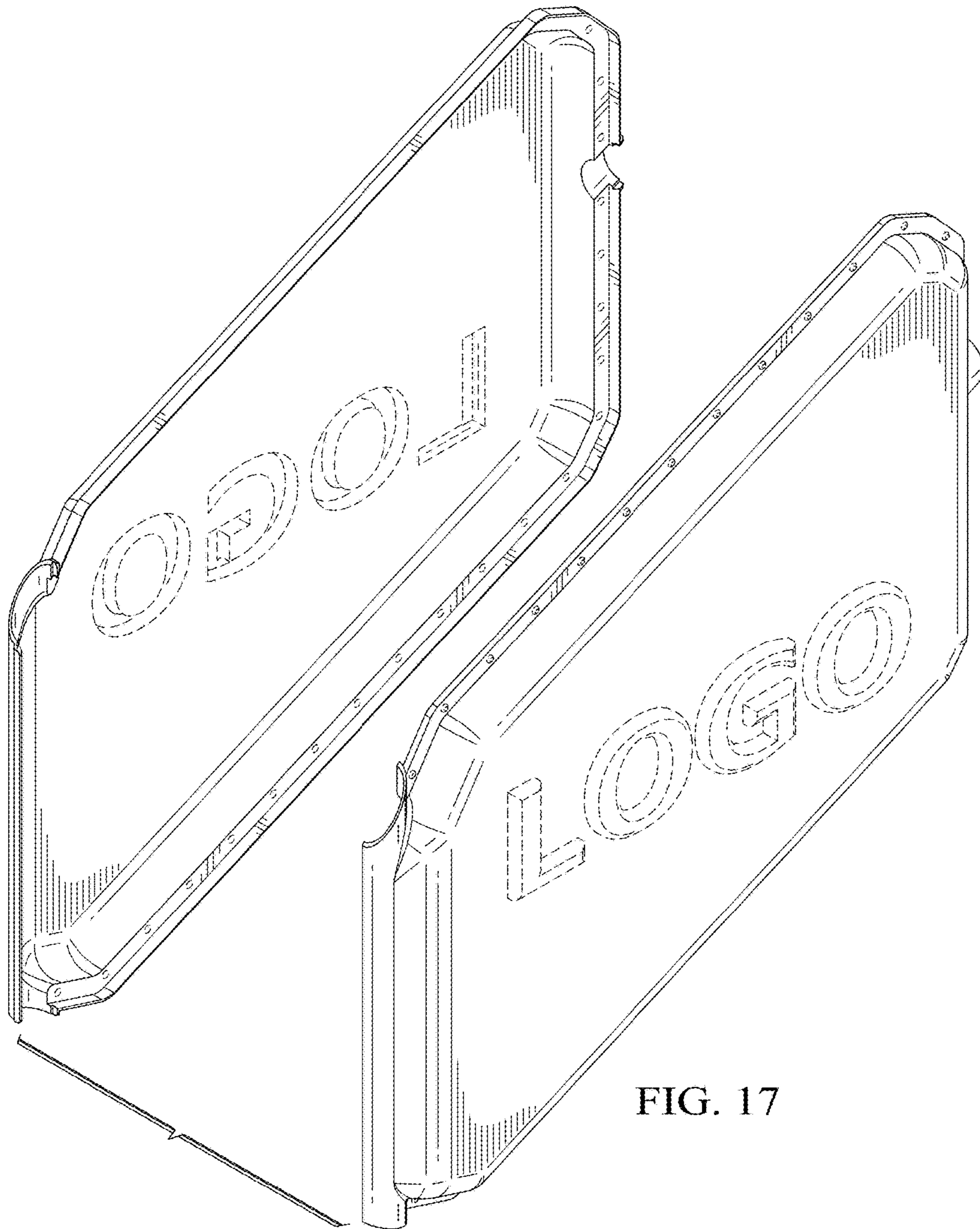


FIG. 17

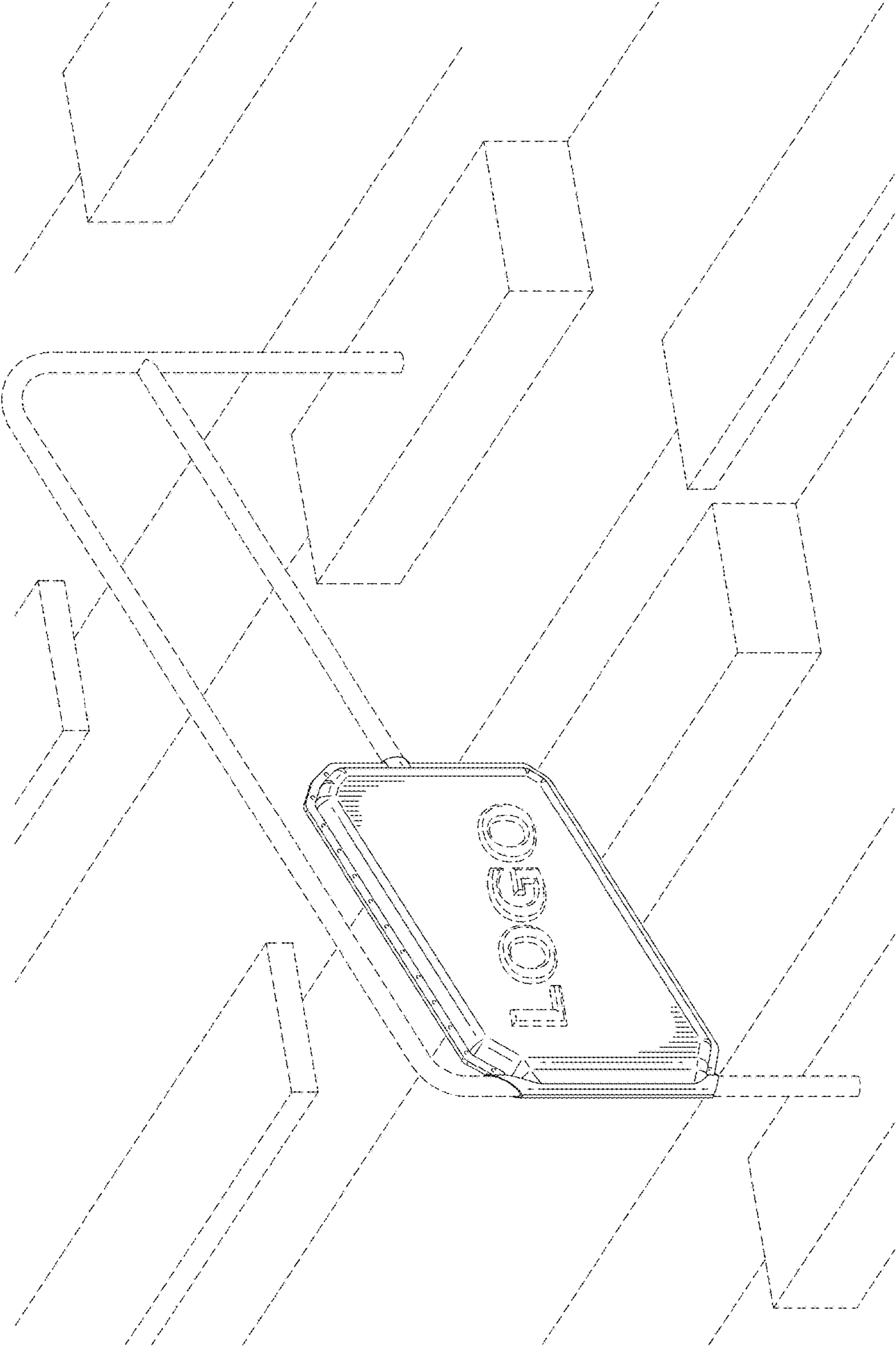


FIG. 18