

US00D861619S

(12) **United States Design Patent** (10) **Patent No.:** **US D861,619 S**
Houdek et al. (45) **Date of Patent:** **** Oct. 1, 2019**

- (54) **4 BUTTON FOB TRANSMITTER**
- (71) Applicant: **TRIMARK CORPORATION**, New Hampton, IA (US)
- (72) Inventors: **Julie M. Houdek**, New Hampton, IA (US); **Glen A. Marshall**, Waverly, IA (US)
- (73) Assignee: **TriMark Corporation**, New Hampton, IA (US)
- (**) Term: **15 Years**
- (21) Appl. No.: **29/649,361**
- (22) Filed: **May 29, 2018**
- (51) **LOC (12) Cl.** **14-03**
- (52) **U.S. Cl.**
USPC **D13/168**
- (58) **Field of Classification Search**
USPC D13/168; D10/104.1, 106.1; D3/207, D3/208; D8/347
CPC ... B60R 2225/00; B60R 25/00; B60R 25/104; H01H 9/02; H01H 9/0214; H01H 9/0235; G07C 9/00944; G05B 1/01; E05B 19/0082; E05B 19/04; Y10T 70/8676
See application file for complete search history.

(56) **References Cited**
U.S. PATENT DOCUMENTS

D390,195 S	2/1998	Chen
D407,006 S	3/1999	Sacco et al.
D441,185 S	5/2001	Shimizu et al.
D441,524 S	5/2001	Shimizu et al.
D461,047 S	8/2002	Peterson
D475,353 S	6/2003	Flick
D478,720 S	8/2003	Lo
6,852,929 B2	2/2005	Scudder
D508,862 S	8/2005	Behar et al.

D514,527 S	2/2006	DiPasquale
D515,515 S	2/2006	Li
D528,990 S	9/2006	Li
7,242,278 B2	7/2007	Sugimoto et al.
D556,701 S	12/2007	Nohara et al.
D560,352 S	1/2008	Cadiz et al.
D563,097 S	3/2008	Reichling et al.
D576,959 S	9/2008	Aldape et al.
D576,960 S	9/2008	Aldape et al.
D590,780 S	4/2009	Deboer et al.
7,657,226 B2	2/2010	Gisler
D622,710 S	8/2010	Goransson
7,839,655 B2	11/2010	Clark
D639,547 S	6/2011	Stefanov
D680,732 S	4/2013	Nagy
D696,738 S	12/2013	Otto
D710,314 S	8/2014	Safford
D712,381 S	9/2014	Hwang et al.
D721,660 S	1/2015	Wang

(Continued)

Primary Examiner — Selina Sikder
(74) *Attorney, Agent, or Firm* — McKee, Voorhees & Sease, PLC

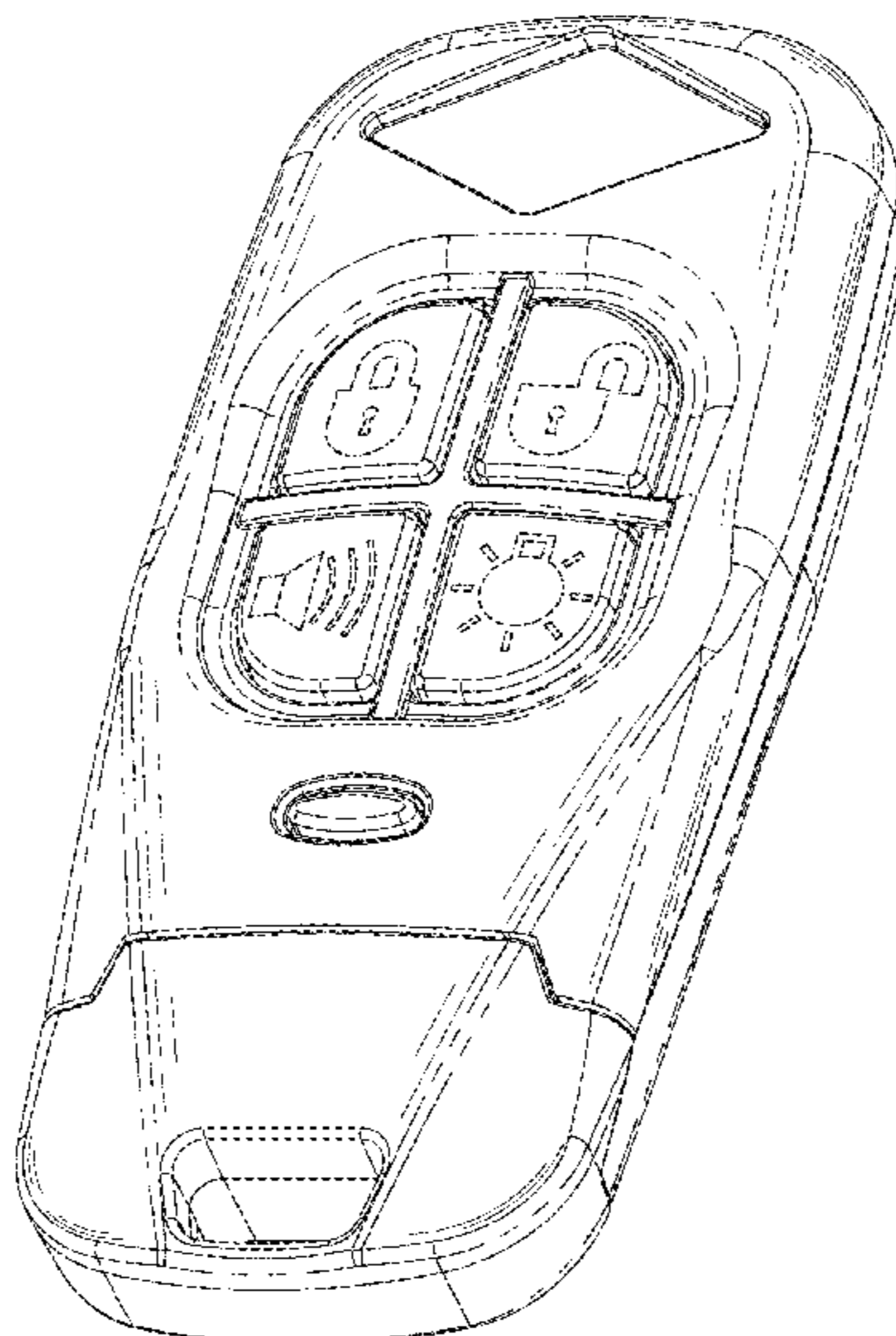
(57) **CLAIM**

We claim the ornamental design for a 4 button fob transmitter, substantially as shown and described.

DESCRIPTION

FIG. 1 is a front perspective view of the 4-button key fob transmitter of the present invention.
FIG. 2 is a rear perspective of the key fob.
FIG. 3 is a front elevation view of the key fob.
FIG. 4 is a rear elevation view of the key fob.
FIG. 5 is a right side elevation view of the key fob.
FIG. 6 is a left side elevation view of the key fob.
FIG. 7 is a top plan view of the key fob; and,
FIG. 8 is a bottom plan view of the key fob.
Figures show the key fob with structure shown in broken lines that are not a part of the claimed invention.

1 Claim, 7 Drawing Sheets



(56)

References Cited

U.S. PATENT DOCUMENTS

D725,607	S	3/2015	Kandler et al.	
D730,150	S	5/2015	Kirzinger et al.	
D733,074	S	6/2015	Kandler et al.	
D734,607	S	7/2015	Leetz	
9,347,244	B2	5/2016	Lu	
D803,792	S	11/2017	Houdek et al.	
D832,678	S *	11/2018	Sarpola	D8/347
D844,574	S *	4/2019	Kandler	D13/168
2002/0008610	A1	1/2002	Peterson	
2010/0102927	A1	4/2010	Mönig	
2010/0199729	A1	8/2010	Zaitz et al.	
2011/0132050	A1 *	6/2011	McCaffrey	E05B 19/0017 70/391
2012/0087096	A1	4/2012	Shen	
2012/0140391	A1 *	6/2012	Nickel	E05B 19/043 361/679.01
2012/0199729	A1	8/2012	Kim et al.	
2015/0271941	A1	9/2015	Lu	
2016/0278229	A1	9/2016	Saito	
2017/0095040	A1	4/2017	Byrd et al.	
2017/0129457	A1	5/2017	Lee et al.	

* cited by examiner

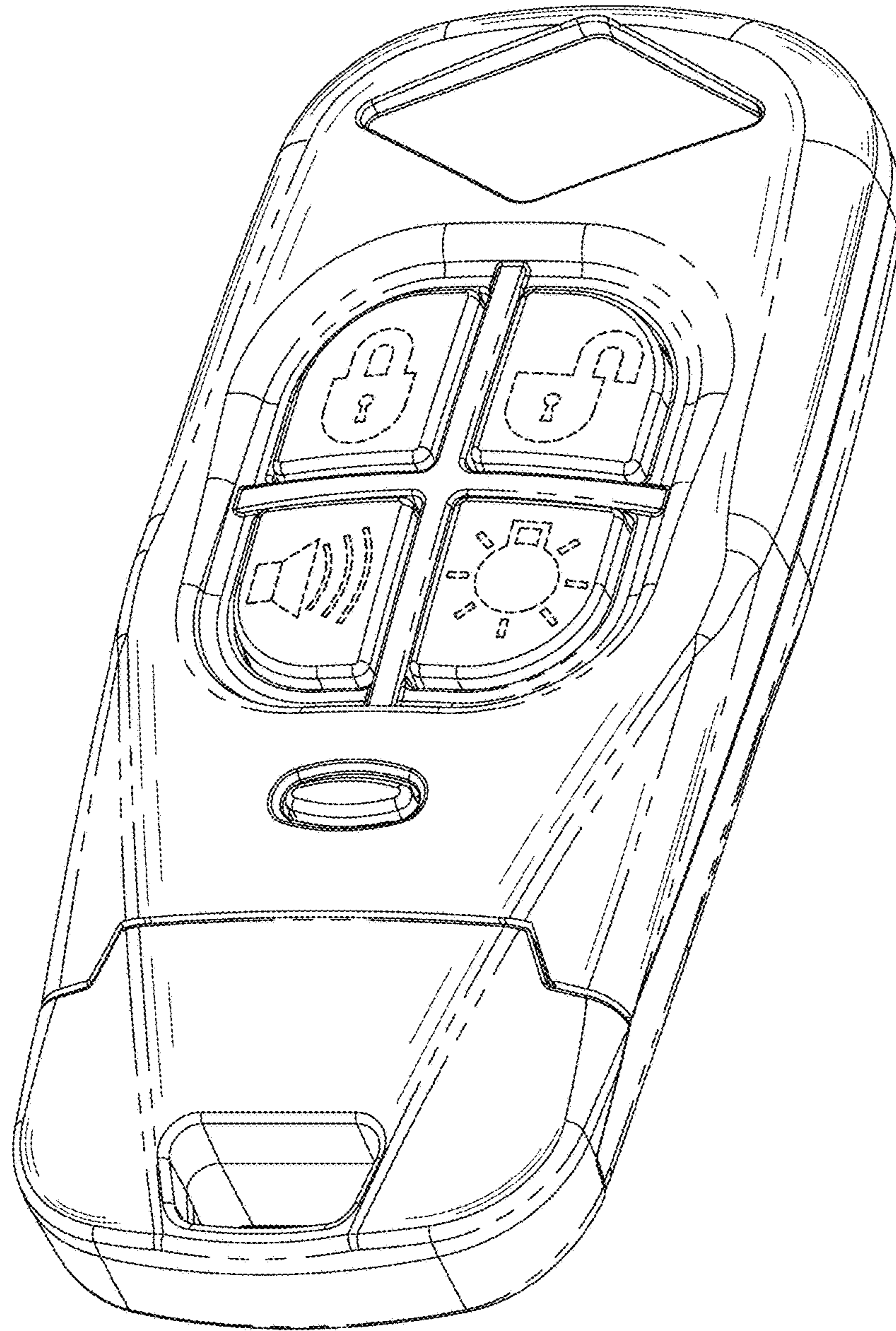


Fig. 1

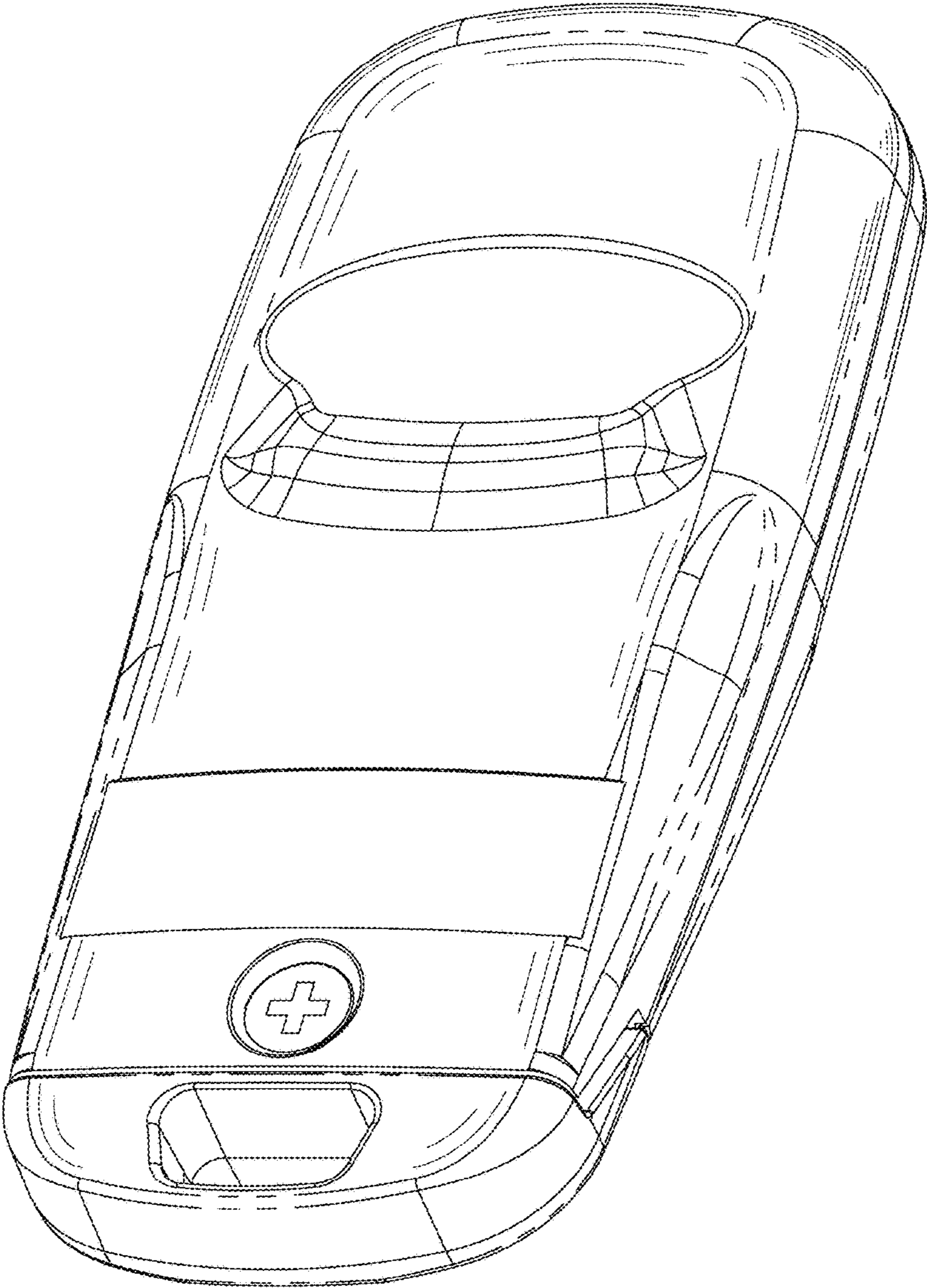


Fig. 2

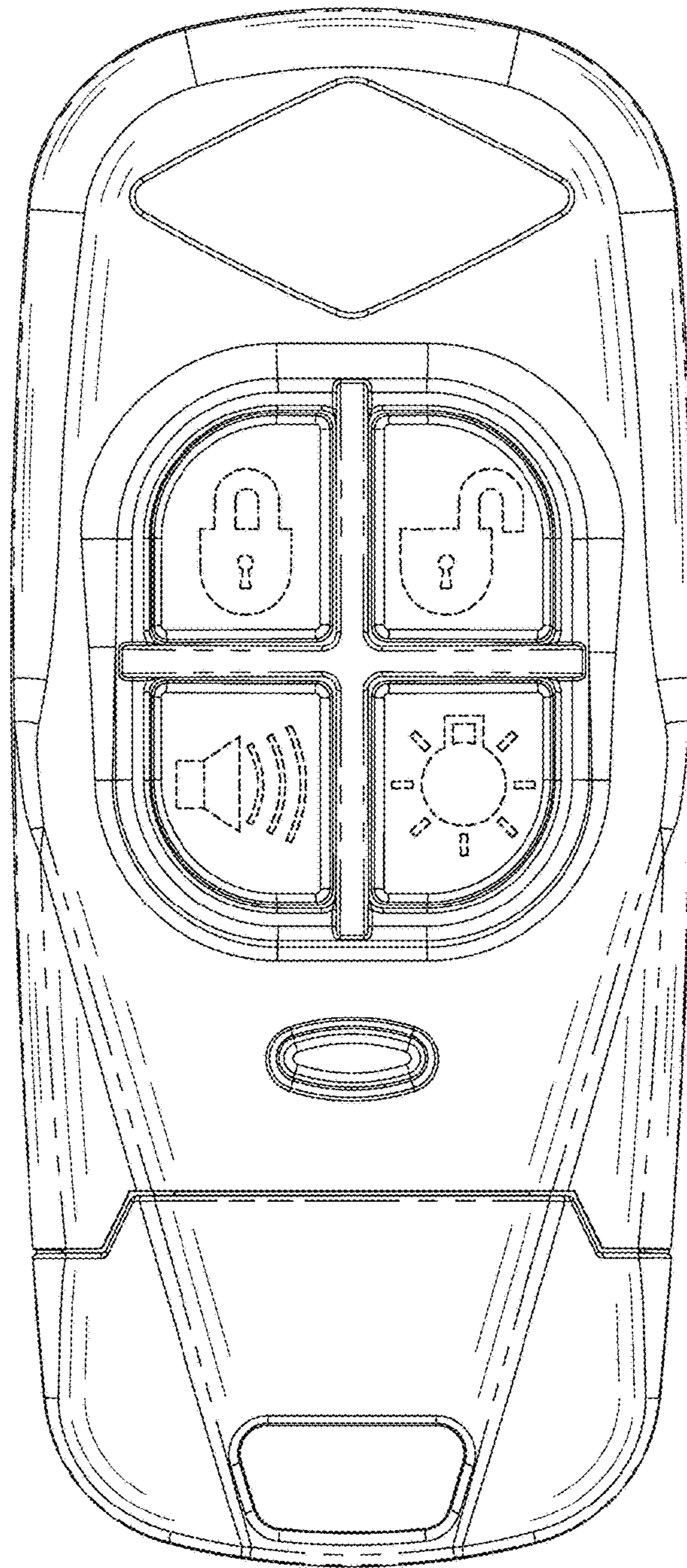


Fig. 3

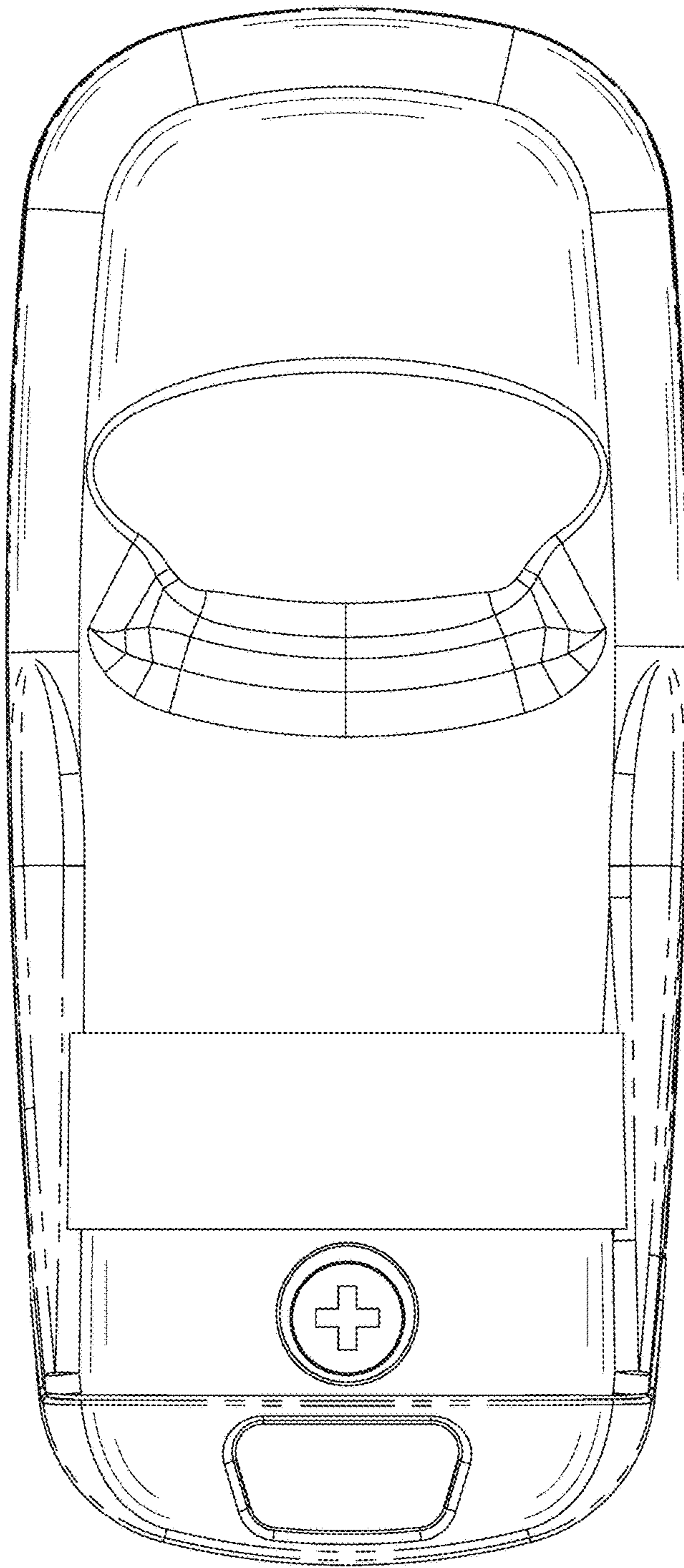


Fig. 4

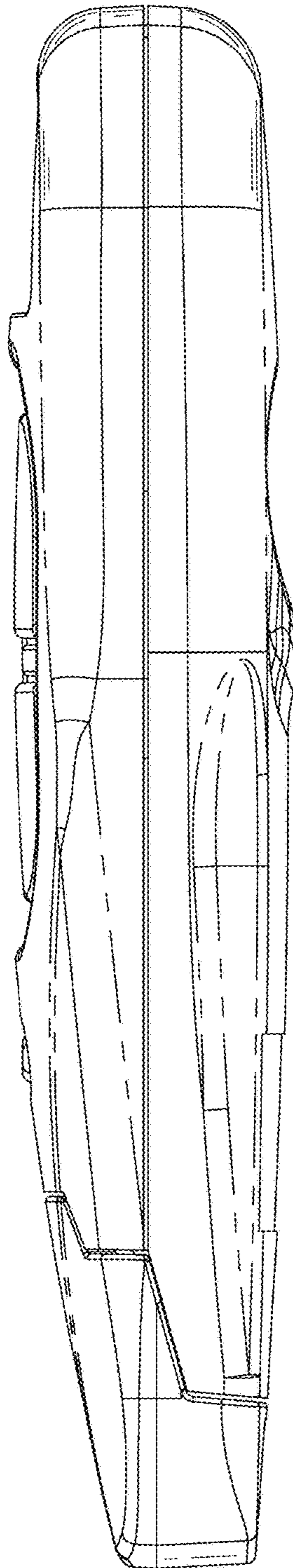


Fig. 5

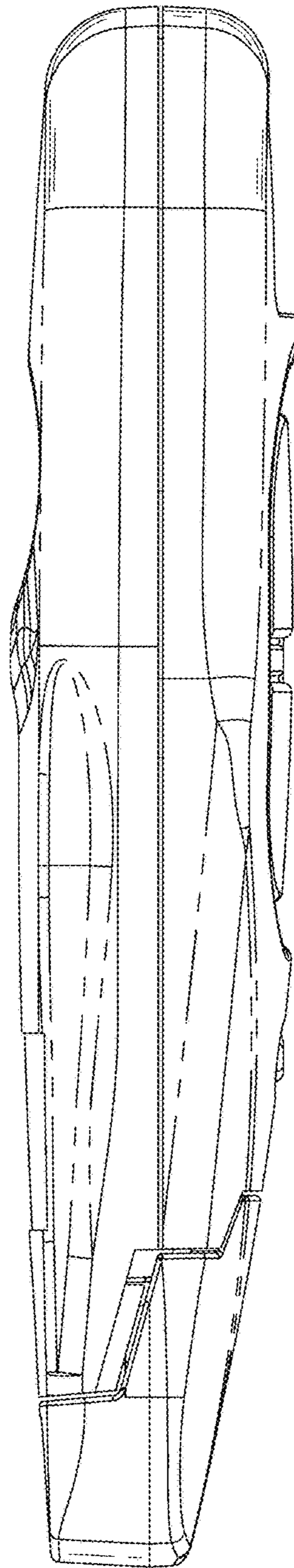


Fig. 6

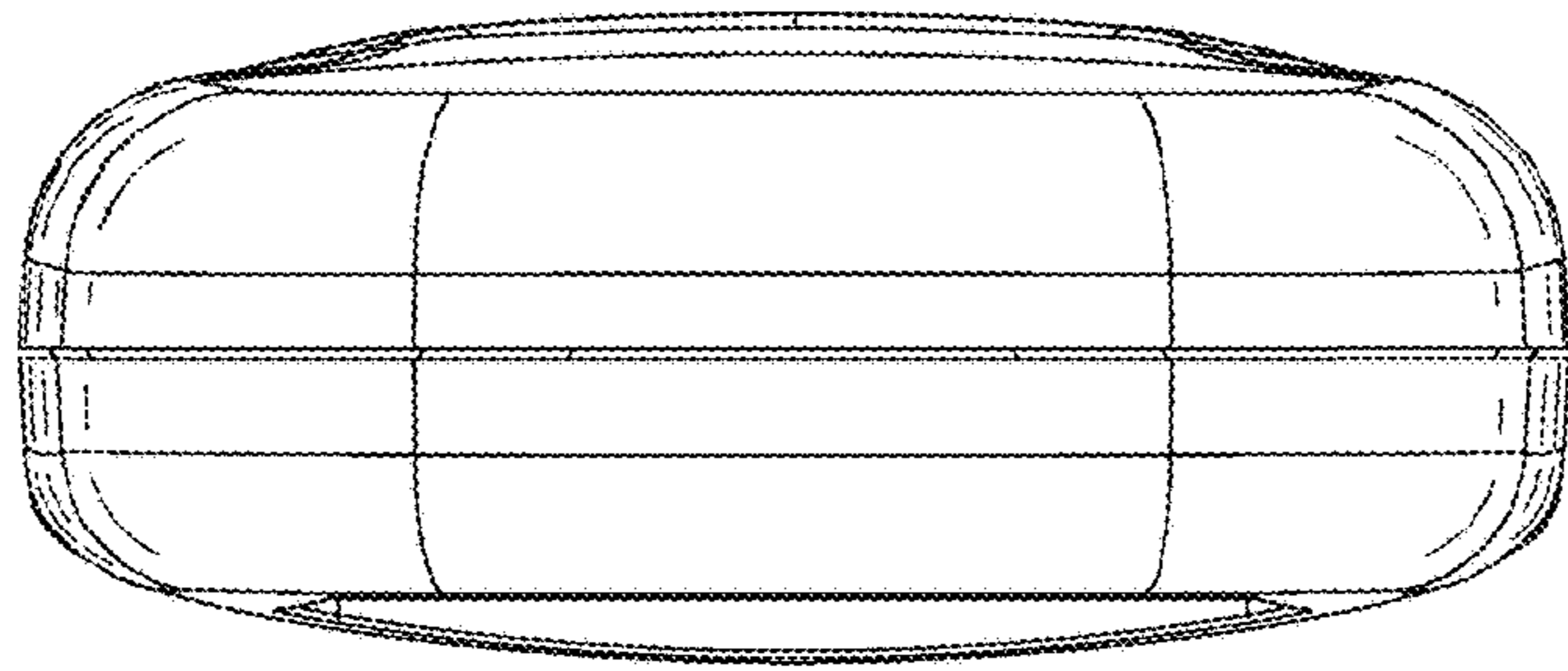


Fig. 7

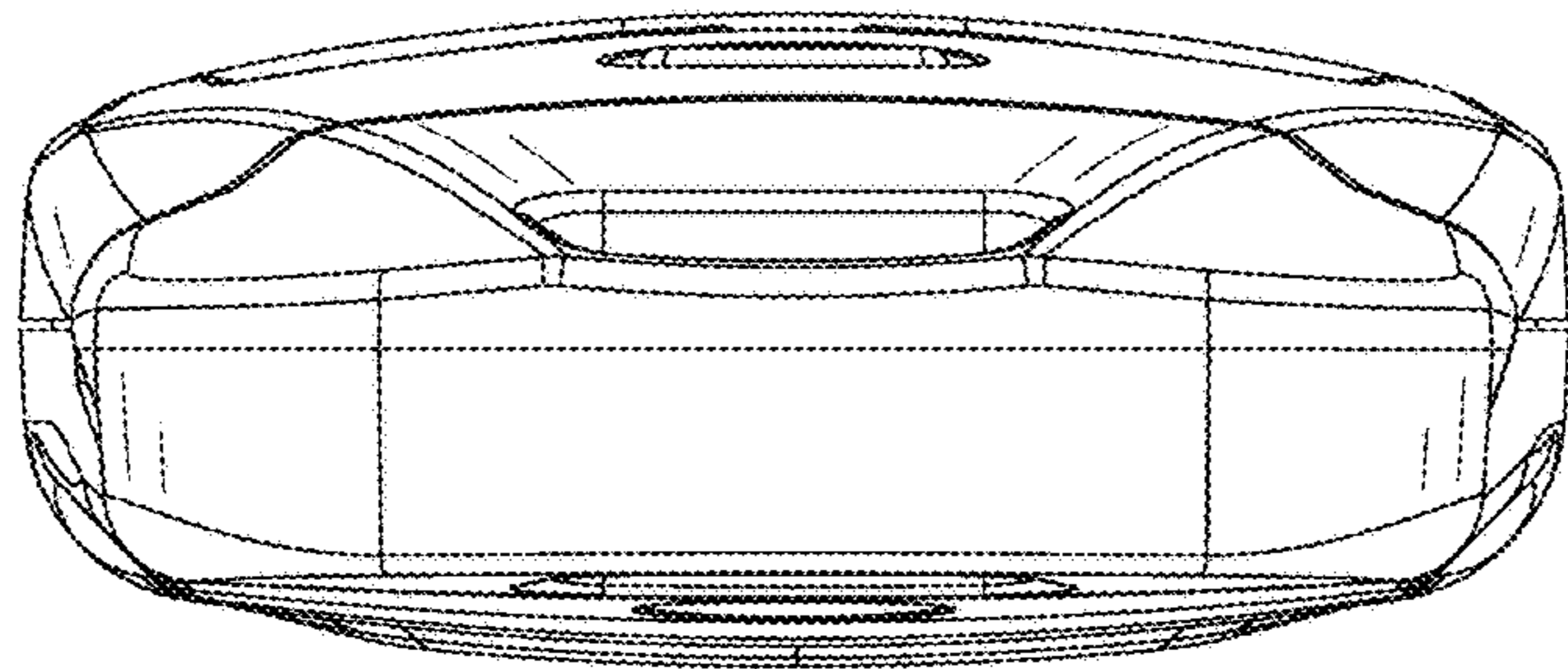


Fig. 8