

US00D861618S

(12) **United States Design Patent** (10) **Patent No.:** **US D861,618 S**
Zhu (45) **Date of Patent:** **** Oct. 1, 2019**

(54) **MOBILE PHONE HOLDER DATA CABLE**

(71) Applicant: **Zenghui Zhu**, Ningbo (CN)

(72) Inventor: **Zenghui Zhu**, Ningbo (CN)

(**) Term: **15 Years**

(21) Appl. No.: **29/695,745**

(22) Filed: **Jun. 21, 2019**

(51) **LOC (12) Cl.** **13-03**

(52) **U.S. Cl.**
USPC **D13/153**

(58) **Field of Classification Search**
USPC D13/153, 108, 147, 102, 118,
D13/139.1–139.8; D14/433
CPC H01R 13/6675
See application file for complete search history.

D804,413 S *	12/2017	McSweyn	D13/108
D810,748 S *	2/2018	Zhang	D14/433
D814,471 S *	4/2018	Kim	D14/433
D816,025 S *	4/2018	Thompson	D13/108
D824,388 S *	7/2018	Fawcett	D14/433
D832,849 S *	11/2018	Kim	D14/433
D833,445 S *	11/2018	Xie	D14/433
D851,047 S *	6/2019	Zhang	D13/153
D851,089 S *	6/2019	Sweet	D14/433
D854,016 S *	7/2019	Laine	D14/433

* cited by examiner

Primary Examiner — Rhea Shields

(74) *Attorney, Agent, or Firm* — Erson IP (Nelson IP)

(57) **CLAIM**

The ornamental design for a mobile phone holder data cable, as shown and described.

DESCRIPTION

FIG. 1 is a perspective view of a mobile phone holder data cable showing my new design; FIG. 2 is another perspective view thereof; FIG. 3 is a front view thereof; FIG. 4 is a rear view thereof; FIG. 5 is a left side view thereof; FIG. 6 is a right side view thereof; FIG. 7 is a top plan view thereof; and, FIG. 8 is a bottom plan view thereof.

The mobile phone holder data cable is shown with a symbolic break in its length. The appearance of any portion of the article between the break lines forms no part of the claimed design.

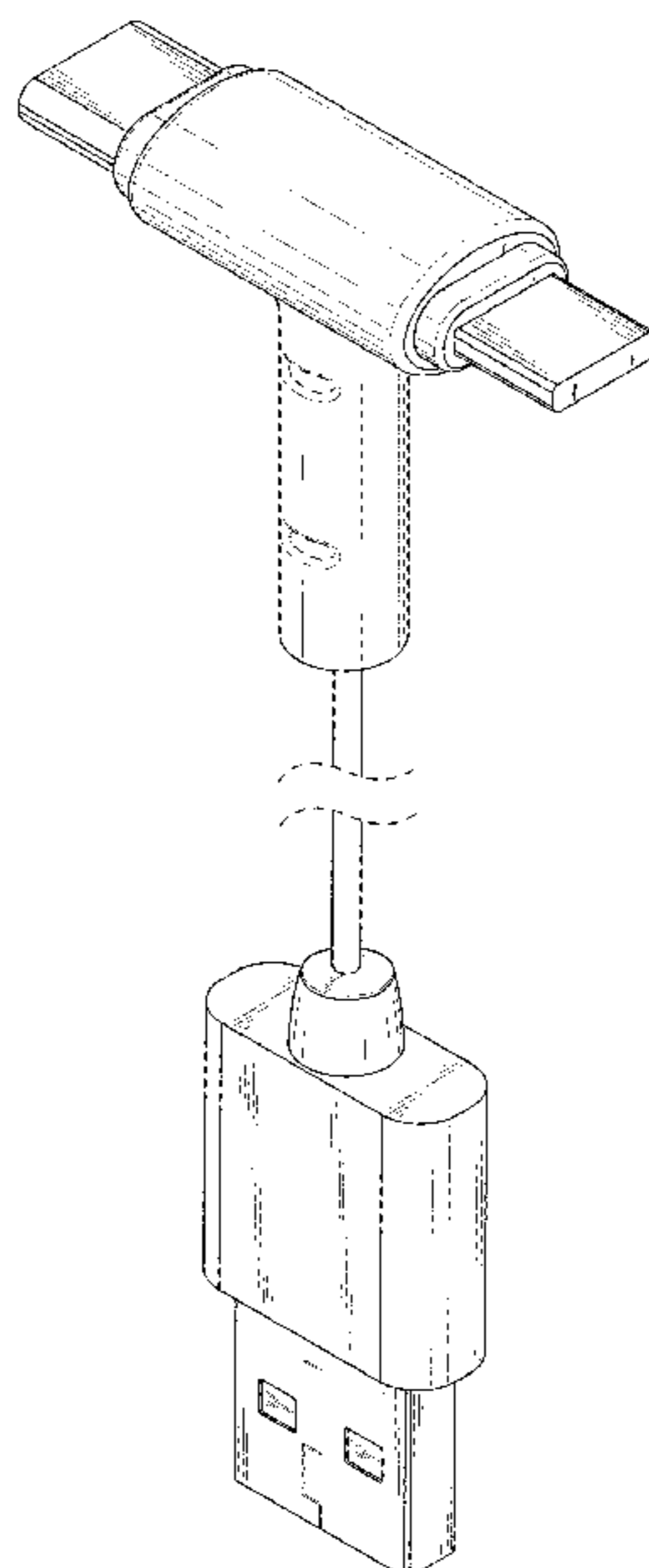
The broken lines are for the purposes of illustrating portions of the mobile phone holder data cable and form no part of the claimed design.

1 Claim, 8 Drawing Sheets

(56) **References Cited**

U.S. PATENT DOCUMENTS

D531,125 S *	10/2006	Wang	D13/147
D557,693 S *	12/2007	Kim	D13/108
D607,817 S *	1/2010	Tan	D13/108
D619,963 S	7/2010	Hou	
D637,952 S *	5/2011	Tan	D13/102
D645,819 S *	9/2011	Lin	D13/118
D664,529 S *	7/2012	Chuang	D13/108
D675,993 S *	2/2013	Izen	D13/147
D692,390 S	10/2013	Smith et al.	
D714,729 S *	10/2014	Akana	D13/147
D716,788 S *	11/2014	Volkan	D13/108
D736,704 S *	8/2015	Liu	D13/108
D741,808 S *	10/2015	Shim	D13/147
D770,974 S *	11/2016	Dentzel	D13/108
D783,541 S *	4/2017	Minn	D13/153
9,660,396 B2 *	5/2017	Chen	H01R 13/6675
D793,962 S *	8/2017	Vandiver	D13/153
D796,436 S *	9/2017	Rivera	D13/108



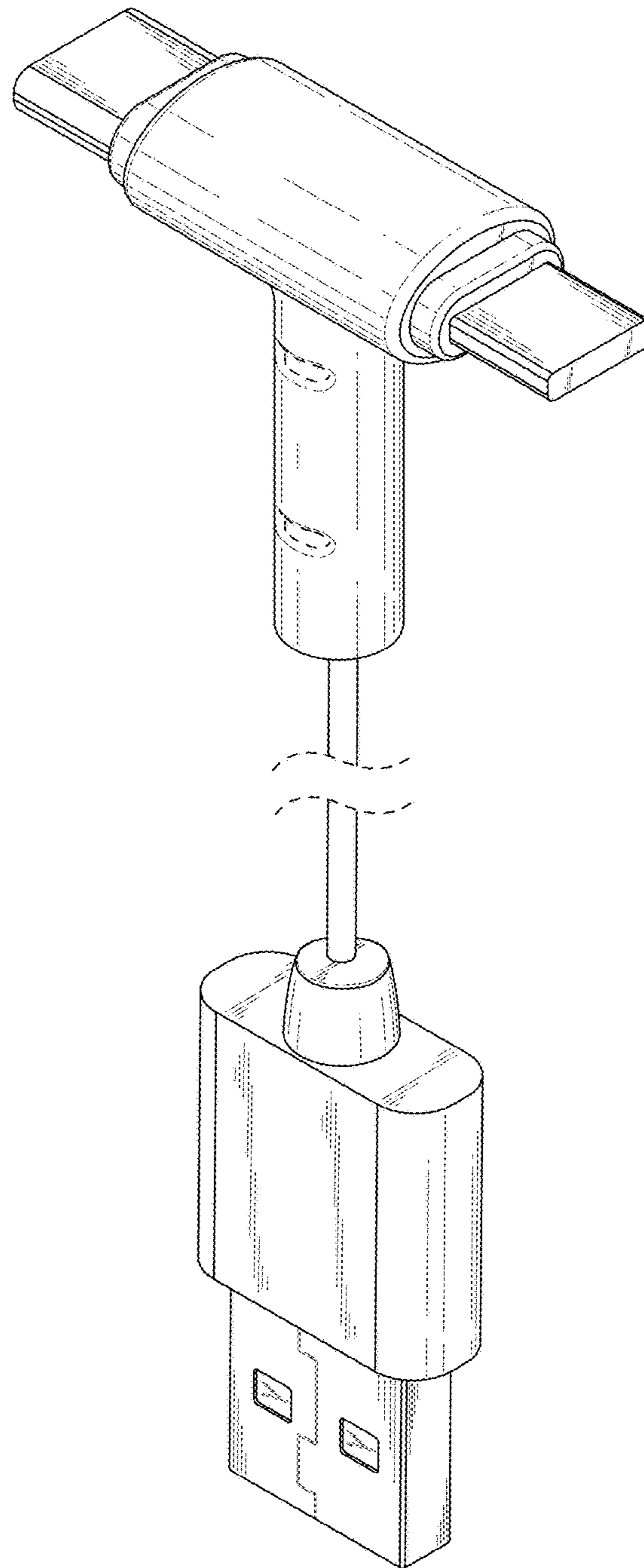


FIG. 1

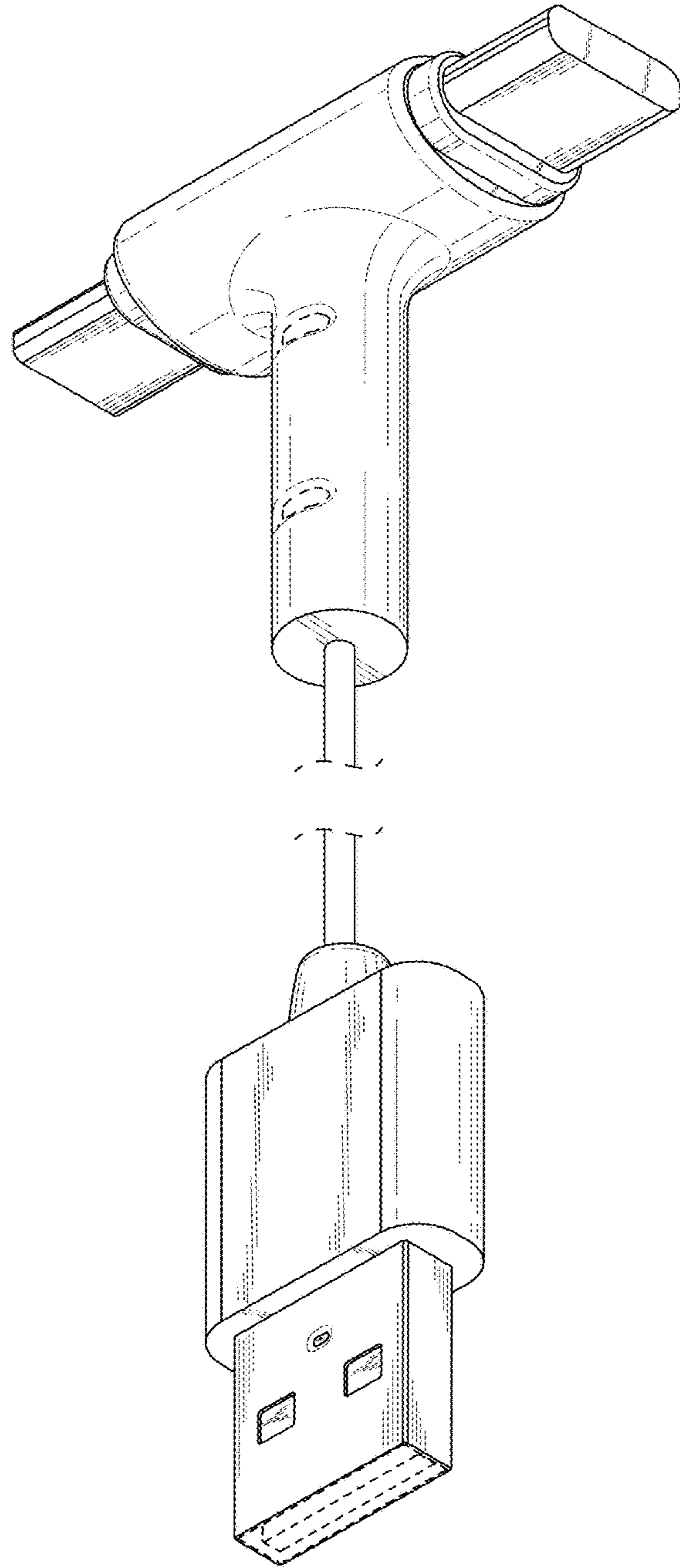


FIG. 2

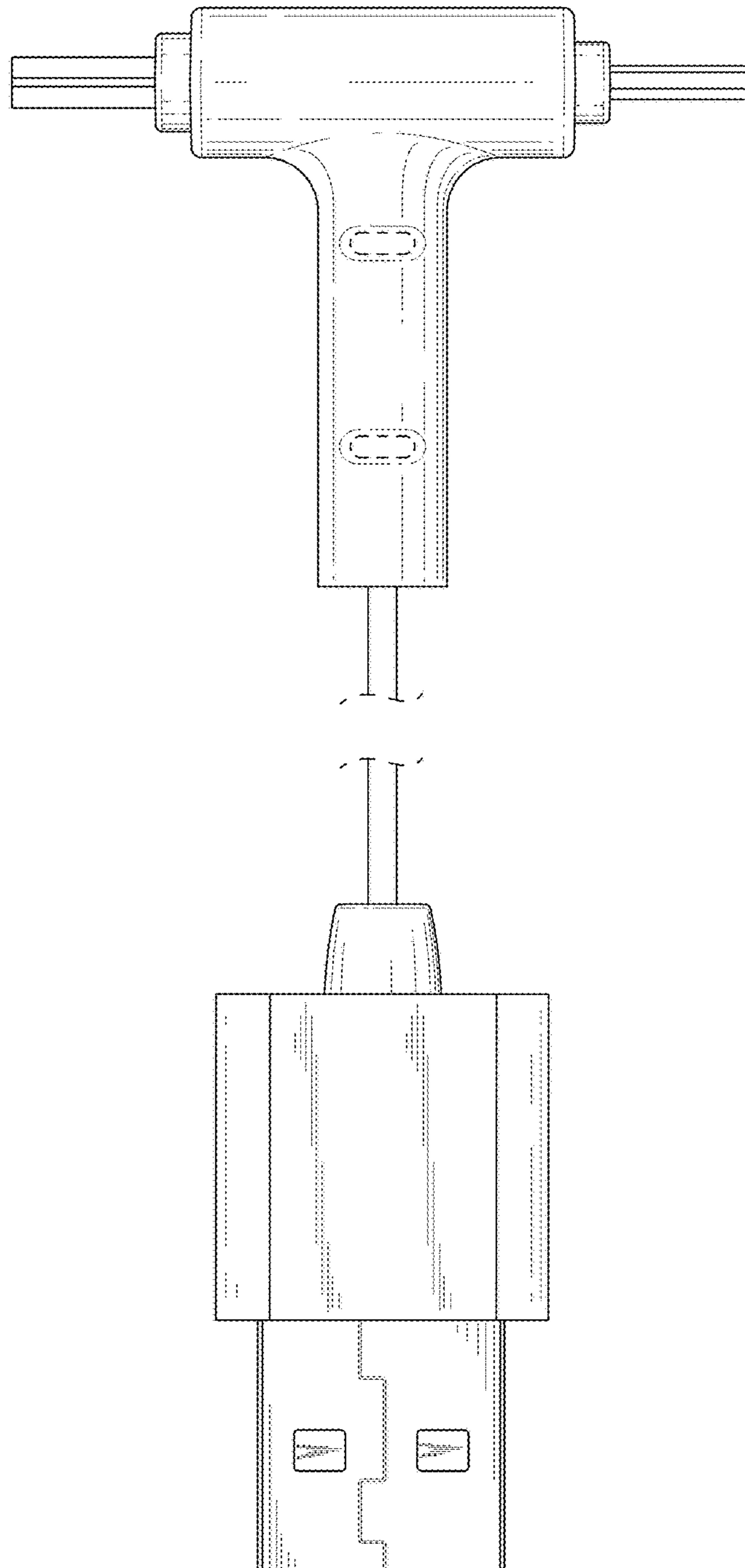


FIG. 3

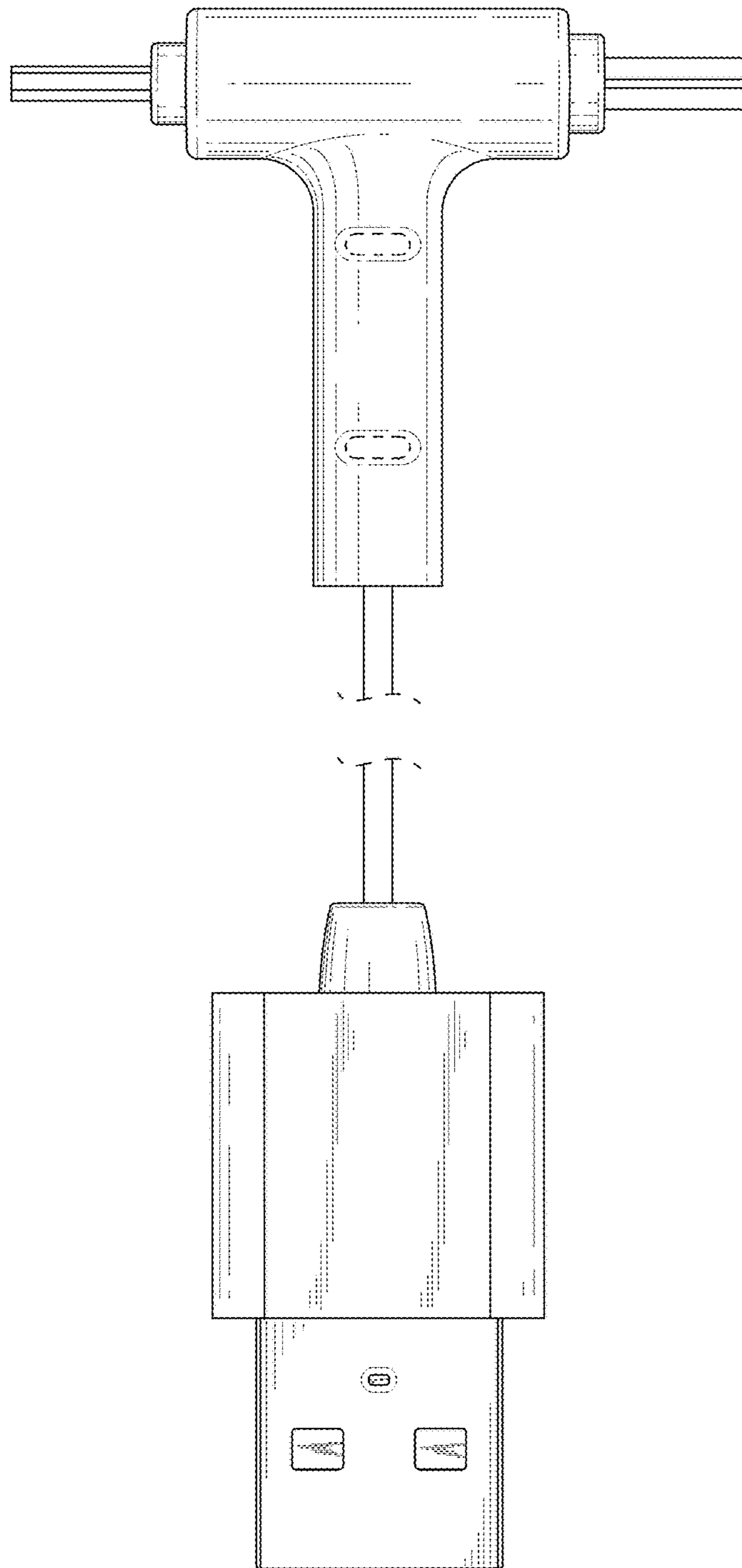


FIG. 4

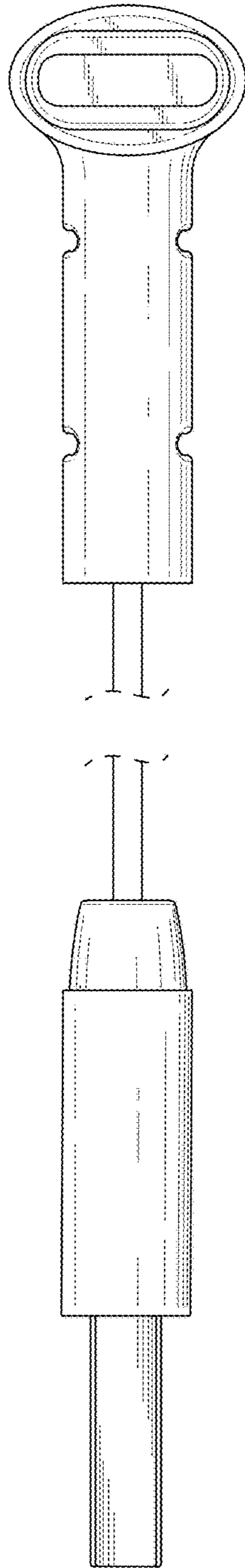


FIG. 5

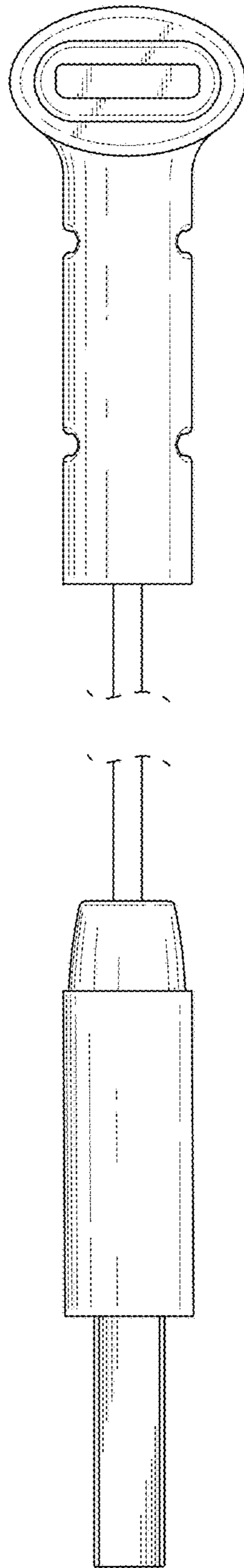


FIG. 6

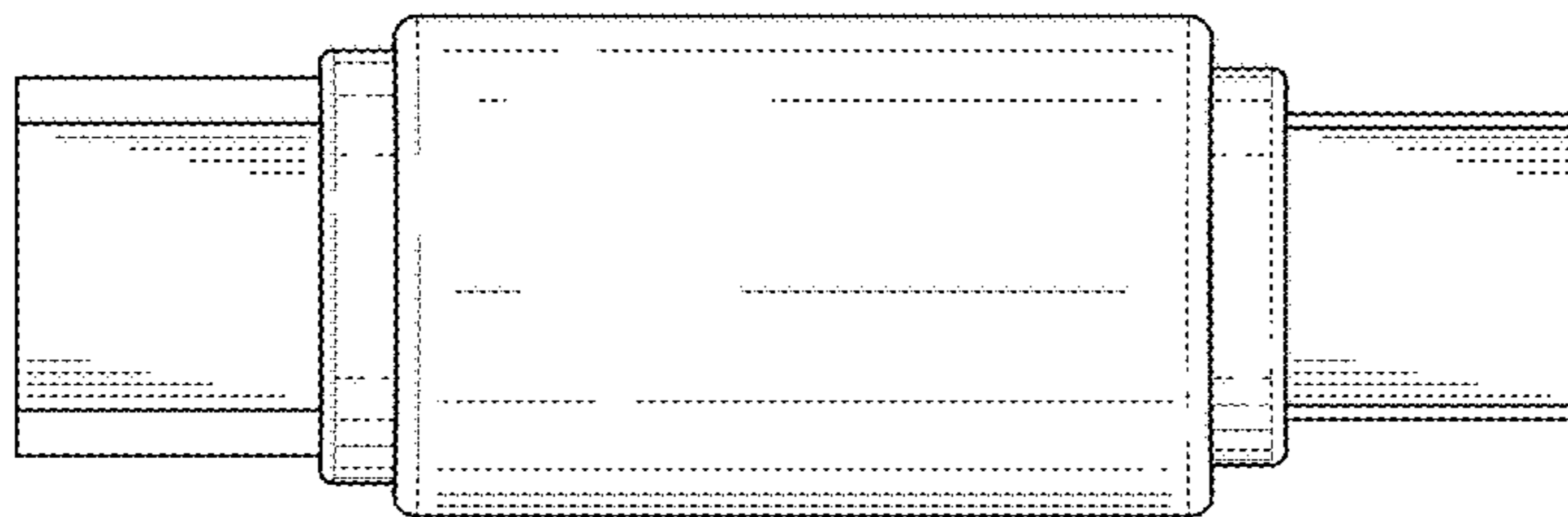


FIG. 7

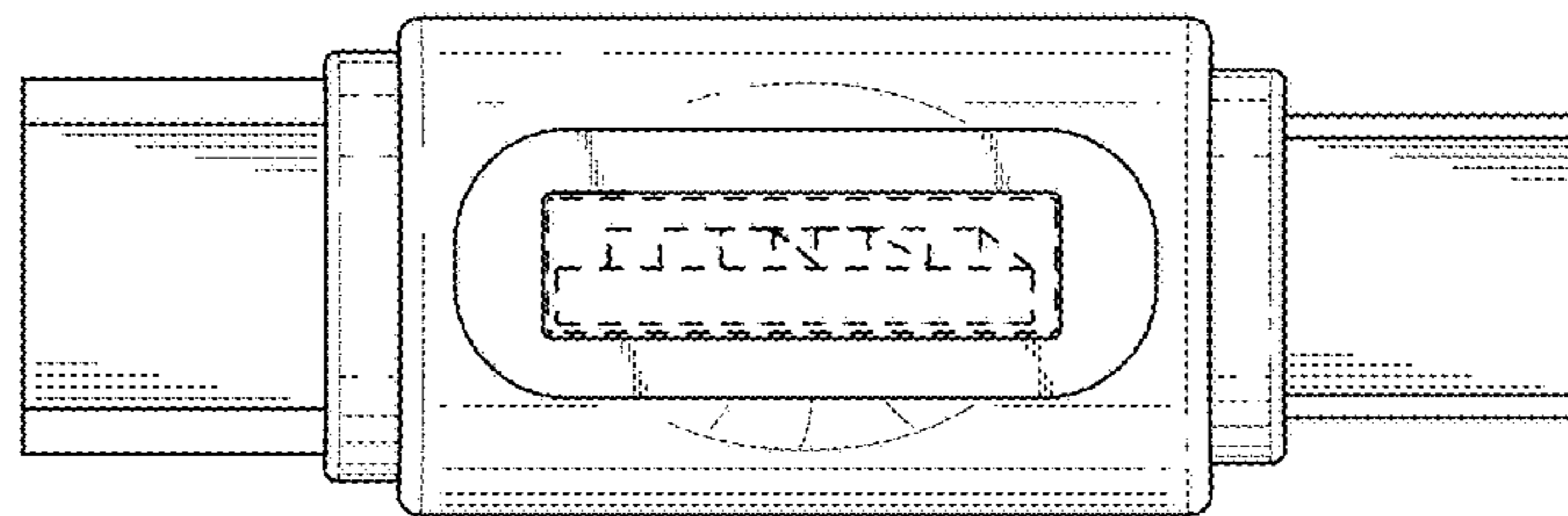


FIG. 8