

US00D861617S

(12) **United States Design Patent** (10) **Patent No.:** **US D861,617 S**  
**Seiffert** (45) **Date of Patent:** **\*\* Oct. 1, 2019**

(54) **ELECTRICAL CONNECTOR** D340,029 S \* 10/1993 Takizawa ..... D13/133  
5,571,023 A \* 11/1996 Anthony ..... H02G 3/14  
220/242

(71) Applicant: **eucrea HEXAGON Holding GmbH,** D453,736 S \* 2/2002 Shimojyo ..... D13/147  
Sternenfels (DE) D474,450 S \* 5/2003 Godfrey ..... D13/154  
D486,127 S \* 2/2004 Donofrio ..... D13/168  
D575,237 S \* 8/2008 Shiga ..... D13/133  
D580,866 S \* 11/2008 Vitito ..... D13/146

(72) Inventor: **Florian Seiffert,** Wiesbaden (DE) D675,573 S \* 2/2013 Farris-Gilbert ..... D13/147  
D691,949 S \* 10/2013 Torma ..... D13/133  
D734,264 S \* 7/2015 Jordan ..... D13/133  
D735,140 S \* 7/2015 Liao ..... D13/147  
D776,059 S \* 1/2017 Kim ..... D13/147  
D789,298 S \* 6/2017 Dobler ..... D13/133

(73) Assignee: **eucrea HEXAGON Holding GmbH,** 2011/0065305 A1 \* 3/2011 Amit ..... B60L 11/005  
Sternenfels (DE) 439/368

(\*\*) Term: **15 Years** 2015/0079829 A1 \* 3/2015 Brodsgaard ..... H01R 24/84  
439/284

(21) Appl. No.: **29/592,836**

(22) Filed: **Feb. 2, 2017**

(30) **Foreign Application Priority Data**

Aug. 2, 2016 (EM) ..... 003327378-0001

(51) **LOC (12) Cl.** ..... **13-03**

(52) **U.S. Cl.**  
USPC ..... **D13/146**

(58) **Field of Classification Search**  
USPC ..... D13/110, 118, 123, 133, 146, 147, 154,  
D13/156, 173, 177, 184, 199  
CPC . H01R 9/00; H01R 9/03; H01R 12/00; H01R  
12/58; H01R 12/585; H01R 12/72; H01R  
13/00; H01R 13/05; H01R 13/436; H01R  
13/516; H01R 13/60; H01R 13/62; H01R  
13/6471; H01R 13/648; H01R 13/658;  
H01R 13/6597  
See application file for complete search history.

(56) **References Cited**

U.S. PATENT DOCUMENTS

3,129,993 A \* 4/1964 Ross ..... H01R 13/64  
439/294  
D316,399 S \* 4/1991 Wharton ..... D13/133

\* cited by examiner

*Primary Examiner* — Angela J Lee  
*Assistant Examiner* — Shawn T Gingrich  
(74) *Attorney, Agent, or Firm* — Jones Robb, PLLC

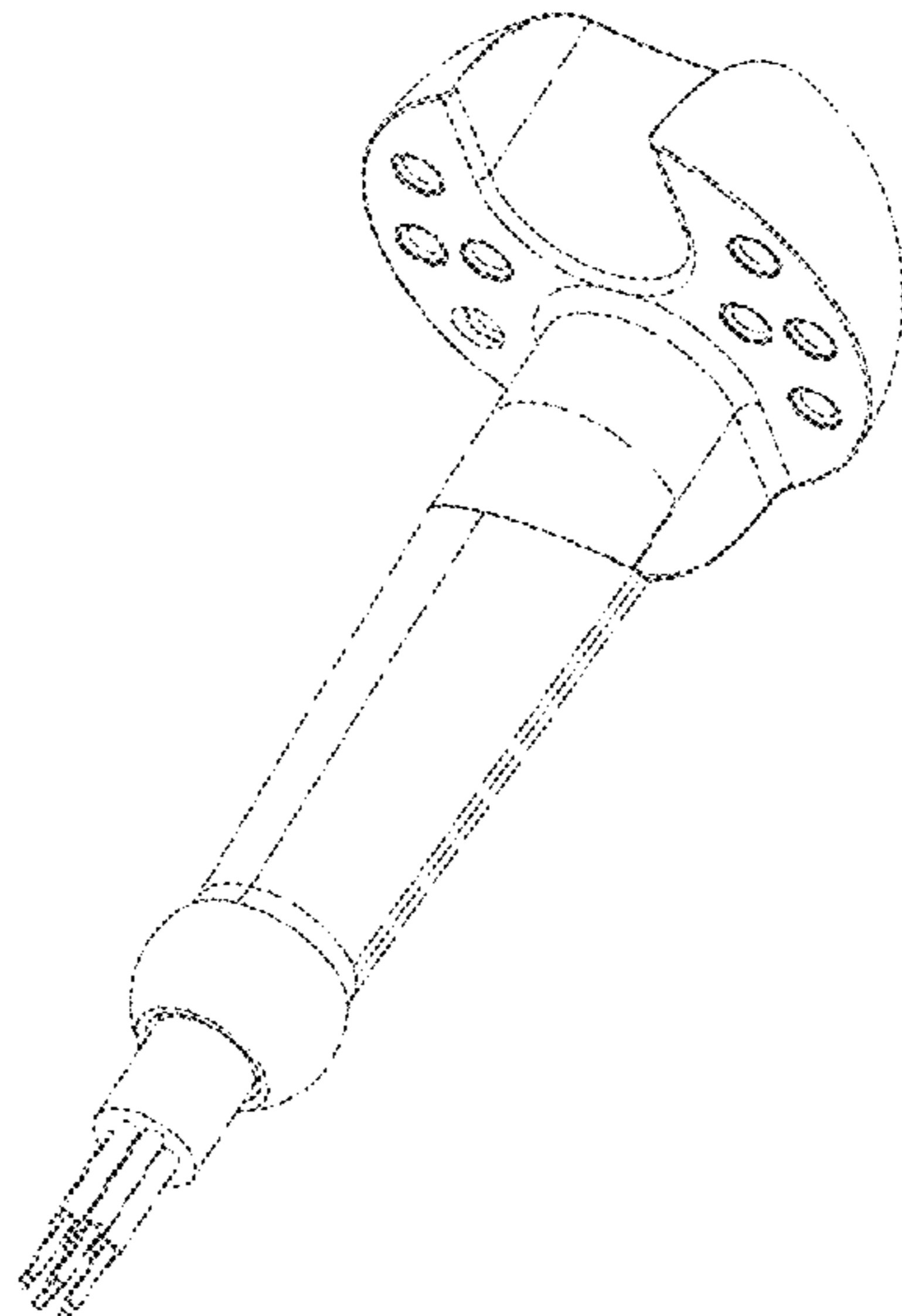
(57) **CLAIM**

The ornamental design for an electrical connector, as shown and described.

**DESCRIPTION**

FIG. 1 is a front view of an electrical connector showing my new design.  
FIG. 2 is a top view thereof.  
FIG. 3 is a right side view thereof.  
FIG. 4 is a rear view thereof.  
FIG. 5 is a left side view thereof; and,  
FIG. 6 is a perspective view thereof.

**1 Claim, 6 Drawing Sheets**



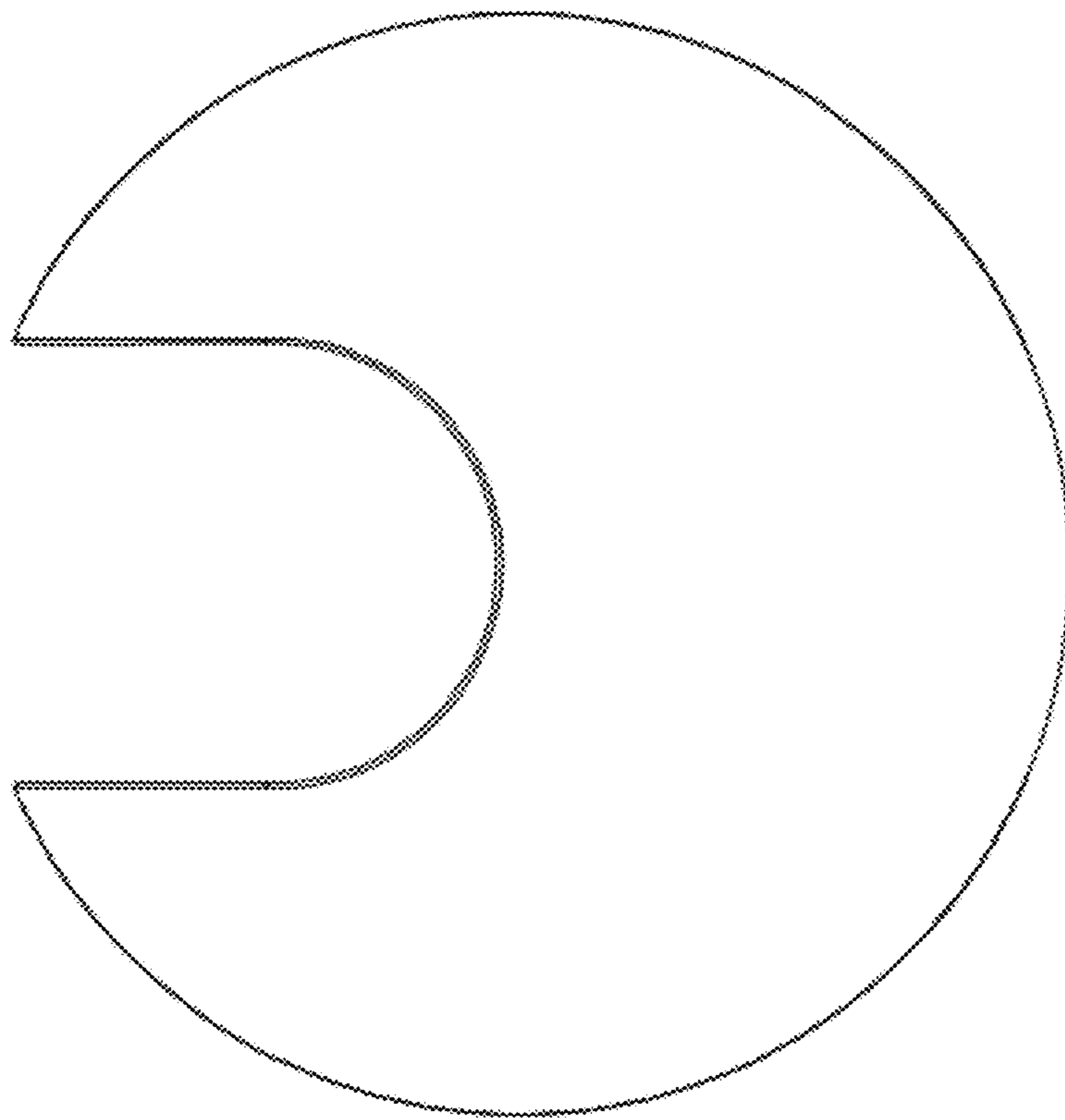


FIG. 1

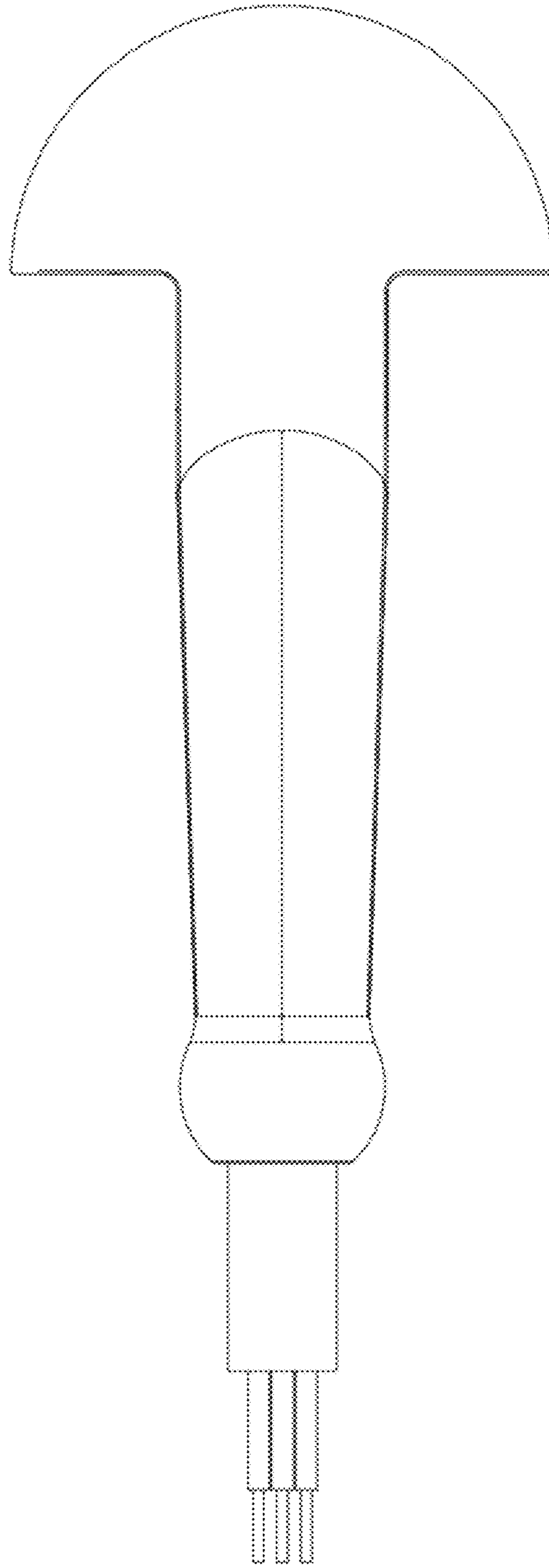


FIG. 2

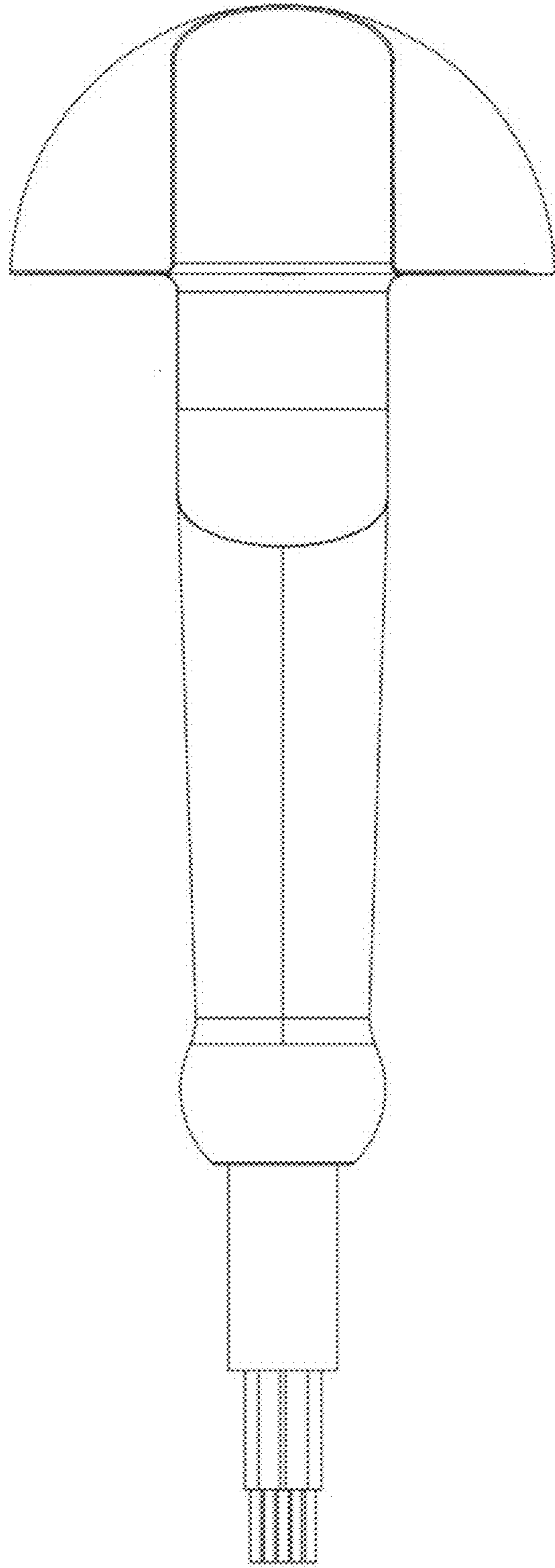


FIG. 3

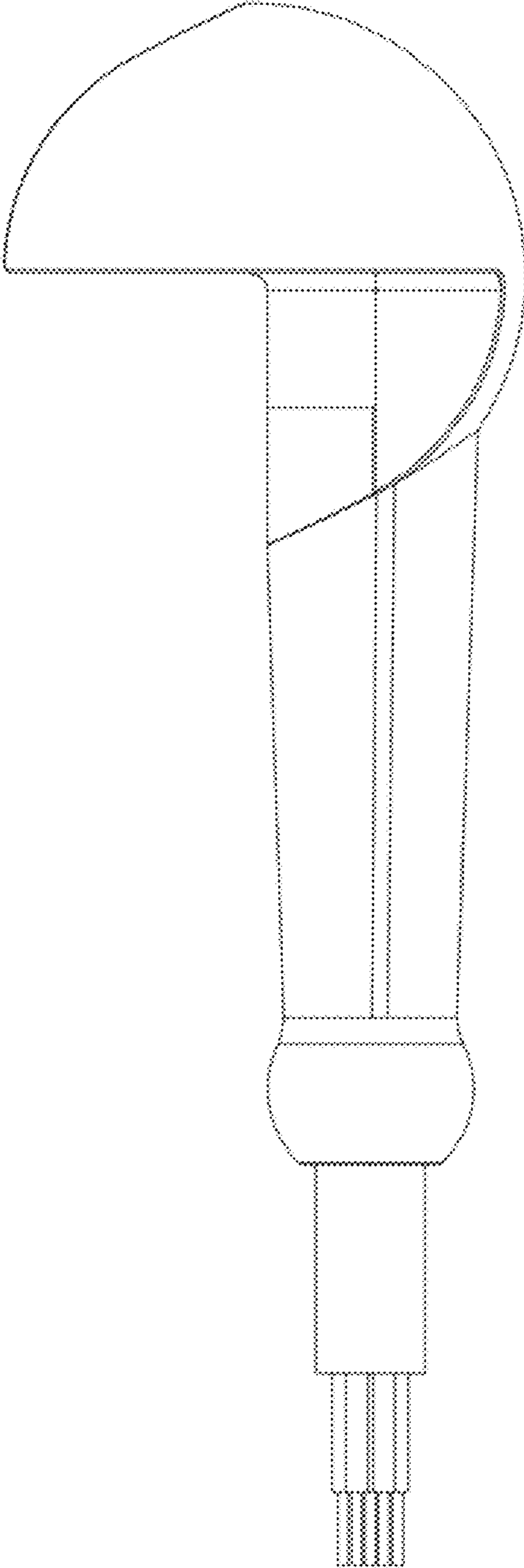


FIG. 4

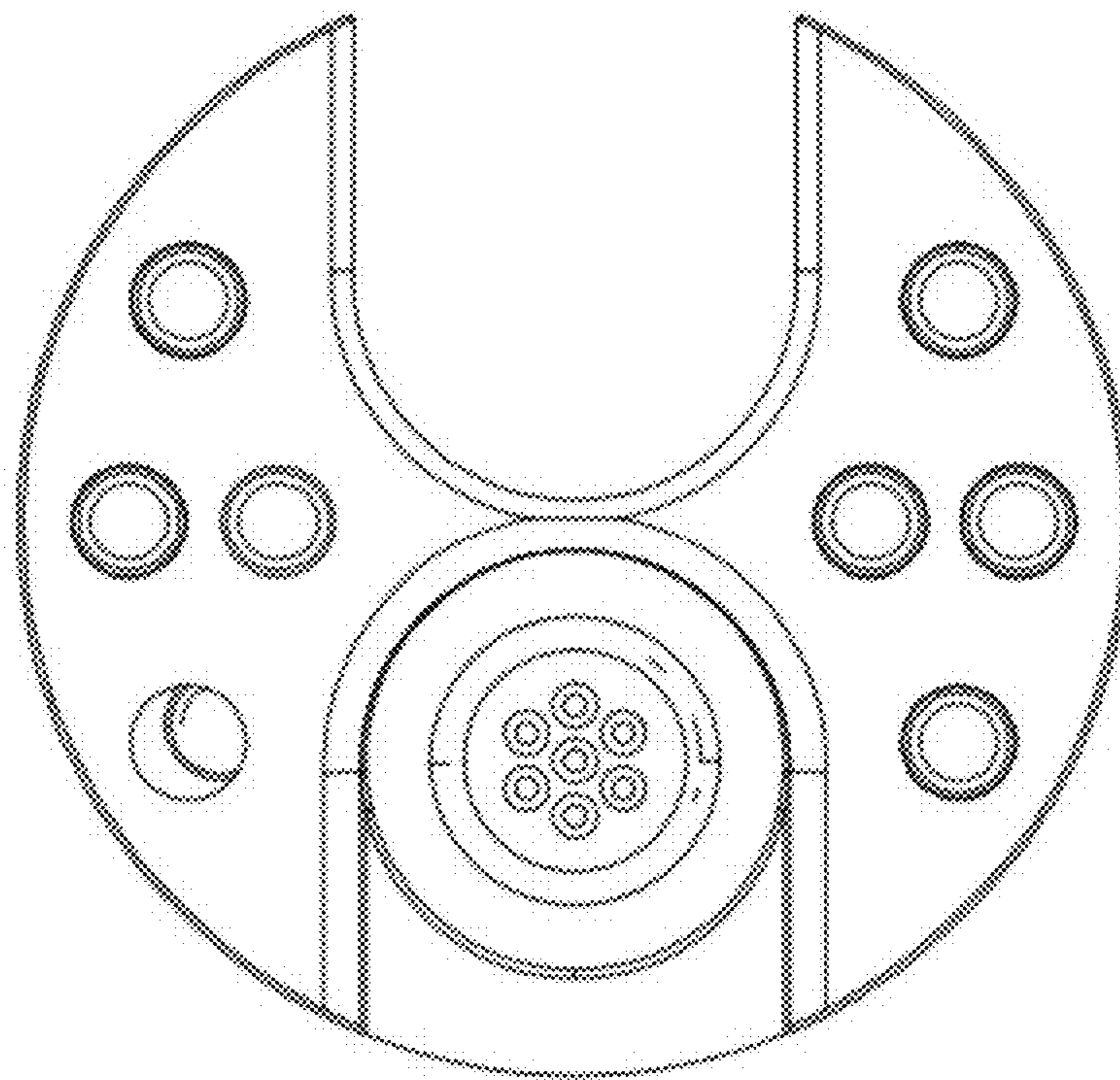


FIG. 5

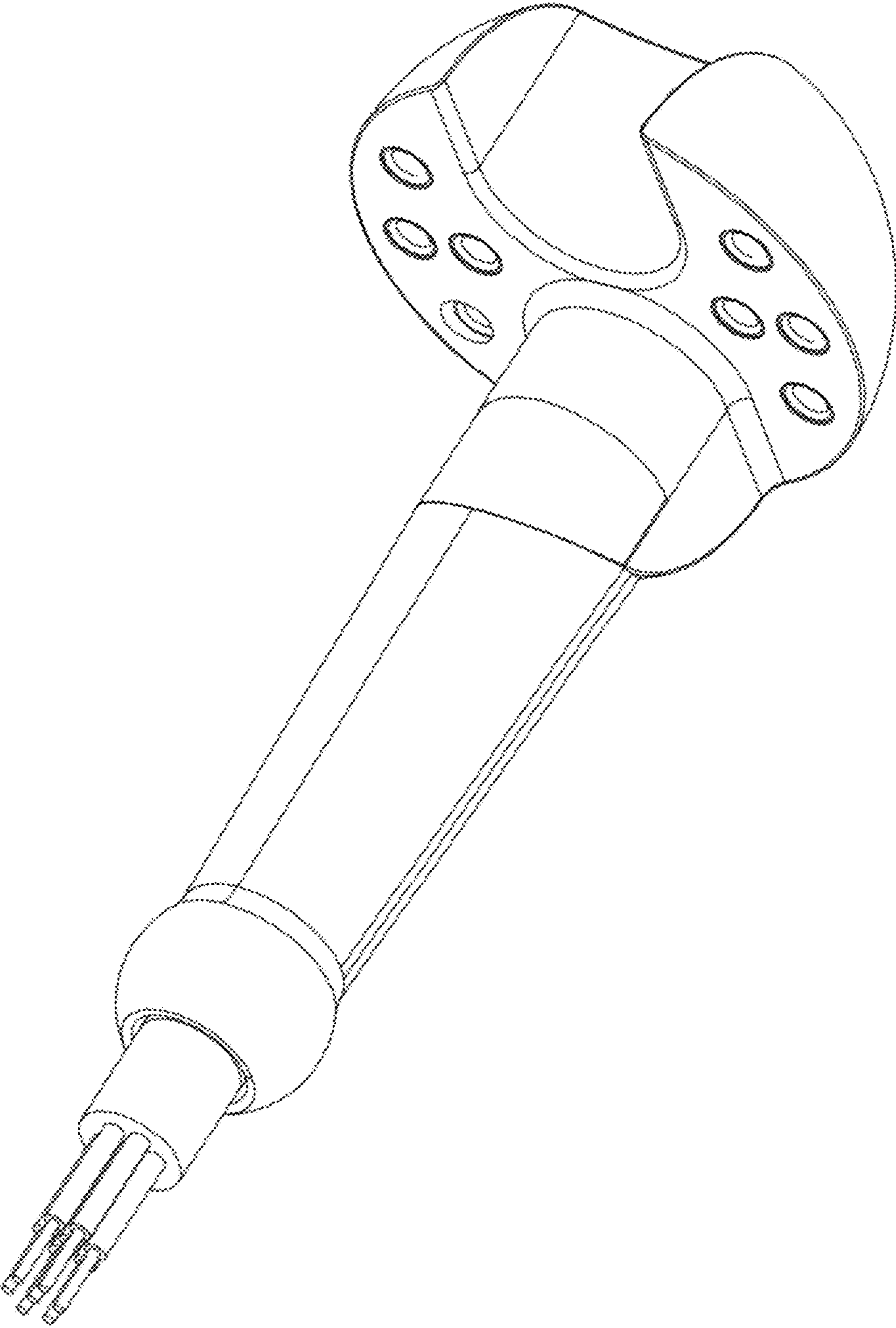


FIG. 6