



US00D861616S

(12) **United States Design Patent**
Jhun et al.

(10) **Patent No.:** **US D861,616 S**
(45) **Date of Patent:** **** Oct. 1, 2019**

(54) **TABLETOP MEDIA CENTER**

(71) Applicant: **Crestron Electronics, Inc.**, Rockleigh, NJ (US)

(72) Inventors: **Sae Jhun**, New York, NY (US); **Wendy Feldstein**, Old Tappan, NJ (US)

(73) Assignee: **Crestron Electronics, Inc.**, Rockleigh, NJ (US)

(**) Term: **15 Years**

(21) Appl. No.: **29/687,168**

(22) Filed: **Apr. 11, 2019**

Related U.S. Application Data

(63) Continuation-in-part of application No. 29/636,852, filed on Feb. 12, 2018.

(51) **LOC (12) Cl.** **13-03**

(52) **U.S. Cl.**
USPC **D13/139.4; D14/134; D6/642**

(58) **Field of Classification Search**
USPC **D13/107-108, 139.4-139.6, 162-164; D14/304-305, 307-308, 311, 434; D6/641-642, 655, 691.1; D9/422; D12/423**

CPC **A47B 21/06; A47B 2021/066; A47B 2200/0082**

See application file for complete search history.

(56) **References Cited**

U.S. PATENT DOCUMENTS

D176,176 S * 11/1955 Dahlgren D6/655.23
3,373,703 A * 3/1968 Barecki A47B 21/06
108/50.01
D224,637 S * 8/1972 Ball D6/641
D275,913 S * 10/1984 Mulligan D6/301
D289,474 S * 4/1987 Underwood D6/642

D314,555 S * 2/1991 Brown, Jr. D13/164
D329,944 S * 10/1992 Longtin D12/423
D353,363 S * 12/1994 Toby D13/139.4

(Continued)

OTHER PUBLICATIONS

Furniture Integration, posted at AVolution AV, posting date Jul. 7, 2015. Site visited May 7, 2019. URL: (Year: 2015).*

Primary Examiner — Kevin K Rudzinski

Assistant Examiner — Kathleen L Jones

(74) *Attorney, Agent, or Firm* — Crestron Electronics, Inc.

(57) **CLAIM**

The ornamental design for a tabletop media center, as shown and described.

DESCRIPTION

FIG. 1 shows a front-top perspective view of a tabletop media center with a top cover in a closed position, wherein the top cover includes a pattern on its top surface.

FIG. 2 shows a top view of the tabletop media center with the top cover in a closed position.

FIG. 3 shows a front view of the tabletop media center with the top cover in a closed position.

FIG. 4 shows a rear view of the tabletop media center with the top cover in a closed position.

FIG. 5 shows a left side view of the tabletop media center with the top cover in a closed position.

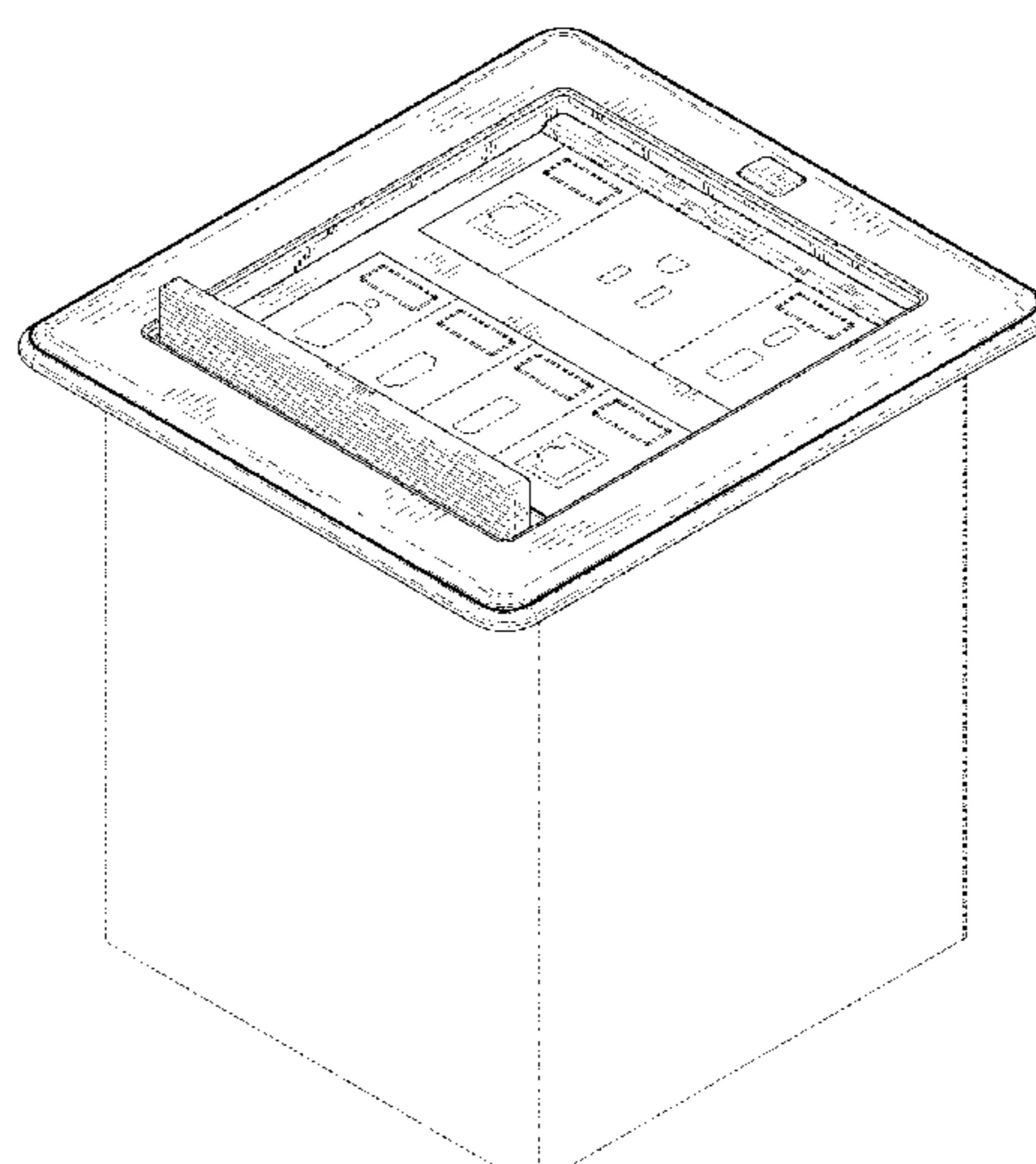
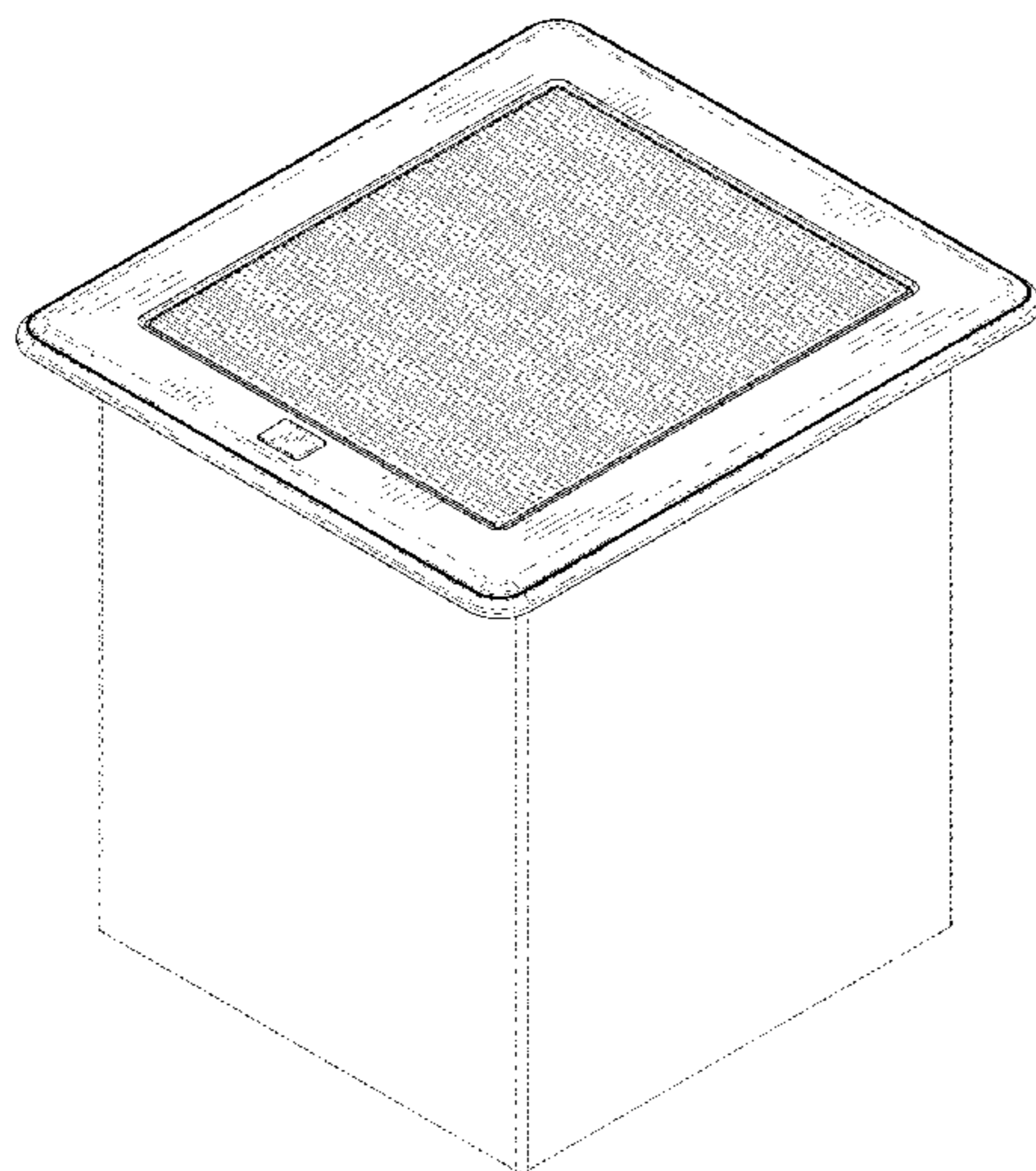
FIG. 6 shows a right side view of the tabletop media center with the top cover in a closed position.

FIG. 7 shows a front-top perspective view of the tabletop media center with the top cover in an opened position.

FIG. 8 shows a rear-top perspective view of the tabletop media center with the top cover in an opened position; and, FIG. 9 shows a top view of the tabletop media center with the top cover in an opened position.

The broken lines in the figures depict portions of the tabletop media center that form no part of the claimed design.

1 Claim, 9 Drawing Sheets



(56)

References Cited

U.S. PATENT DOCUMENTS

5,709,156 A * 1/1998 Gevaert A47B 21/06
 108/26
 D392,254 S * 3/1998 Gevaert D13/139.4
 D421,961 S * 3/2000 Muller D13/139.4
 D503,296 S * 3/2005 Mason D6/642
 D513,909 S * 1/2006 Bibi D6/691.1
 D639,244 S * 6/2011 Byrne D13/139.4
 D660,237 S * 5/2012 Byrne D13/139.4
 D662,480 S * 6/2012 Daniel D14/125
 D665,355 S * 8/2012 Byrne D13/139.4
 D666,556 S * 9/2012 Byrne D13/139.4
 D682,213 S * 5/2013 Byrne D13/139.4
 D701,830 S * 4/2014 Edwards D13/107
 D709,031 S * 7/2014 Byrne D13/139.4
 D709,832 S * 7/2014 Byrne D13/139.4
 D715,740 S * 10/2014 Byrne D13/139.4
 D766,610 S * 9/2016 Johnson D6/406.1
 D839,200 S * 1/2019 Lee D13/139.4
 2005/0268823 A1 * 12/2005 Bakker A47B 21/06
 108/50.02
 2008/0277134 A1 * 11/2008 Jolly H02G 3/12
 174/67
 2012/0200989 A1 * 8/2012 Byrne H01R 13/447
 361/641
 2014/0124641 A1 * 5/2014 Kassanoff A47B 17/04
 248/447
 2019/0148874 A1 * 5/2019 Sorrentino H01R 13/5213
 2019/0166707 A1 * 5/2019 Pedoeem H05K 5/0217

* cited by examiner

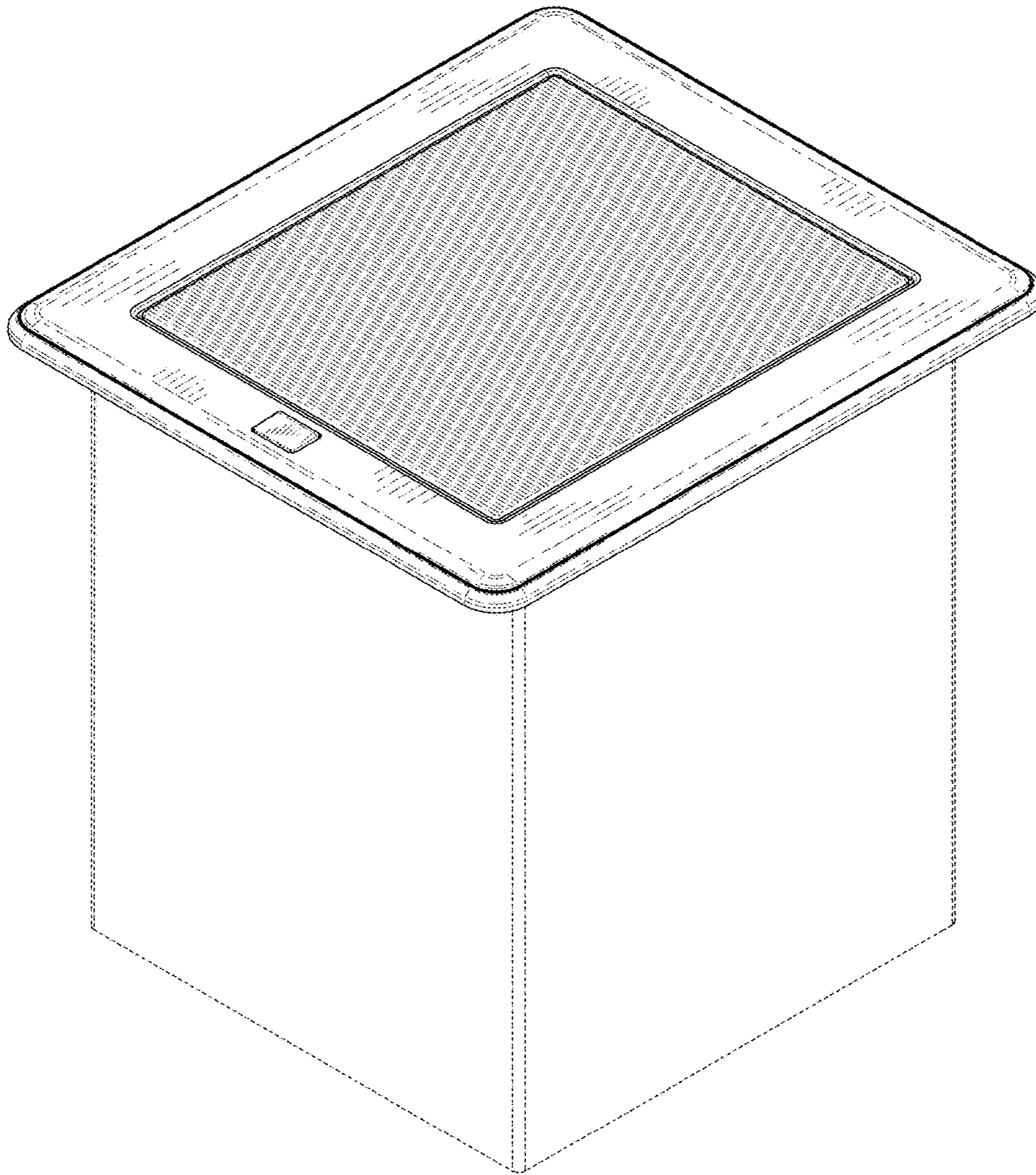


FIG. 1

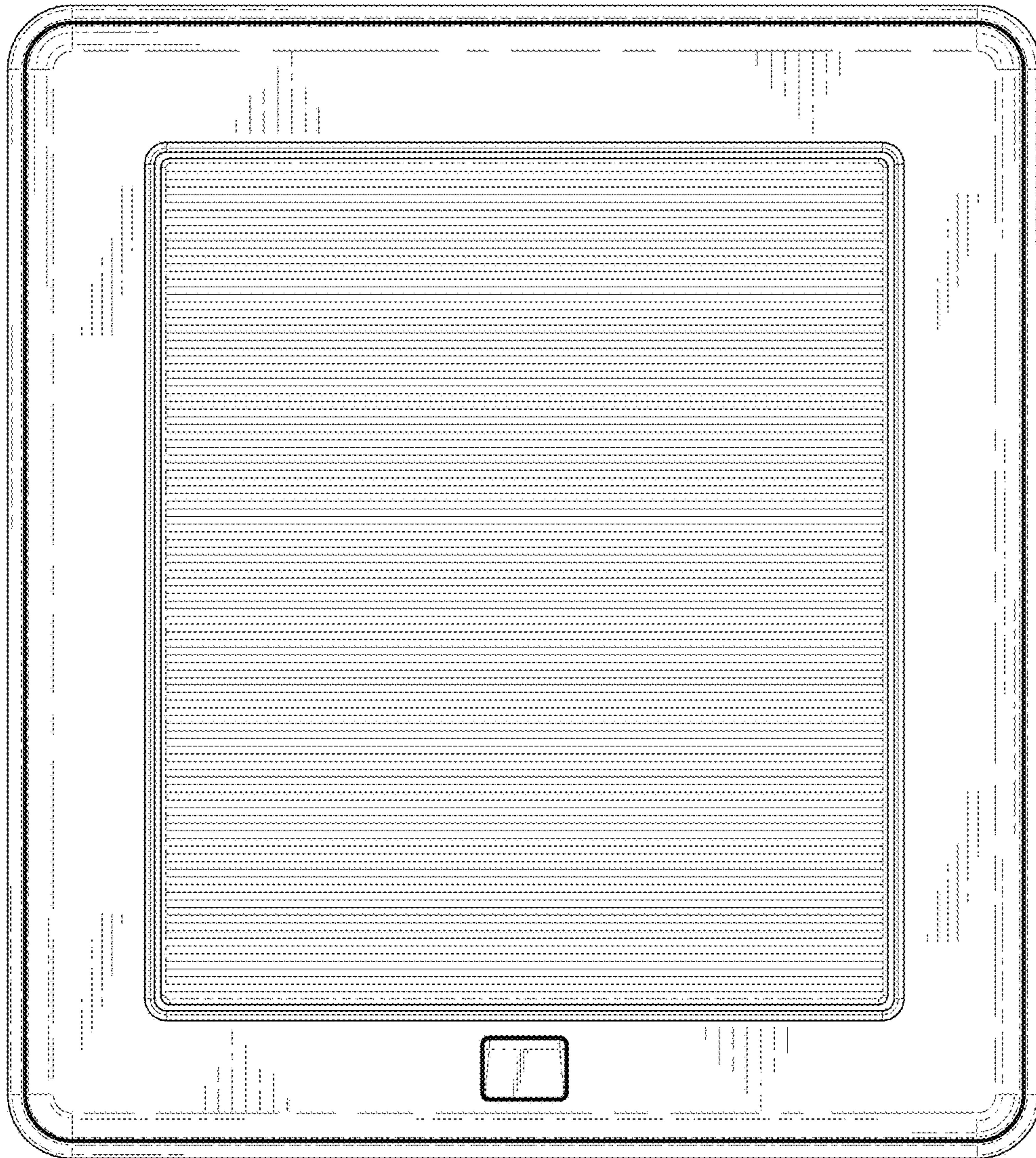


FIG. 2

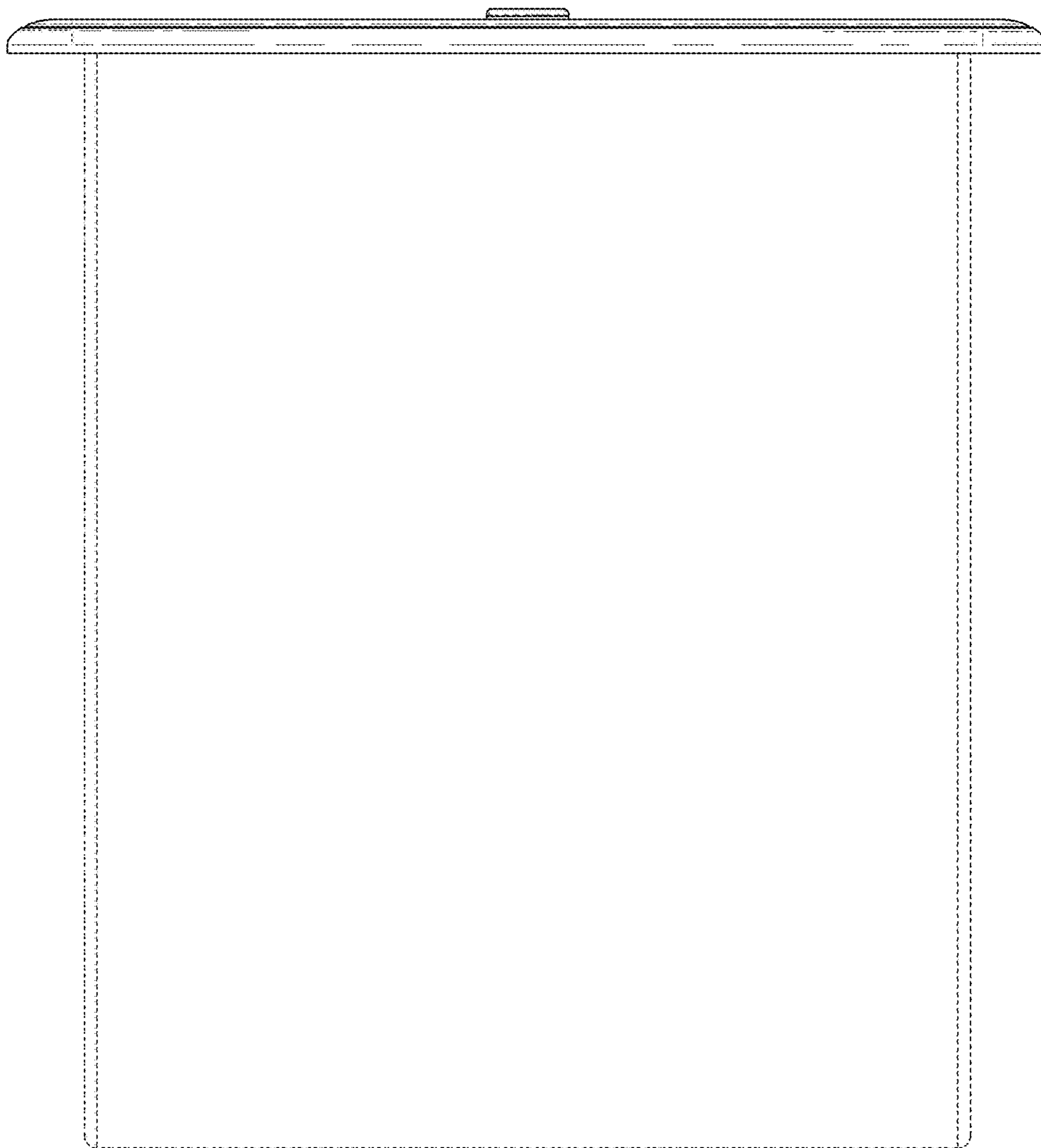


FIG. 3

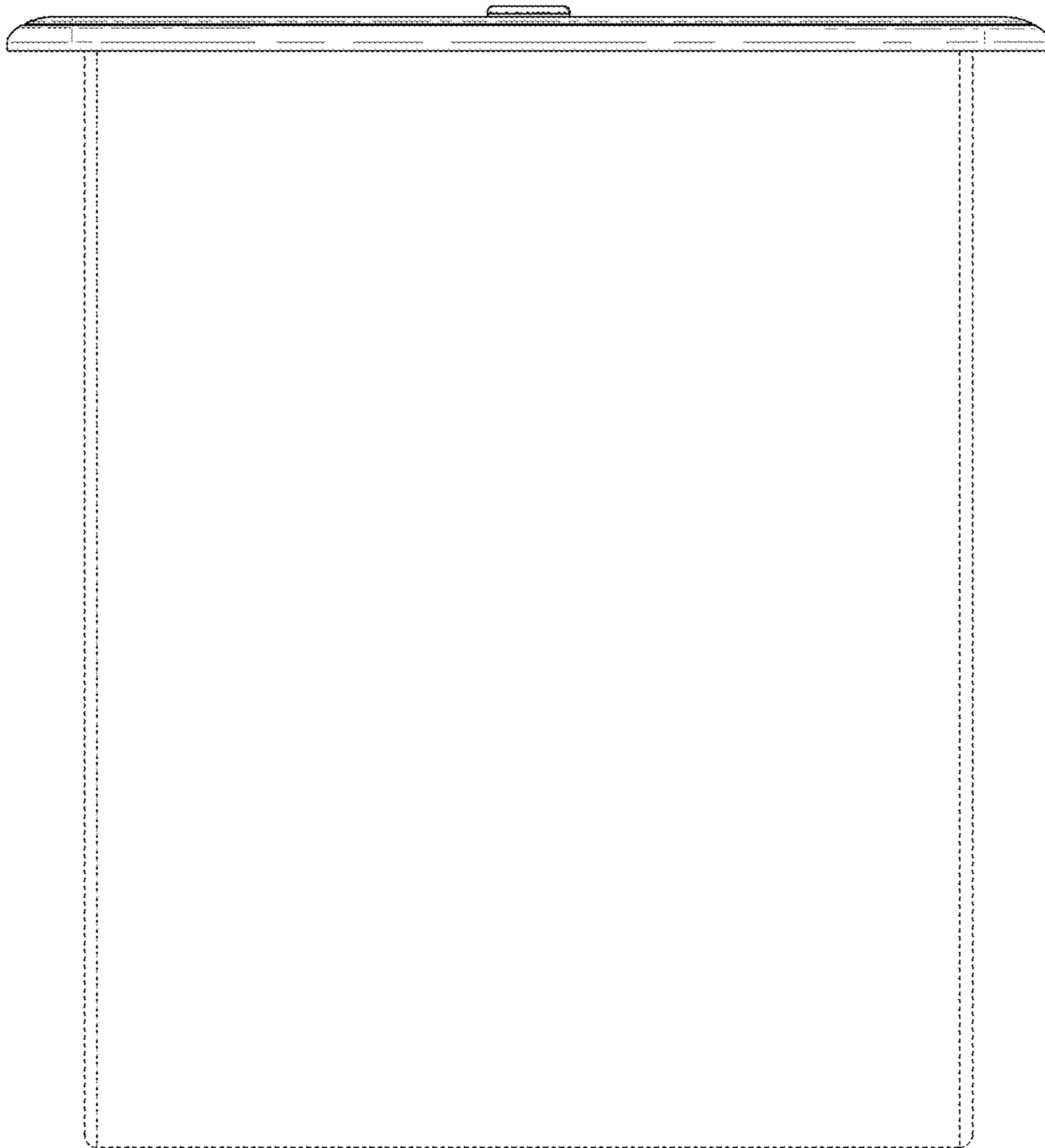


FIG. 4

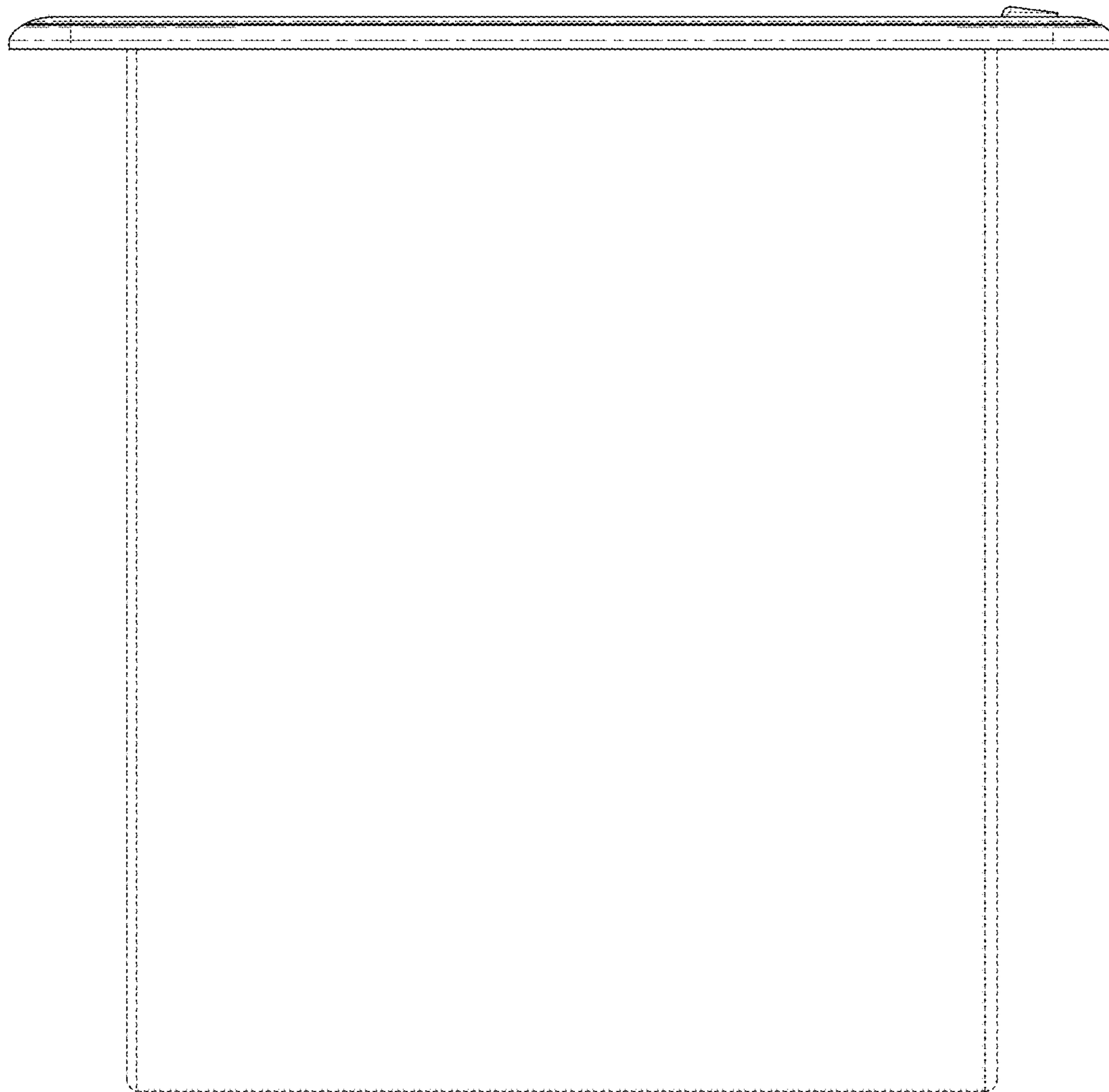


FIG. 5

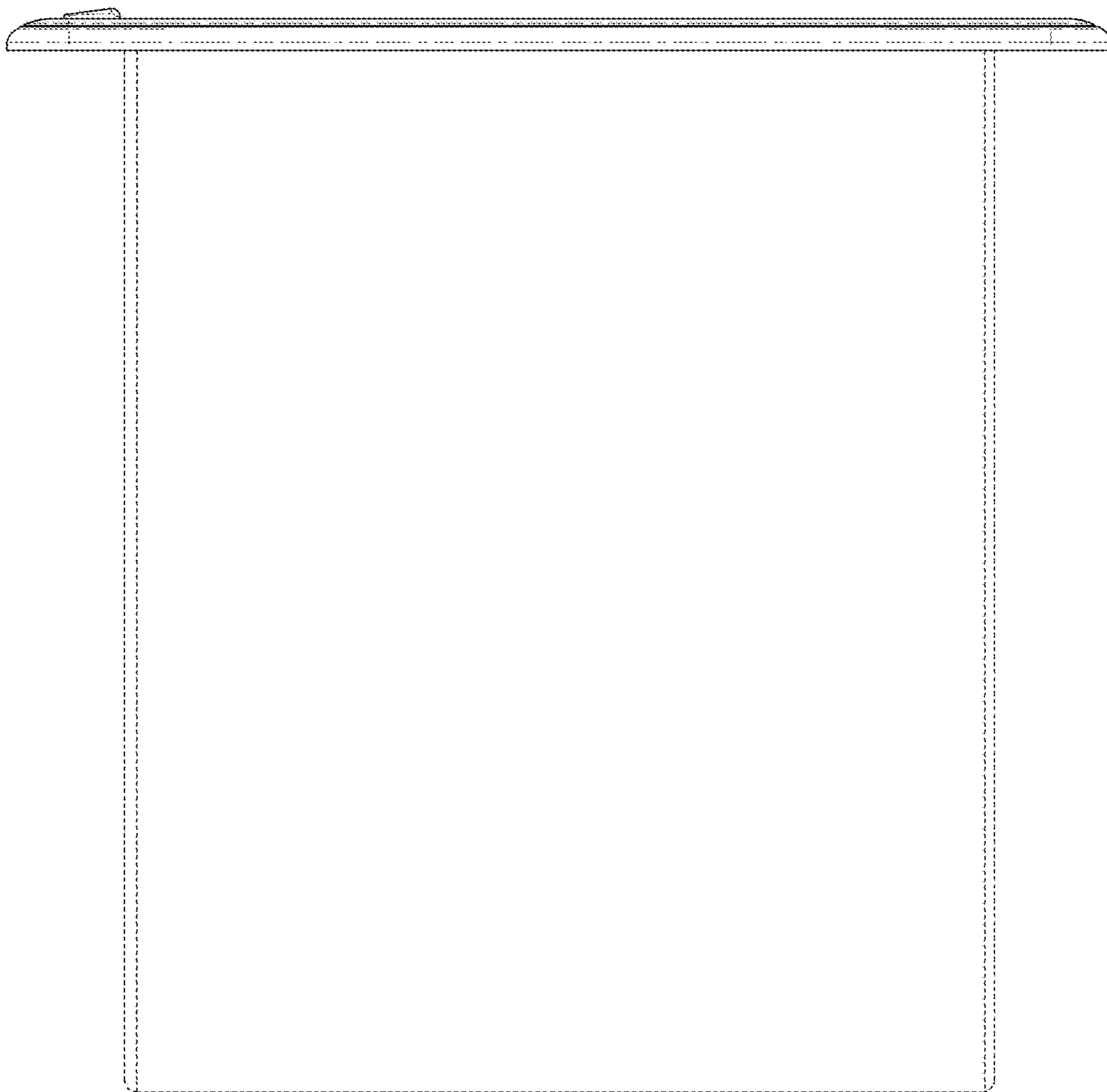


FIG. 6

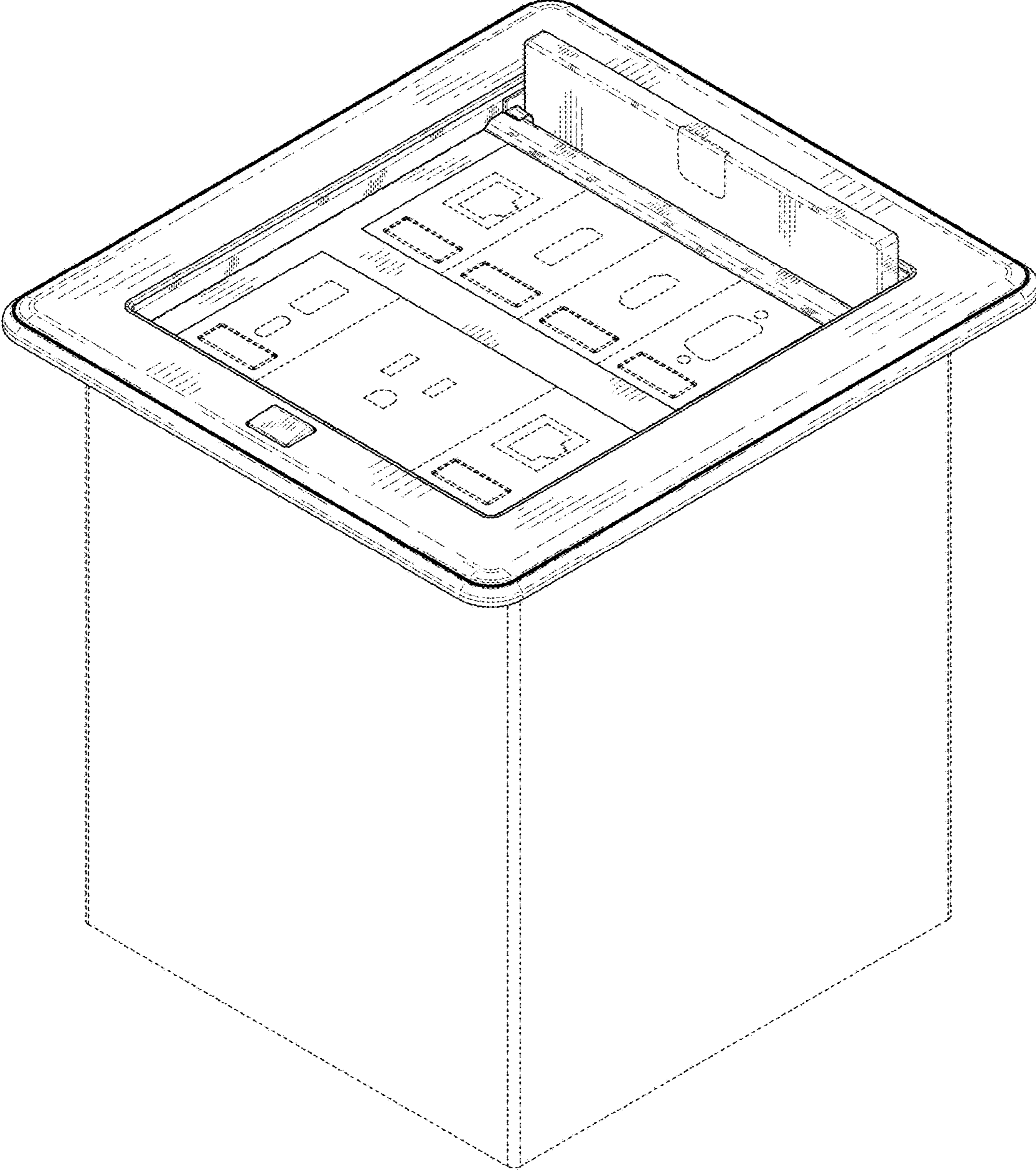


FIG. 7

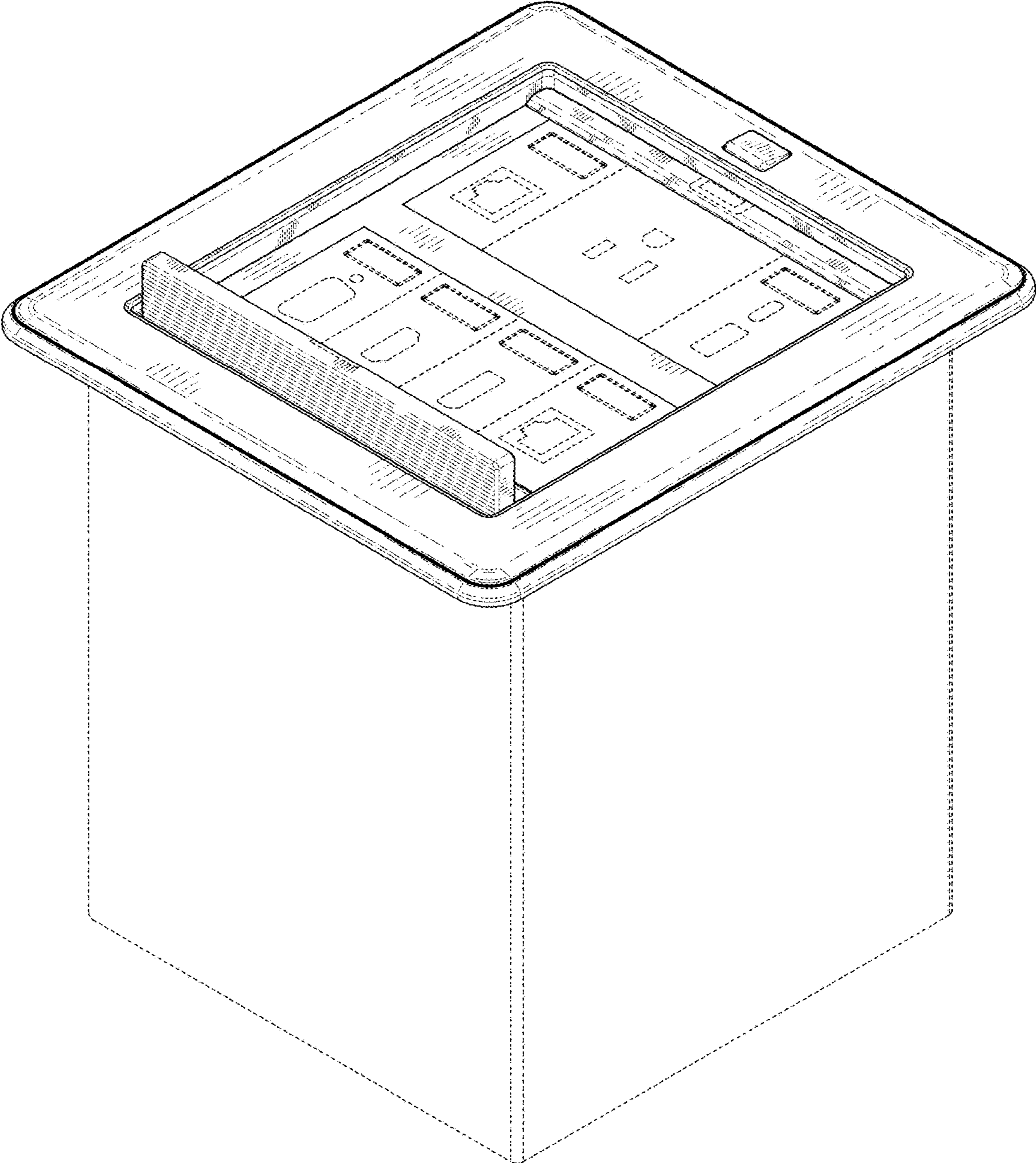


FIG. 8

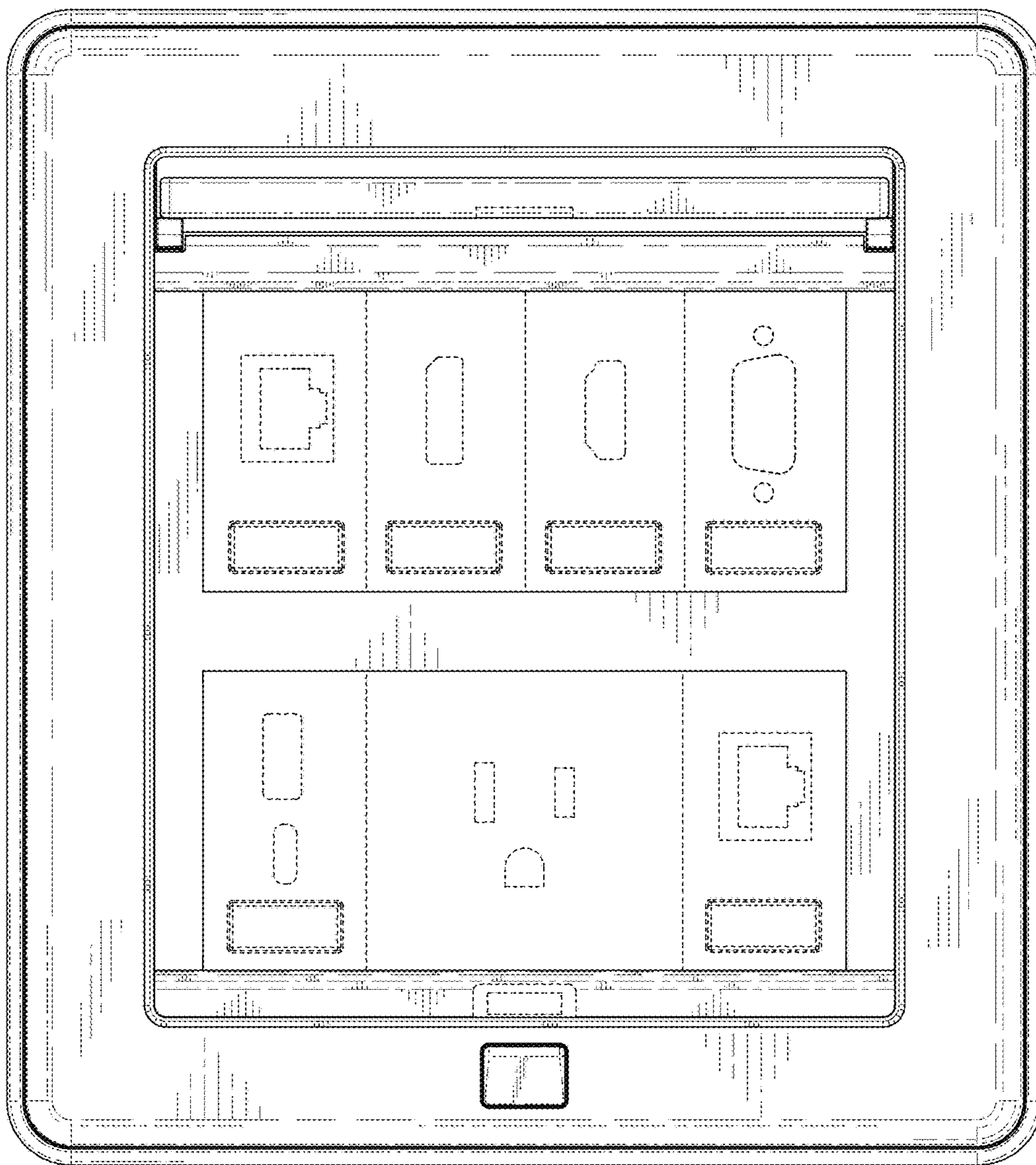


FIG. 9