



US00D861615S

(12) **United States Design Patent** (10) **Patent No.:** **US D861,615 S**
Zanoni et al. (45) **Date of Patent:** **** Oct. 1, 2019**

(54) **ELECTRIC RECEPTACLE**

CPC H01R 13/44; H01R 13/516; H01R 25/006
See application file for complete search history.

(71) Applicant: **The Wiremold Company**, West
Hartford, CT (US)

(56) **References Cited**

(72) Inventors: **Gabor Zanoni**, Brooklyn, NY (US);
Nicholas Rike Partridge, Brooklyn,
NY (US); **Jan Schminke**, Munich
(DE); **Phillip Donald Prestigomo**,
Simsbury, CT (US); **Theodore Peter**
Junko, Manlius, NY (US)

U.S. PATENT DOCUMENTS

(73) Assignee: **THE WIREMOLD COMPANY**, West
Hartford, CT (US)

2,673,969	A	3/1954	Pfister	
D216,262	S	12/1969	Robinson	
D399,488	S	10/1998	Williams	
6,118,643	A	9/2000	Dyer et al.	
D462,661	S	9/2002	Owens	
D467,873	S	12/2002	Yu	
D540,257	S *	4/2007	Ivanova et al. D13/137.2
D547,272	S	7/2007	Ng	
D566,654	S *	4/2008	Ivanova et al. D13/139.7
7,371,122	B2	5/2008	Ivanova et al.	
D639,742	S	6/2011	Doucet	
D671,495	S	11/2012	Zanoni et al.	
D674,754	S	1/2013	Zanoni et al.	
D675,986	S	2/2013	Zanoni et al.	
D675,987	S	2/2013	Zanoni et al.	
D687,779	S *	8/2013	Zanoni et al. D13/139.1
2012/0108085	A1	5/2012	Row	

(**) Term: **14 Years**

(21) Appl. No.: **29/438,054**

(22) Filed: **Nov. 26, 2012**

* cited by examiner

Related U.S. Application Data

(63) Continuation of application No. 29/390,602, filed on
Apr. 27, 2011, now Pat. No. Des. 671,495.

Primary Examiner — Angela J Lee

(74) *Attorney, Agent, or Firm* — McCormick, Paulding &
Huber LLP

(51) **LOC (12) Cl.** **13-03**

(57) **CLAIM**

(52) **U.S. Cl.**
USPC **D13/139.1**

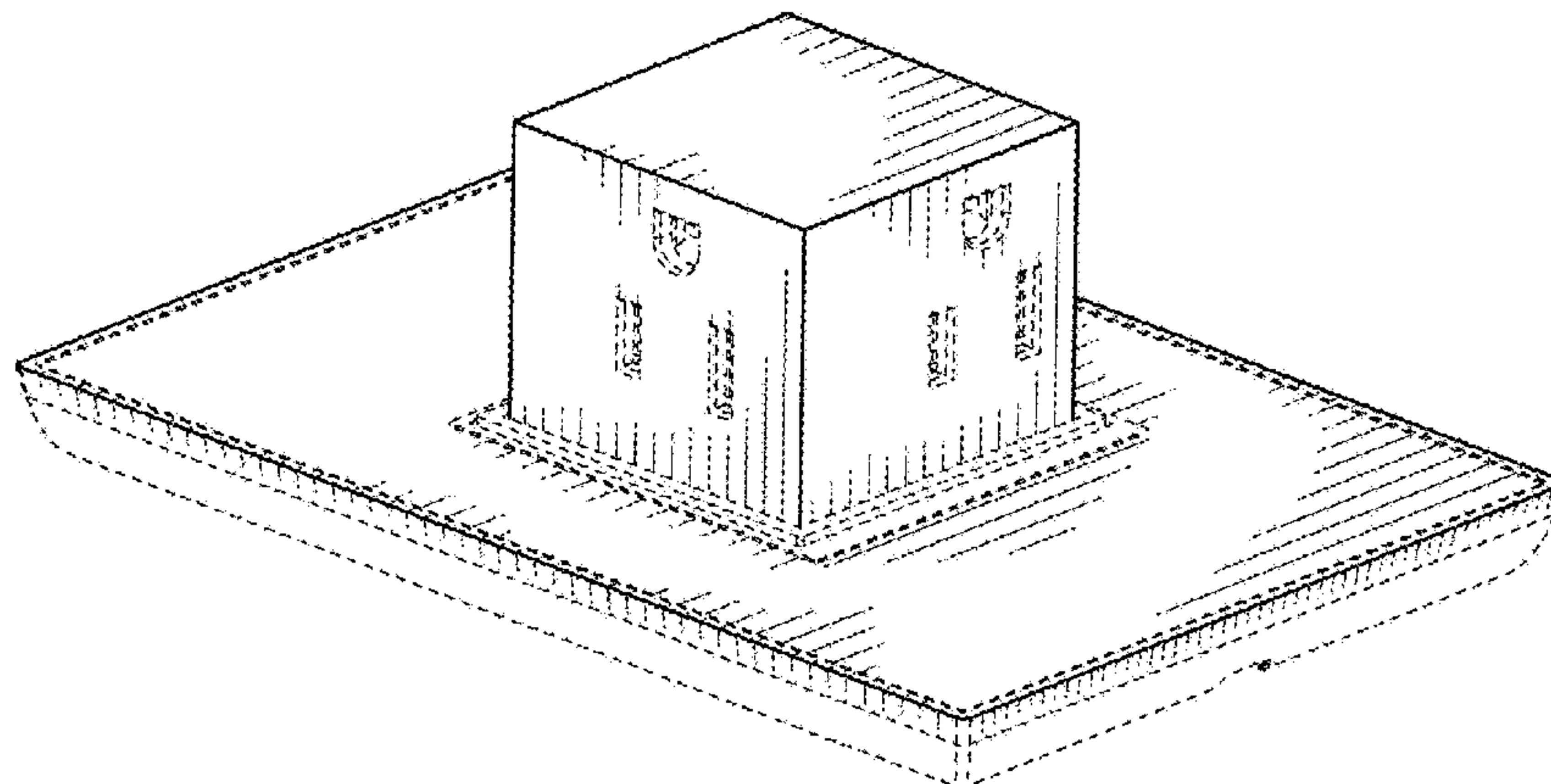
The ornamental design for an electric receptacle, as shown
and described.

(58) **Field of Classification Search**
USPC D13/137.1, 137.2, 137.3, 137.4, 138.1,
D13/138.2, 139.1, 139.2, 139.3, 139.4,
D13/139.5, 139.6, 139.7, 139.8, 101, 110,
D13/123, 107, 108, 133, 154, 184, 199;
439/131, 166, 628, 101, 102, 105, 106,
439/108, 172, 173, 174, 175, 177, 476.1,
439/578, 583, 620.15, 620.17; 363/15,
363/146, 34; 307/151; 320/111, 114;
174/493, 494, 66, 67

DESCRIPTION

FIG. 1 is a front, top, left-hand side perspective view of an
electric receptacle of a new, original and ornamental design;
FIG. 2 is a front view thereof;
FIG. 3 is a rear view thereof;
FIG. 4 is a right-hand side view thereof;
FIG. 5 is a left-hand side view thereof; and,
FIG. 6 is a top view thereof.

(Continued)



The broken lines shown in the drawings illustrate unclaimed portions of the electric receptacle and form no part of the claimed design.

1 Claim, 3 Drawing Sheets

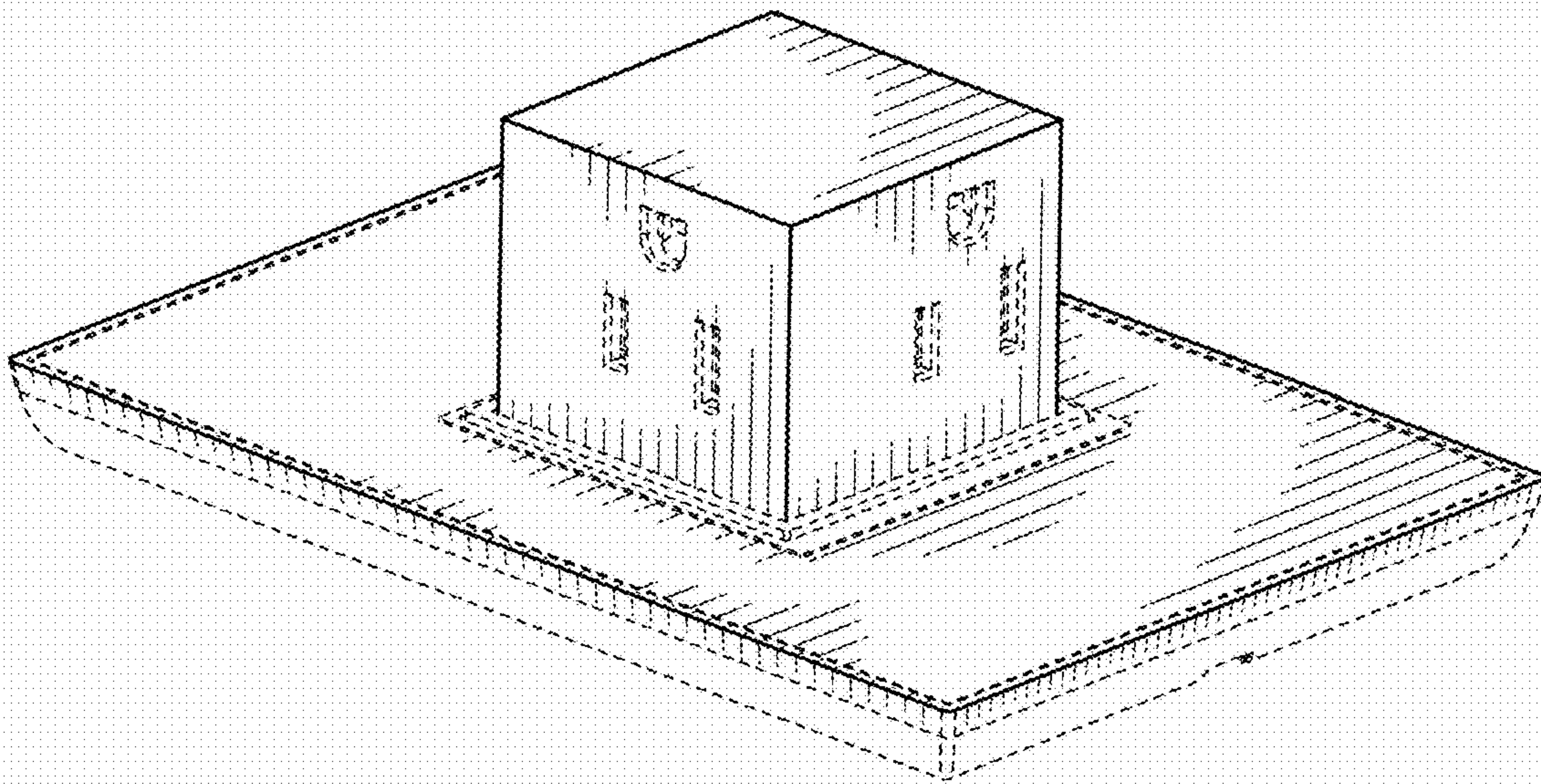


FIG. 1

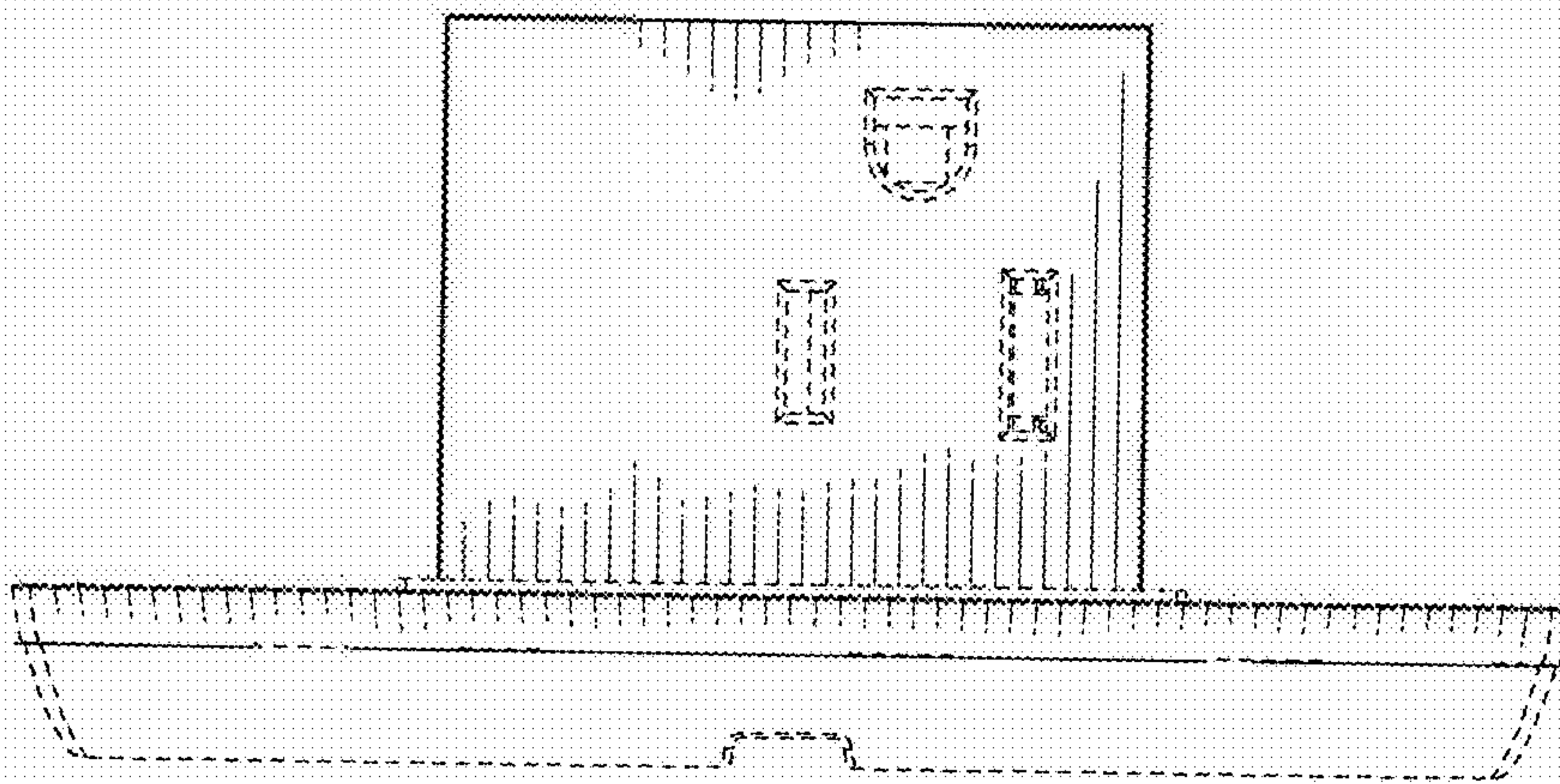


FIG. 2

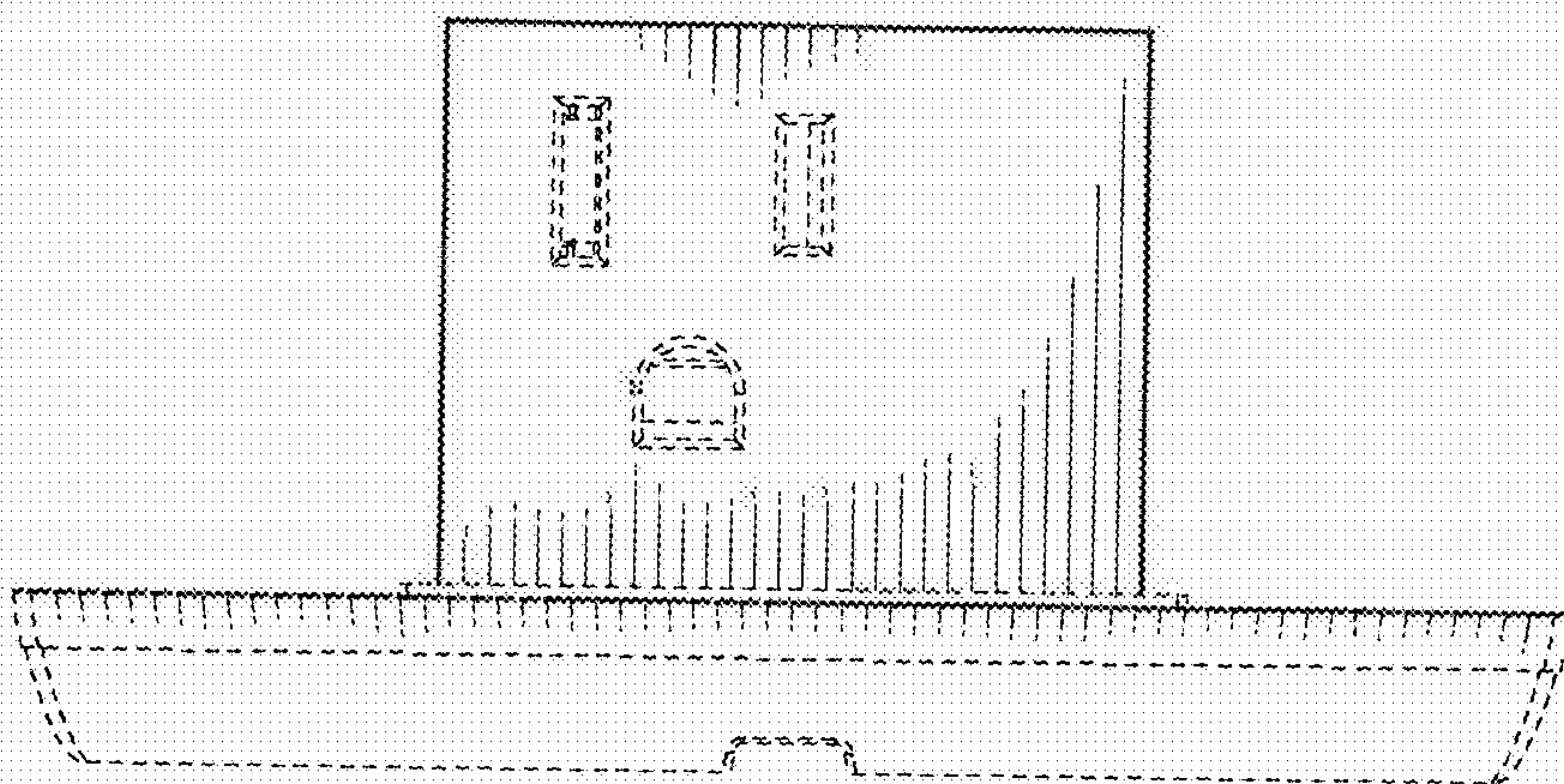


FIG. 3

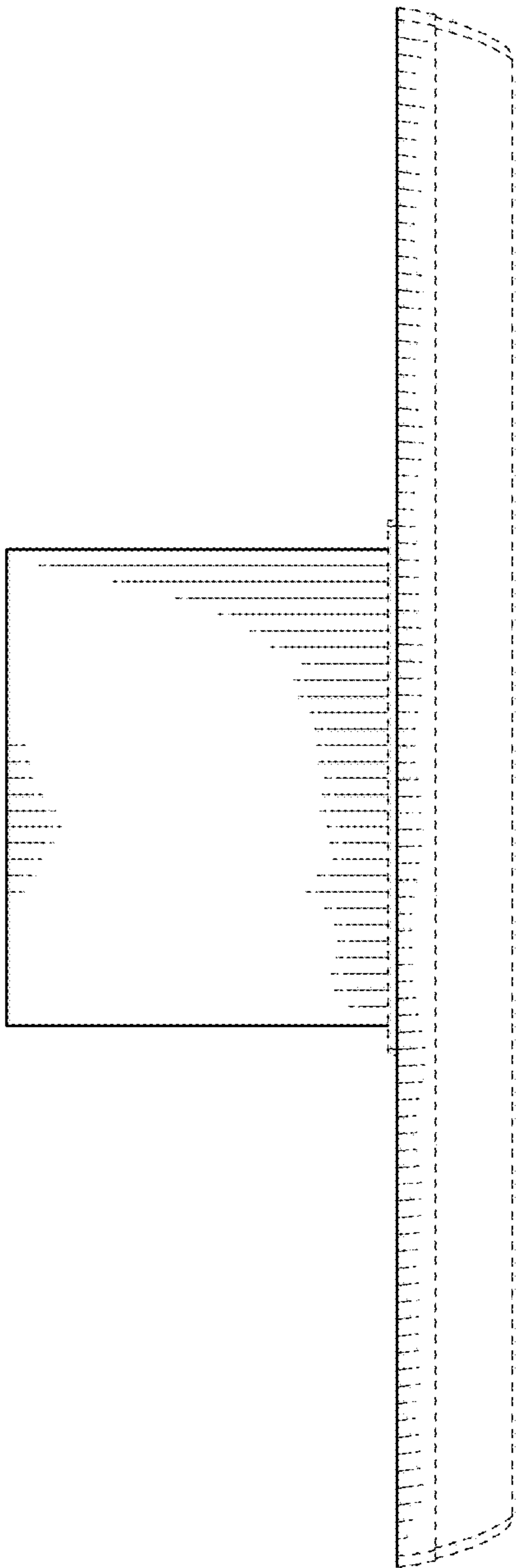


FIG. 4

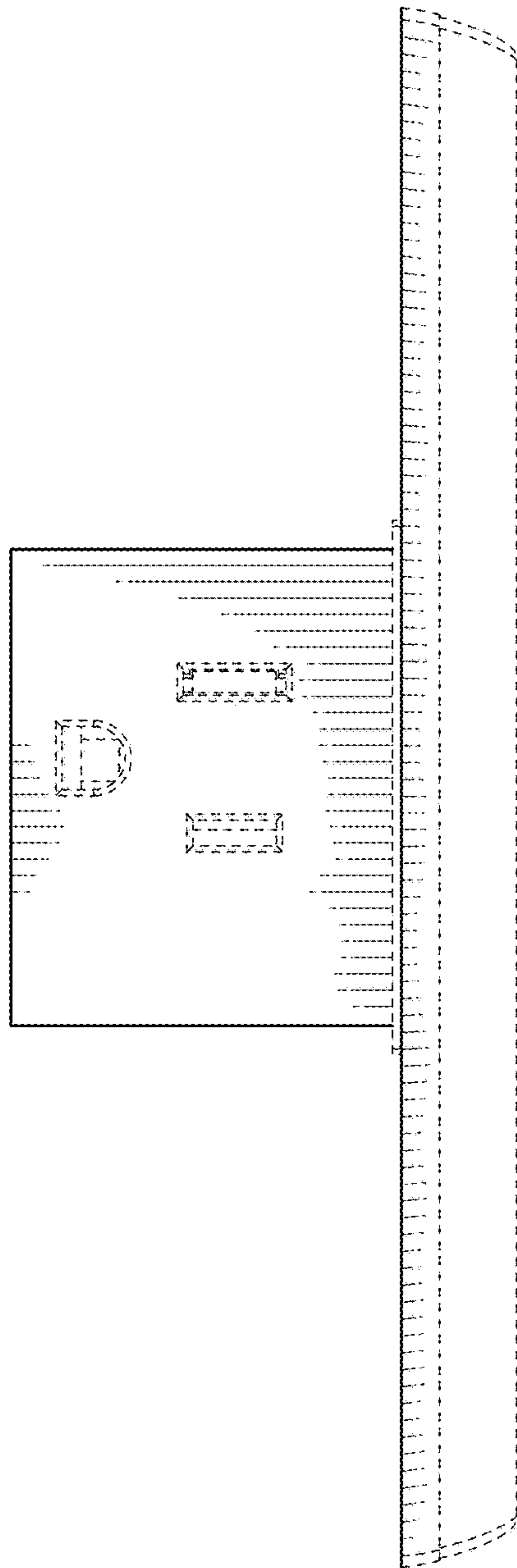


FIG. 5

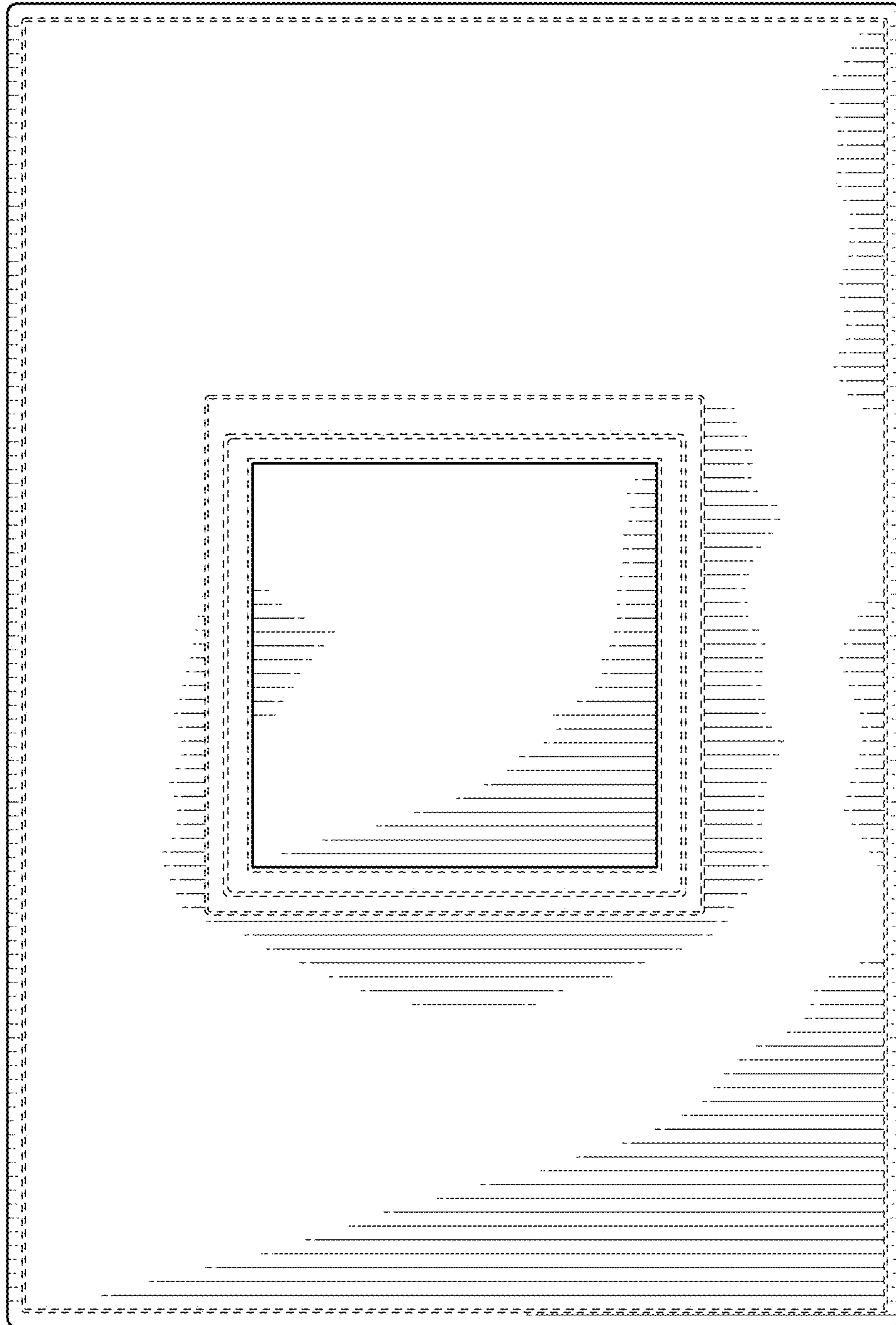


FIG. 6