



US00D861614S

(12) **United States Design Patent** (10) **Patent No.:** **US D861,614 S**
Xu (45) **Date of Patent:** **** Oct. 1, 2019**

(54) **MULTINATIONAL TRAVEL CONVERSION SOCKET**

(71) Applicant: **Guangdong BESTEK E-commerce Co., Ltd, Shenzhen (CN)**

(72) Inventor: **Xinhua Xu, Shenzhen (CN)**

(**) Term: **15 Years**

(21) Appl. No.: **29/692,973**

(22) Filed: **May 30, 2019**

(51) **LOC (12) Cl.** **13-02**

(52) **U.S. Cl.**
USPC **D13/137.2**

(58) **Field of Classification Search**
USPC ... D13/139.1–139.8, 108, 137.1–137.4, 110, D13/138.2, 152, 107; D14/240; D26/26
CPC H02J 7/0044
See application file for complete search history.

(56) **References Cited**

U.S. PATENT DOCUMENTS

- D592,649 S * 5/2009 L’Henaff D14/240
- D595,229 S * 6/2009 LaGrotta D13/137.2
- D618,175 S 6/2010 Shi
- D657,314 S 4/2012 Ruffner
- D665,354 S * 8/2012 Chen D13/138.1
- D695,214 S * 12/2013 Roberts D13/107
- D695,693 S * 12/2013 Lee D13/152
- D699,183 S * 2/2014 Zaslaysky D13/110
- D734,253 S * 7/2015 Tinaphong H02J 7/0004
- D13/108
- D753,063 S * 4/2016 Gelonese D13/137.2
- D760,647 S * 7/2016 Chen D13/103
- D807,827 S * 1/2018 Lu D13/137.2
- D808,046 S * 1/2018 Jianting D26/26

- D811,338 S * 2/2018 Zhu D13/139.1
- D812,560 S * 3/2018 Xu D13/107
- D820,212 S * 6/2018 Stern D13/137.2
- D821,328 S * 6/2018 Byrne D13/139.4
- D825,458 S * 8/2018 Nauroy D13/108
- D832,215 S * 10/2018 Xu D13/137.2
- D841,591 S * 2/2019 Byrne D13/139.4
- D848,948 S * 5/2019 Wei D13/137.2

* cited by examiner

Primary Examiner — Rhea Shields

(74) *Attorney, Agent, or Firm* — Erson IP (Nelson IP)

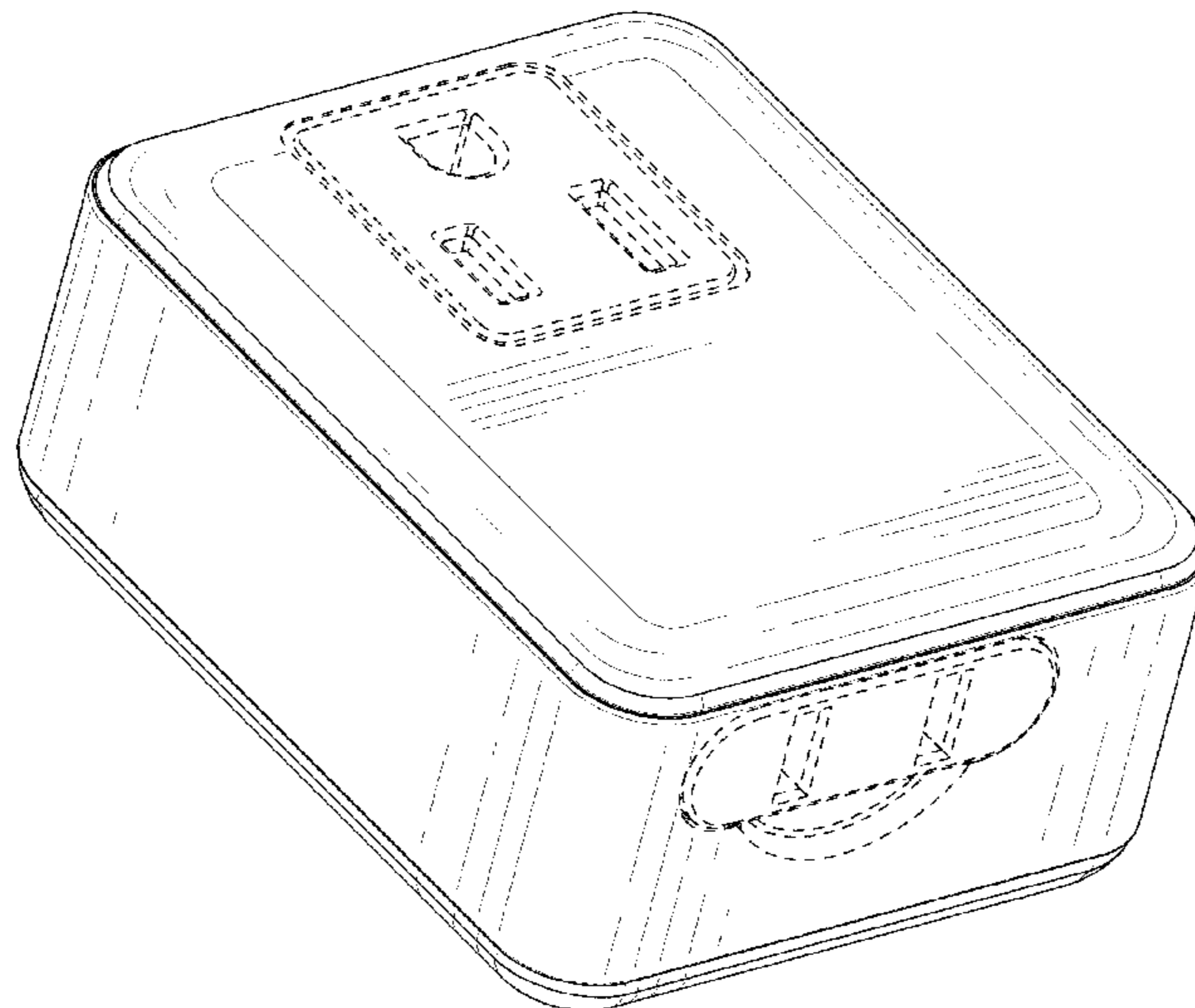
(57) **CLAIM**

The ornamental design for a multinational travel conversion socket, as shown and described.

DESCRIPTION

FIG. 1 is a perspective view of a multinational travel conversion socket showing my new design; FIG. 2 is another perspective view thereof; FIG. 3 is a front view thereof; FIG. 4 is a rear view thereof; FIG. 5 is a left side view thereof; FIG. 6 is a right side view thereof; FIG. 7 is a top plan view thereof; FIG. 8 is a bottom plan view thereof; FIG. 9 is an exploded view of the socket in a second state; FIG. 10 is a perspective view of the socket in a third state; FIG. 11 is a perspective view of the socket in a fourth state; FIG. 12 is a perspective view of the socket in a fifth state; and, FIG. 13 is a perspective view of the socket in a sixth state. In the drawings, the broken lines are for the purpose of illustrating environment only and form no part of the claimed design.

1 Claim, 13 Drawing Sheets



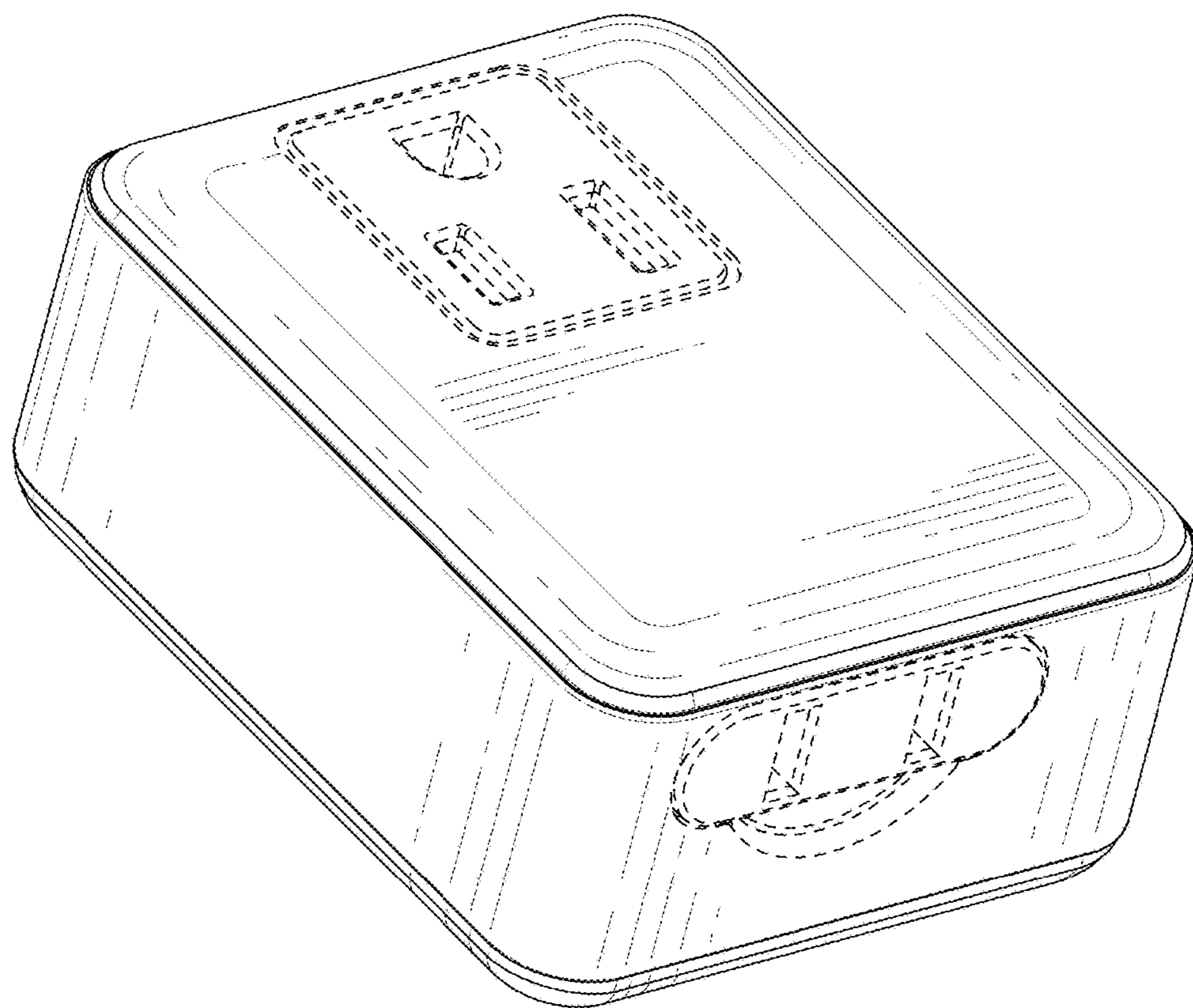


FIG. 1

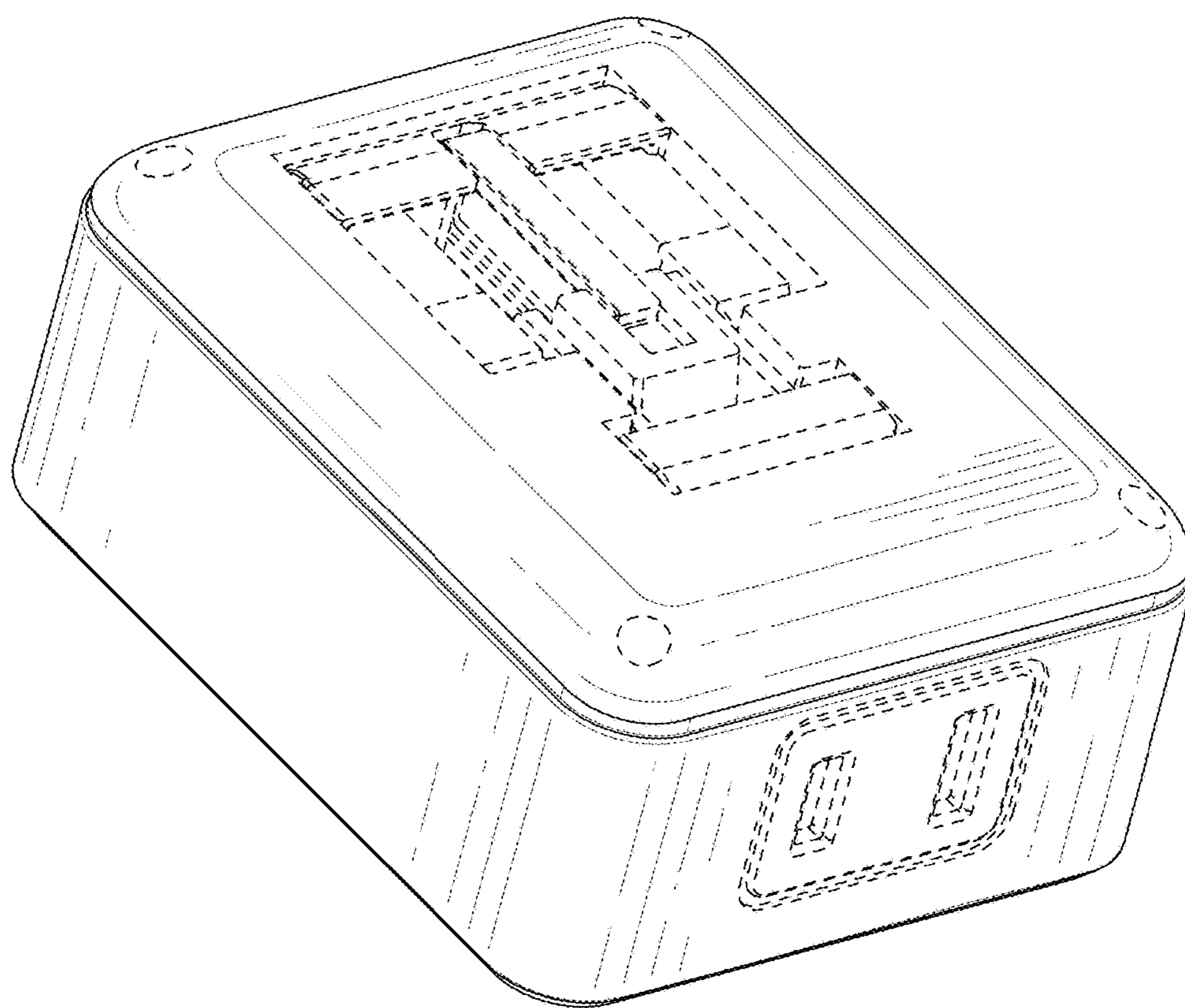


FIG. 2

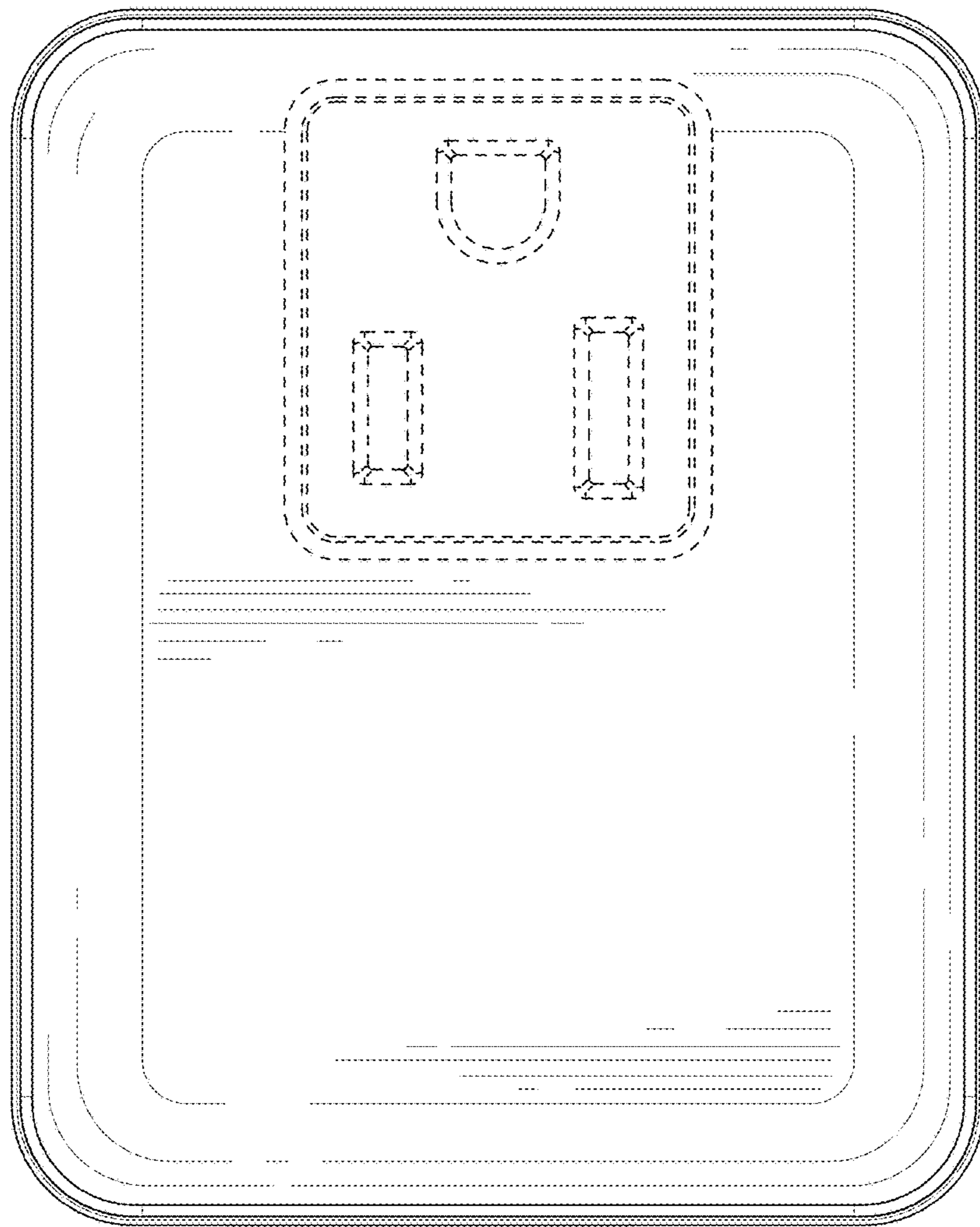


FIG. 3

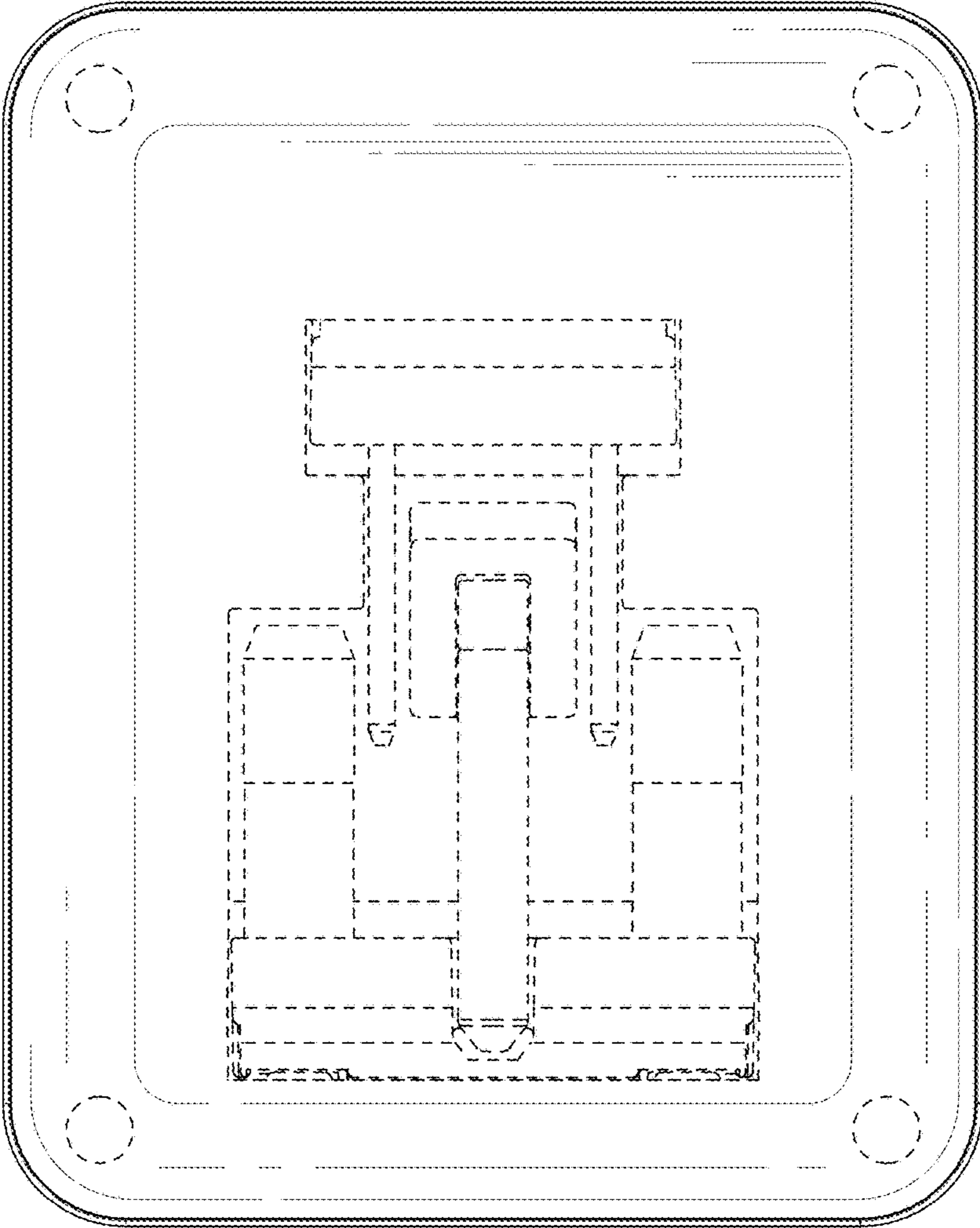


FIG. 4

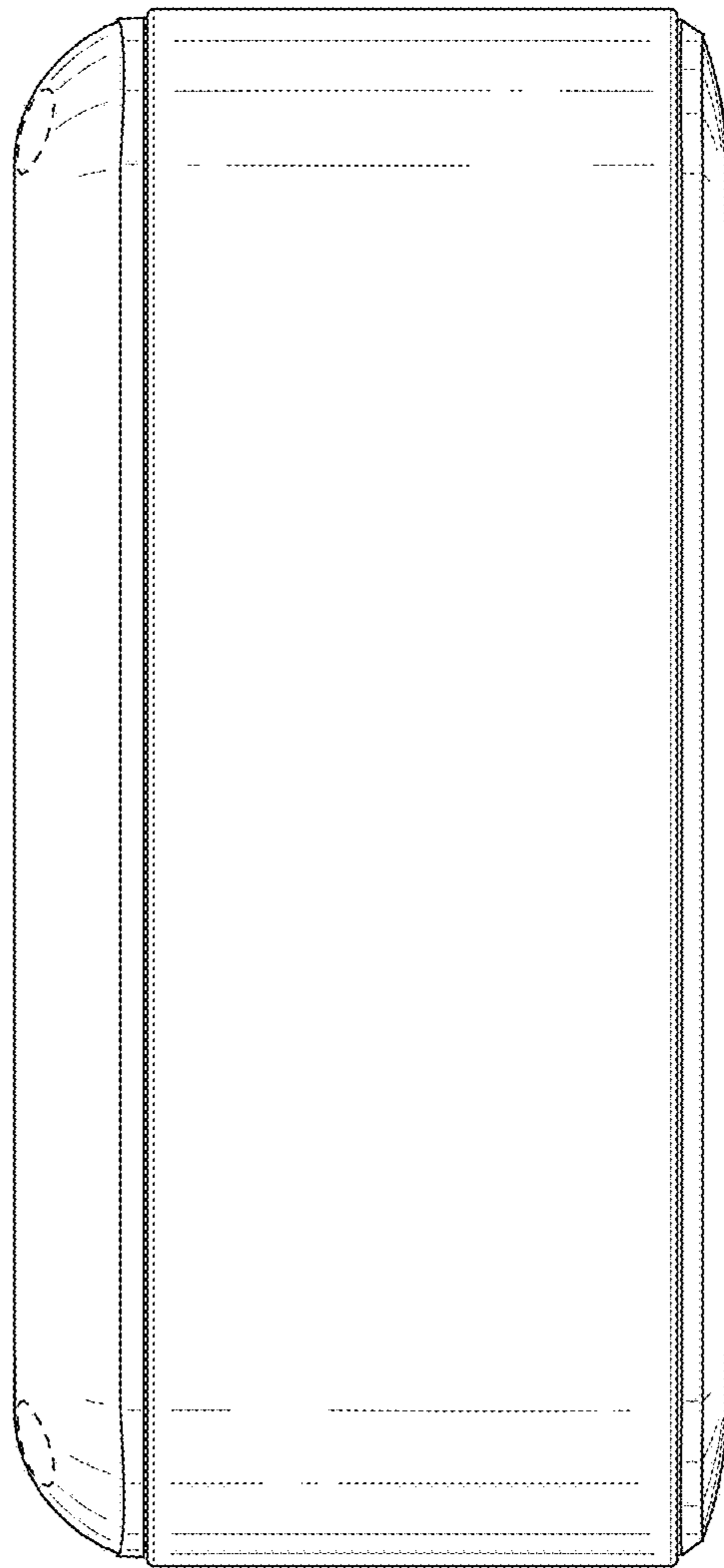


FIG. 5

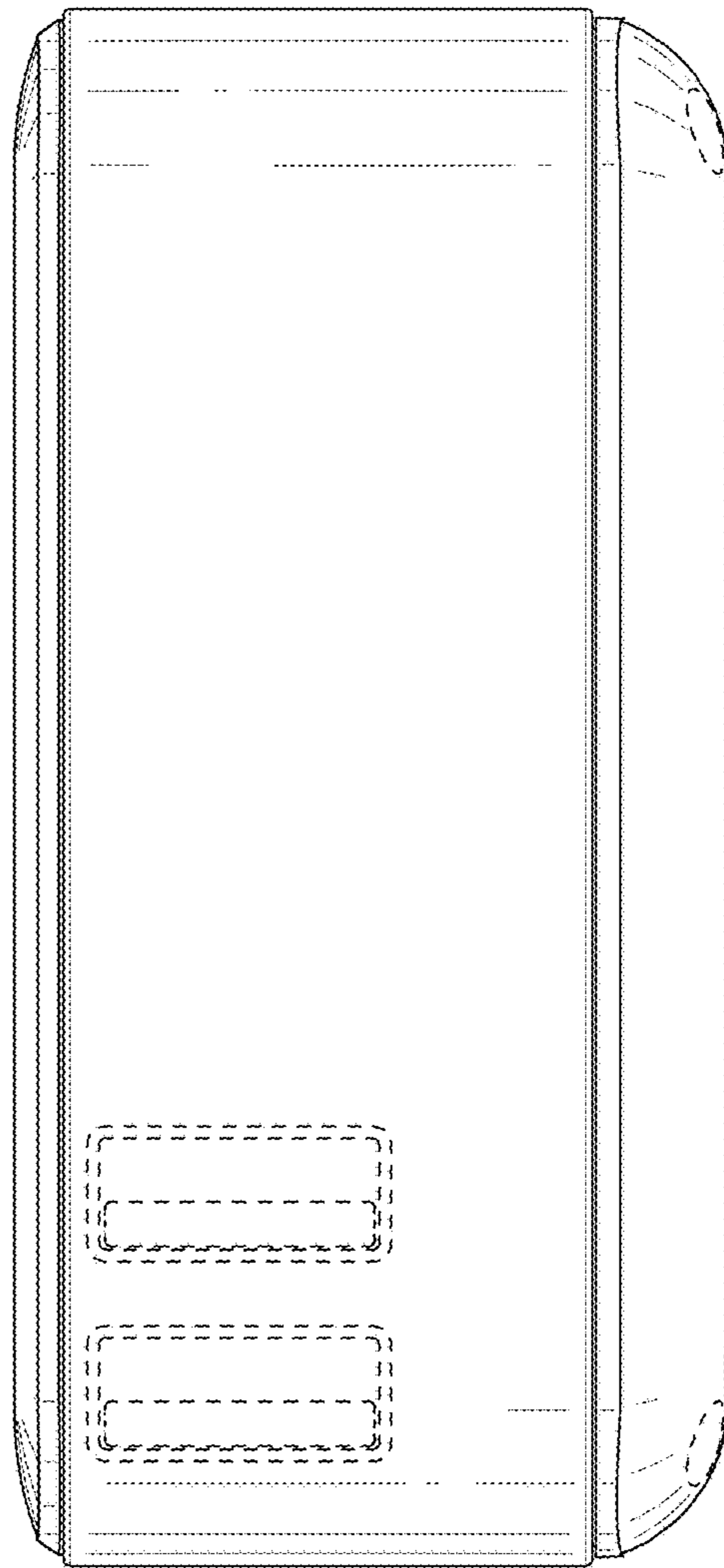


FIG. 6

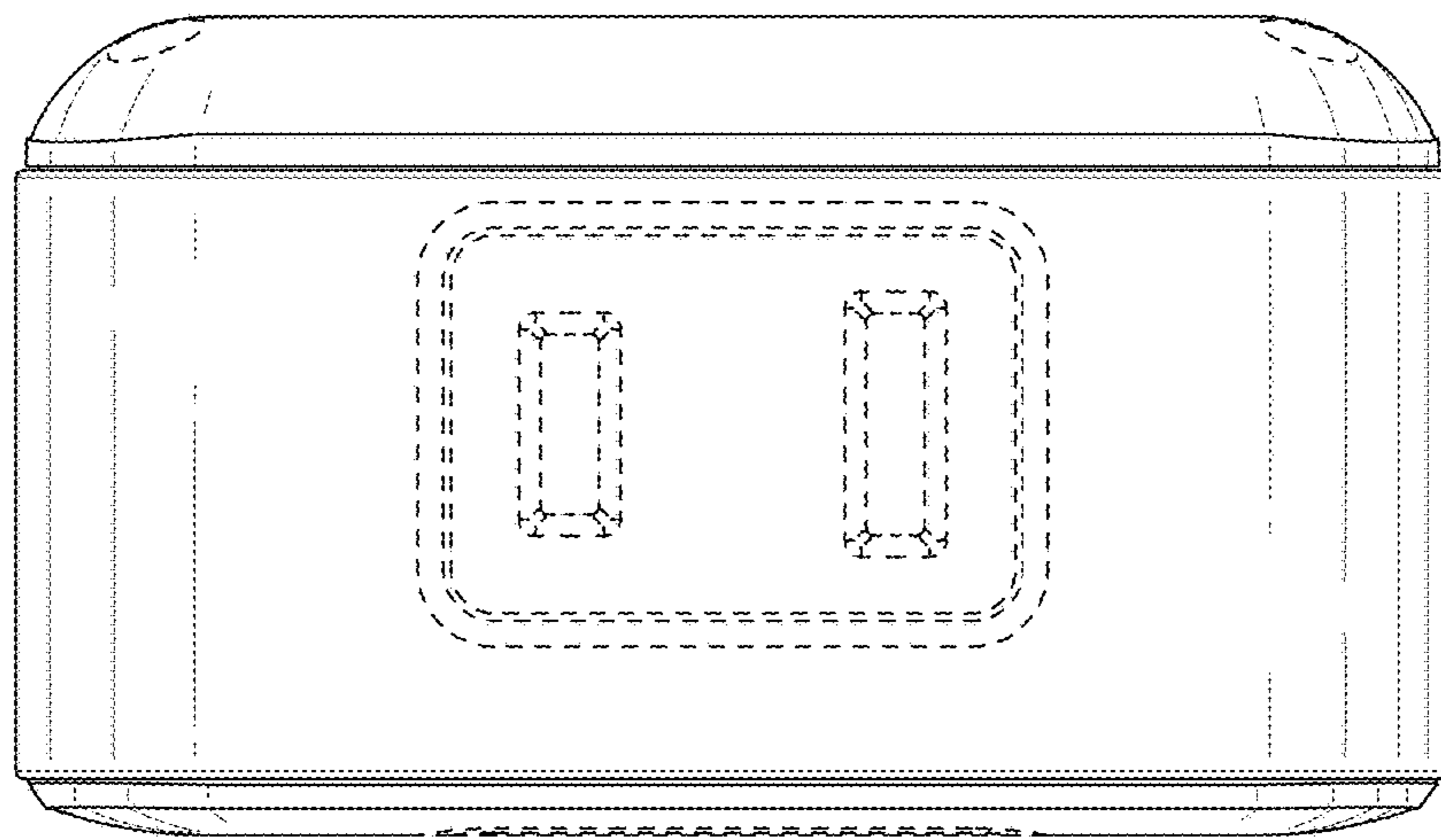


FIG. 7

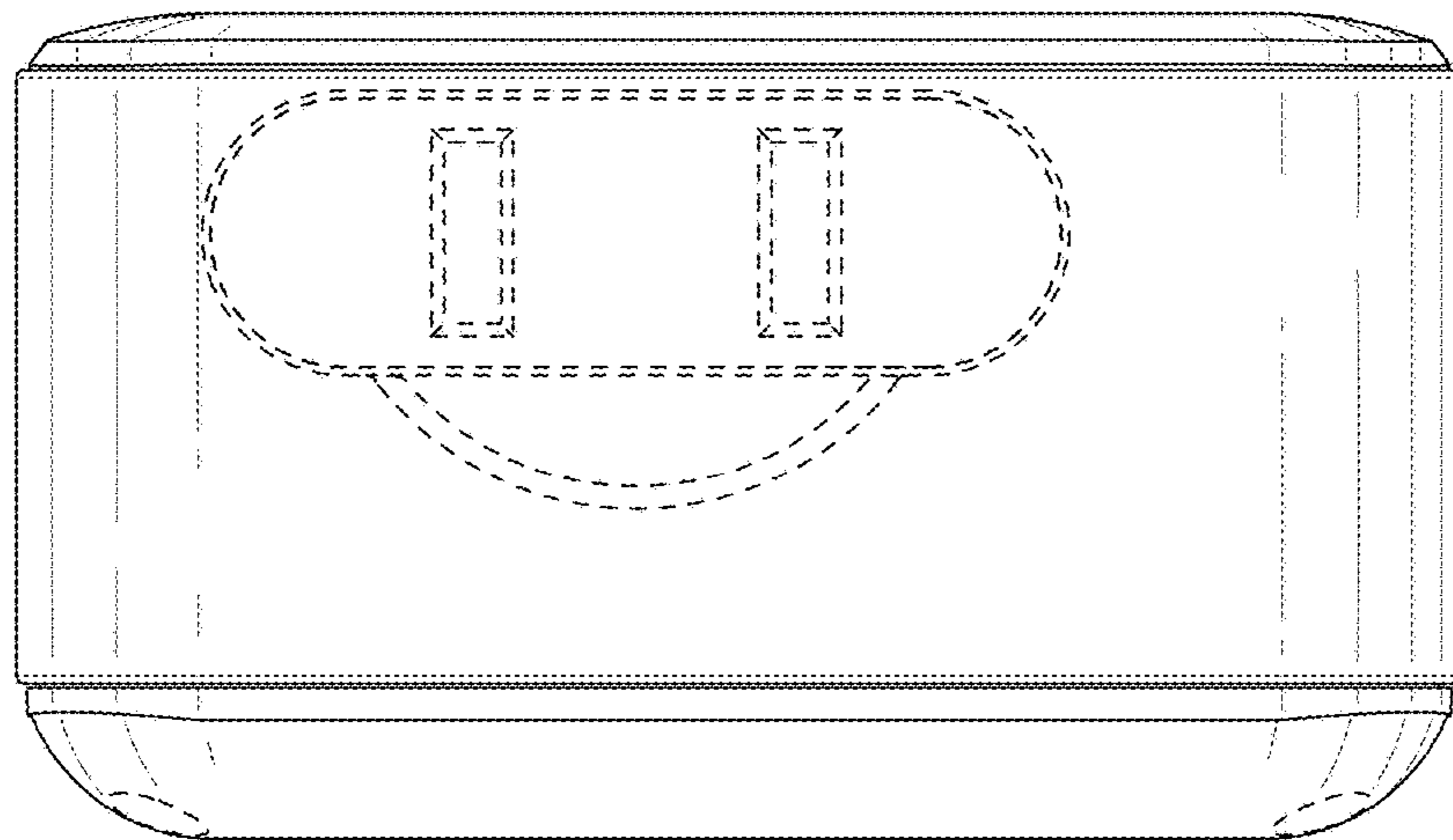


FIG. 8

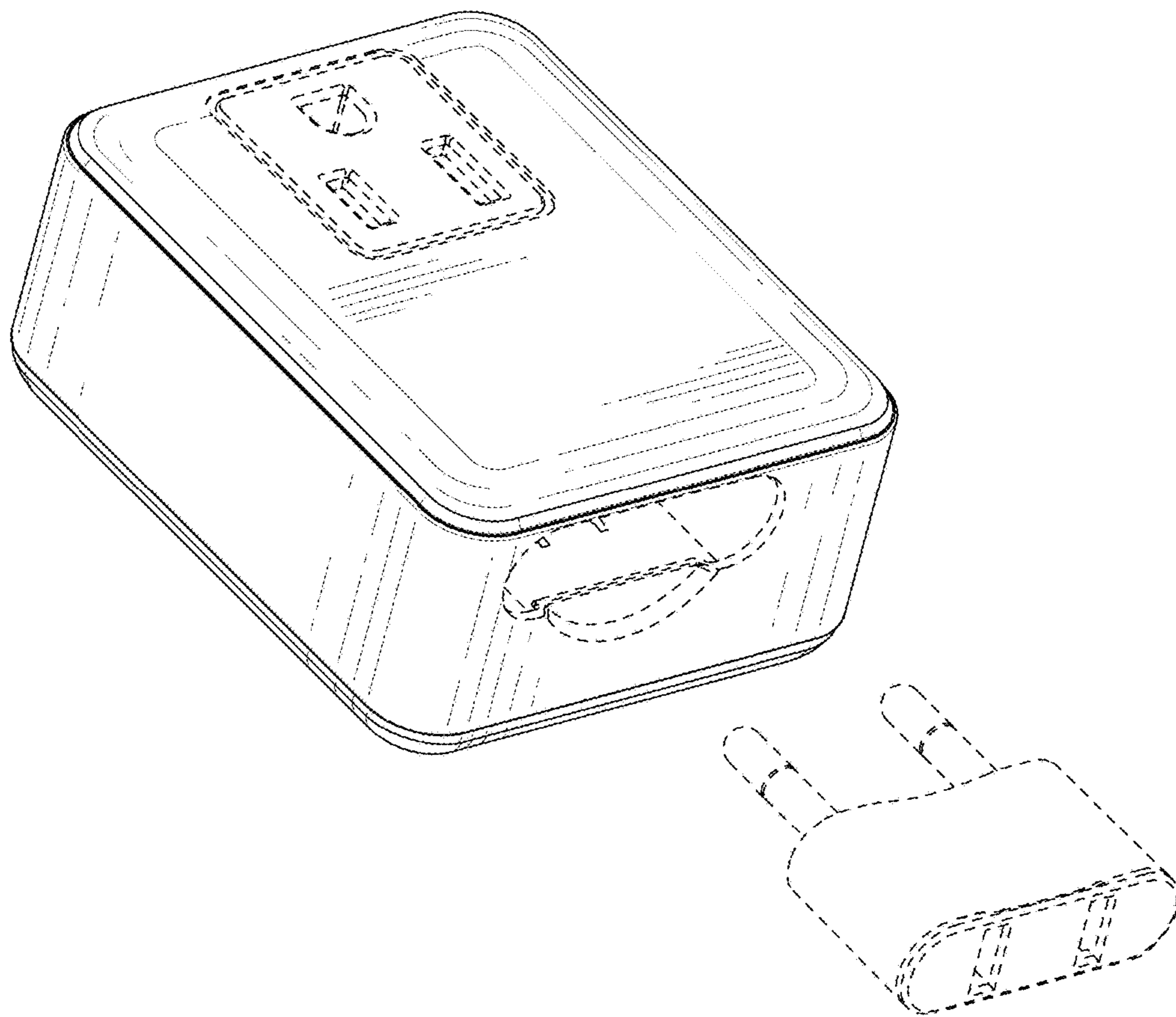


FIG. 9

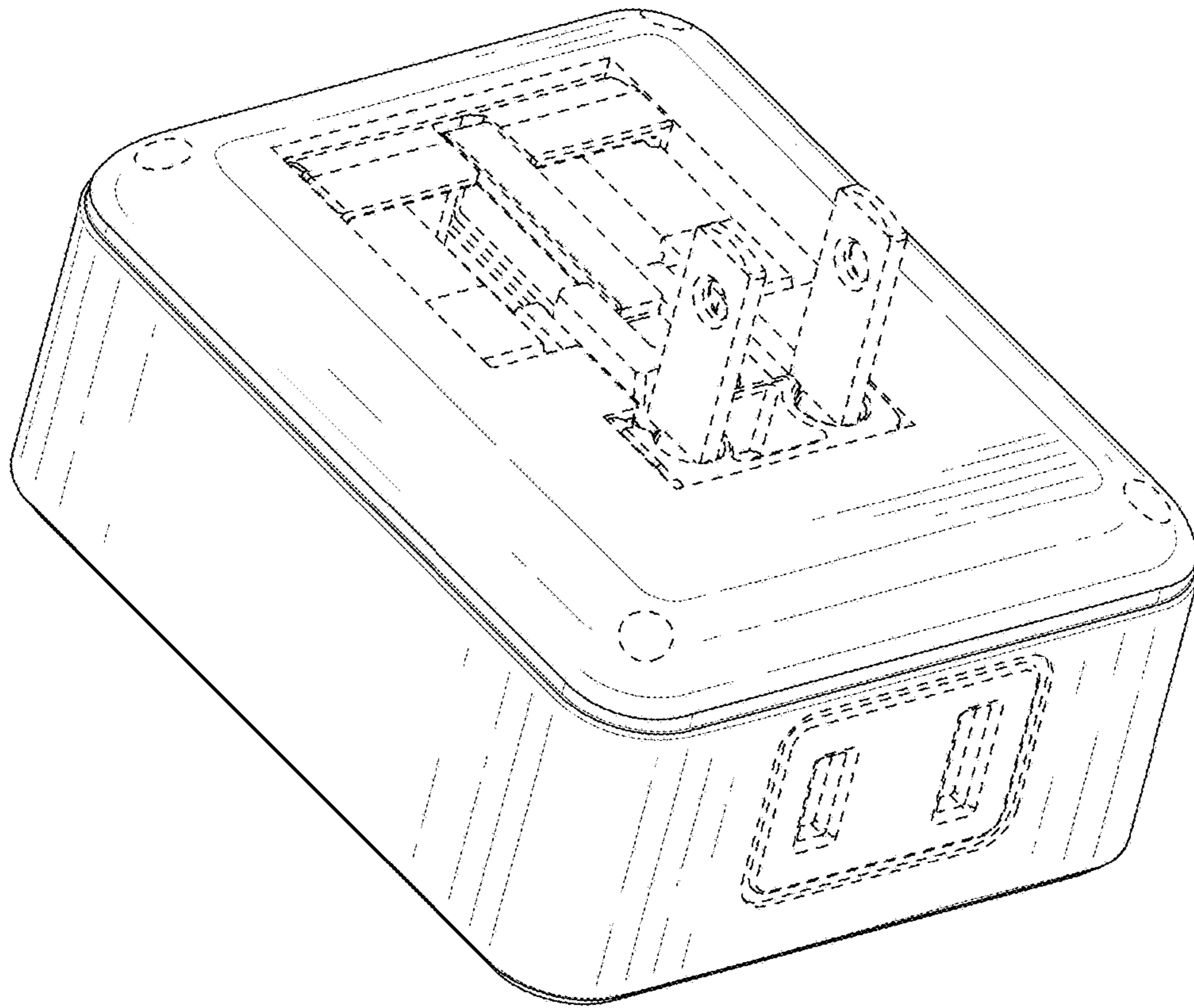


FIG. 10

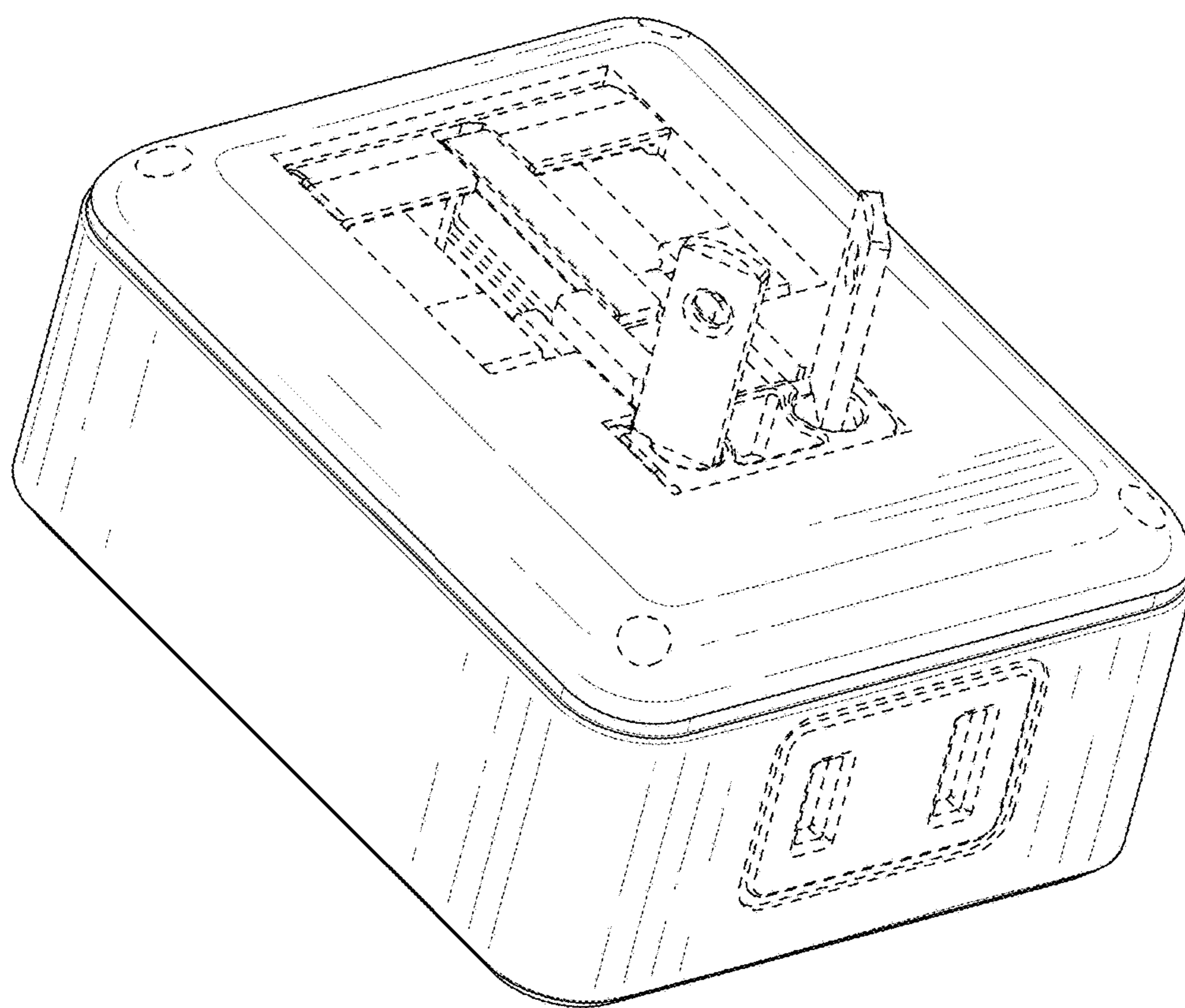


FIG. 11

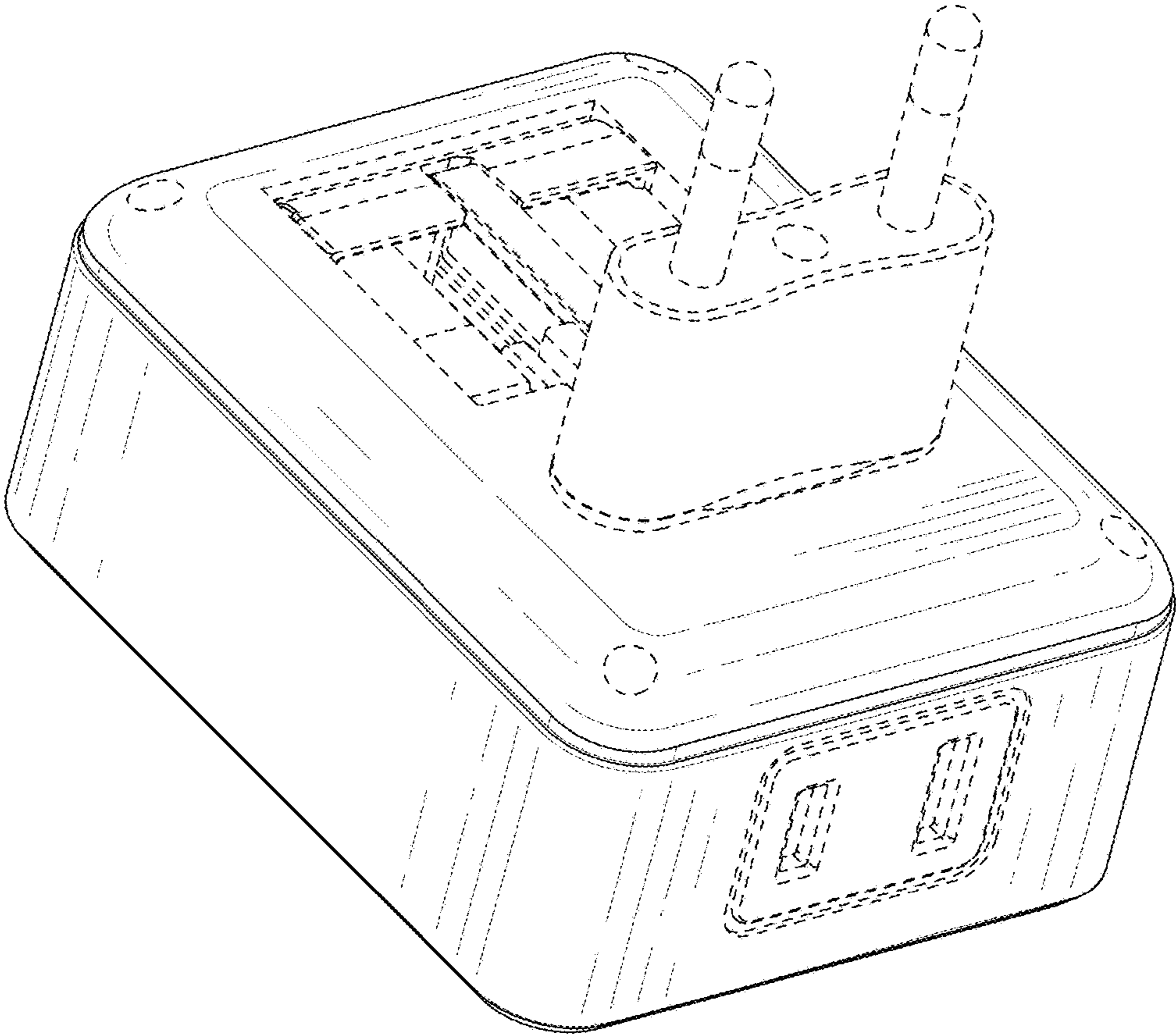


FIG. 12

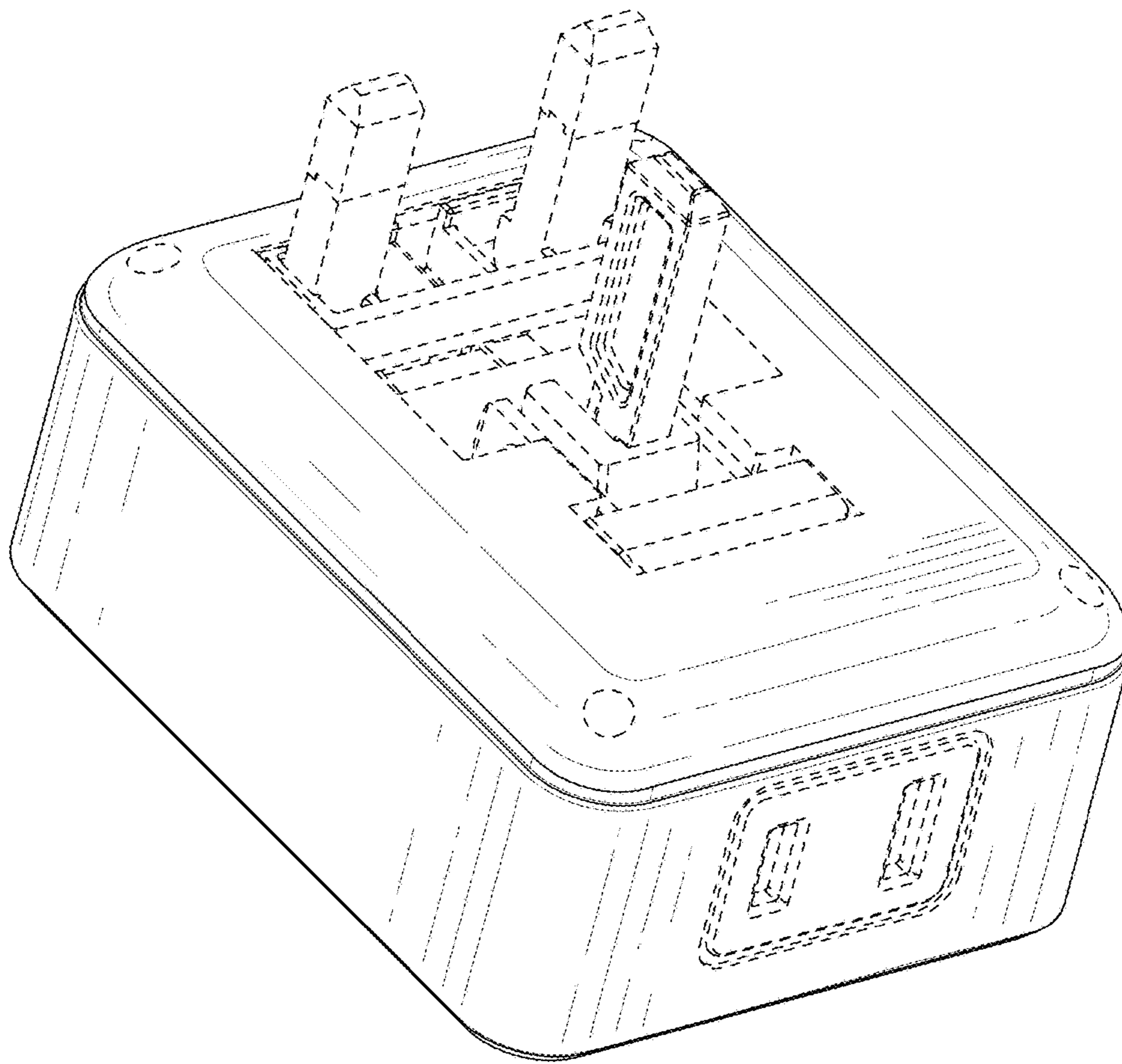


FIG. 13