



US00D861613S

(12) **United States Design Patent**
Dai

(10) **Patent No.:** **US D861,613 S**

(45) **Date of Patent:** **** Oct. 1, 2019**

(54) **SMART PLUG**

D758,312 S * 6/2016 Lin D13/137.2
D813,852 S * 3/2018 Ni D14/240
D820,212 S * 6/2018 Stern D13/137.2

(71) Applicant: **Jilei Dai**, Dongguan (CN)

(72) Inventor: **Jilei Dai**, Dongguan (CN)

(73) Assignee: **Dongguan Xiangshang Smart Technology Co., Ltd**, Dongguan, Guangdong (CN)

(**) Term: **15 Years**

(21) Appl. No.: **29/630,925**

(22) Filed: **Dec. 23, 2017**

(51) **LOC (12) Cl.** **13-03**

(52) **U.S. Cl.**
USPC **D13/137.2**

(58) **Field of Classification Search**
USPC D13/137.1–137.4, 138.1–138.2,
D13/139.1–139.8, 152–154, 108, 110,
D13/123, 133, 146, 147, 156, 158, 160;
D14/433, 434
CPC .. H01R 25/00; H01R 25/006; H01R 13/6675;
H01R 13/44; H01R 13/627; H01R
13/447; H01R 13/73; H01R 13/66; H01R
13/60

See application file for complete search history.

(56) **References Cited**

U.S. PATENT DOCUMENTS

D694,713 S * 12/2013 Yeo D13/137.1
D713,788 S * 9/2014 Hasegawa D13/110
D734,253 S * 7/2015 Tinaphong H02J 7/0004
D13/108
D756,303 S * 5/2016 Kellenberger D13/137.1

OTHER PUBLICATIONS

Amazon.com: YeRon Smart Plug with Energy Monitoring. Published Oct. 1, 2017. Retrieved from the internet at <https://www.annazon.com/dp/B077S5MHMX/>, Jul. 23, 2018. 1 page. (Year: 2017).*

Amazon.com: YeRon Smart Plug with energy Monitoring. Published Oct. 1, 2017. Retrieved from the internet at <https://www.amazon.com/dp/B077S5MHMX/>, Jul. 23, 2018. 1 page. (Year: 2017).

* cited by examiner

Primary Examiner — Rosemary K Tarcza
Assistant Examiner — Christy M Nemeth

(57) **CLAIM**

The ornamental design for a smart plug, as shown and described.

DESCRIPTION

FIG. 1 is a perspective view of a smart plug showing my new design;

FIG. 2 is a front elevational view thereof;

FIG. 3 is a rear elevational view thereof;

FIG. 4 is a left side elevational view thereof;

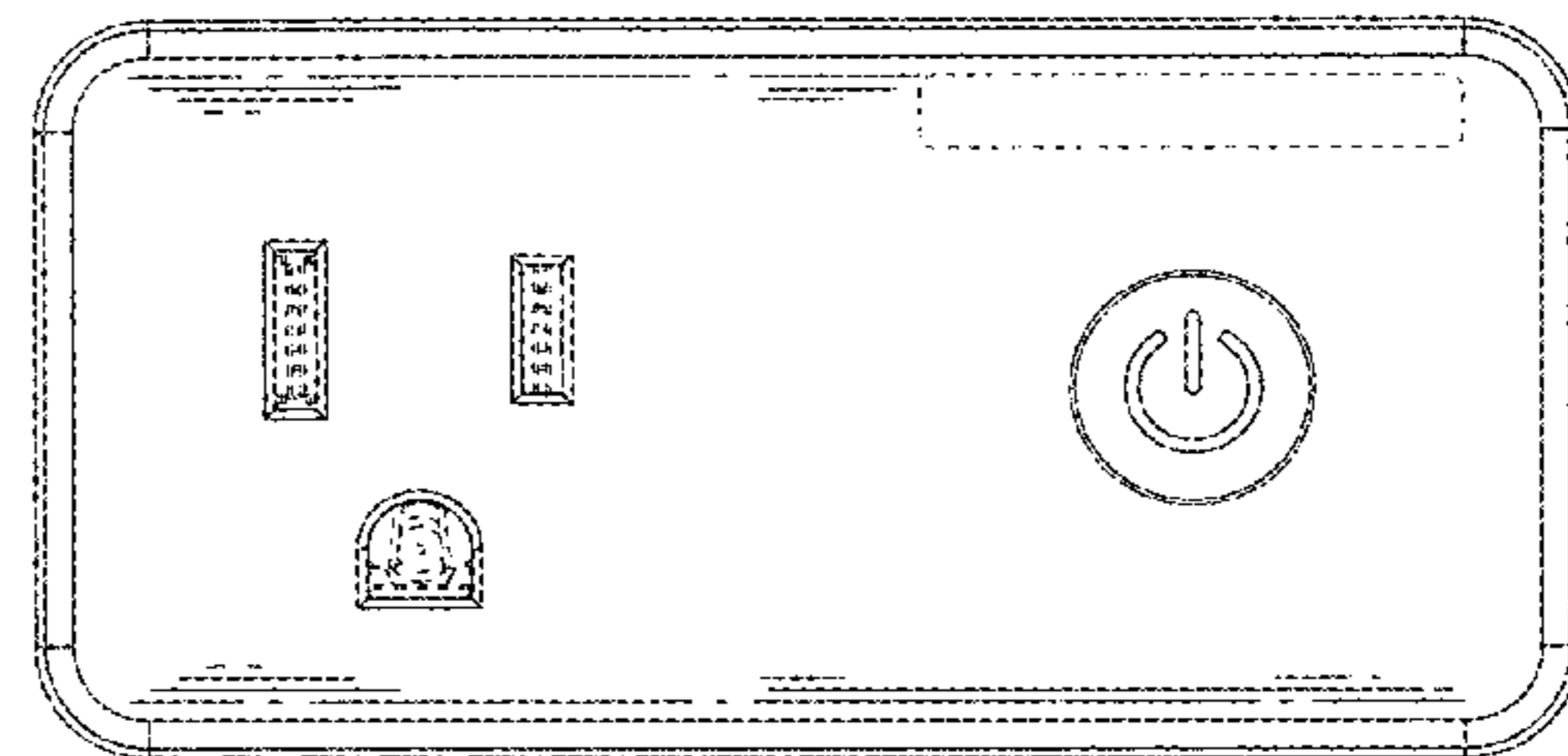
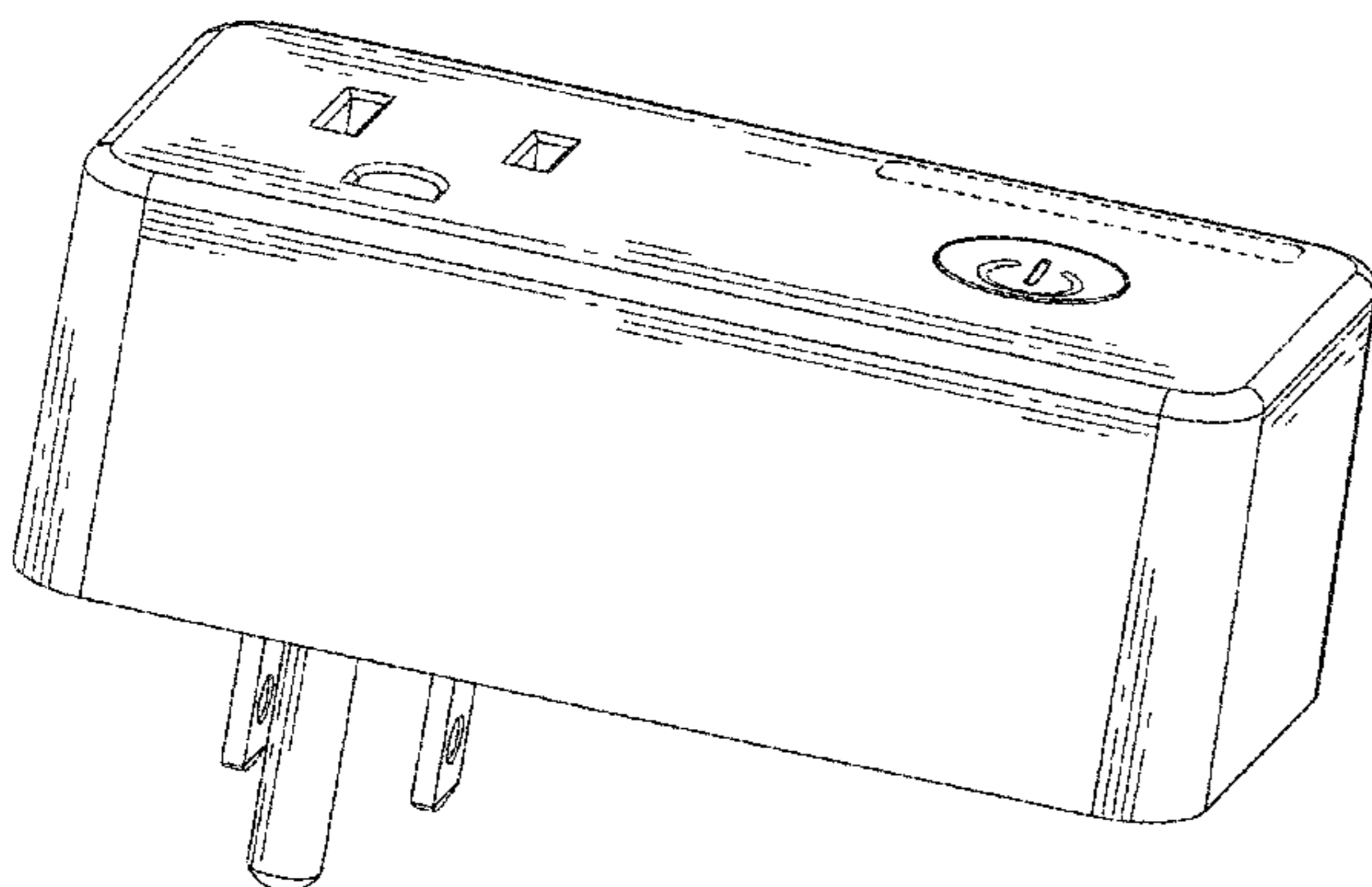
FIG. 5 is a right side elevational view thereof;

FIG. 6 is a top plan view thereof; and,

FIG. 7 is a bottom plan view thereof.

The broken lines in the drawings are for the purpose of illustrating portions of the smart plug that form no part of the claimed design.

1 Claim, 7 Drawing Sheets



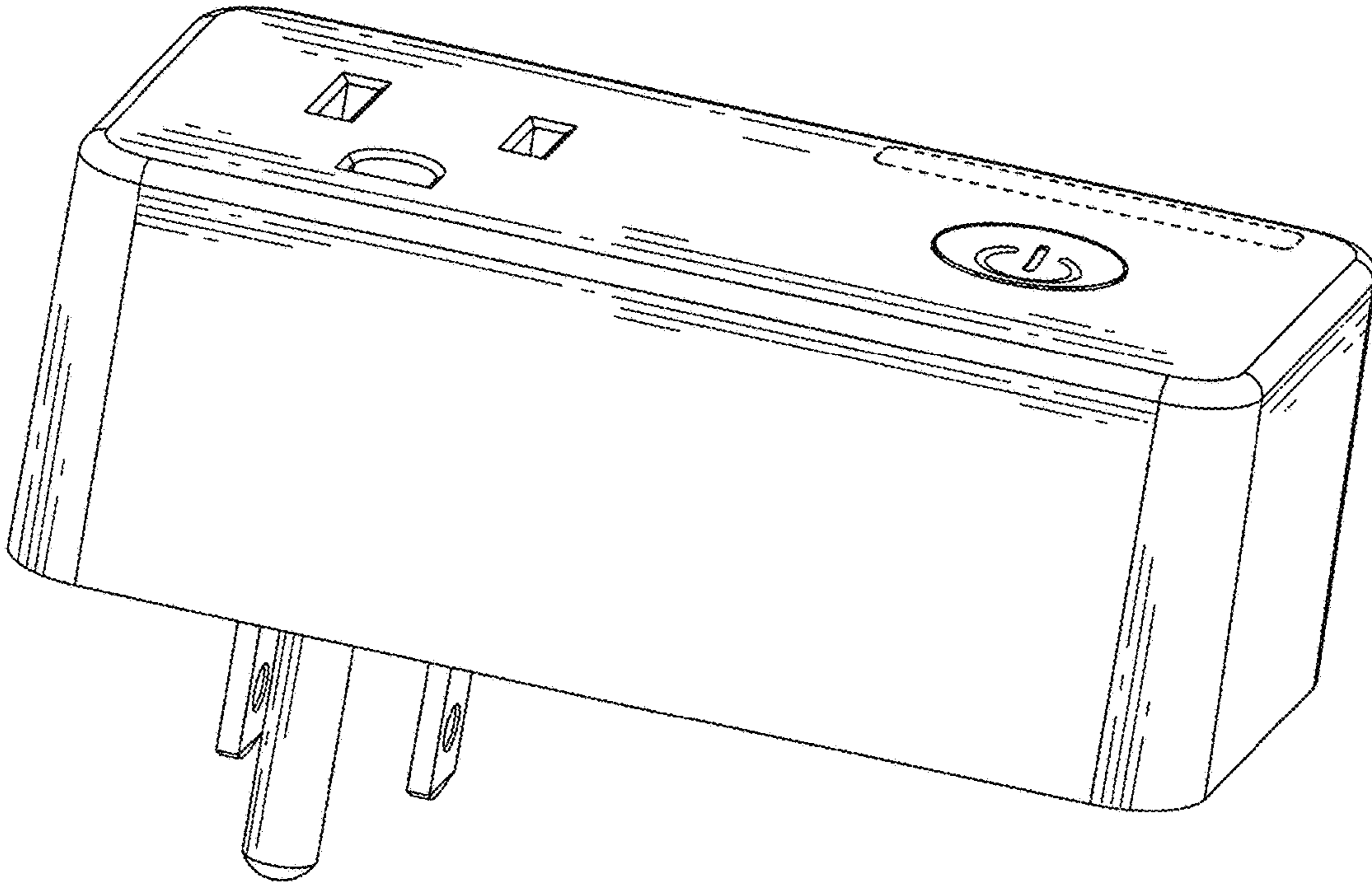


FIG.1

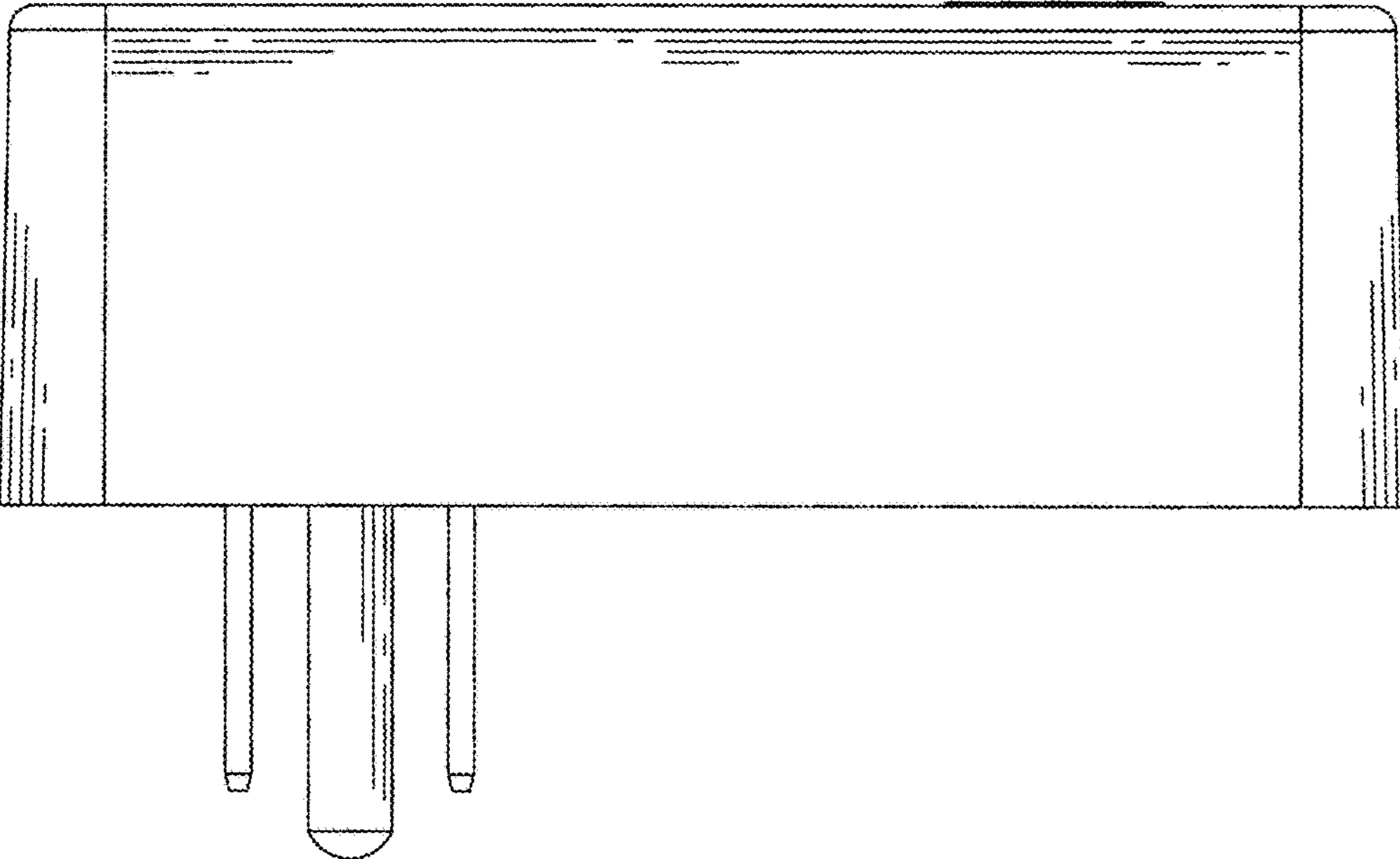


FIG.2

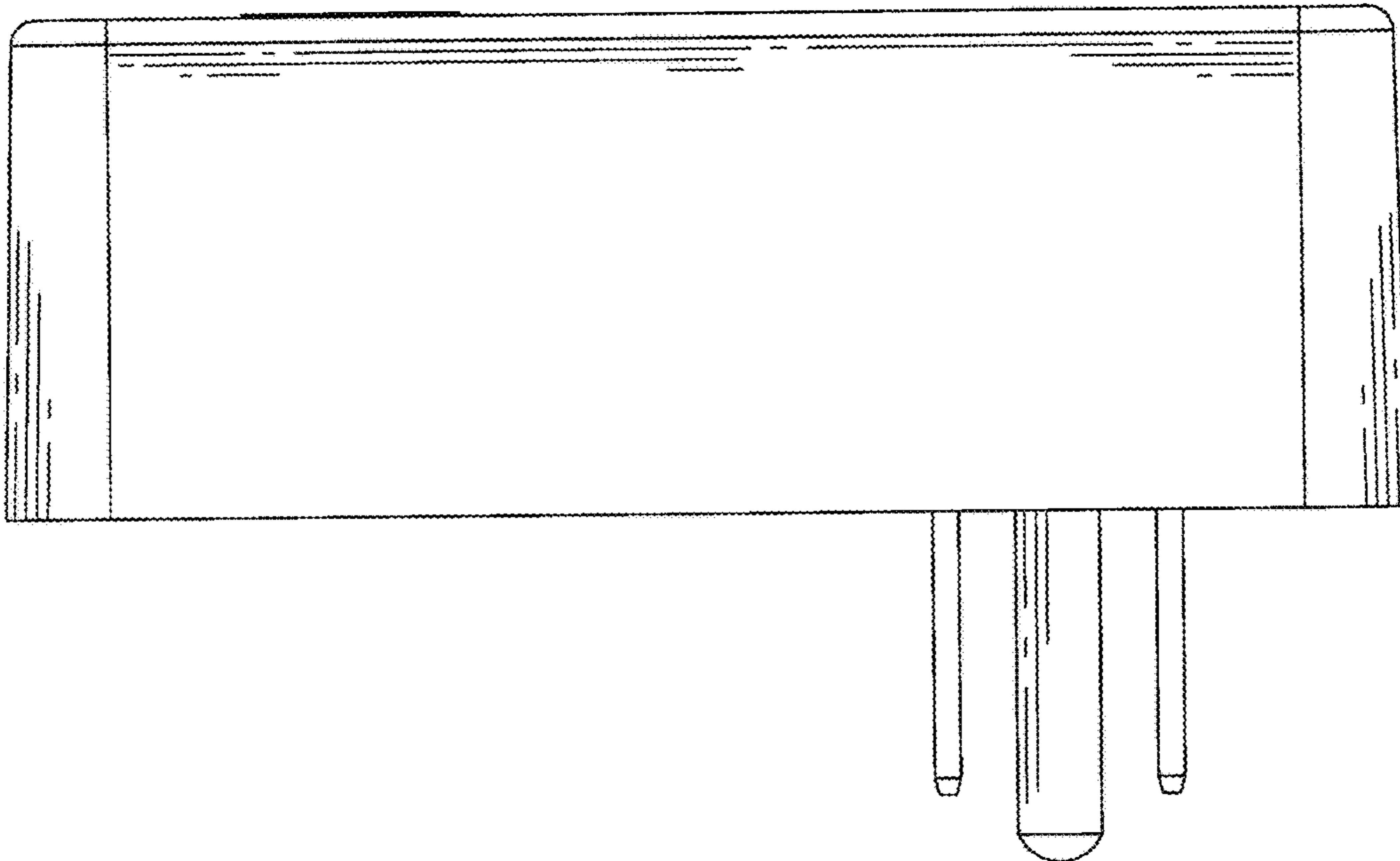


FIG.3

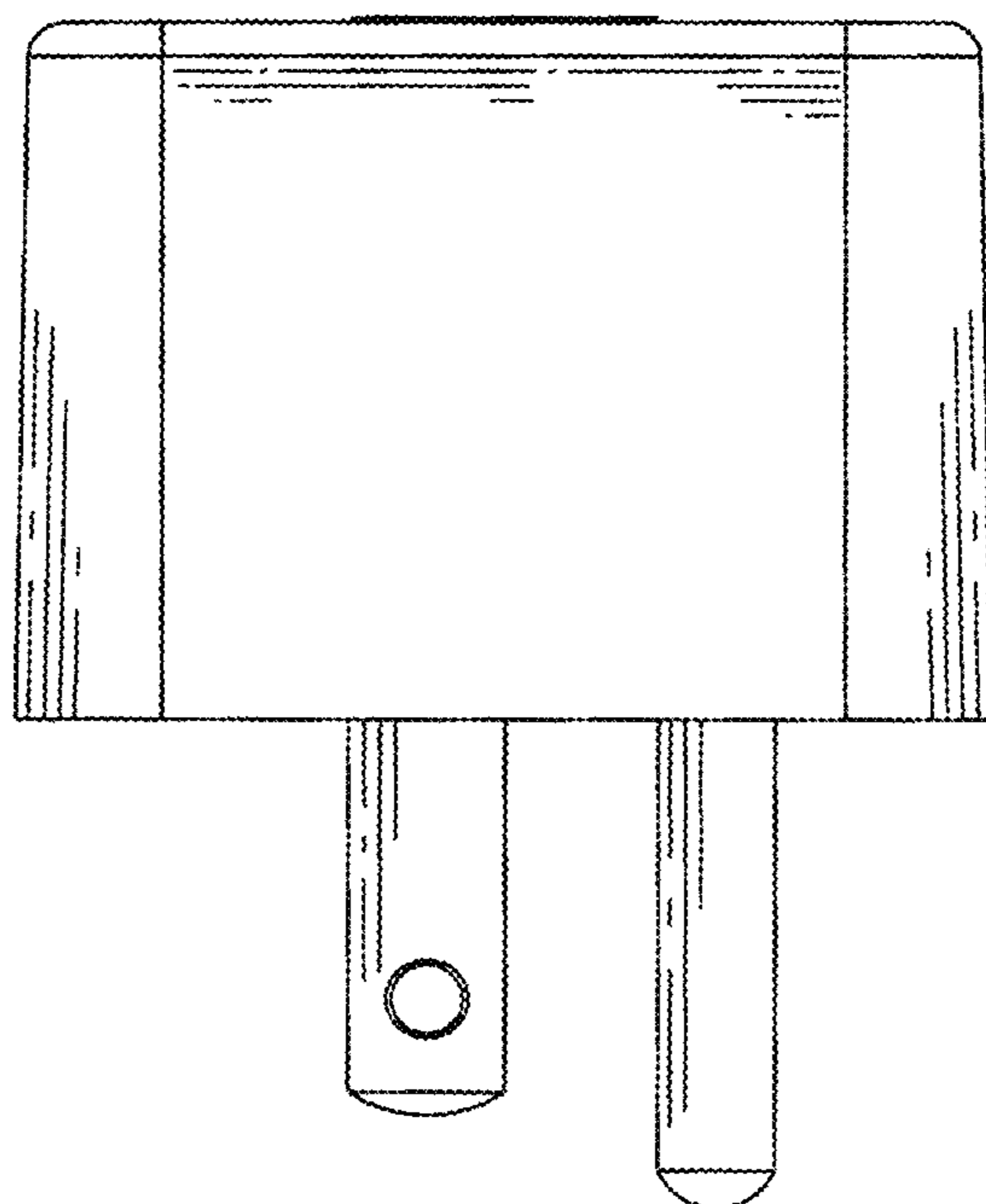


FIG.4

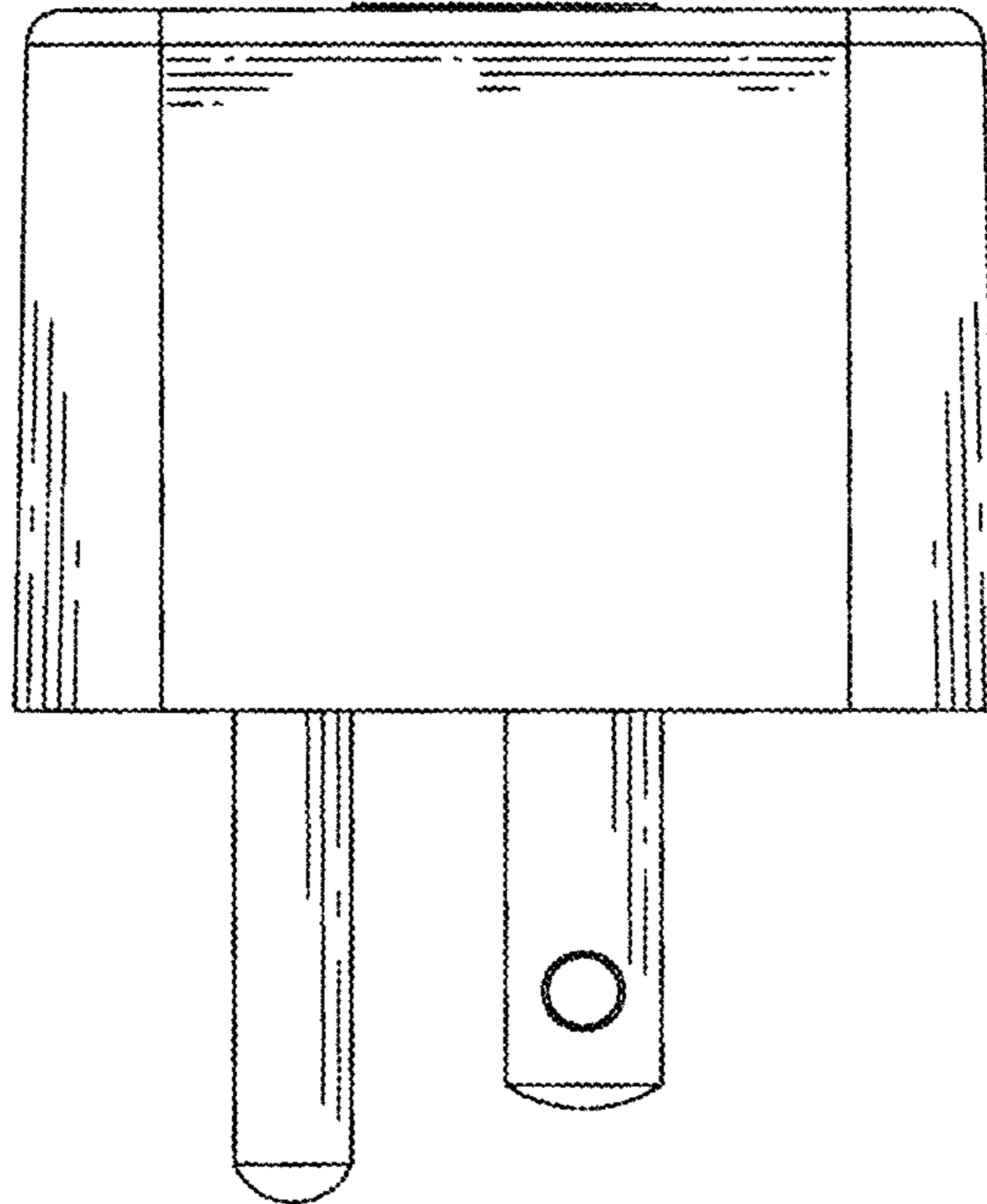


FIG.5

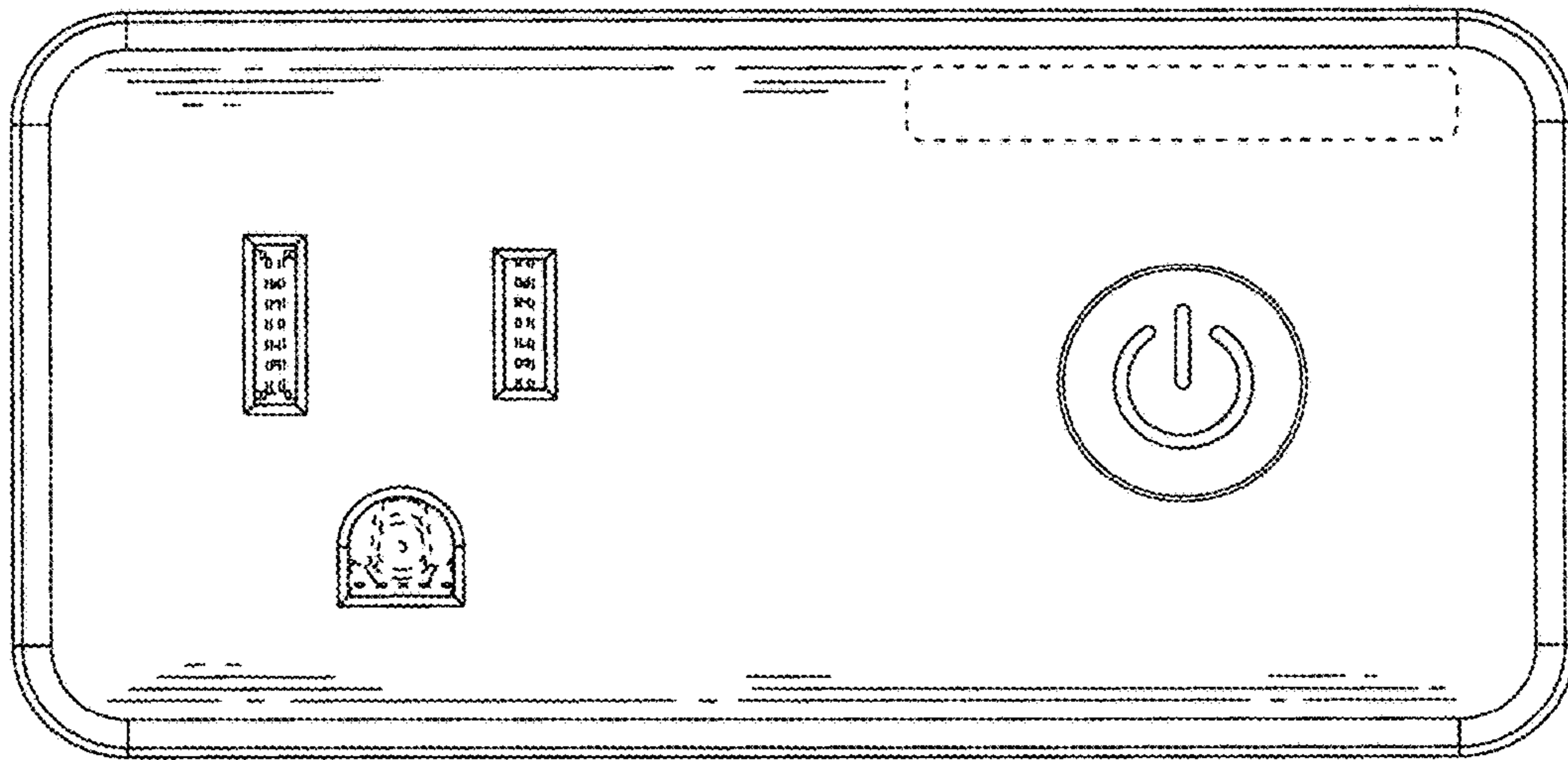


FIG. 6

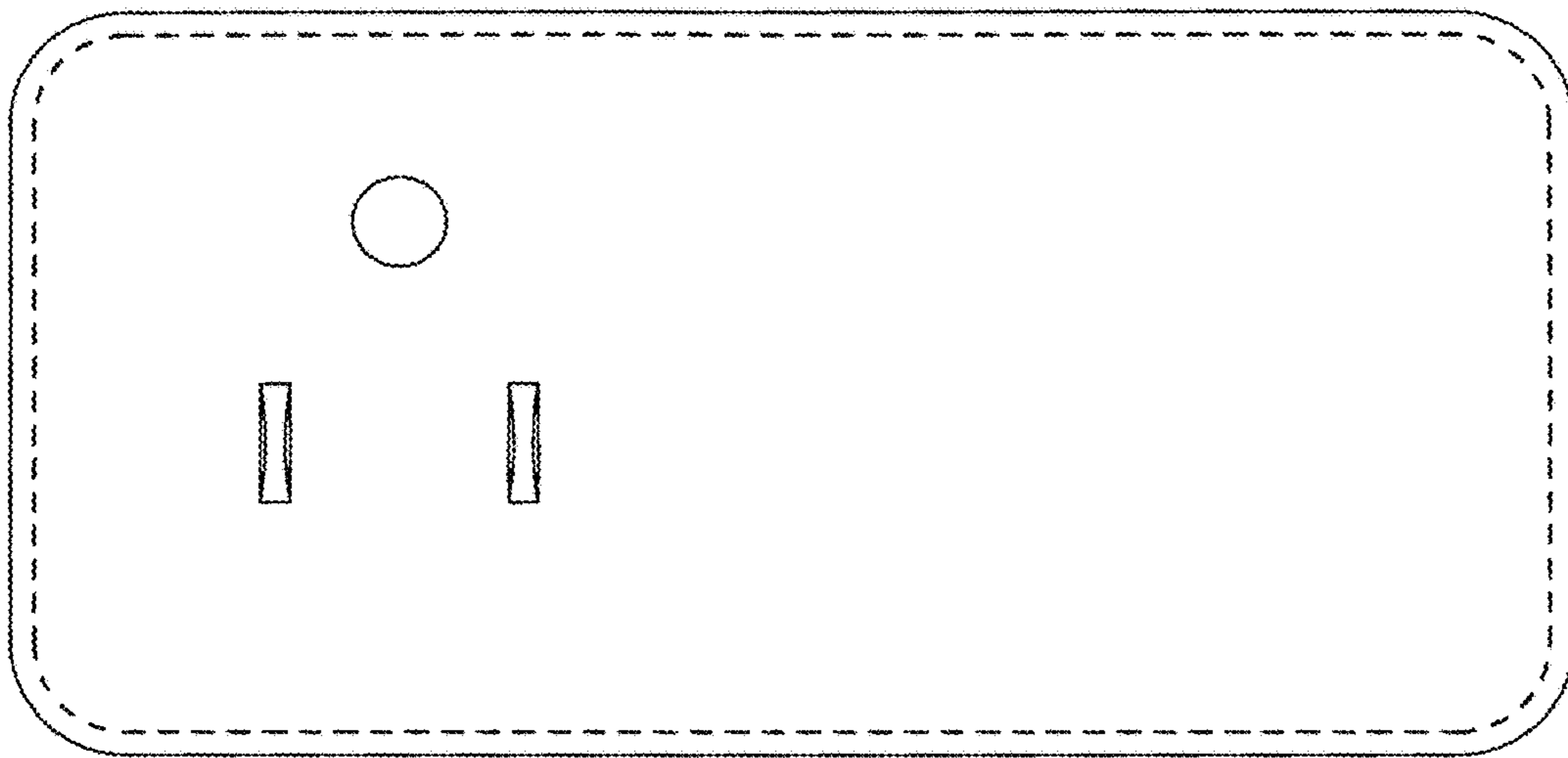


FIG. 7