



US00D861612S

(12) **United States Design Patent** (10) **Patent No.:** **US D861,612 S**
Wu et al. (45) **Date of Patent:** **** Oct. 1, 2019**

(54) **ELECTRICAL CONNECTION TERMINAL CASE**

(71) Applicants: **SWITCHLAB INC.**, New Taipei (TW); **SWITCHLAB (SHANGHAI) CO., LTD.**, Shanghai (CN)

(72) Inventors: **Chih-Yuan Wu**, New Taipei (TW); **Ming-Shan Tai**, New Taipei (TW)

(73) Assignees: **Switchlab Inc.**, New Taipei (TW); **Switchlab (Shanghai) Co., Ltd.**, Shanghai (CN)

(**) Term: **15 Years**

(21) Appl. No.: **29/624,258**

(22) Filed: **Oct. 31, 2017**

(30) **Foreign Application Priority Data**

May 8, 2017 (TW) 106302467

(51) **LOC (12) Cl.** **13-03**

(52) **U.S. Cl.**
USPC **D13/133**

(58) **Field of Classification Search**
USPC D13/107, 110, 118, 123, 133, 134, 146,
D13/147, 149, 151, 153, 154, 158-161,
D13/173, 177, 184, 199
CPC H01H 9/02; H01H 9/10; H01H 13/04;
H01H 13/06; H01H 13/10; H01H 13/14;
H01R 13/692
See application file for complete search history.

(56) **References Cited**

U.S. PATENT DOCUMENTS

3,614,364 A * 10/1971 Bedocs H01H 13/10
200/345
4,093,838 A * 6/1978 Nicol H01H 71/00
200/303

D254,667 S * 4/1980 Sare D13/160
D534,500 S * 1/2007 Yamada D13/158
D627,726 S * 11/2010 Chaillet D13/133
D718,255 S * 11/2014 Garcia D13/161
D777,109 S * 1/2017 Wu D13/146
D810,033 S * 2/2018 Otsuka D13/173
D817,896 S * 5/2018 Otsuka D13/158
10,049,846 B2 * 8/2018 Brakefield H01H 85/143
D830,315 S * 10/2018 Otsuka D13/158
2013/0023156 A1 * 1/2013 von zur Muehlen
H01H 85/202
439/620.26
2014/0127932 A1 * 5/2014 Hoppmann H01R 4/4827
439/370
2015/0206670 A1 * 7/2015 Shiraishi H01H 13/06
200/402
2018/0005776 A1 * 1/2018 Otsuka H01H 13/04
2018/0166227 A1 * 6/2018 Comtois H01H 9/08

* cited by examiner

Primary Examiner — Angela J Lee

Assistant Examiner — Shawn T Gingrich

(74) *Attorney, Agent, or Firm* — Rosenberg, Klein & Lee

(57) **CLAIM**

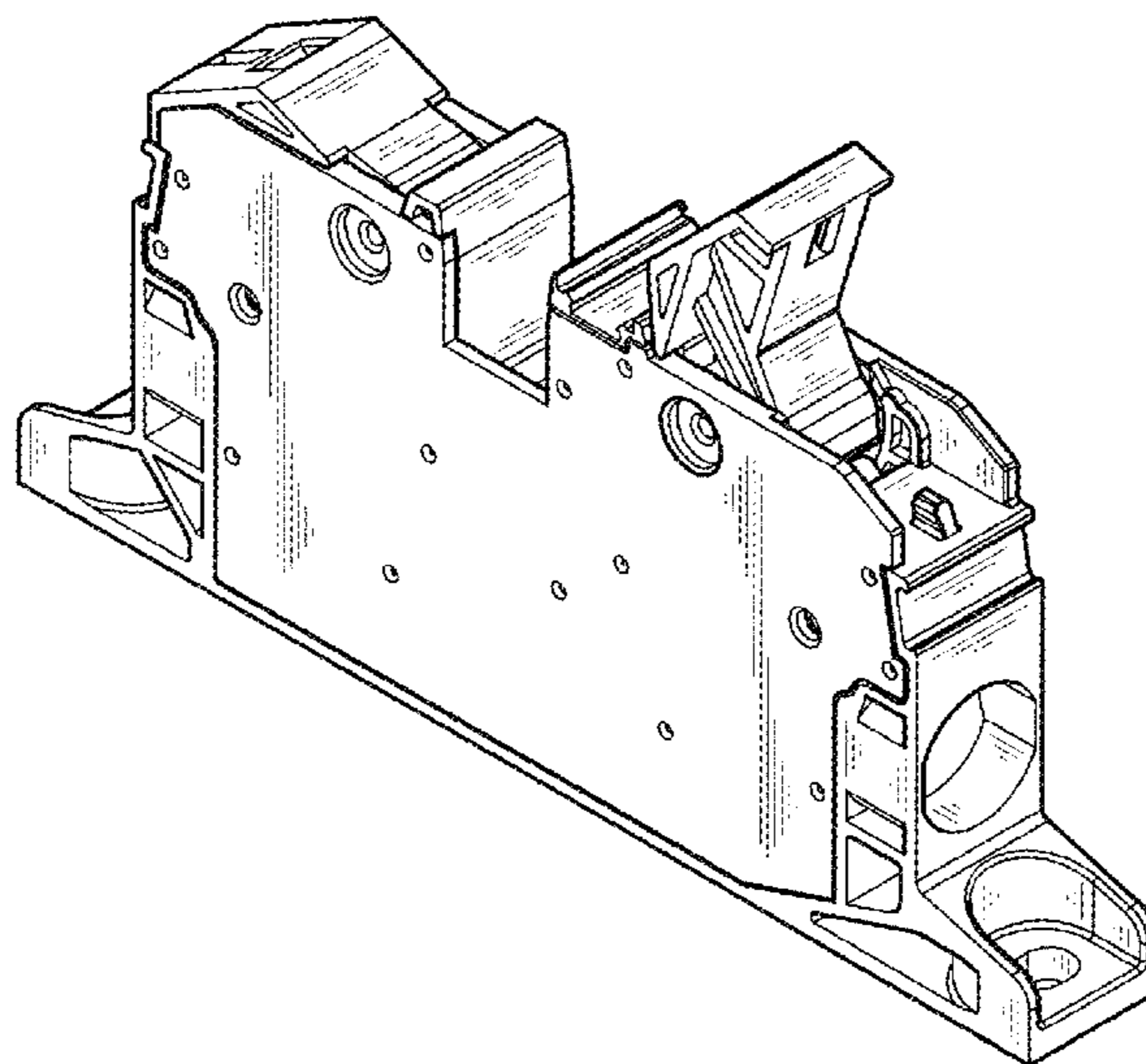
The ornamental design for electrical connection terminal case, as shown and described.

DESCRIPTION

FIG. 1 is a front side perspective view showing our new design for electrical connection terminal case; FIG. 2 is a front elevational view thereof; FIG. 3 is a rear elevational view thereof; FIG. 4 is a left side elevational view thereof; FIG. 5 is a right side elevational view thereof; FIG. 6 is a top view thereof; and, FIG. 7 is a bottom view thereof.

The broken lines in the drawings illustrate portions of the electrical connector terminal case that form no part of the claimed design.

1 Claim, 7 Drawing Sheets



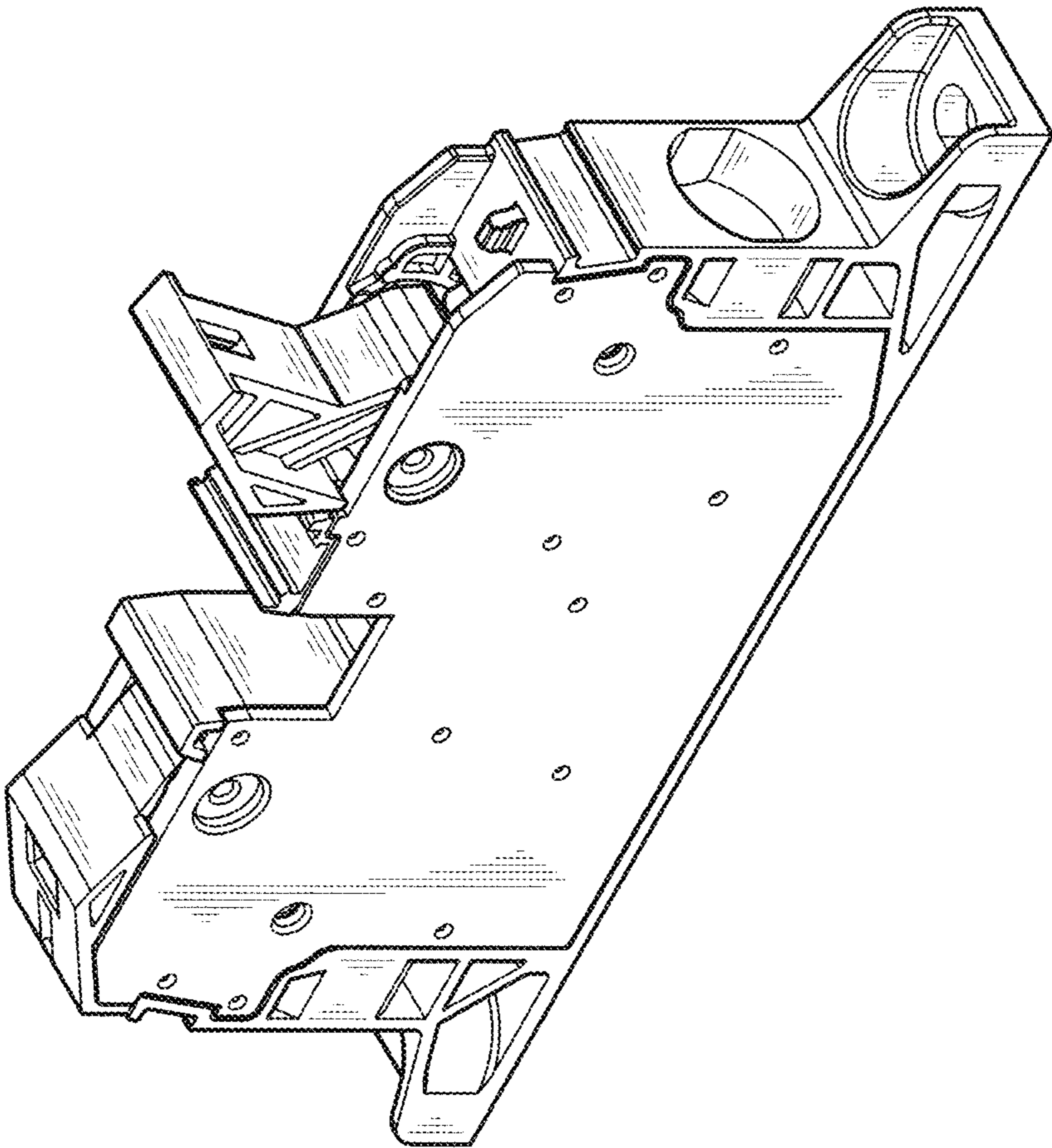


Fig. 1

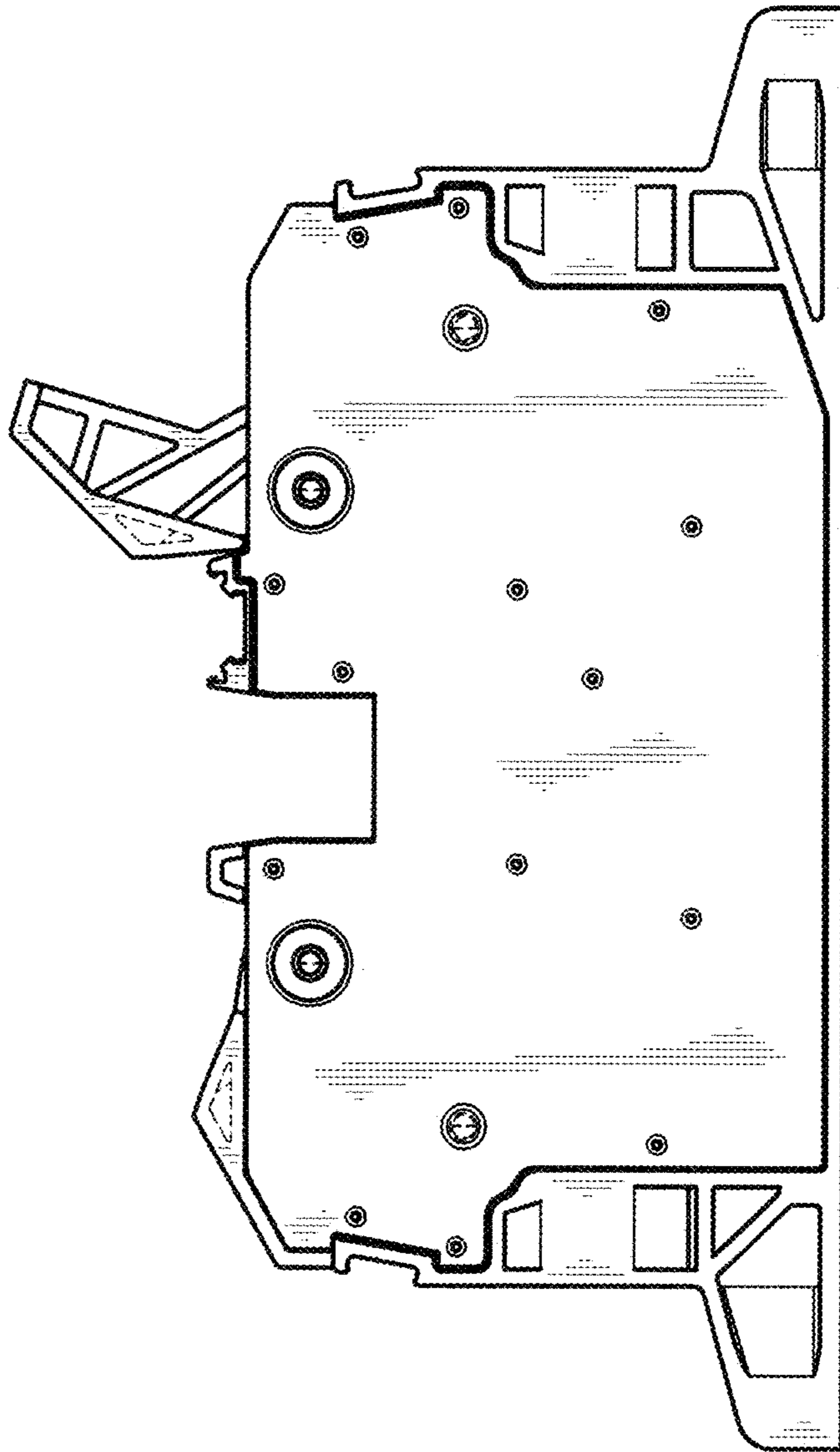


Fig. 2

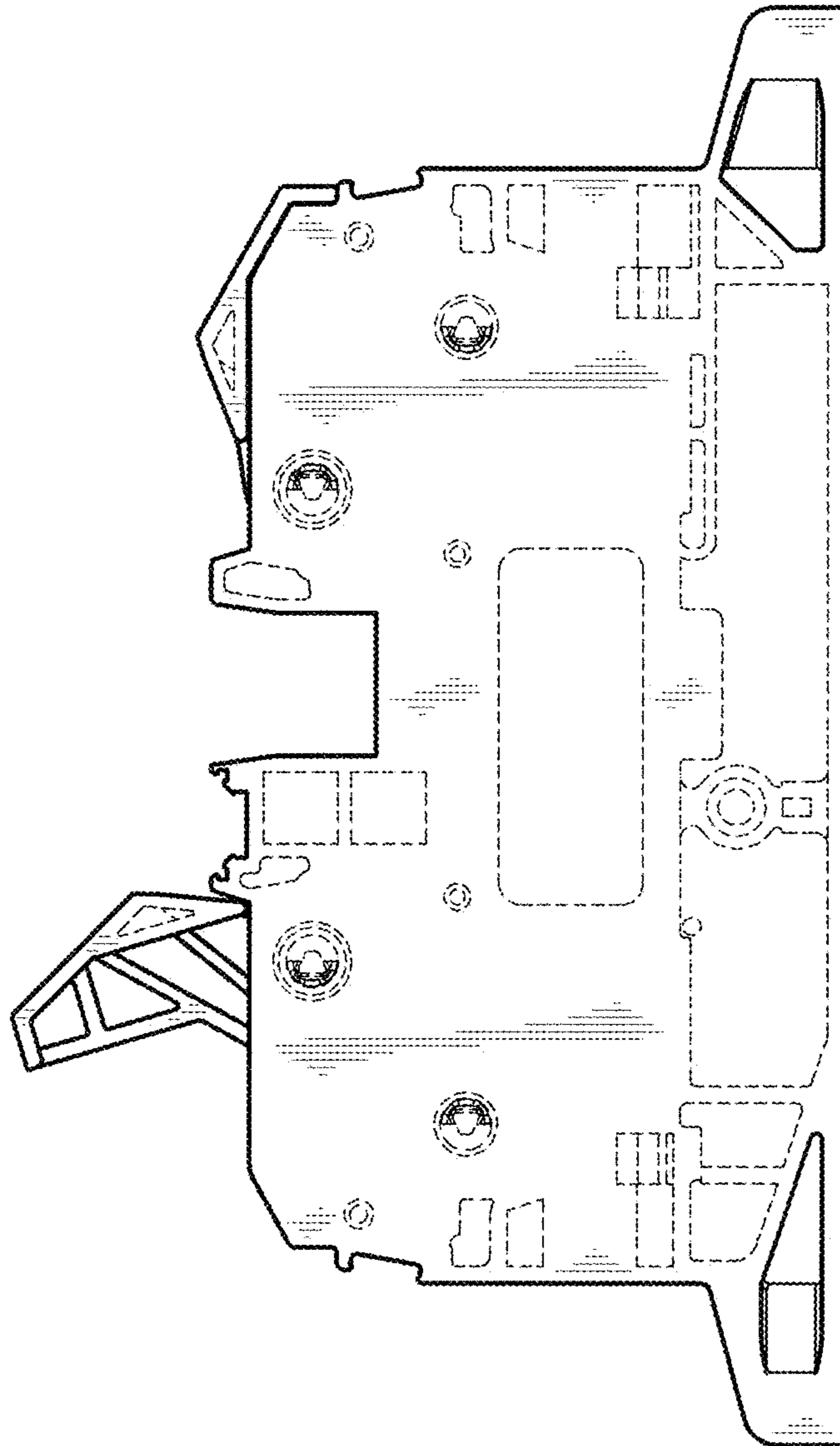


Fig. 3

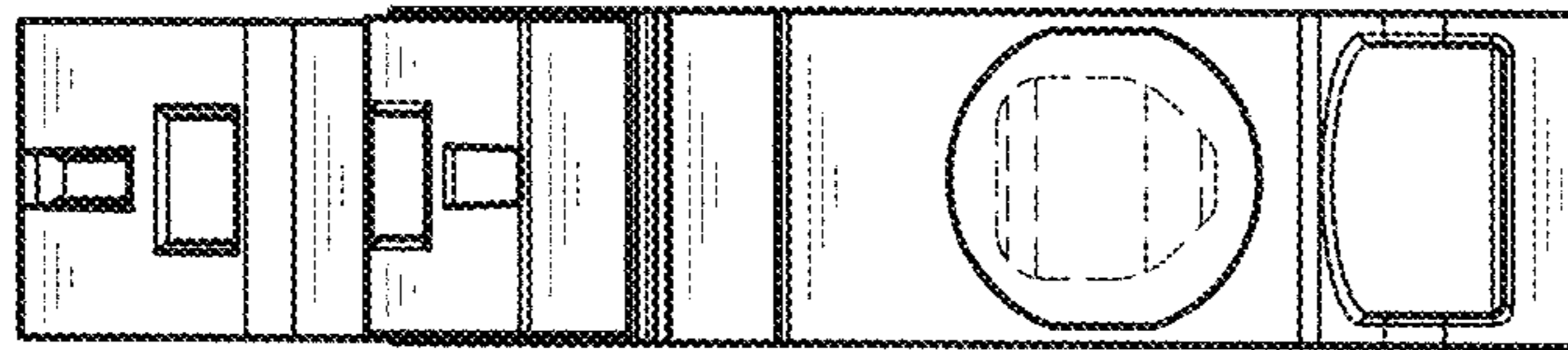


Fig. 4

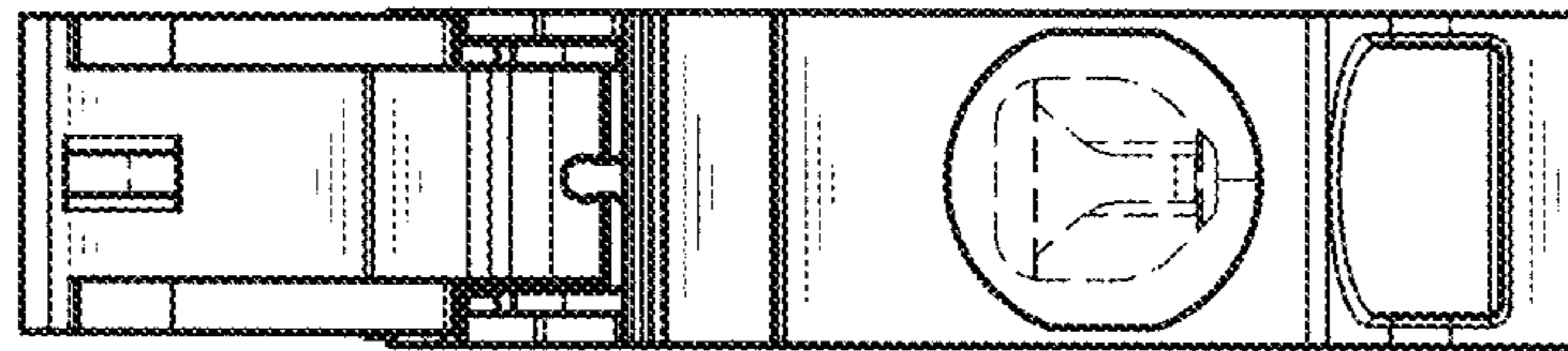


Fig. 5

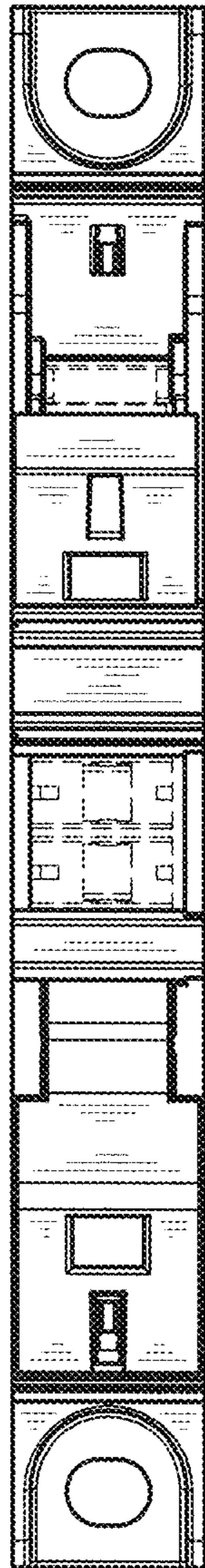


Fig. 6



Fig. 7