



US00D861611S

(12) **United States Design Patent** (10) **Patent No.:** **US D861,611 S**
Wang (45) **Date of Patent:** **** Oct. 1, 2019**

(54) **PLUG CONNECTOR USED FOR POWER TRANSMISSION**

(71) Applicant: **FOXCONN INTERCONNECT TECHNOLOGY LIMITED**, Grand Cayman (KY)

(72) Inventor: **Qiang Wang**, Kunshan (CN)

(73) Assignee: **FOXCONN INTERCONNECT TECHNOLOGY LIMITED**, Grand Cayman (KY)

(**) Term: **15 Years**

(21) Appl. No.: **29/609,717**

(22) Filed: **Jul. 5, 2017**

(30) **Foreign Application Priority Data**

Jan. 5, 2017 (CN) 2017 3 0003300

(51) **LOC (12) Cl.** **13-03**

(52) **U.S. Cl.**
USPC **D13/133**

(58) **Field of Classification Search**
USPC D13/108, 110, 123, 133, 137.1–137.4, D13/138.1–138.2, 139.1–139.8, 152–154, D13/146, 147, 156, 158, 177, 184, 199; D14/432, 433, 435.1; D8/350–353, 356; D25/102, 122, 124; D26/74
CPC H01R 11/00; H01R 9/00; H01R 25/00; H01R 25/006; H01R 13/6675; H01R 13/44; H01R 13/627; H01R 13/447; H01R 13/73; H01R 13/66; H01R 13/60; H01R 13/5845; H01R 13/72; H01R 13/46; H01R 31/065; H01R 31/06; H01R 24/28; H01R 27/00; H02J 2007/0062; H01B 7/2806; F21S 8/02; F21V 23/00; F21V 23/01; F16J 13/10; F16B 5/02; F16L 3/12; H02S 40/34; H02S 30/10
See application file for complete search history.

(56) **References Cited**

U.S. PATENT DOCUMENTS

D452,475 S *	12/2001	Reynolds	D13/110
D552,034 S *	10/2007	Hobson	D13/133
D558,679 S *	1/2008	Chen	D13/147
D558,680 S *	1/2008	Chen	D13/147
D563,891 S *	3/2008	Dever	D13/147
D610,983 S *	3/2010	Wai	D13/108
D639,248 S *	6/2011	Thornton	D13/139.1
D673,120 S *	12/2012	Lyford	D13/133
D768,087 S *	10/2016	Halpern	D13/154
D768,088 S *	10/2016	Halpern	D13/154
D796,514 S *	9/2017	Xu	D14/433
D797,747 S *	9/2017	Xu	D14/433
D826,014 S *	8/2018	Stalter	D8/21
D835,033 S *	12/2018	Sorias	D13/108

* cited by examiner

Primary Examiner — Rosemary K Tarcza

Assistant Examiner — Christy M Nemeth

(74) *Attorney, Agent, or Firm* — Wei Te Chung; Ming Chieh Chang

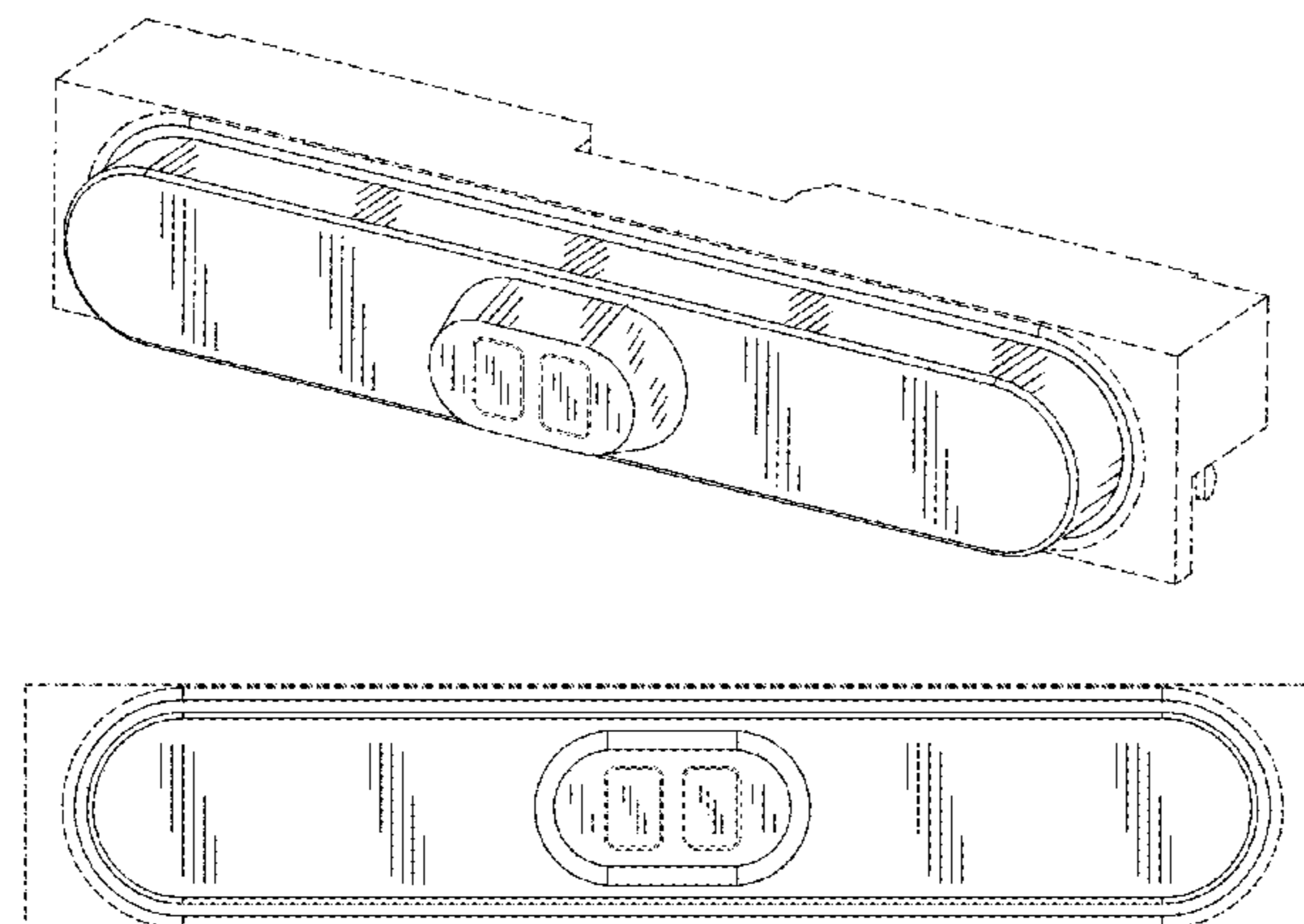
(57) **CLAIM**

The ornamental design for a plug connector used for power transmission, as shown and described.

DESCRIPTION

FIG. 1 is a perspective view of a plug connector used for power transmission showing my new design; FIG. 2 is a front elevational view thereof; FIG. 3 is a left side elevational view thereof; FIG. 4 is a right side elevational view thereof; FIG. 5 is a top plan view thereof; and, FIG. 6 is a bottom plan view thereof. The broken lines in the drawings are used for the purpose of illustrating portions of the plug connector that form no part of the claimed design.

1 Claim, 6 Drawing Sheets



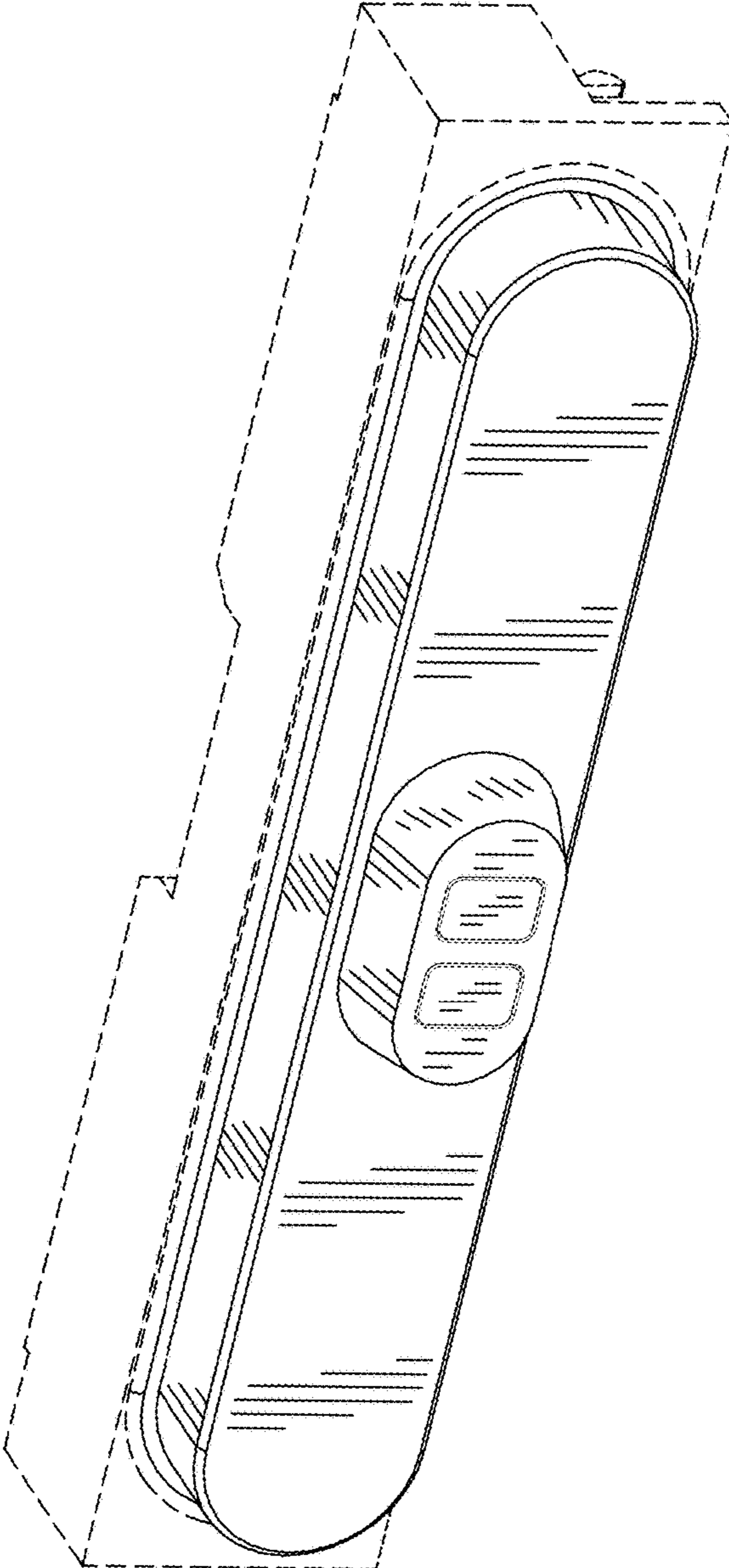


FIG. 1

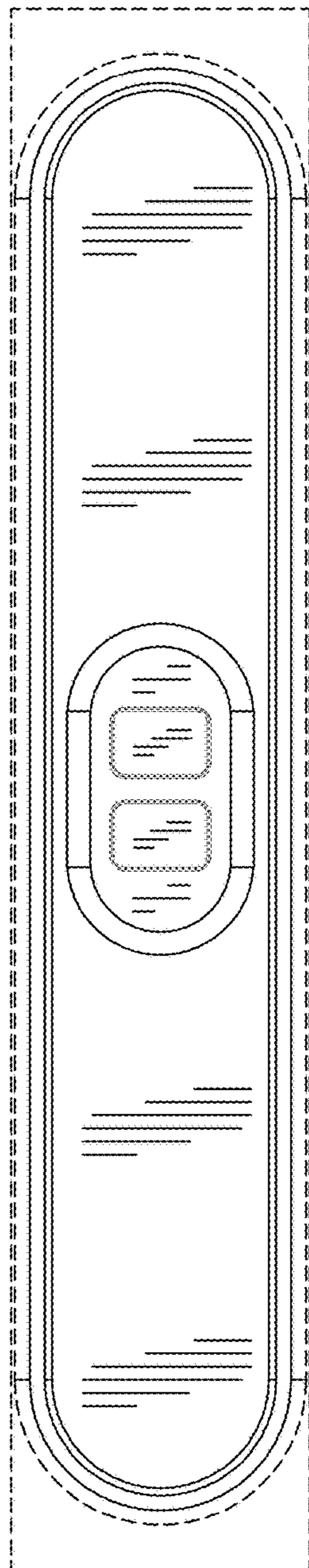


FIG. 2

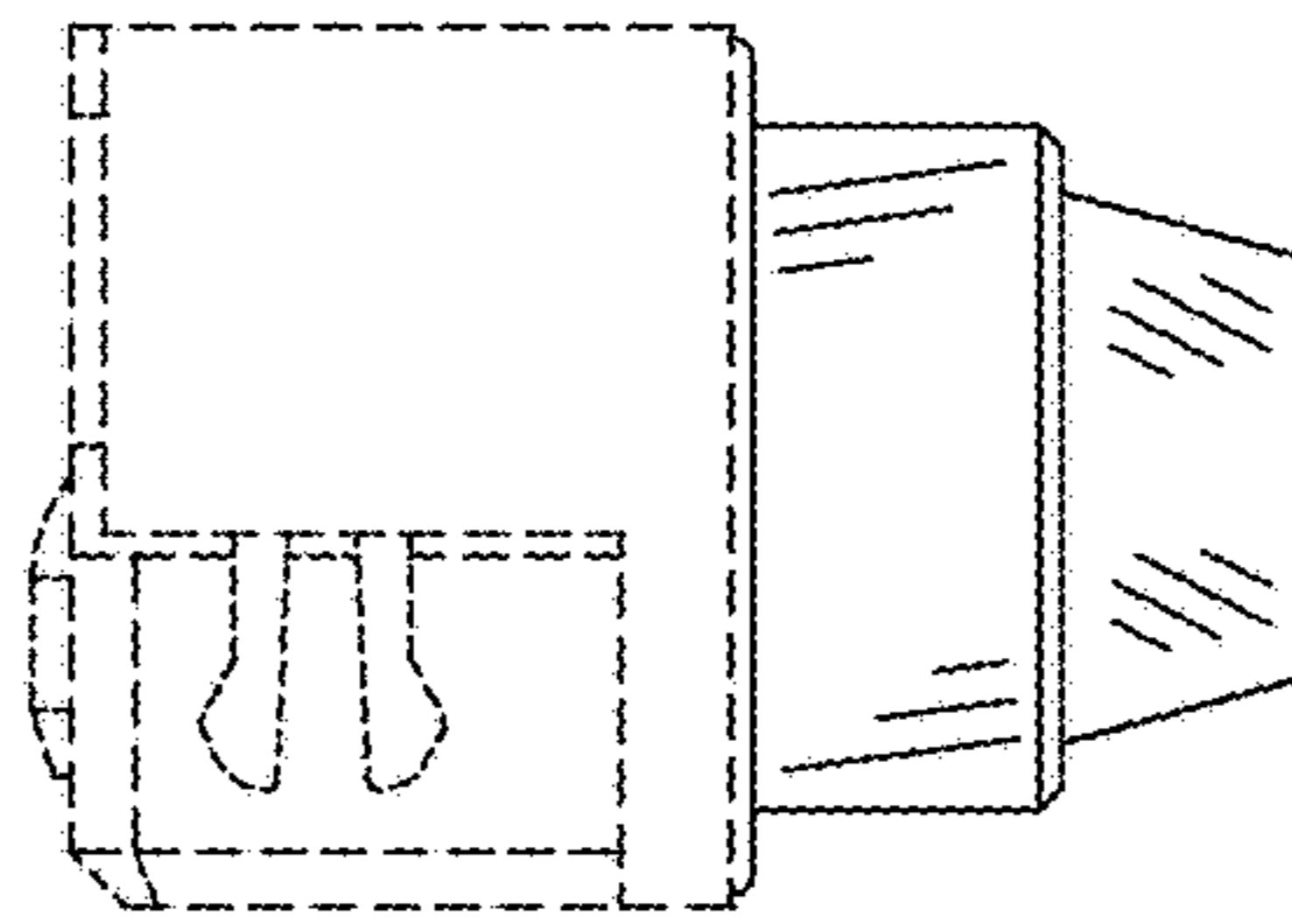


FIG. 3

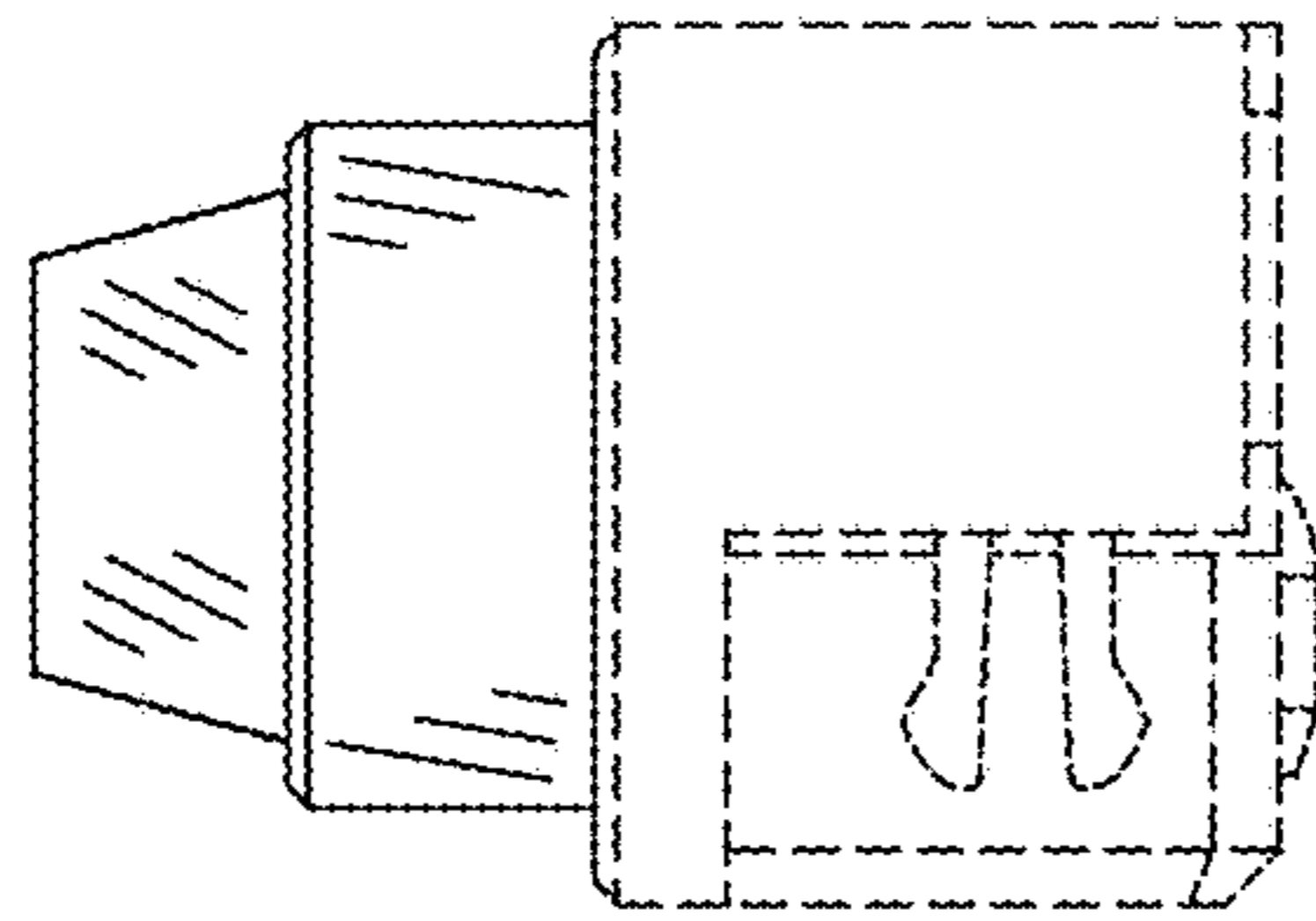


FIG. 4

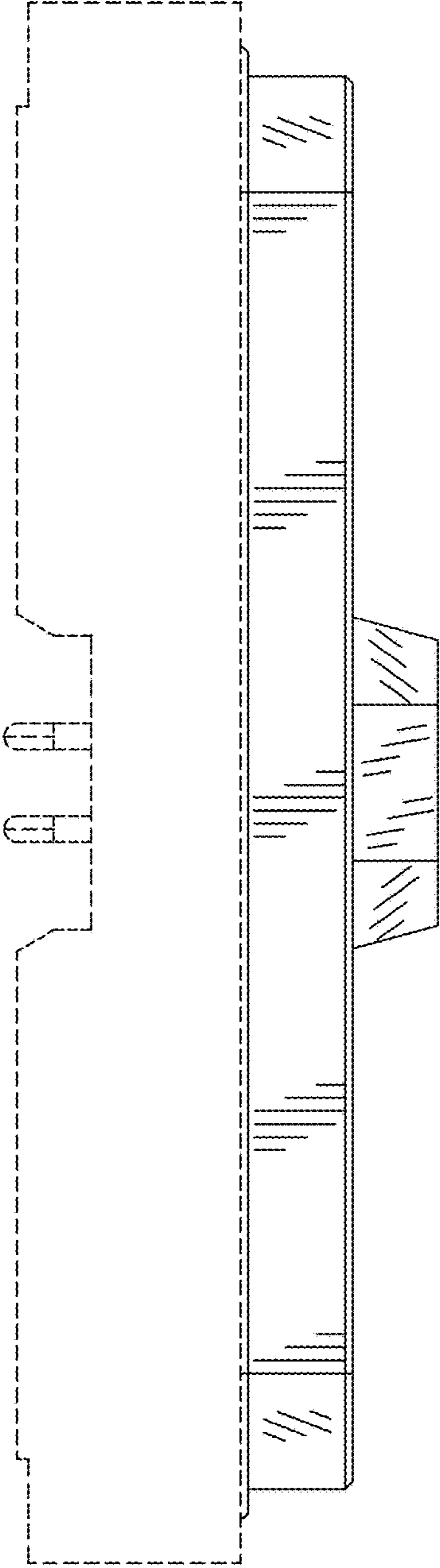


FIG. 5

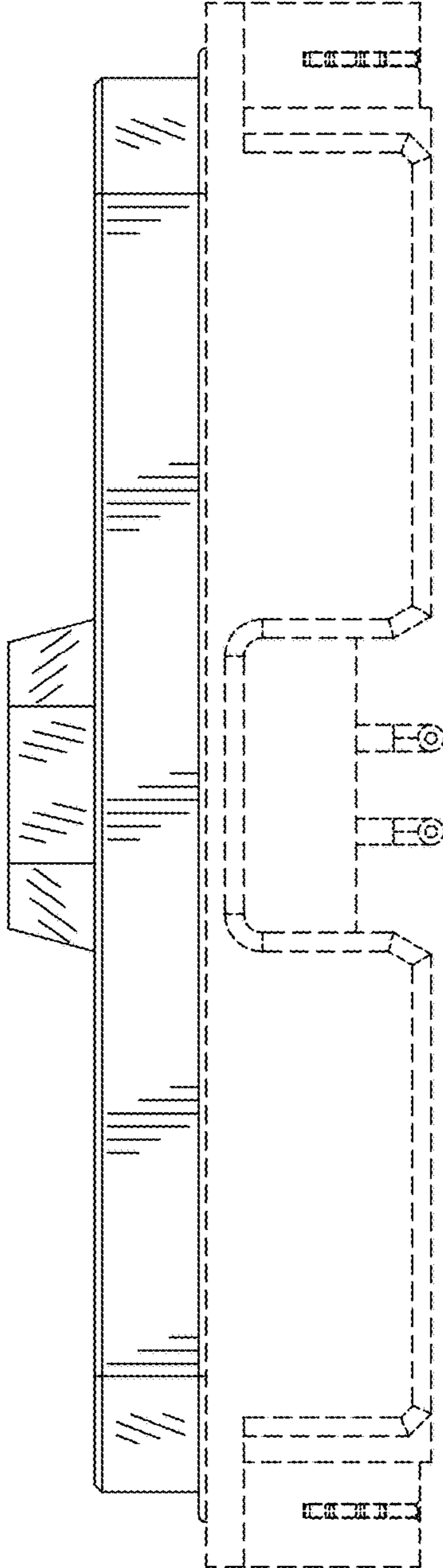


FIG. 6